



US00D997202S

(12) **United States Design Patent** (10) **Patent No.:** **US D997,202 S**  
**McNew et al.** (45) **Date of Patent:** **\*\* Aug. 29, 2023**

(54) **DISPLAY SCREEN OR PORTION THEREOF WITH GRAPHICAL USER INTERFACE**

(71) Applicant: **Toyota Motor Engineering & Manufacturing North America, Inc.**, Plano, TX (US)

(72) Inventors: **John-Michael McNew**, Ann Arbor, MI (US); **Varun J. Prabhakar**, Saline, MI (US); **Camron Sackett**, Bountiful, UT (US)

(73) Assignee: **Toyota Motor Engineering & Manufacturing North America, Inc.**, Plano, TX (US)

(\*\*) Term: **15 Years**

(21) Appl. No.: **29/786,571**

(22) Filed: **Jun. 1, 2021**

(51) **LOC (14) Cl.** ..... **14-04**

(52) **U.S. Cl.**  
USPC ..... **D14/492**

(58) **Field of Classification Search**  
USPC ..... D14/485-95  
CPC .... G06F 3/048; G06F 3/0481; G06F 3/04812; G06F 3/04815; G06F 3/04817; G06F 3/0482; G06F 3/0483; G06F 3/0484; G06F 3/04842; G06F 3/04845; G06F 3/04847; G06F 3/0485; G06F 3/0486; G06F 3/0487; G06F 3/0488; G06F 3/04883; G06F 3/04886; G06F 3/0489; G06F 3/04892; G06F 3/04895; G06F 3/04897

See application file for complete search history.

(56) **References Cited**

**U.S. PATENT DOCUMENTS**

D568,336 S \* 5/2008 Miglietta ..... D14/492  
D712,421 S \* 9/2014 Inose ..... D14/486

D730,923 S 6/2015 Mariet et al.  
D759,056 S \* 6/2016 Inoue ..... D14/485  
D774,523 S \* 12/2016 Agee ..... D14/485  
D774,524 S \* 12/2016 Agee ..... D14/485  
D800,143 S \* 10/2017 Inose ..... D14/485  
D801,392 S \* 10/2017 Anzures ..... D14/492  
D802,607 S \* 11/2017 Apodaca ..... D14/485  
D806,105 S \* 12/2017 Dell ..... D14/486  
D809,532 S \* 2/2018 Kato ..... D14/485  
D809,533 S \* 2/2018 Kato ..... D14/485  
D819,695 S 6/2018 Rowe et al.  
D820,312 S 6/2018 Rowe et al.  
D820,314 S 6/2018 Rowe et al.  
D823,864 S 7/2018 Thoreson et al.  
D834,065 S \* 11/2018 Takeuchi ..... D14/492

(Continued)

**OTHER PUBLICATIONS**

<https://www.iconfinder.com/iconsets/top-view-cars> (Year: 2018).\*  
(Continued)

*Primary Examiner* — Melanie H Tung  
(74) *Attorney, Agent, or Firm* — Dinsmore & Shohl LLP

(57) **CLAIM**

The ornamental design for a display screen or portion thereof with graphical user interface, as shown and described.

**DESCRIPTION**

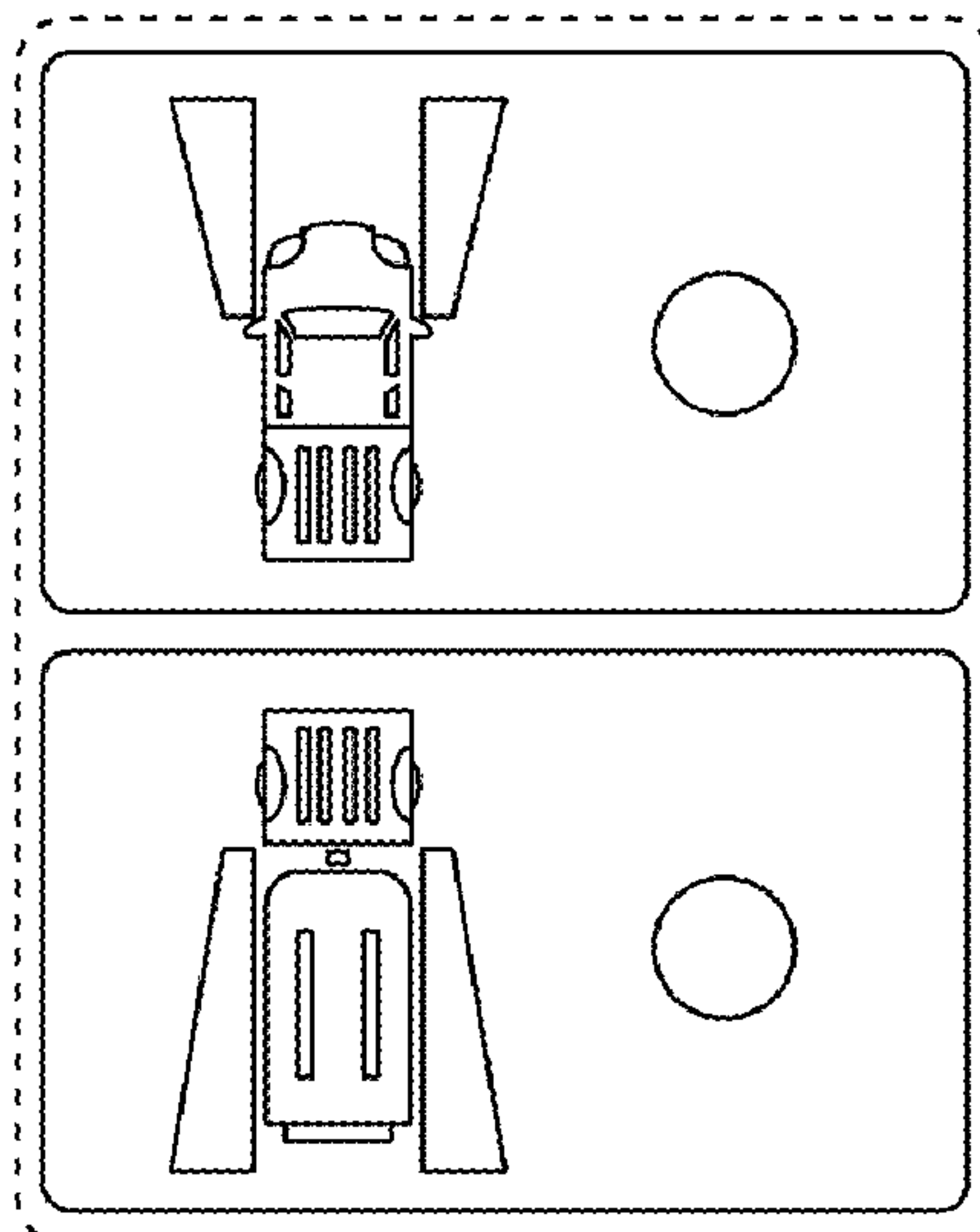
FIG. 1 is a front view of a display screen or portion thereof with graphical user interface showing the claimed design; and,

FIG. 2 is a second image thereof.

The outermost dashed lines in FIGS. 1 and 2 show a display screen or portion thereof and form no part of the claimed design.

The appearance of the animated image sequentially transitions between the images shown in FIGS. 1 and 2. The process or period in which one image transitions to another form no part of the claimed design.

**1 Claim, 2 Drawing Sheets**



(56)

**References Cited**

U.S. PATENT DOCUMENTS

D837,232	S	*	1/2019	Mariet	.....	D14/491
D838,283	S	*	1/2019	Buchter	.....	D14/485
D839,891	S	*	2/2019	Buchter	.....	D14/485
D842,898	S	*	3/2019	Takeuchi	.....	D14/492
D846,595	S	*	4/2019	Swanson	.....	D14/492
D849,023	S	*	5/2019	Buchter	.....	D14/485
D849,024	S	*	5/2019	Buchter	.....	D14/485
D849,776	S	*	5/2019	Bassett	.....	D14/492
D882,591	S		4/2020	Xue et al.		
D884,010	S	*	5/2020	Lenz, Jr.	.....	D14/486
D893,533	S		8/2020	Wheeler et al.		
D908,721	S	*	1/2021	Araki	.....	D14/486
D916,919	S	*	4/2021	Lindberg	.....	D14/492
D941,336	S	*	1/2022	Fabrello Lumbroso	.....	D14/492

OTHER PUBLICATIONS

<https://depositphotos.com/81846996/stock-illustration-car-icons-top-view.html> (Year: 2015).\*

<https://depositphotos.com/86022116/stock-illustration-cars-thin-line-icons-top.html> (Year: 2015).\*

\* cited by examiner

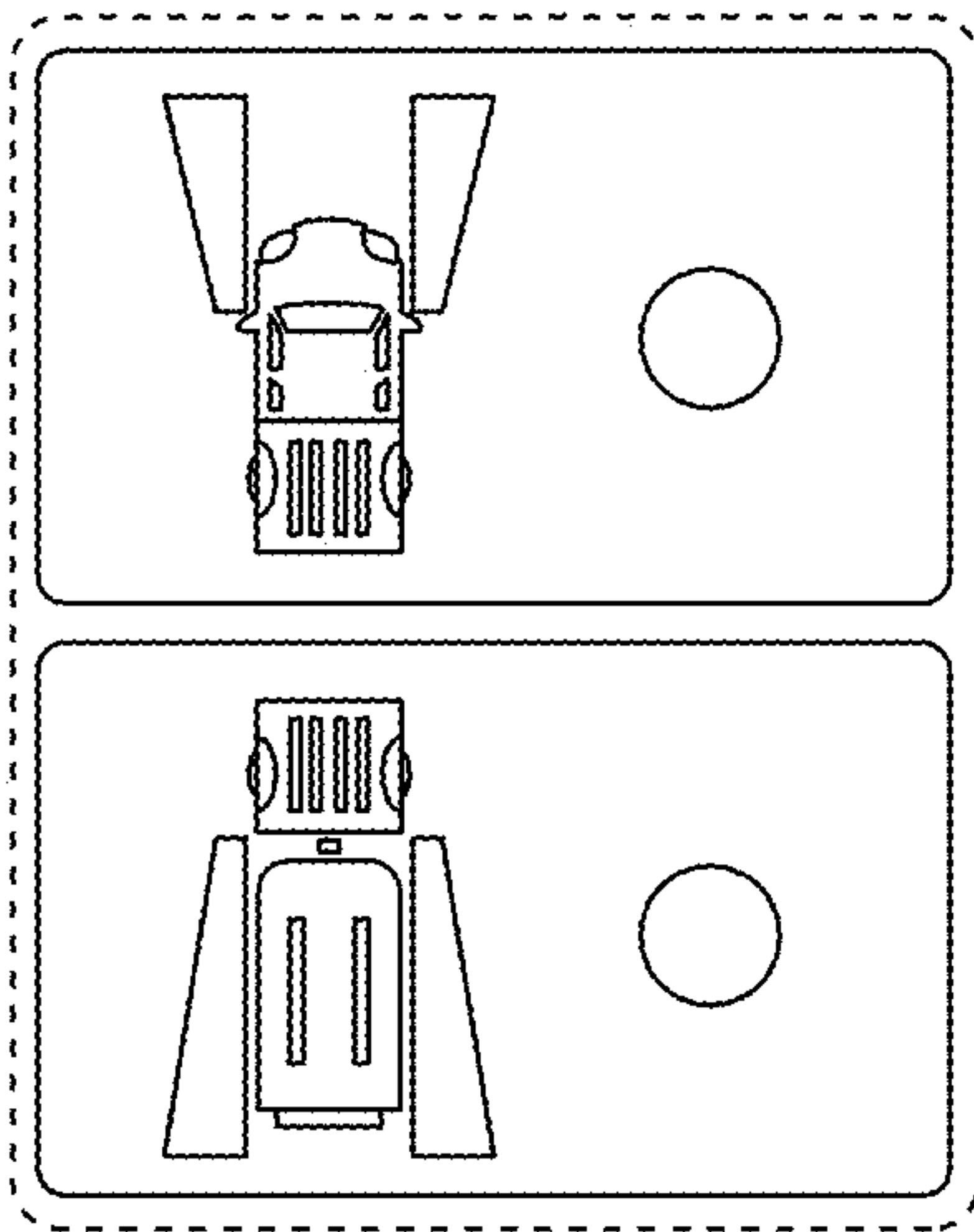


FIG. 1

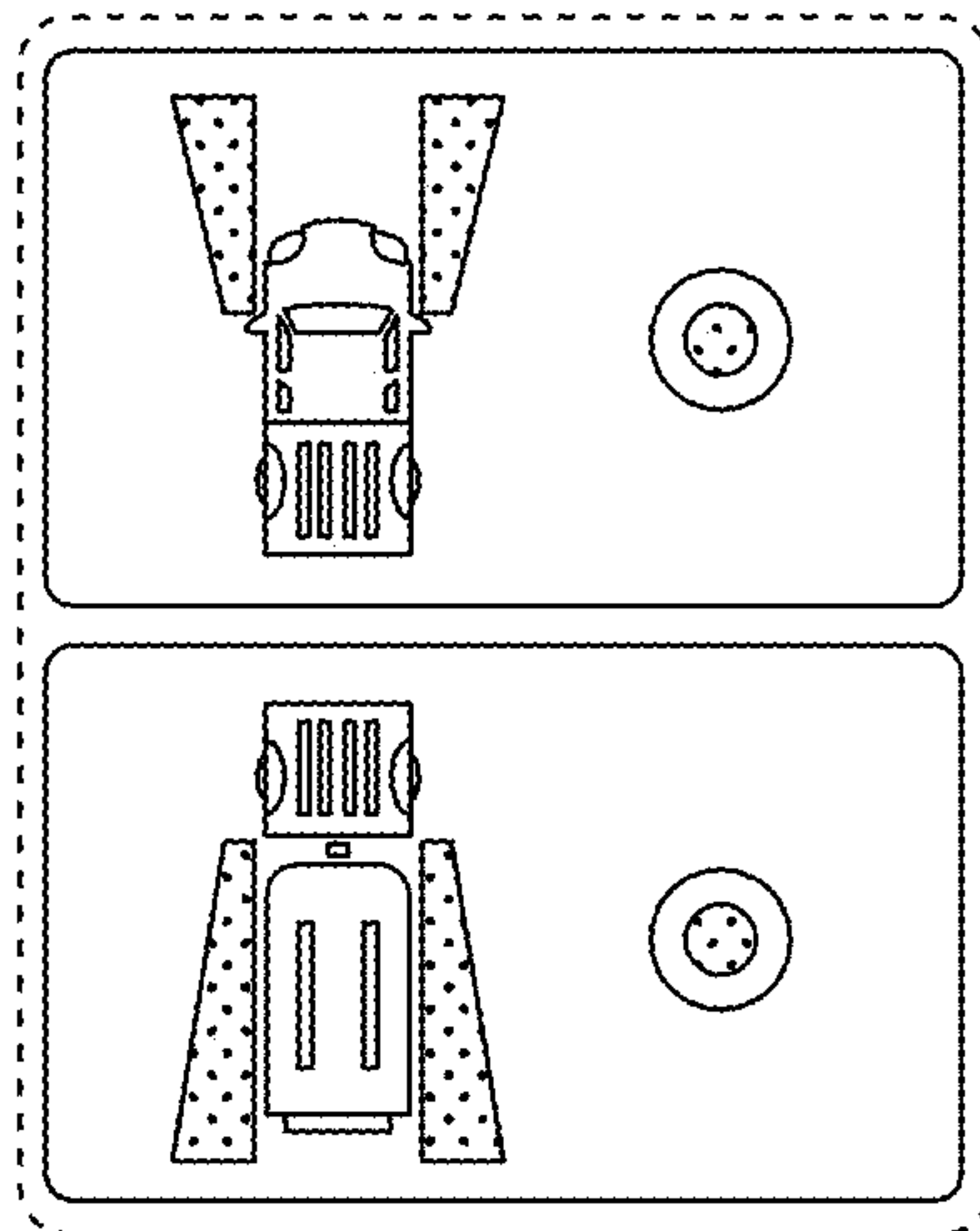


FIG. 2