

US00D997104S

(12) **United States Design Patent**
Shuyler

(10) **Patent No.:** **US D997,104 S**

(45) **Date of Patent:** **** Aug. 29, 2023**

(54) **EXTENSION CORD PLUG AND RECEPTACLE**

(71) Applicant: **Phillip E Shuyler**, Woodland Hills, CA (US)

(72) Inventor: **Phillip E Shuyler**, Woodland Hills, CA (US)

(**) Term: **15 Years**

(21) Appl. No.: **29/885,420**

(22) Filed: **Feb. 23, 2023**

(51) **LOC (14) Cl.** **13-03**

(52) **U.S. Cl.**
USPC **D13/137.4; D13/138.2**

(58) **Field of Classification Search**
USPC **D13/133, 137.1, 137.4, 138.1–138.2, D13/139.1, 146, 154, 156, 184**
(Continued)

(56) **References Cited**

U.S. PATENT DOCUMENTS

1,918,126 A * 7/1933 Peterson H01R 13/512
439/687
2,100,094 A * 11/1937 Wahl H01R 31/00
439/600

(Continued)

OTHER PUBLICATIONS

Cablesgo, Date: Sep. 24, 2021, [online], [site visited Mar. 22, 2023]. Available from internet, URL: <https://www.cablesgo.com/product/denmark-extension-cord-16a/> (Year: 2021).*

(Continued)

Primary Examiner — Shawn T Gingrich

Assistant Examiner — Bryan N. Melvin

(74) *Attorney, Agent, or Firm* — Barry Choobin; Patent
360

(57) **CLAIM**

The ornamental design for an extension cord plug and receptacle, as shown and described.

DESCRIPTION

FIG. 1 is a perspective view of an extension cord plug and receptacle, showing my new design;

FIG. 2 is a perspective view of the extension cord receptacle shown on the right side of FIG. 1;

FIG. 3 is a front view of the extension cord receptacle shown in FIG. 2;

FIG. 4 is a rear view of the extension cord receptacle shown in FIG. 2;

FIG. 5 is a left side view of the extension cord receptacle shown in FIG. 2;

FIG. 6 is a right side view of the extension cord receptacle shown in FIG. 2;

FIG. 7 is a top view of the extension cord receptacle shown in FIG. 2;

FIG. 8 is a bottom view of the extension cord receptacle shown in FIG. 2;

FIG. 9 is a cross-sectional view taken along the line 9-9 of FIG. 7;

FIG. 10 is a cross-sectional view taken along the line 10-10 of FIG. 7;

FIG. 11 is a perspective view of the extension cord plug shown on the left side of FIG. 1;

FIG. 12 is a front view of the extension cord plug shown in FIG. 11;

FIG. 13 is a rear view of the extension cord plug shown in FIG. 11;

FIG. 14 is a left side view of the extension cord plug shown in FIG. 11;

FIG. 15 is a right side view of the extension cord plug shown in FIG. 11;

FIG. 16 is a top view of the extension cord plug shown in FIG. 11;

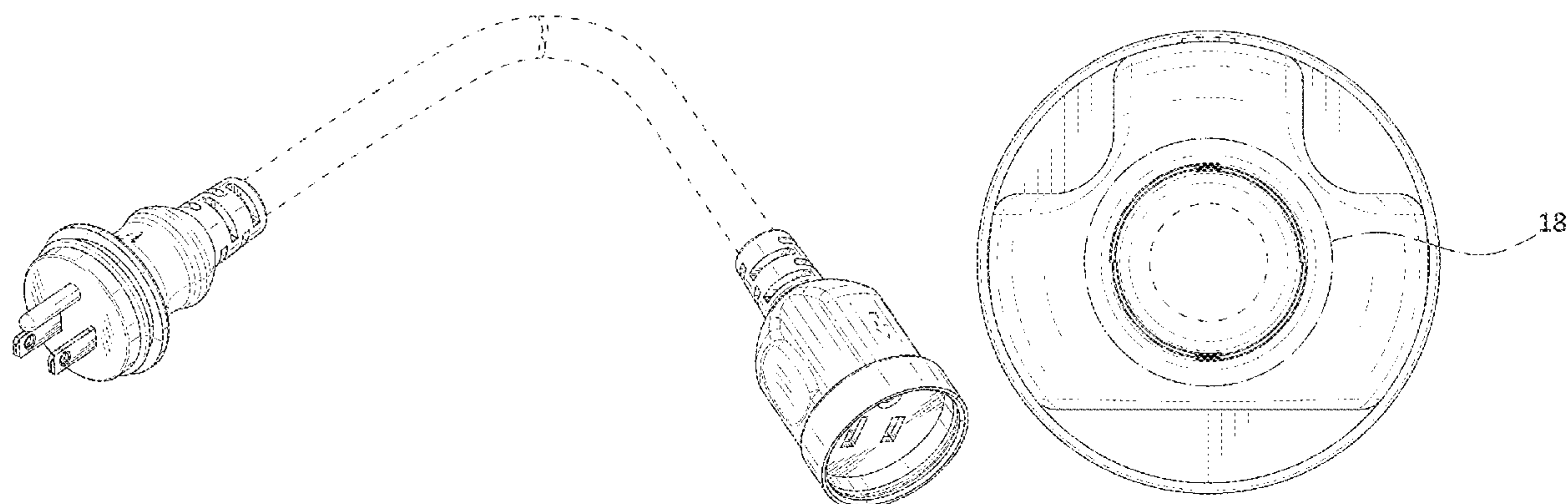
FIG. 17 is a bottom view of the extension cord plug shown in FIG. 11;

FIG. 18 is an enlarged view of FIG. 8; and,

FIG. 19 is an enlarged view of FIG. 17.

The Dash-Dash broken lines depict portions of the extension cord plug and receptacle that form no part of the claimed

(Continued)



design. The dot-dash broken lines in FIGS. 8, 17, 18 and 19 depict the boundaries of the enlargements that form no part of the claimed design.

1 Claim, 17 Drawing Sheets

(58) Field of Classification Search

CPC H01R 13/20; H01R 13/44; H01R 13/5202;
 H01R 13/5213; H01R 13/5219; H01R
 13/6392; H01R 24/20; H01R 24/28;
 H01R 31/00; H01R 31/06; H01R 27/00
 See application file for complete search history.

(56) References Cited

U.S. PATENT DOCUMENTS

D217,614 S *	5/1970	Kress	D13/138.2
3,571,781 A *	3/1971	Gartland, Jr.	H01R 13/595 439/465
D235,265 S *	6/1975	Michener	D13/137.4
4,003,622 A *	1/1977	Gartland, Jr.	H01R 24/005 439/347
4,643,505 A	2/1987	House et al.	
D296,779 S	7/1988	Watson	
5,217,387 A	6/1993	Alkire	
5,259,782 A	11/1993	Giffin	
5,286,213 A *	2/1994	Altergott	H01R 13/44 200/51.09
5,299,951 A	4/1994	Blaetz	

5,347,084 A	9/1994	Roney et al.	
5,630,726 A *	5/1997	Baldwin	H01R 13/642 439/270
5,696,351 A	12/1997	Ericsson	
5,813,879 A	9/1998	Russo	
D404,008 S *	1/1999	Bennet	D13/137.1
6,036,526 A	3/2000	Alfis, III	
D460,735 S *	7/2002	Verfueth	D13/137.4
D466,867 S *	12/2002	Krobusek	D13/137.4
7,189,100 B1	3/2007	Colbourne	
7,195,505 B1	3/2007	Becker	
7,285,725 B1	10/2007	Saman	
D586,757 S	2/2009	Minnick	
7,553,181 B1	6/2009	Van Dalinda, III	
D604,245 S *	11/2009	Reusche	D13/133
D645,000 S	9/2011	Yoshida	
9,368,907 B2	6/2016	Becker	
D776,623 S	1/2017	Jenkins	
D821,988 S	7/2018	Chang	
10,950,973 B2 *	3/2021	Hale	H01R 13/6392
2008/0194137 A1	8/2008	Kuo	

OTHER PUBLICATIONS

ShowMe, Date: Not Available, [online], [site visited Mar. 22, 2023]. Available from internet, URL: <https://www.showmecables.com/44-339-7-6m> (Year: 2023).*

Regvolt, Date: Sep. 15, 2020, [online], [site visited Mar. 22, 2023]. Available from internet, URL: <https://www.110220volts.com/regvolt-european-schuko-extension-power-cord.html> (Year: 2020).*

* cited by examiner

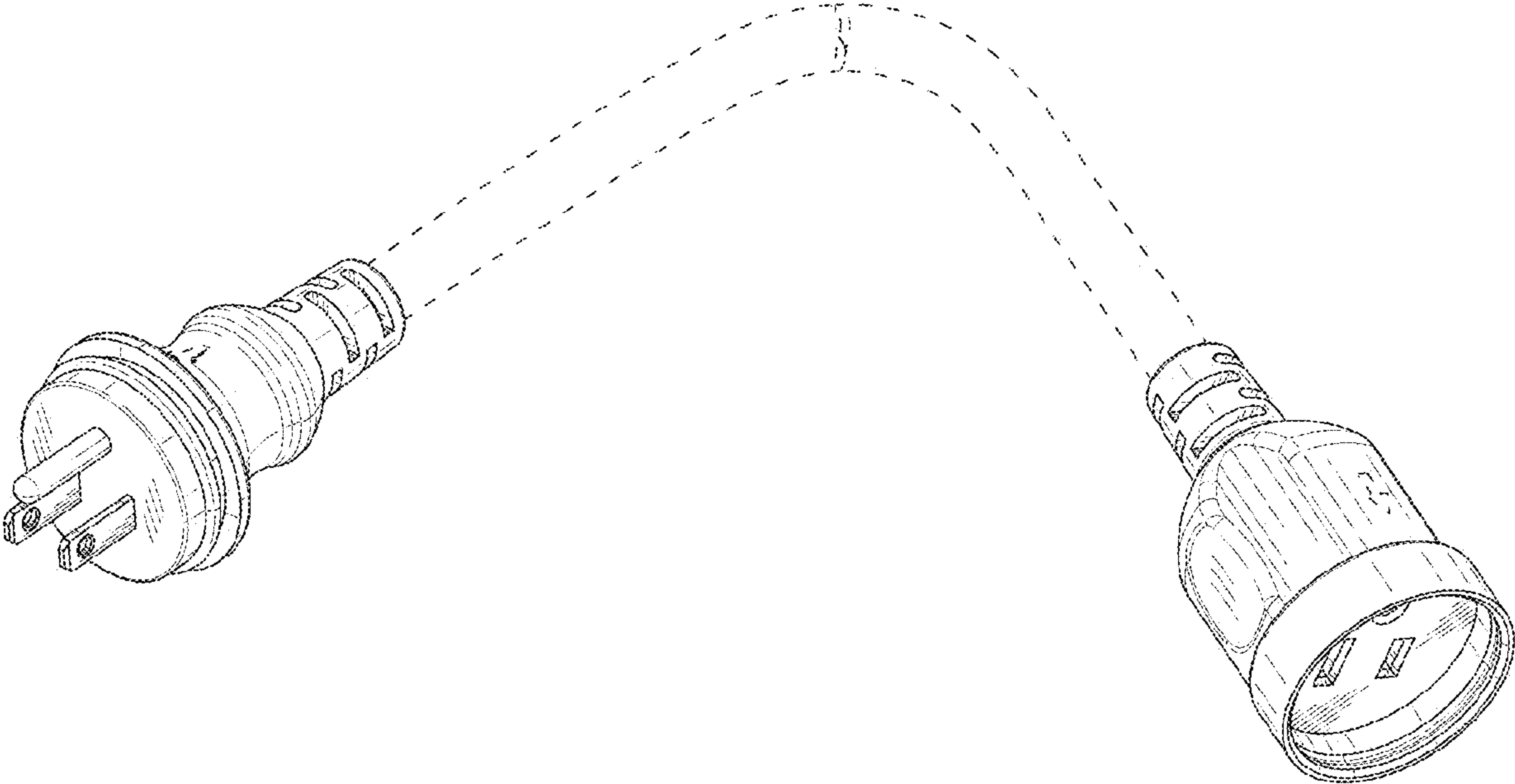


FIG. 1

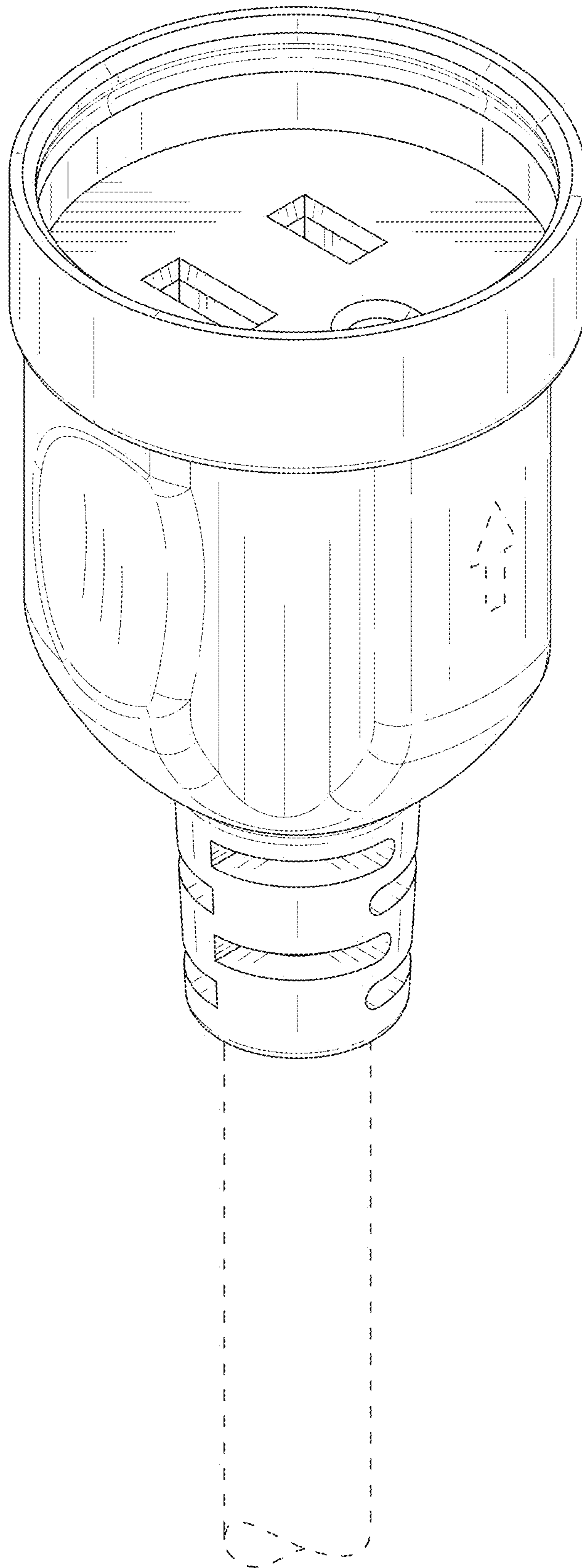


FIG. 2

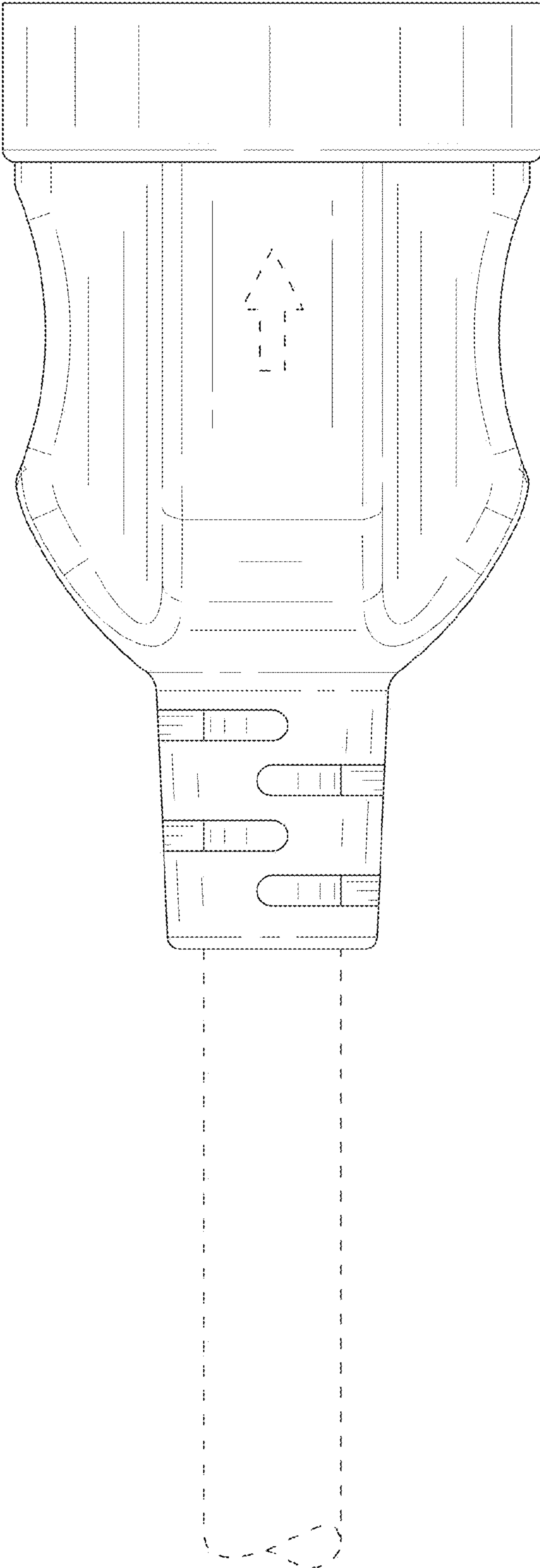


FIG. 3

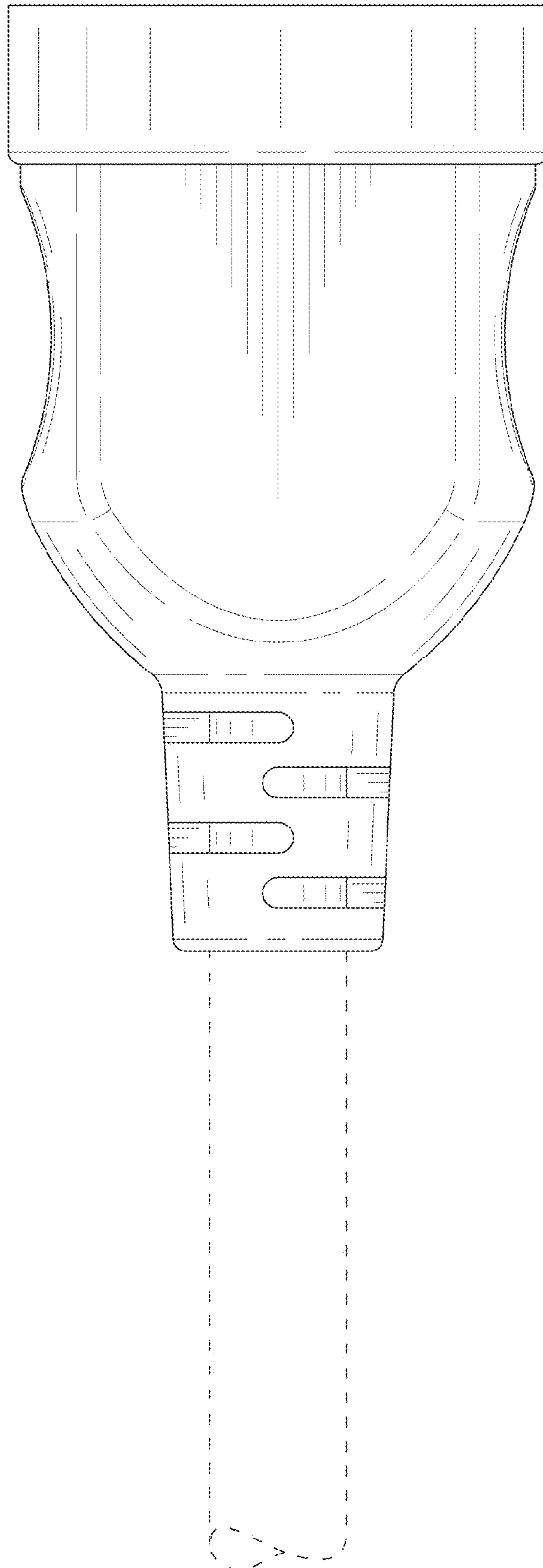


FIG. 4

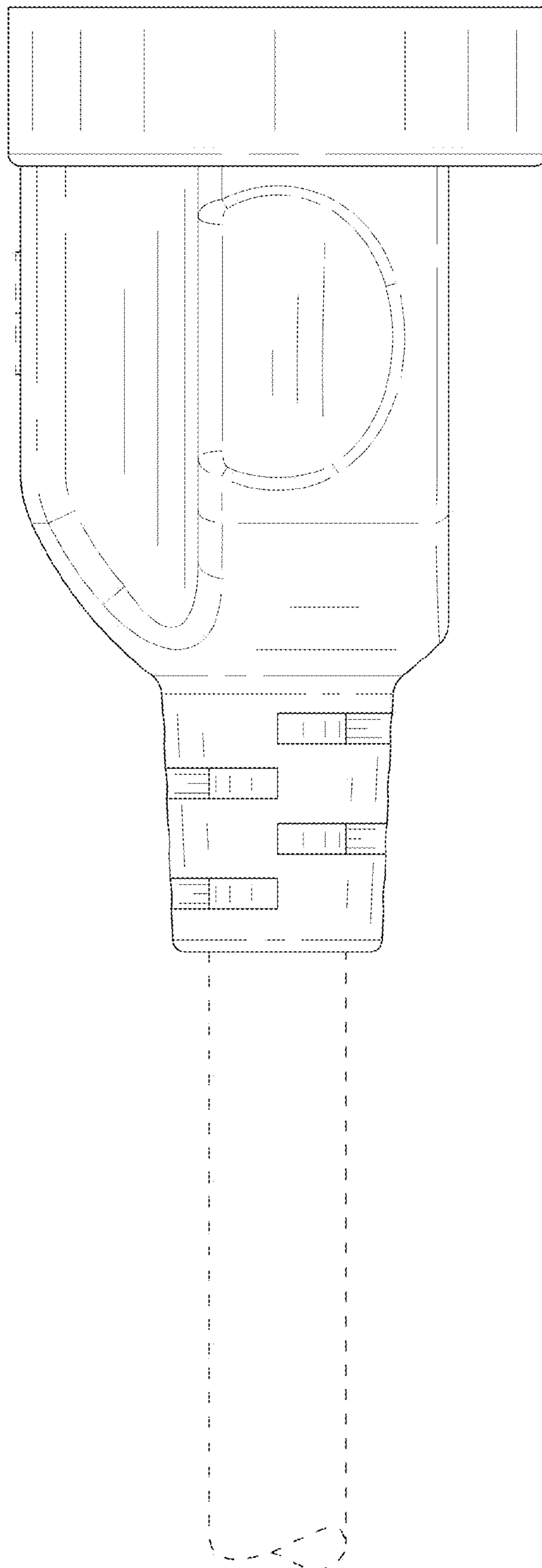


FIG. 5

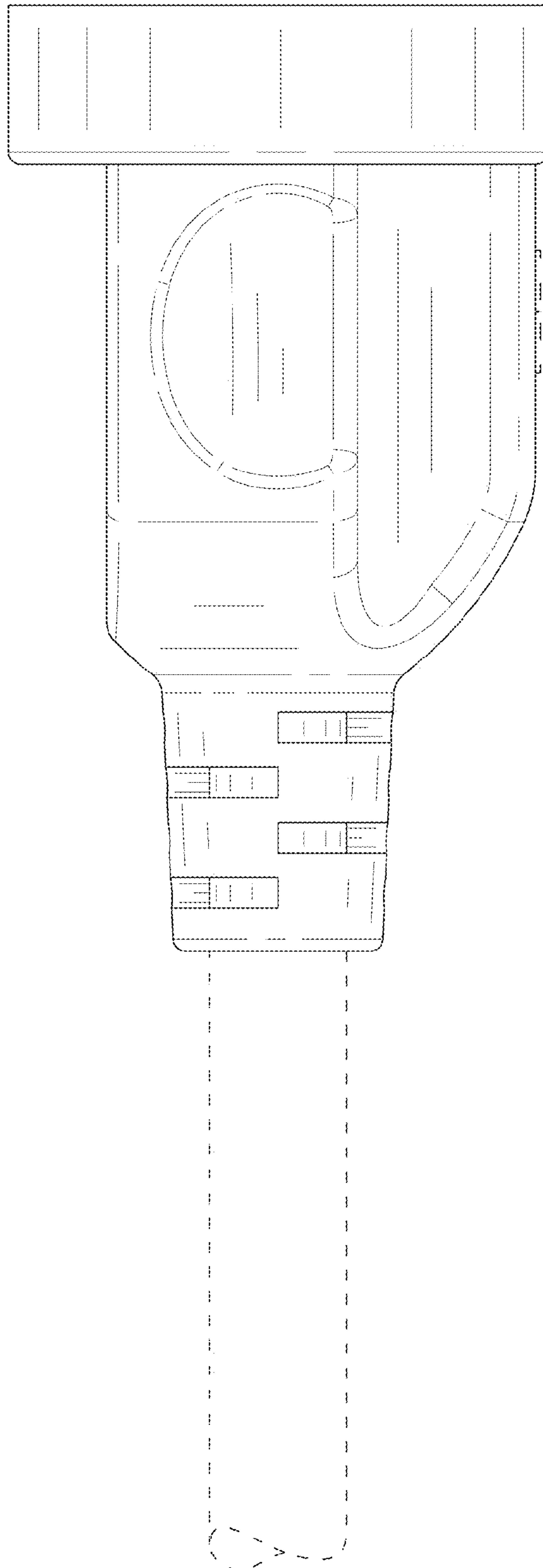


FIG. 6

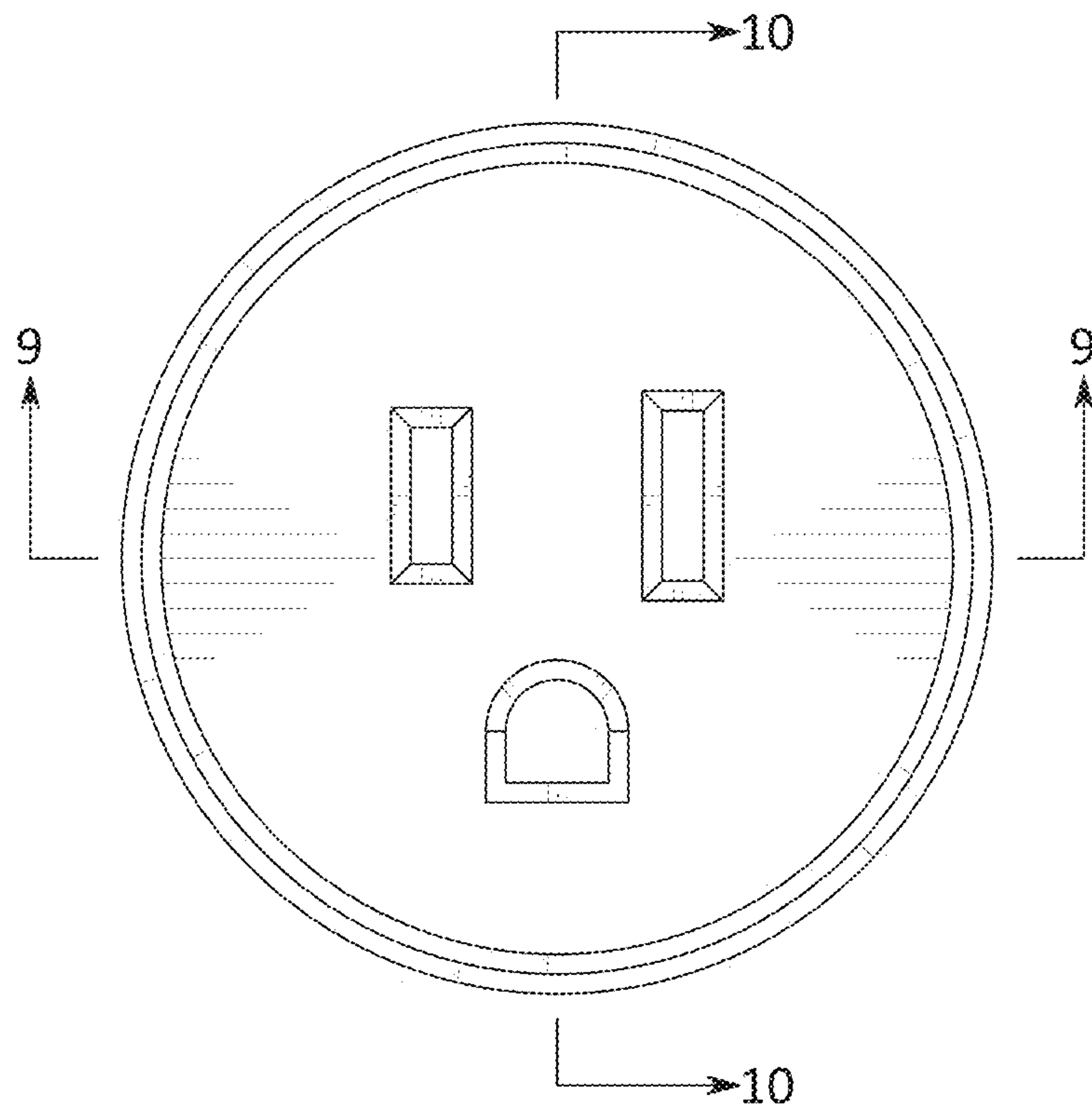


FIG. 7

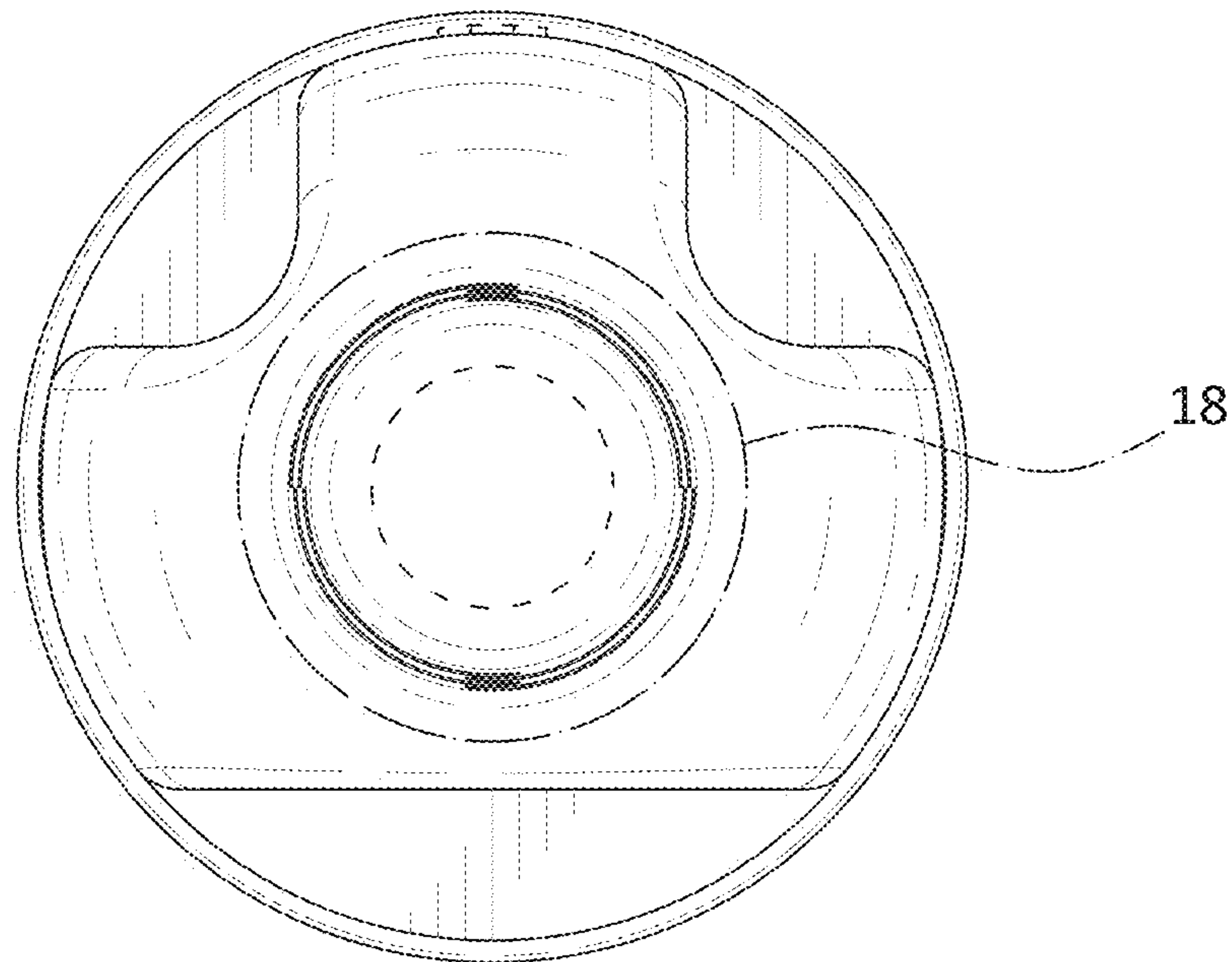


FIG. 8

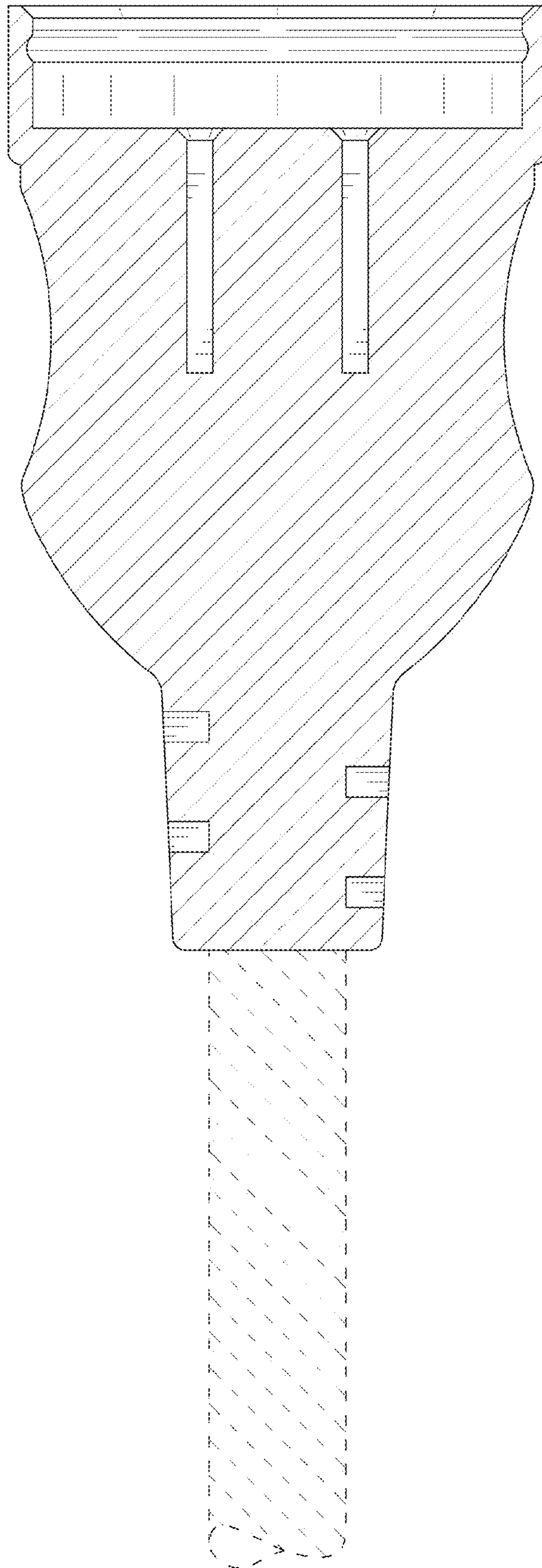


FIG. 9

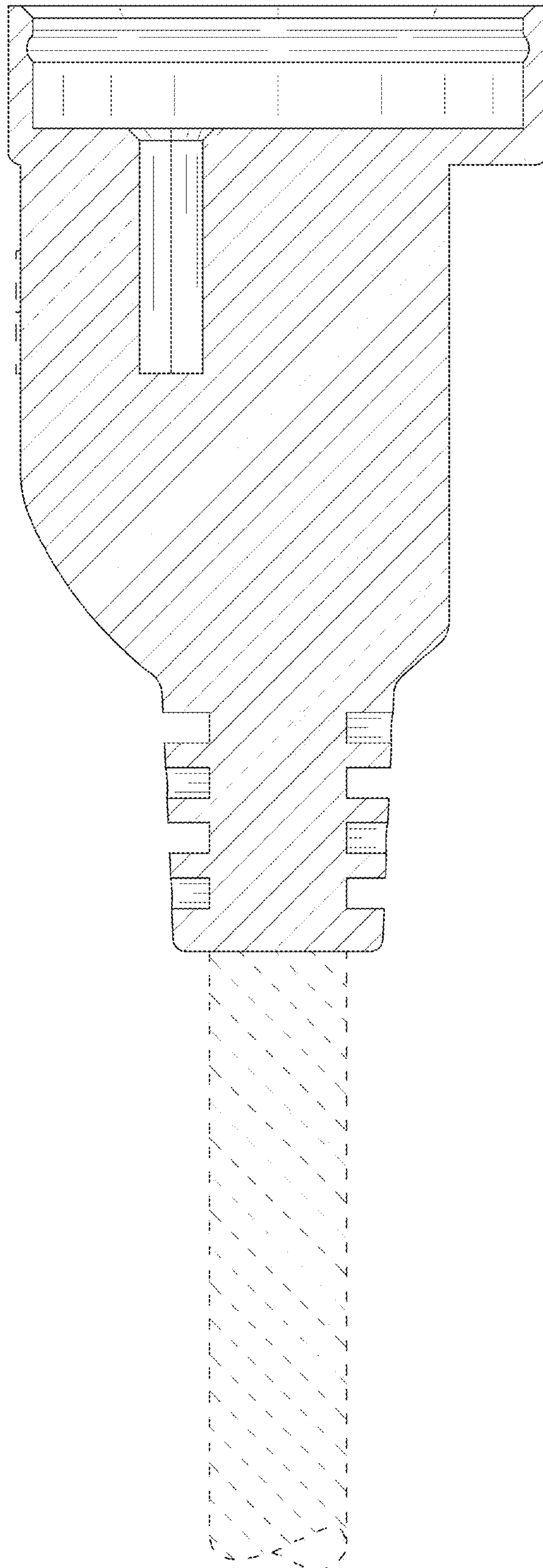


FIG. 10

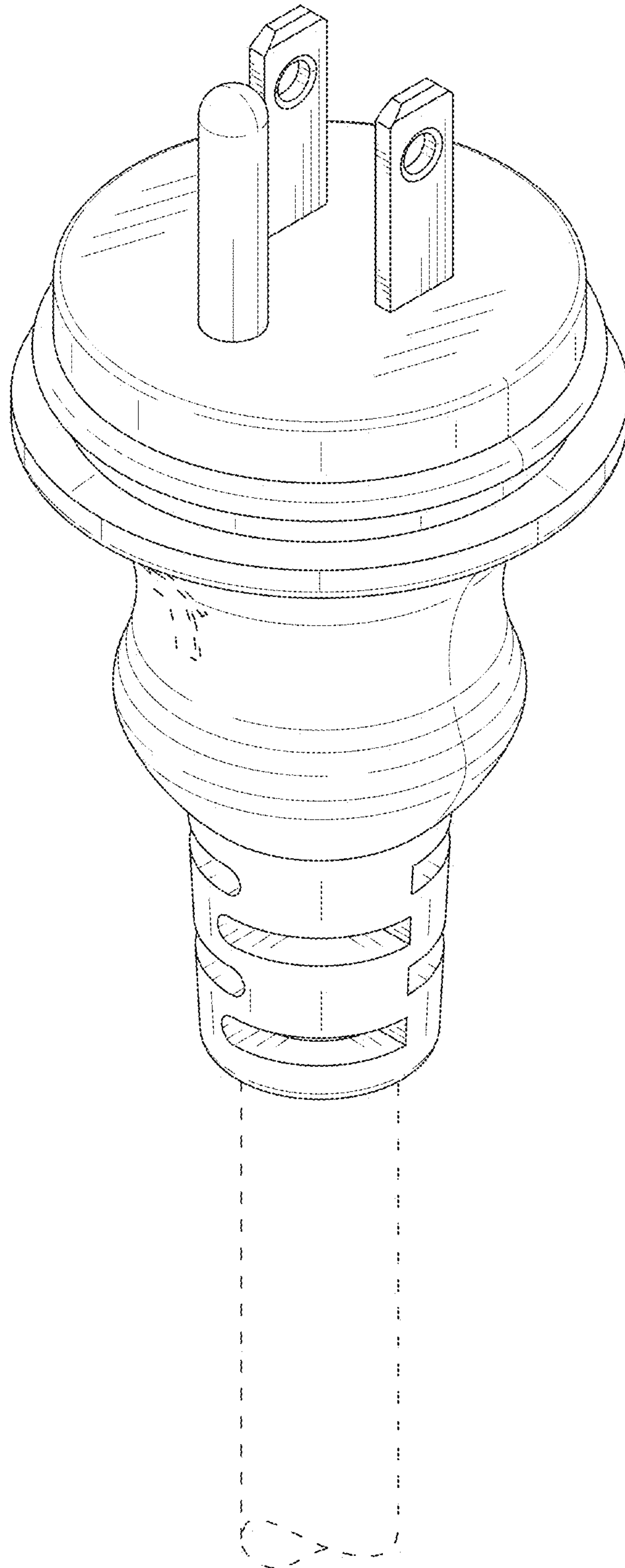


FIG. 11

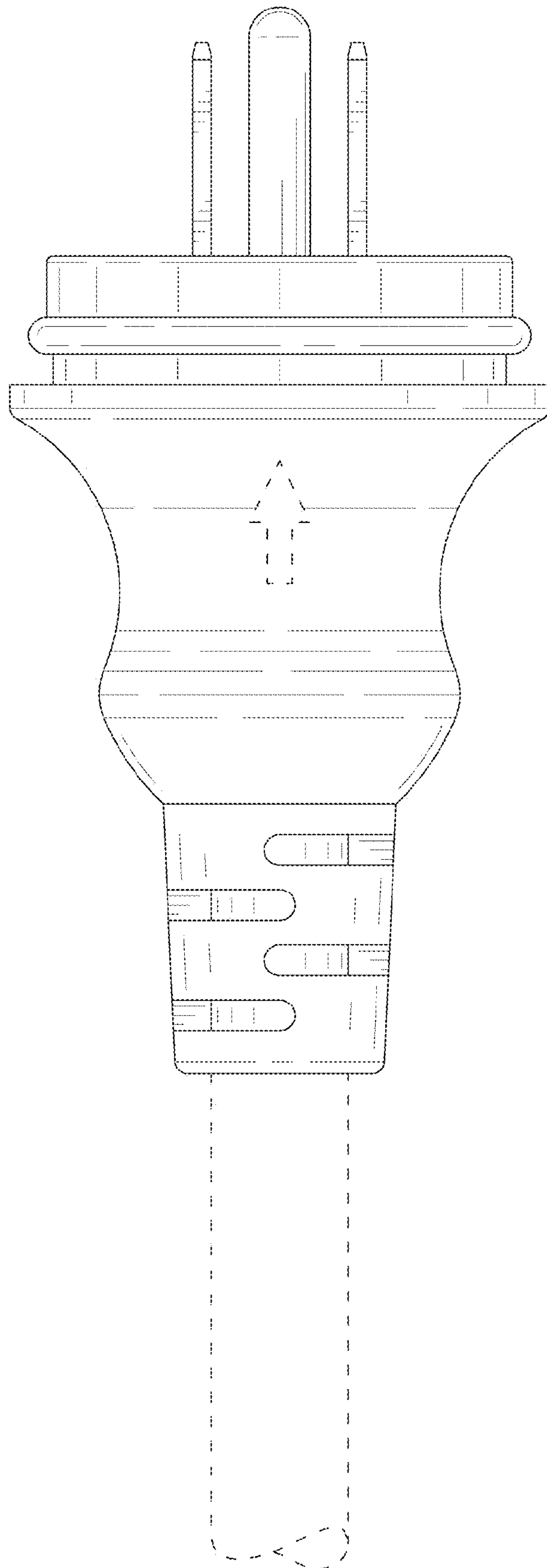


FIG. 12

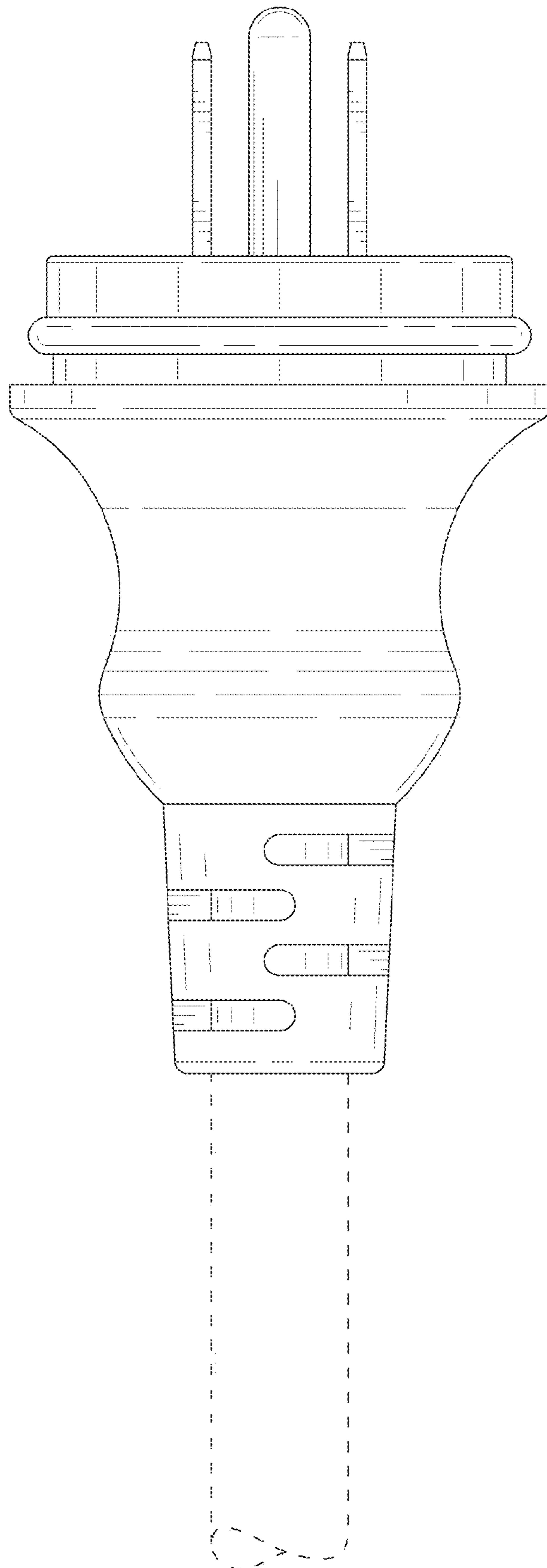


FIG. 13

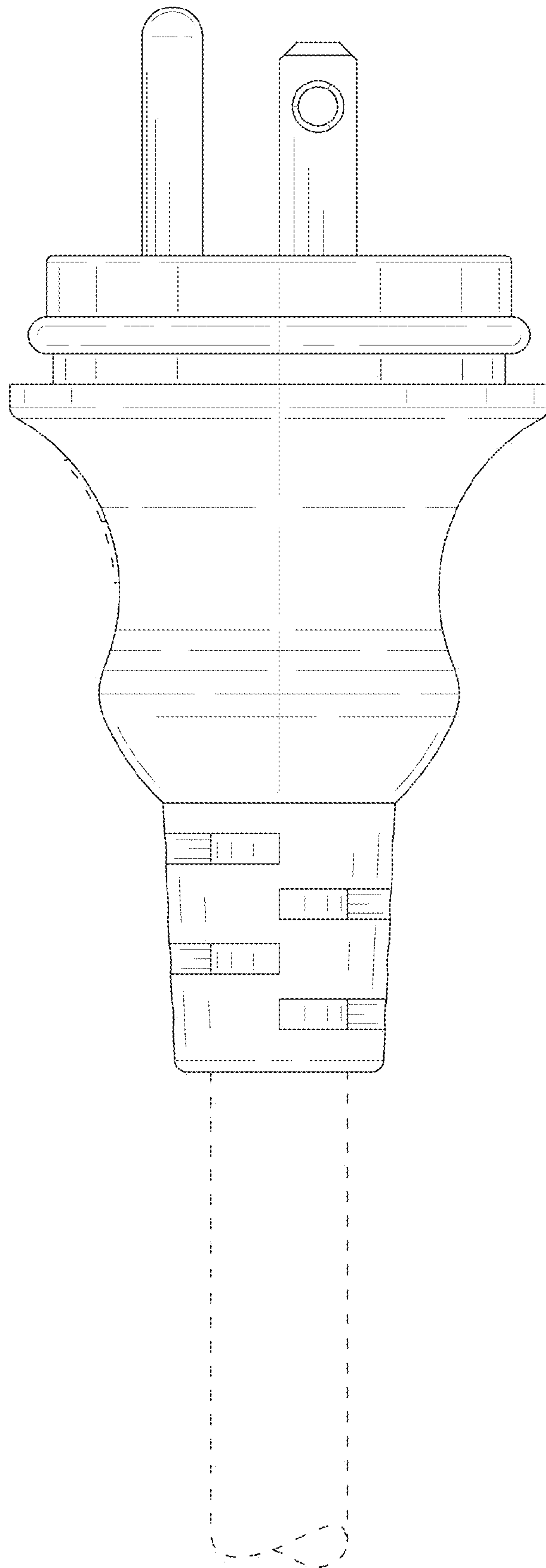


FIG. 14

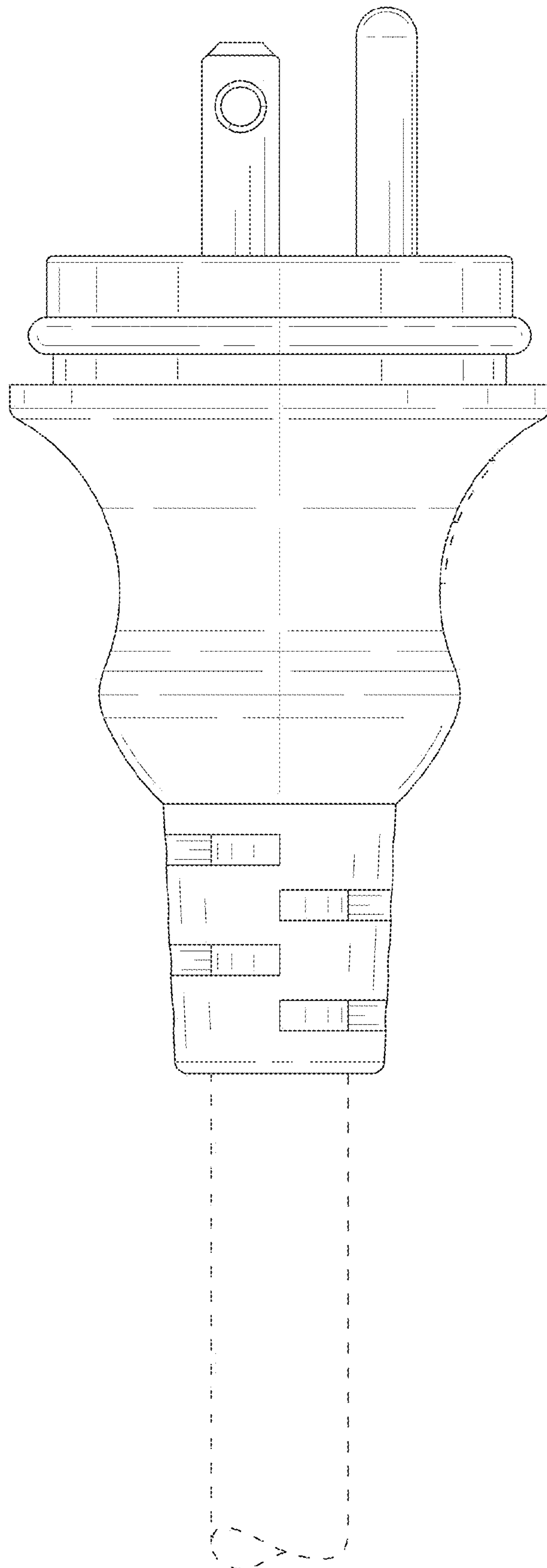


FIG. 15

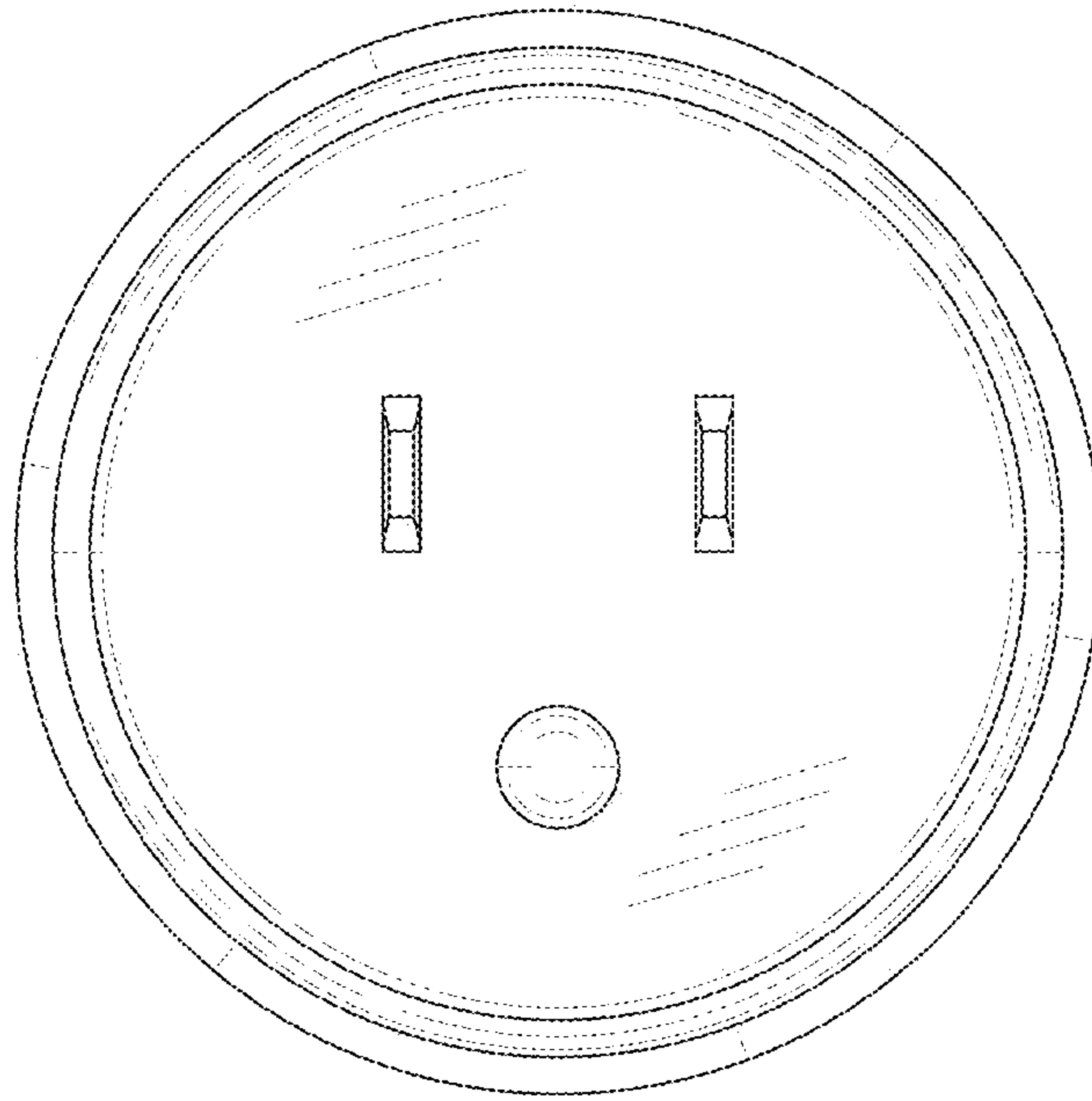


FIG. 16

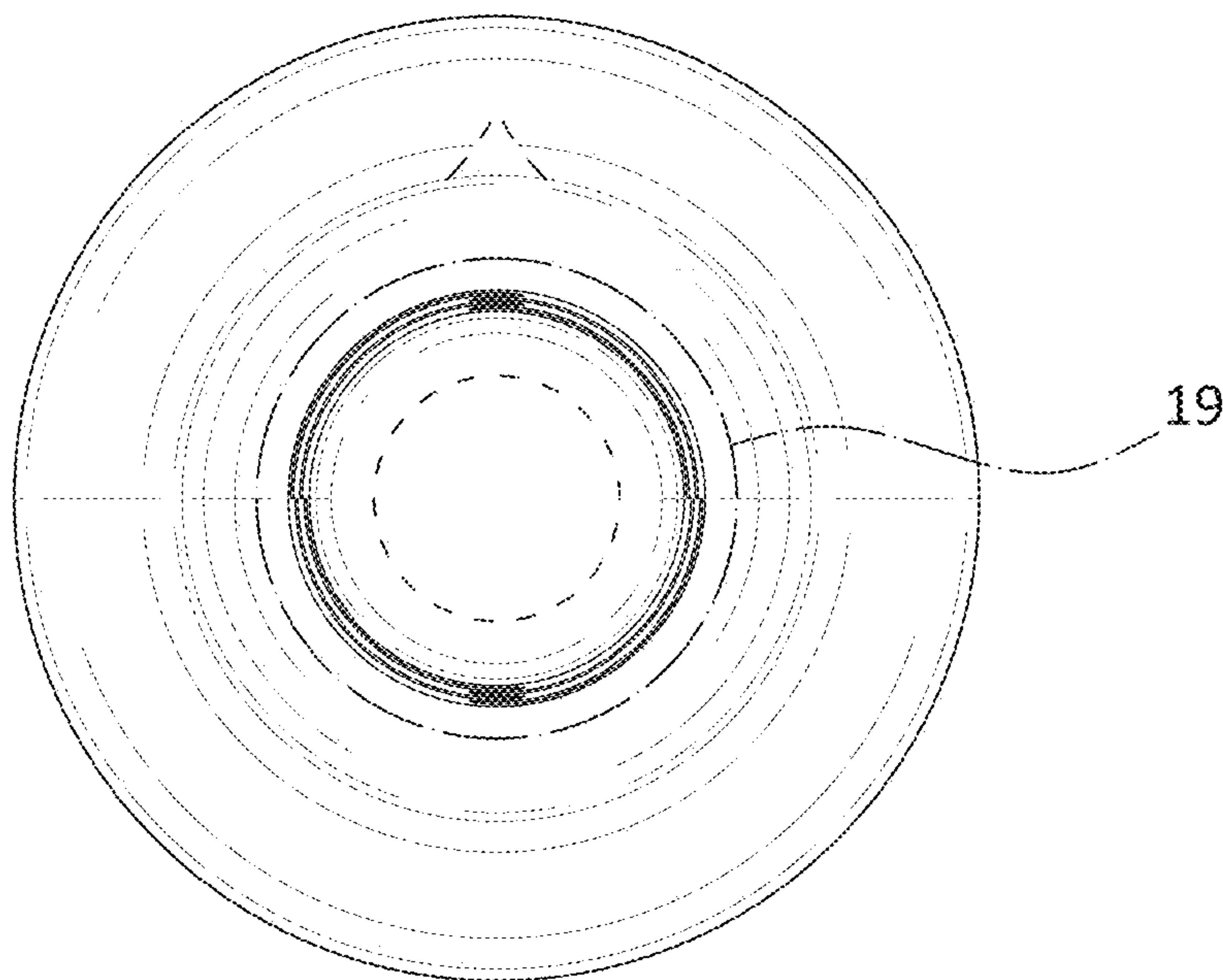


FIG. 17

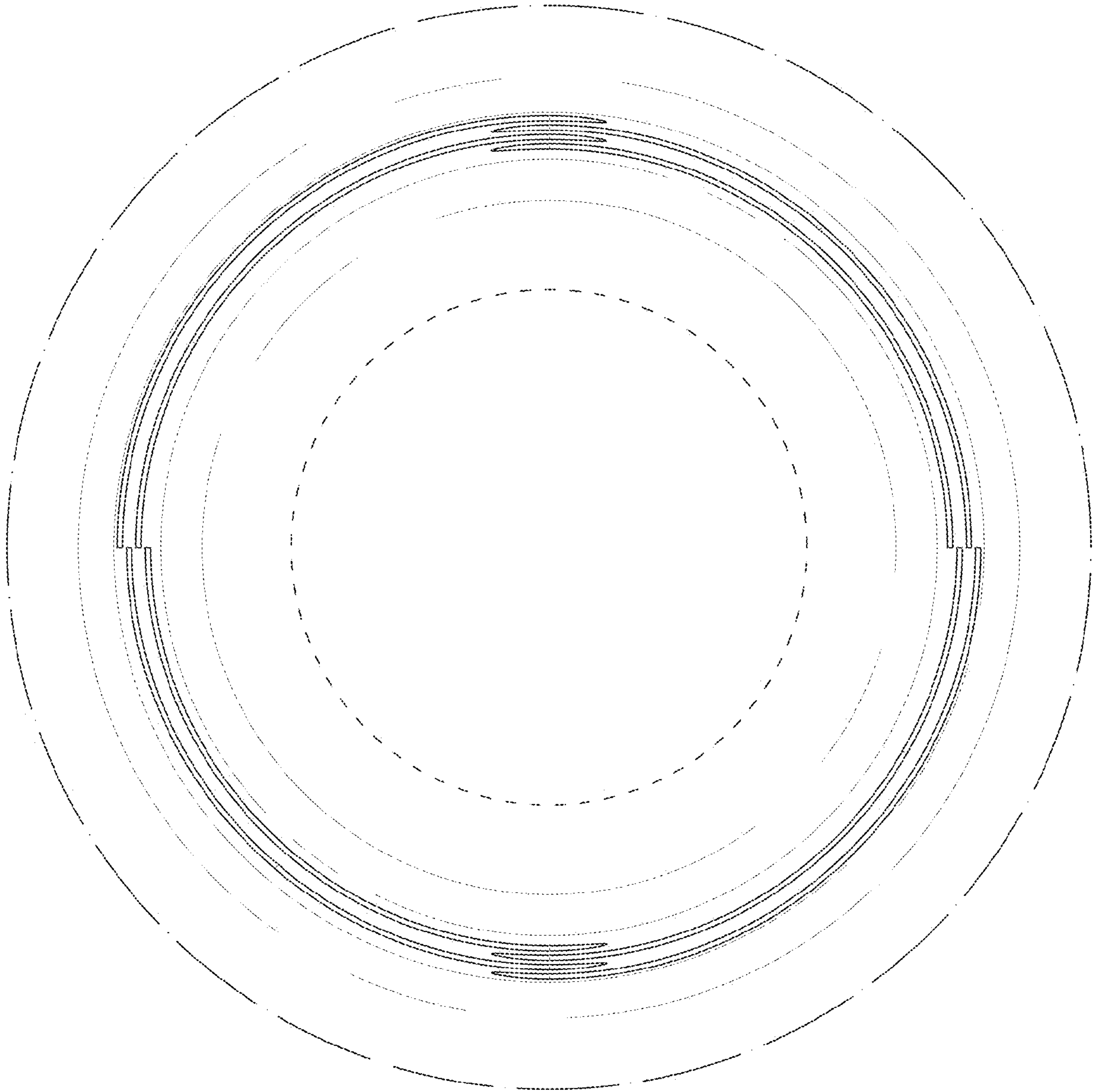


FIG. 18

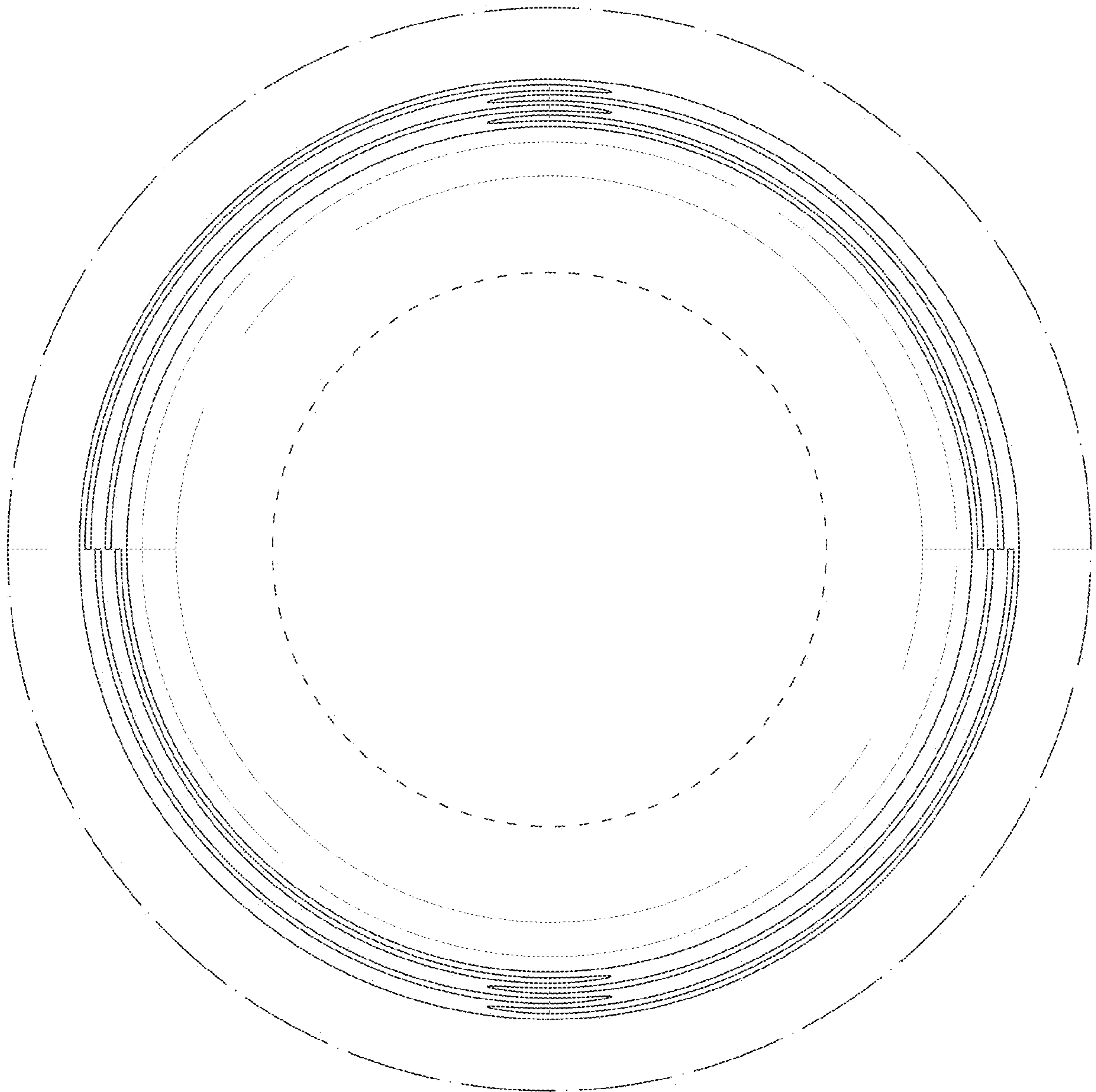


FIG. 19