



US00D996913S

(12) **United States Design Patent** (10) **Patent No.:** **US D996,913 S**
Fogg et al. (45) **Date of Patent:** **** Aug. 29, 2023**

(54) **UTV COOLER BOX**

(71) Applicant: **Tractor Supply Co. of Texas, LP**,
Brentwood, TN (US)
(72) Inventors: **Christian D. Fogg**, Columbia, TN
(US); **Mitchell Loren Wilgus**, Spring
Hill, TN (US); **Ty Rager**, Brentwood,
TN (US); **Spencer Carpenter**,
Lewisburg, TN (US); **Wei Hui**,
Shanghai (CN)
(73) Assignee: **Tractor Supply Co. of Texas, LP**,
Brentwood, TN (US)

(**) Term: **15 Years**

(21) Appl. No.: **29/812,534**

(22) Filed: **Oct. 22, 2021**

(51) **LOC (14) Cl.** **07-01**

(52) **U.S. Cl.**
USPC **D7/605**

(58) **Field of Classification Search**

USPC D7/605, 606, 607; D3/287, 276, 289,
D3/283, 291, 272-274, 201, 203.1-203.8
CPC B65D 81/3897; B65D 81/38; B65D
81/3813; B65D 81/3816; B65D 81/3818;
B65D 81/382; B65D 81/3823; B65D
81/3825; B65D 81/3827; B65D 81/383;
B65D 81/3832; B65D 81/3834; B65D
81/3848; B65D 81/3851; B65D 81/3853;
B65D 81/3855; B65D 81/3858; B65D
81/386; B65D 81/3862; B65D 81/3888;
F25D 3/08; F25D 3/02; F25D 3/04; F25D
3/06; F25D 3/14; F25D 3/107; F25D
2331/804; F25D 2331/801; A45C 11/20;
A45C 3/00; A45C 2003/008

See application file for complete search history.

(56) **References Cited**

U.S. PATENT DOCUMENTS

D361,511 S * 8/1995 Dickinson D7/605
D494,021 S * 8/2004 Huthmaker D7/605
D527,225 S * 8/2006 Krieger D7/605
D806,483 S * 1/2018 Stanford D7/605

(Continued)

OTHER PUBLICATIONS

Photo of Quadboss Ranger Bed Box.

Photo of Kolpin Cargo Box.

Primary Examiner — Terry A Wallace

(74) *Attorney, Agent, or Firm* — Lucian Wayne Beavers;
Patterson Intellectual Property Law, PC

(57) **CLAIM**

What is claimed is the ornamental design for a UTV cooler box, as shown and described.

DESCRIPTION

FIG. 1 is a front top perspective view showing the UTV cooler box for mounting on a utility terrain vehicle (UTV). FIG. 2 is a bottom rear perspective view of the UTV cooler box of FIG. 1.

FIG. 3 is a front elevation view of the UTV cooler box of FIG. 1.

FIG. 4 is a rear elevation view of the UTV cooler box of FIG. 1.

FIG. 5 is a top plan view of the UTV cooler box of FIG. 1.

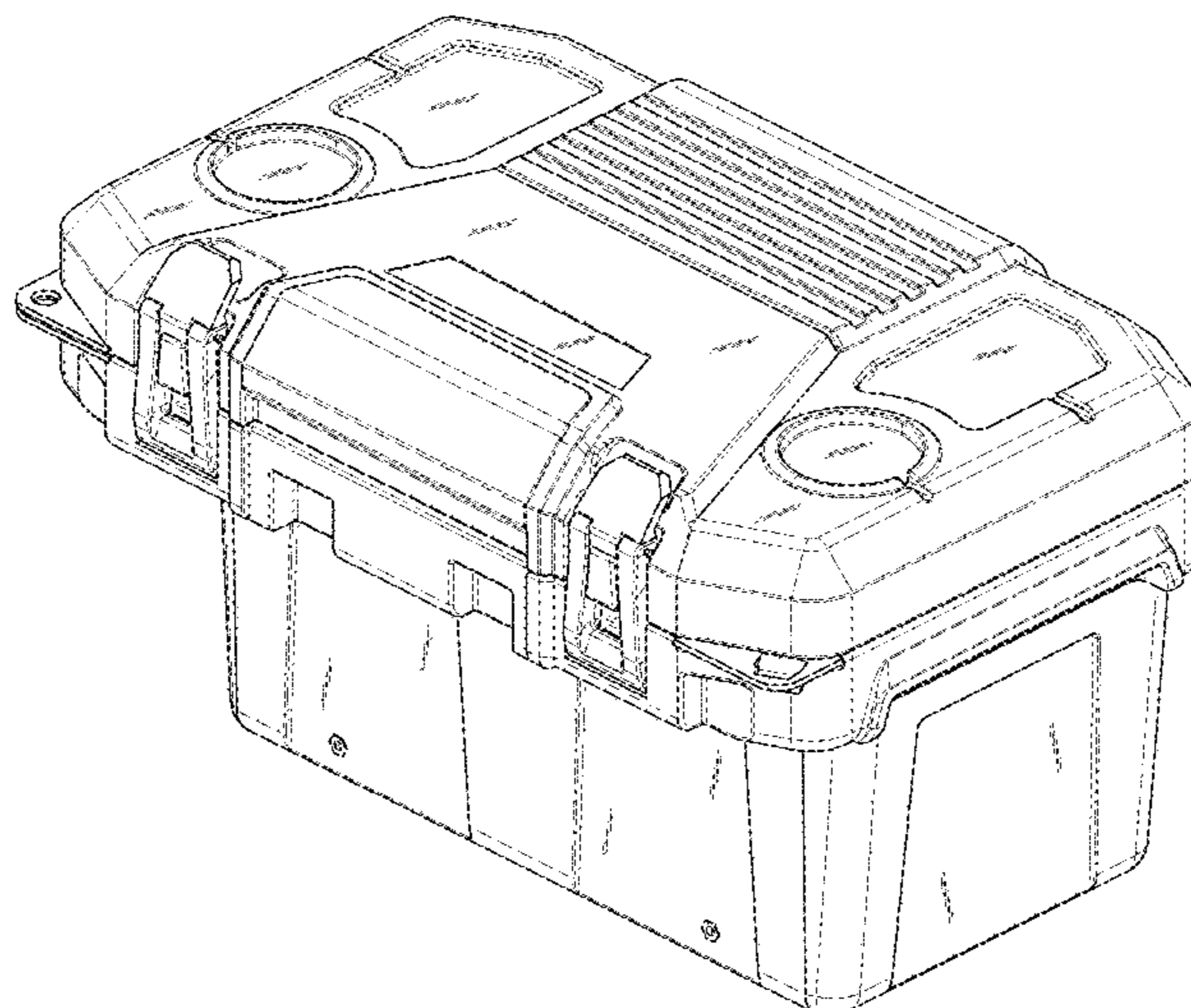
FIG. 6 is a bottom plan view of the UTV cooler box of FIG. 1.

FIG. 7 is a right end elevation view of the UTV cooler box of FIG. 1; and,

FIG. 8 is a left end elevation view of the UTV cooler box of FIG. 1.

The broken lines inside the legs on FIGS. 2 and 6 are shown to note that the bottom surfaces of the legs are not part of the claimed design. More broken lines are shown on the UTV cooler box for shading purposes and are not part of the claimed design.

1 Claim, 8 Drawing Sheets



(56)

References Cited

U.S. PATENT DOCUMENTS

D965,033 S * 9/2022 Deng D15/79
2021/0229893 A1 * 7/2021 Maldonado B65D 45/22

* cited by examiner

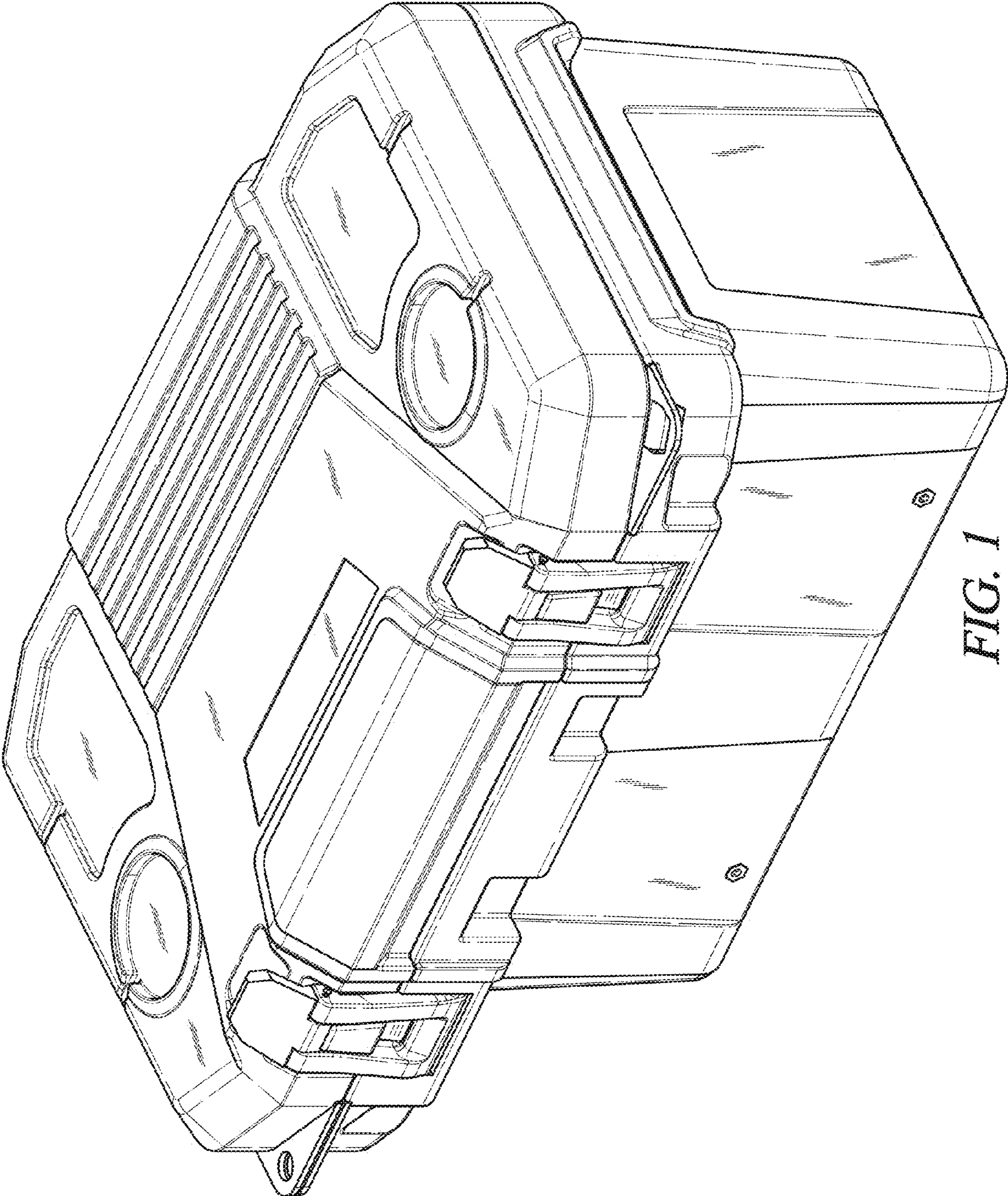


FIG. 1

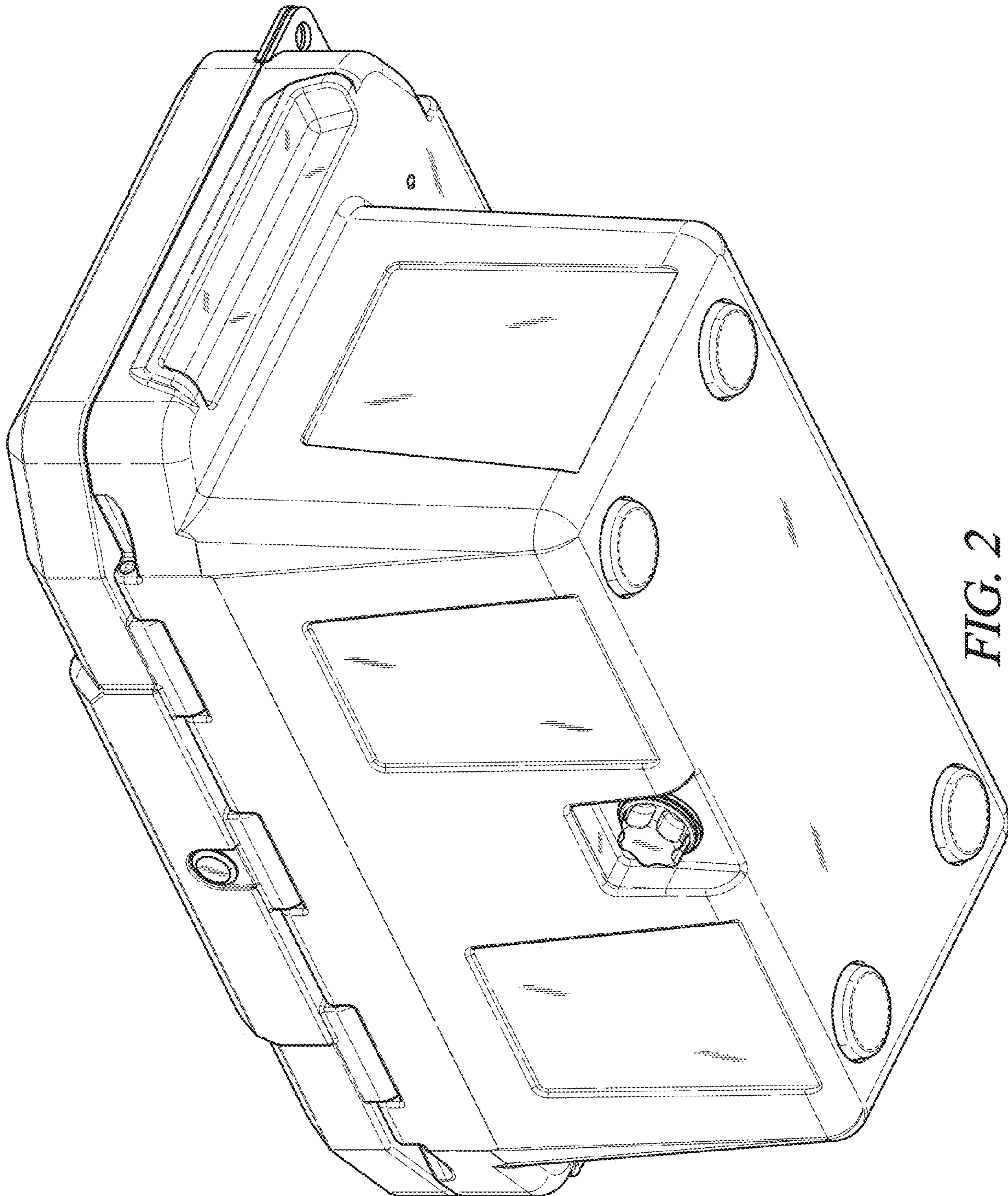


FIG. 2

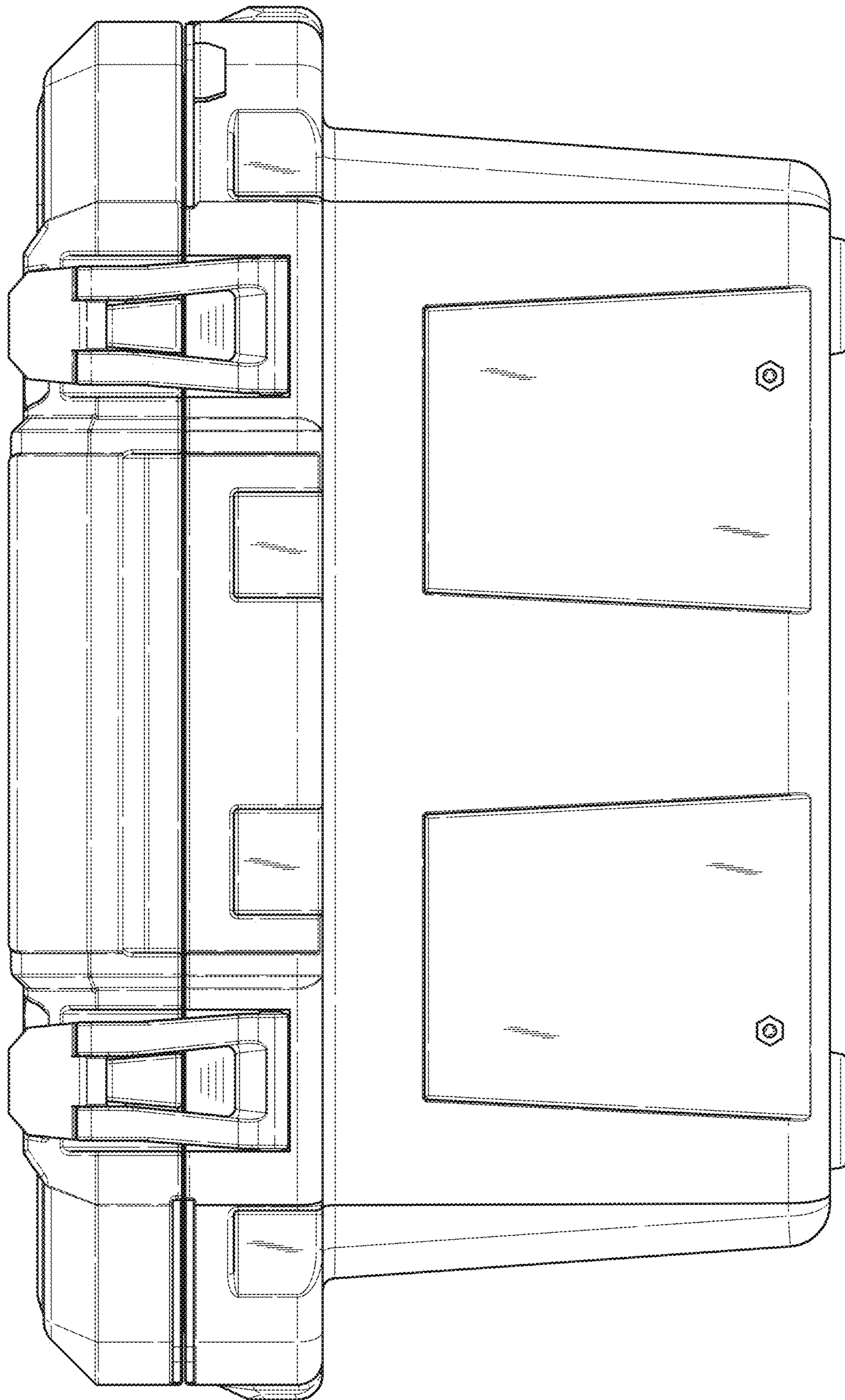


FIG. 3

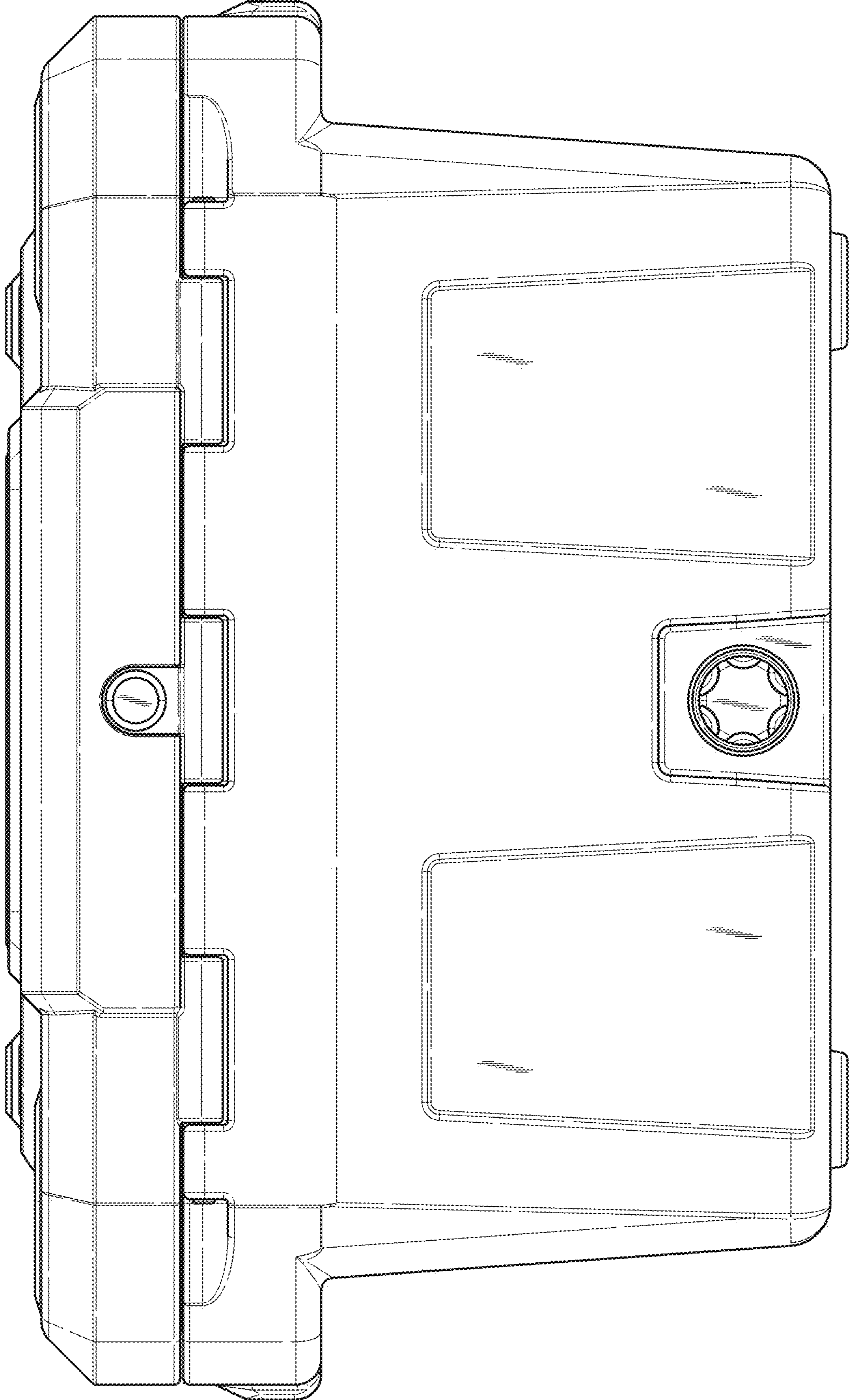


FIG. 4

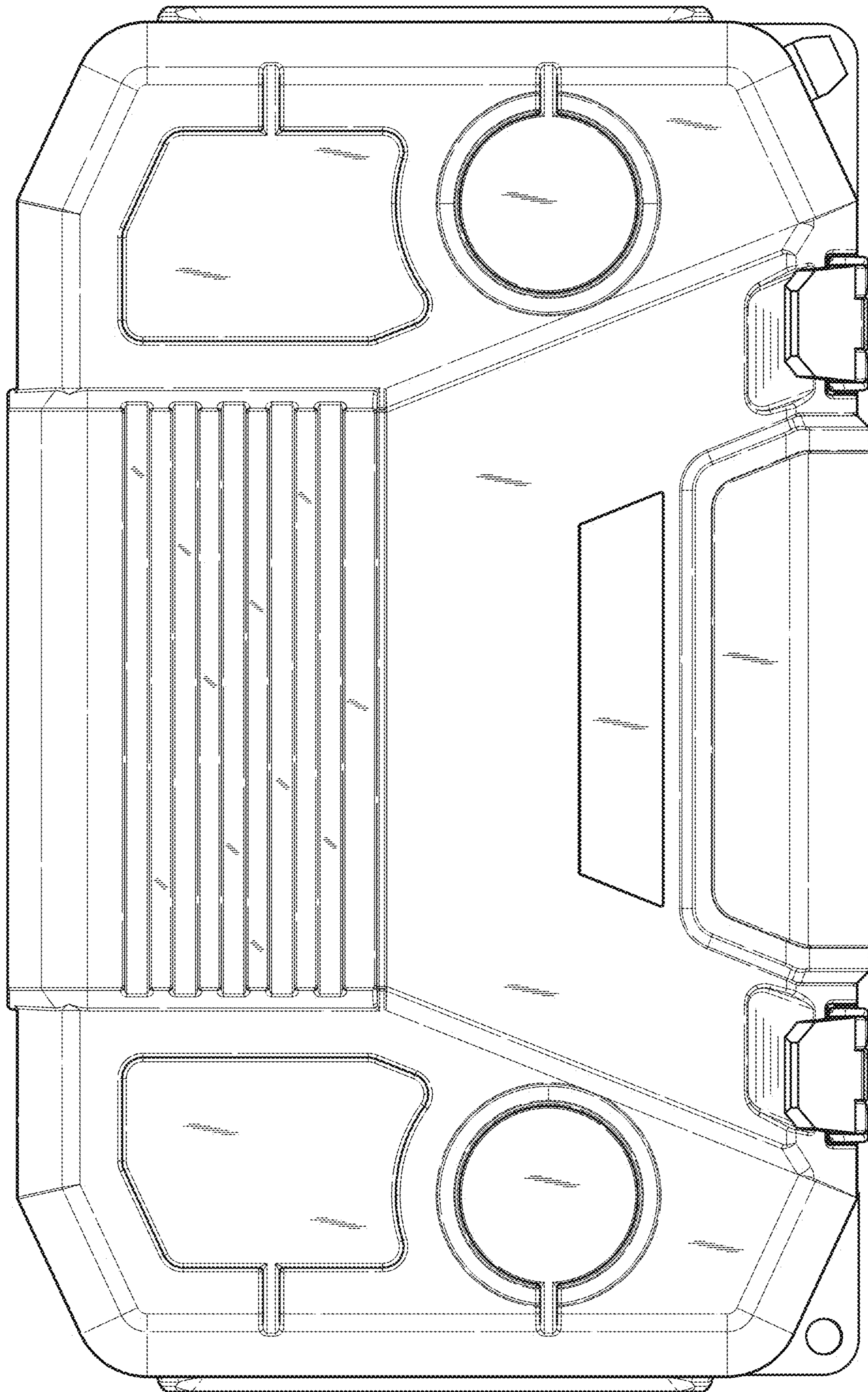


FIG. 5

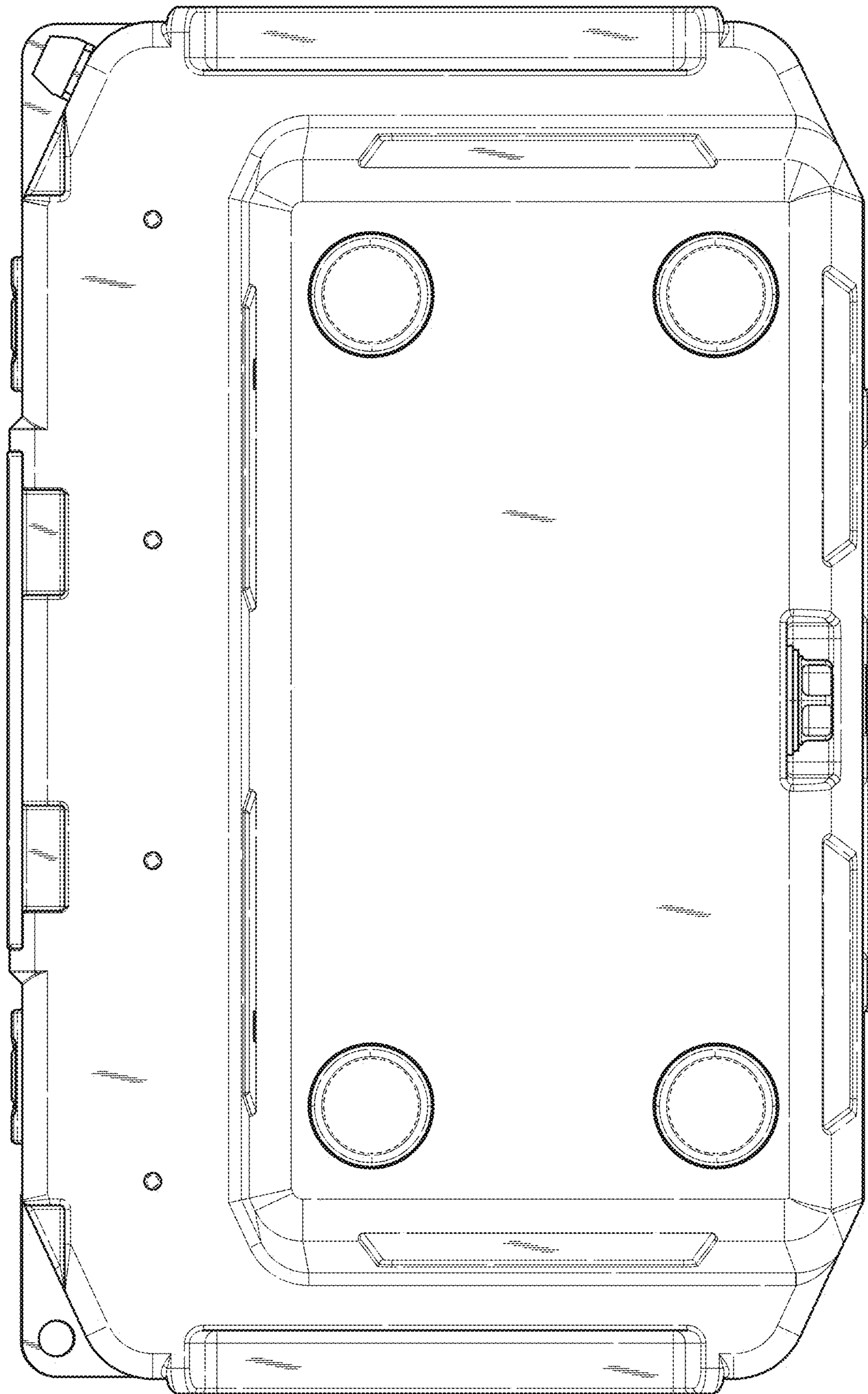


FIG. 6

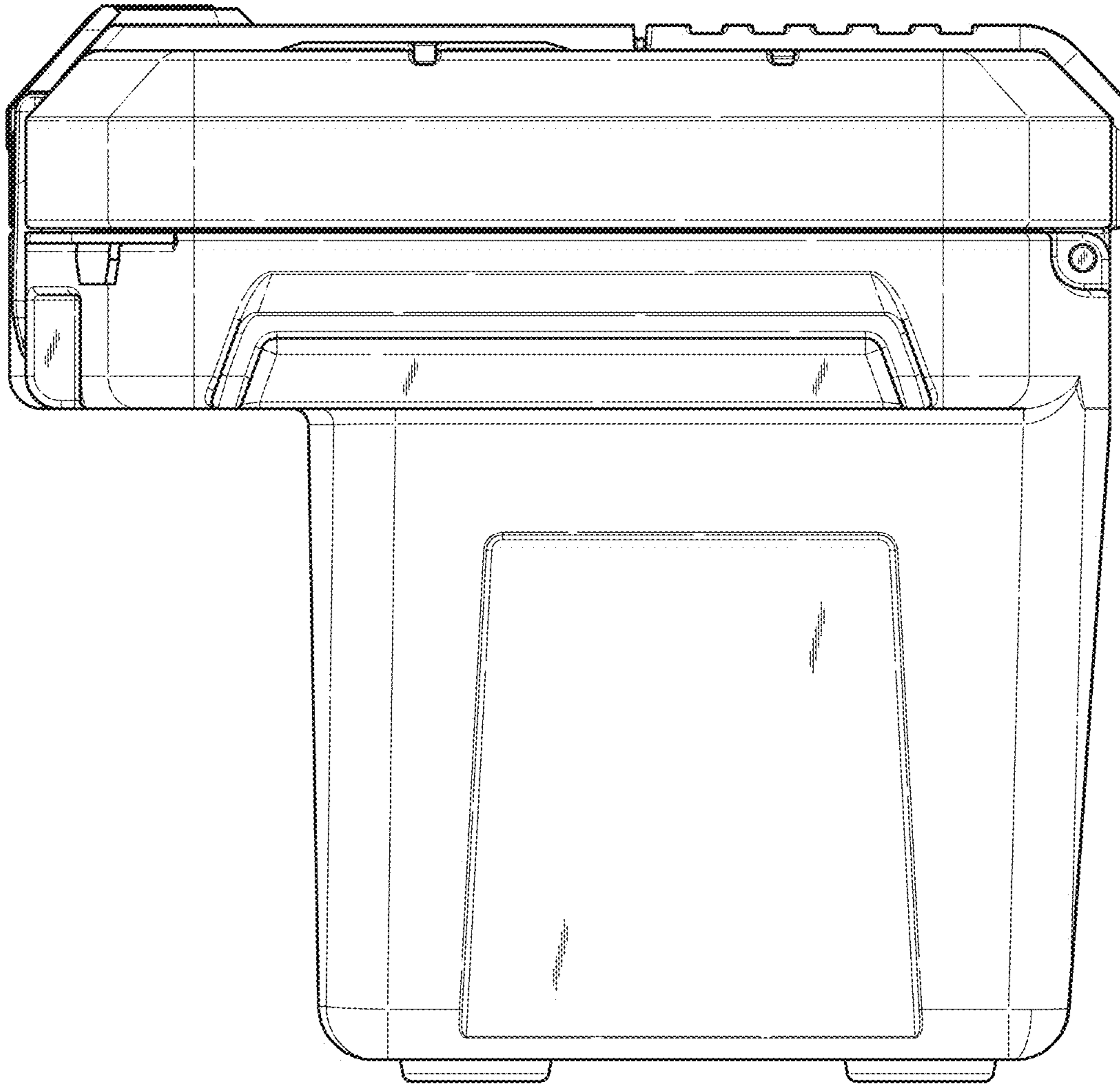


FIG. 7

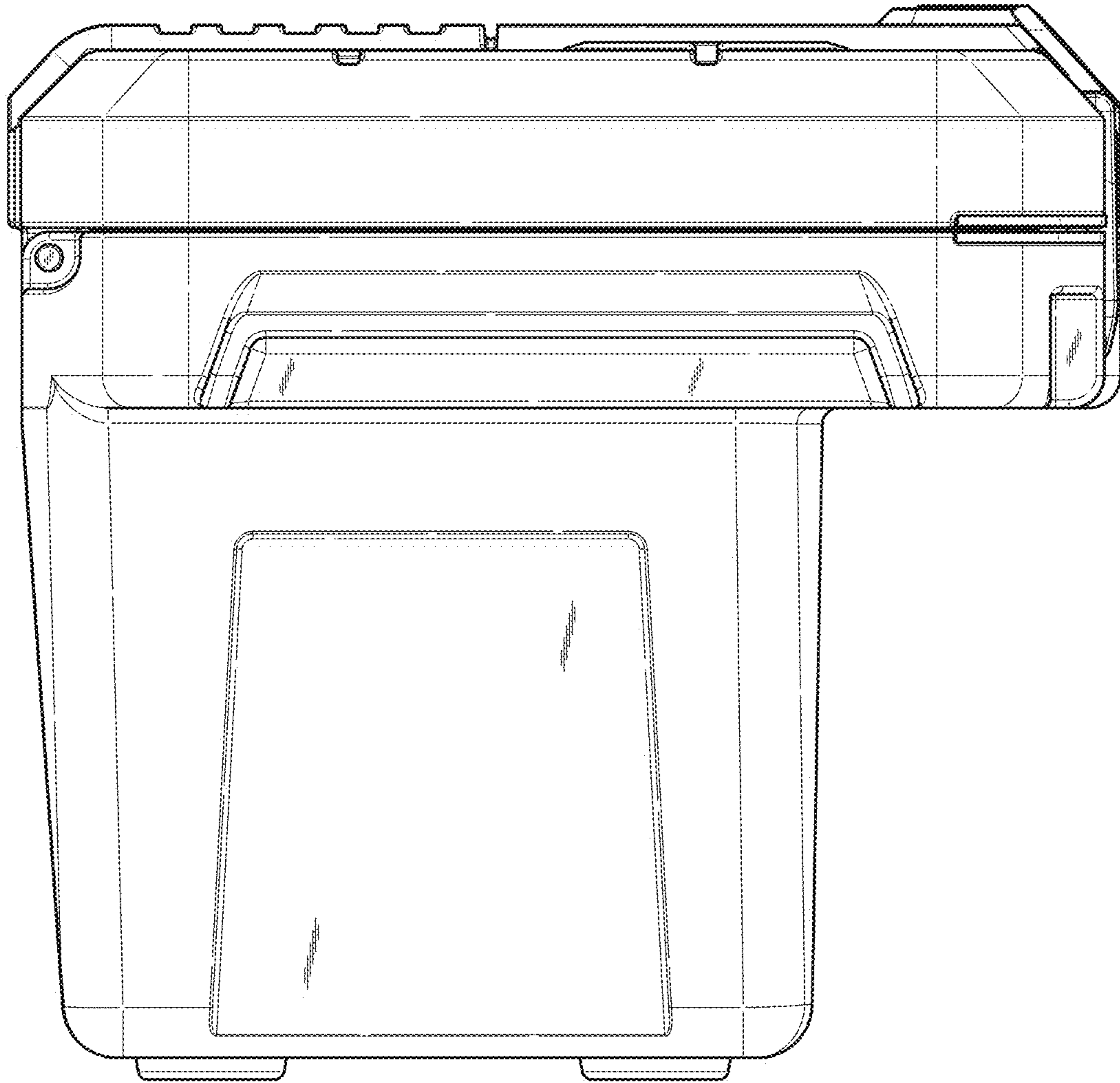


FIG. 8