



US00D996910S

(12) **United States Design Patent**
Parent

(10) **Patent No.:** **US D996,910 S**

(45) **Date of Patent:** **** Aug. 29, 2023**

(54) **SUCTION CUP TRAY WITH ANCHOR SYSTEM**

(71) Applicant: **Gabriel Parent**, Quebec (CA)

(72) Inventor: **Gabriel Parent**, Quebec (CA)

(**) Term: **15 Years**

(21) Appl. No.: **29/817,825**

(22) Filed: **Dec. 3, 2021**

(51) **LOC (14) Cl.** **07-01**

(52) **U.S. Cl.**
USPC **D7/553.1**

(58) **Field of Classification Search**
USPC D7/550.1, 551.1, 552.2, 553.1, 553.2,
D7/553.4, 555; D9/424, 716, 719, 761;
D30/129-130; D3/304, 313, 315
CPC B65D 1/34; B65D 21/00; B65D 21/0204;
A47G 23/06; A47G 23/0641; A47G
23/08; A47G 23/0208; A47G 23/0633;
A47B 23/00

See application file for complete search history.

(56) **References Cited**

U.S. PATENT DOCUMENTS

D339,030 S * 9/1993 Bitel, Sr. D7/552.2
D341,912 S 11/1993 Ayala
D375,438 S * 11/1996 Smith D7/553.6
D623,479 S * 9/2010 De Bretton Gordon D7/556
8,388,403 B2 3/2013 Seter
D691,854 S * 10/2013 Dabney-Wiggs D7/551.1
D697,370 S * 1/2014 Shannon D7/557

D734,098 S * 7/2015 Breton D7/553.6
D737,633 S * 9/2015 Breton D7/553.6
D838,142 S * 1/2019 Davies D7/553.2
D856,755 S * 8/2019 McCamey D7/566
D876,900 S * 3/2020 Clemett D7/556
D976,617 S * 1/2023 Fynbo D6/616
2008/0187709 A1 8/2008 Hester
2010/0176626 A1 7/2010 Centracco
2011/0036745 A1 2/2011 Seter

* cited by examiner

Primary Examiner — Kelley A Donnelly

(57) **CLAIM**

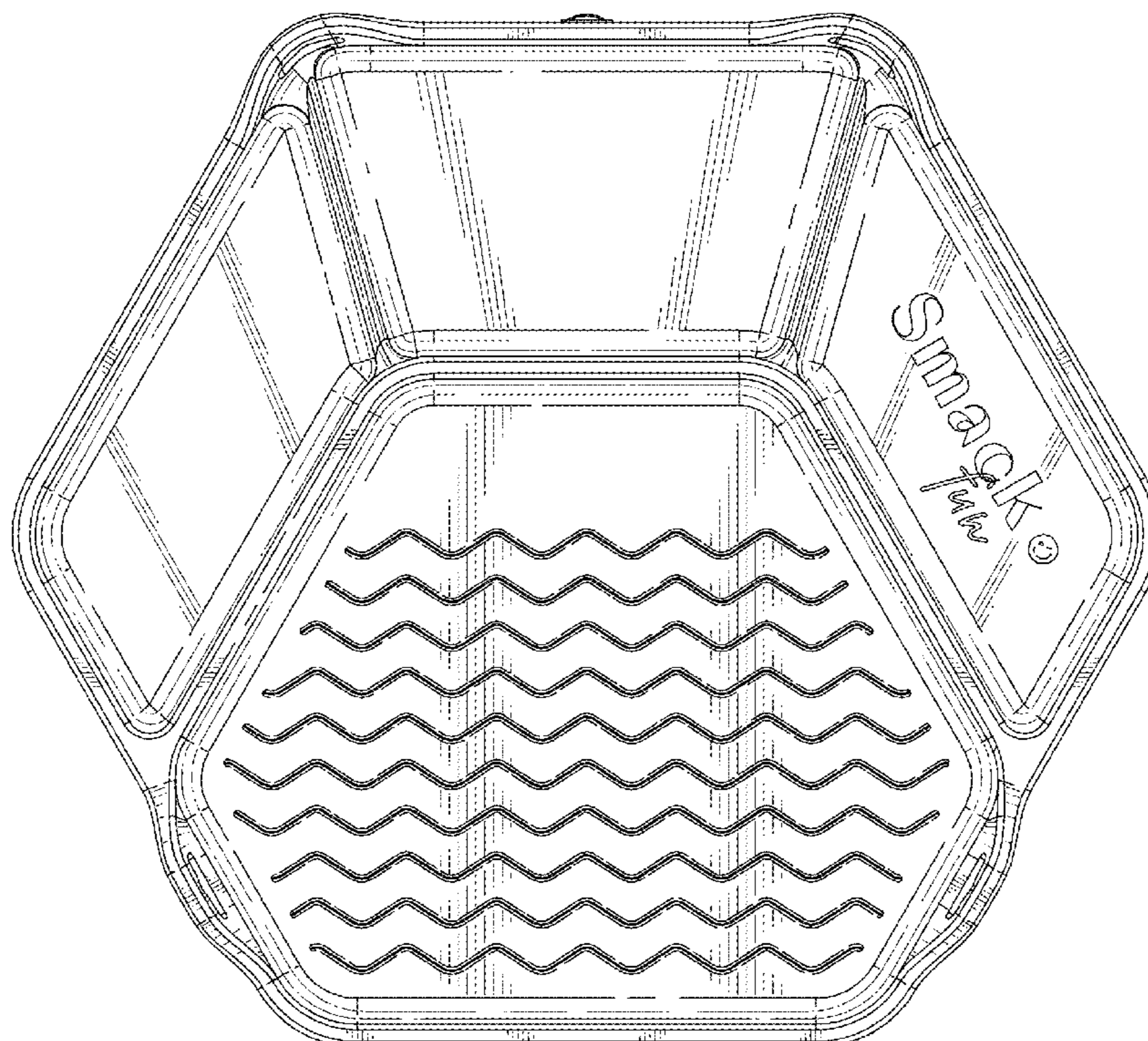
The ornamental design for a suction cup tray with anchor system, as shown and described.

DESCRIPTION

FIG. 1 is a top-right perspective view of a suction cup tray with anchor system thereof showing my new design; FIG. 2 is a top plan view thereof; FIG. 3 is a right side elevational view thereof; FIG. 4 is a left side elevational view thereof; FIG. 5 is a top-left perspective view thereof; FIG. 6 is a top-left perspective view thereof; FIG. 7 is a bottom plan view thereof; FIG. 8 is a bottom-right perspective view thereof. FIG. 9 is a bottom-left perspective view thereof; FIG. 10 is a bottom-left perspective view thereof; FIG. 11 is a front elevational view thereof; and, FIG. 12 is a rear elevational view thereof.

The broken lines shown on the surface of the suction cup tray with anchor system, illustrate portions of the article which form no part of the claimed design.

1 Claim, 12 Drawing Sheets



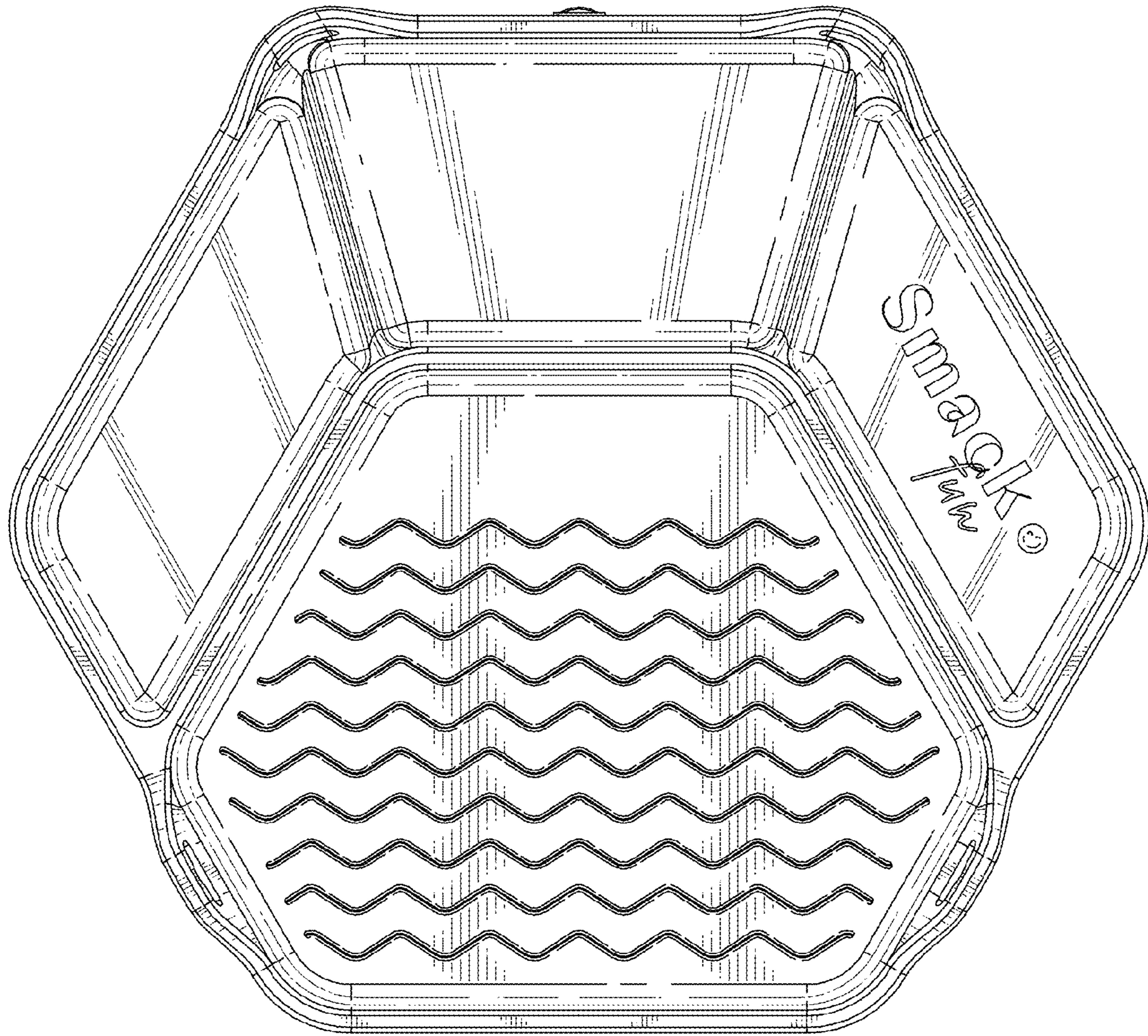


FIG. 1

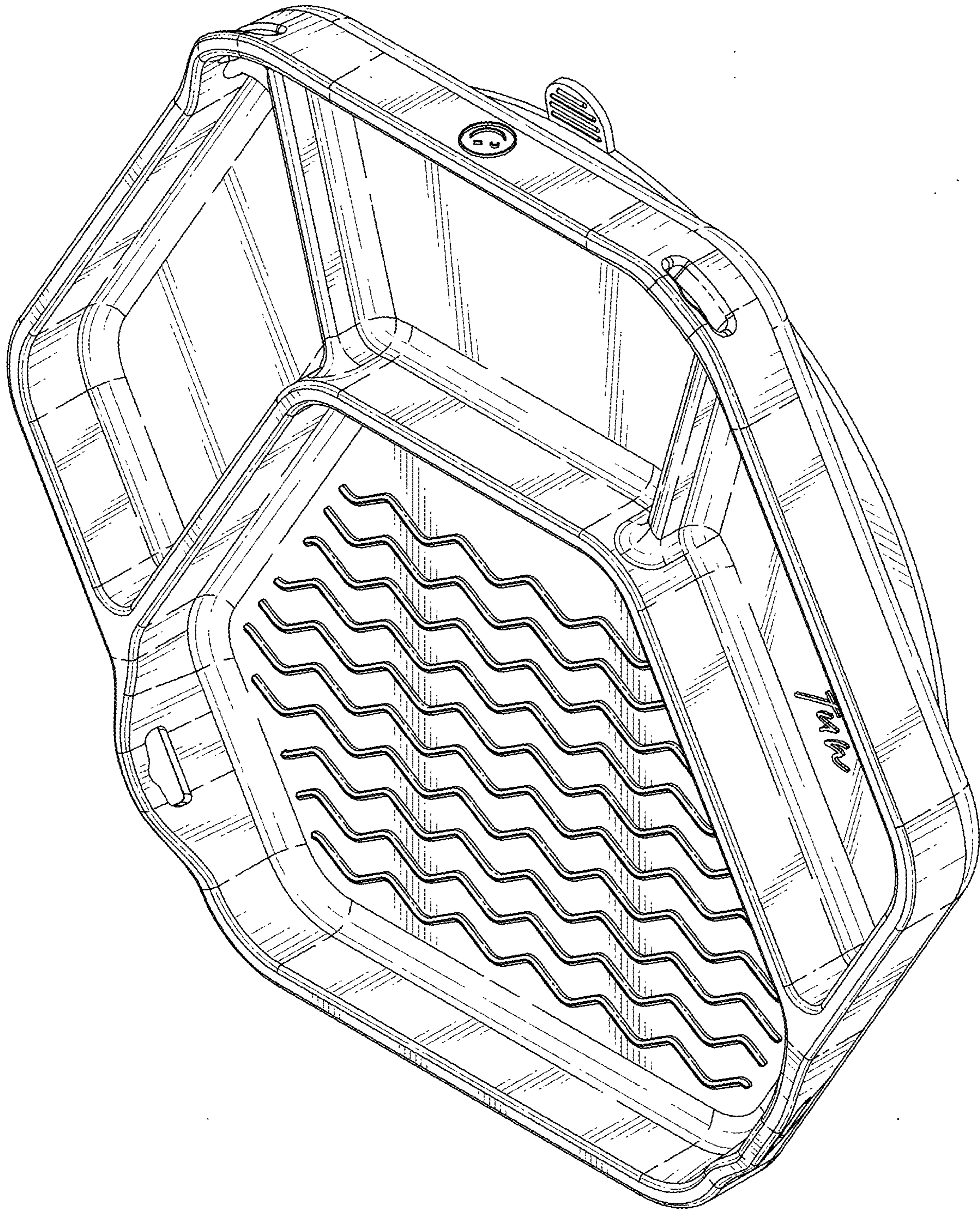


FIG. 2

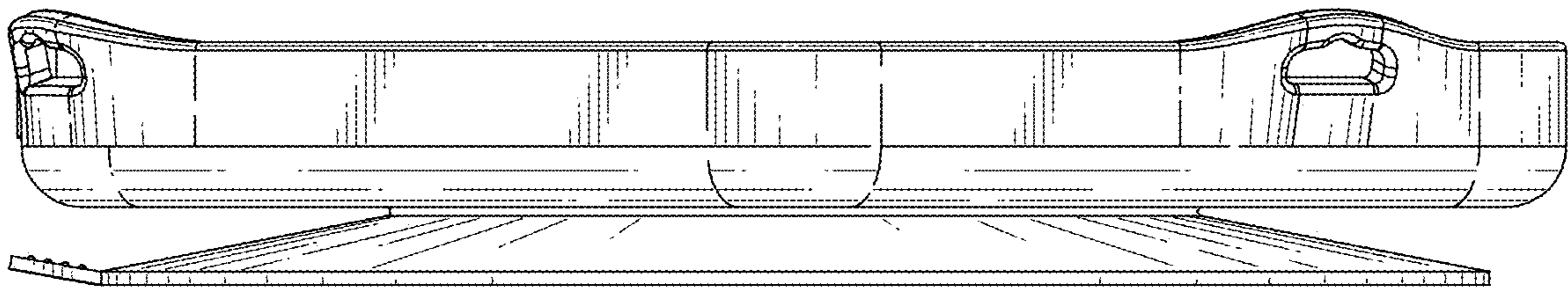


FIG. 3

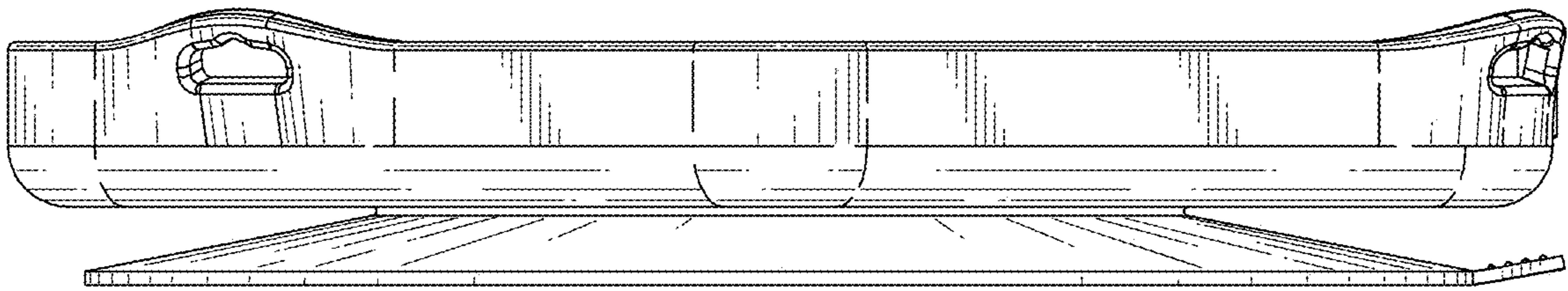


FIG. 4

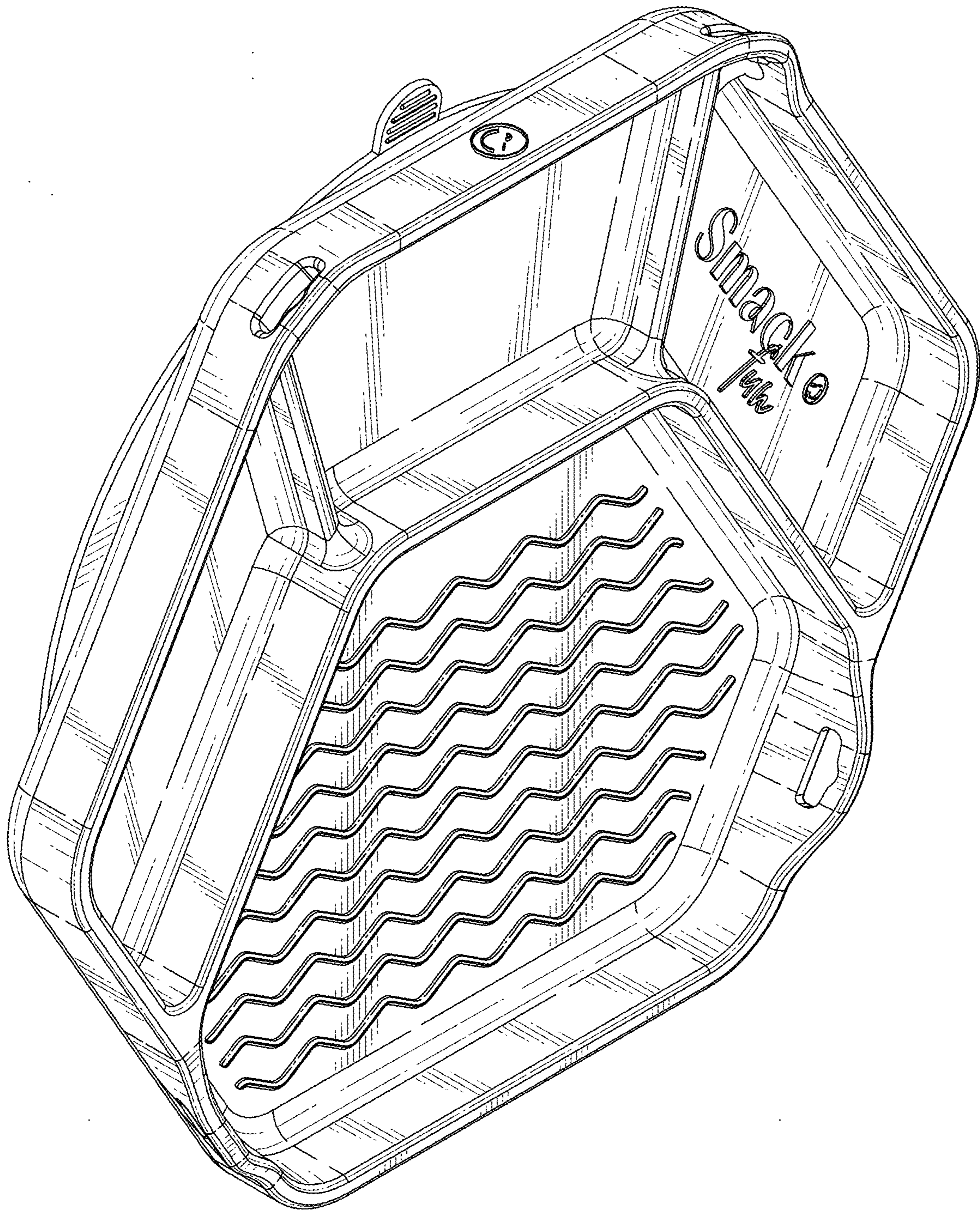


FIG. 5

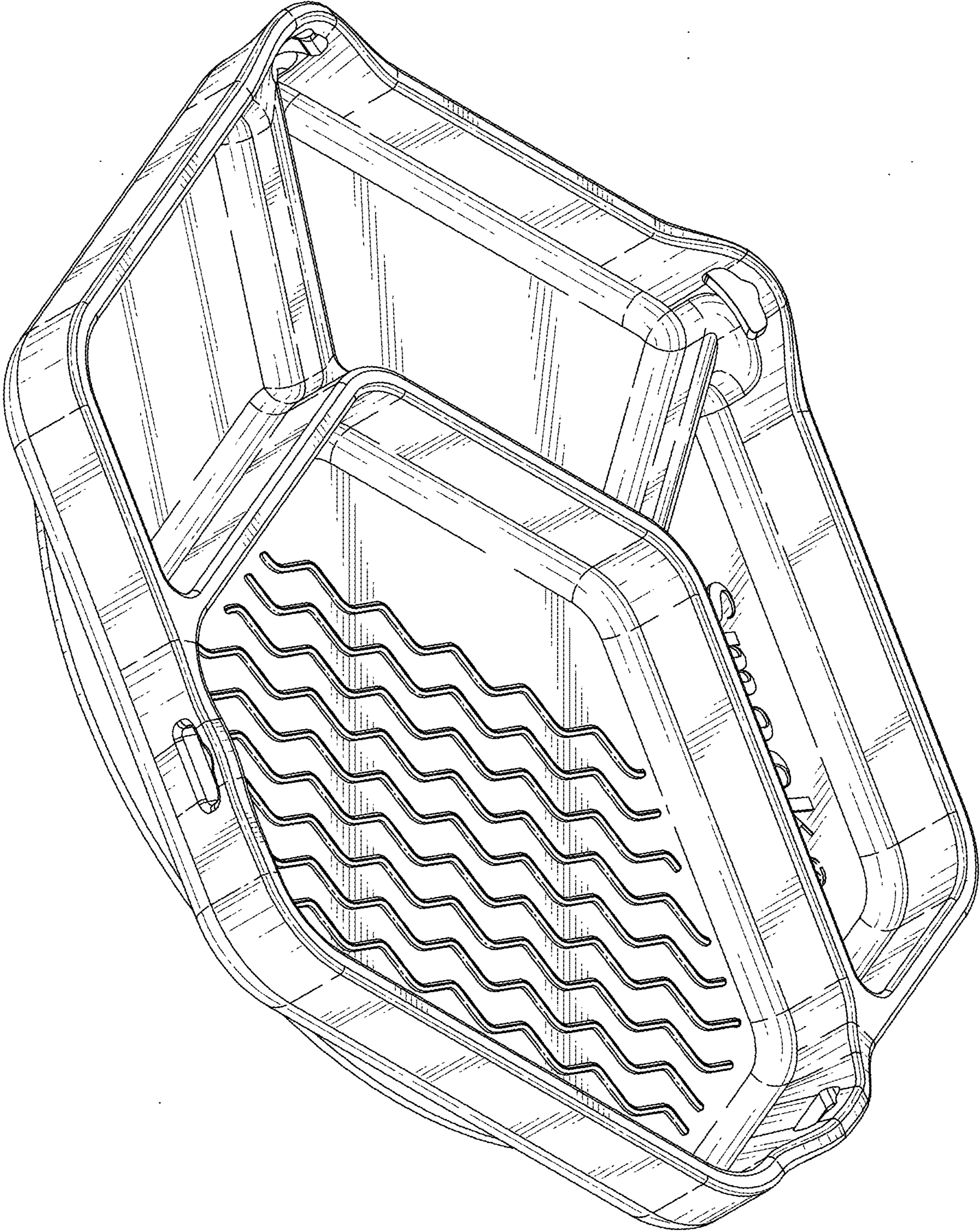


FIG. 6

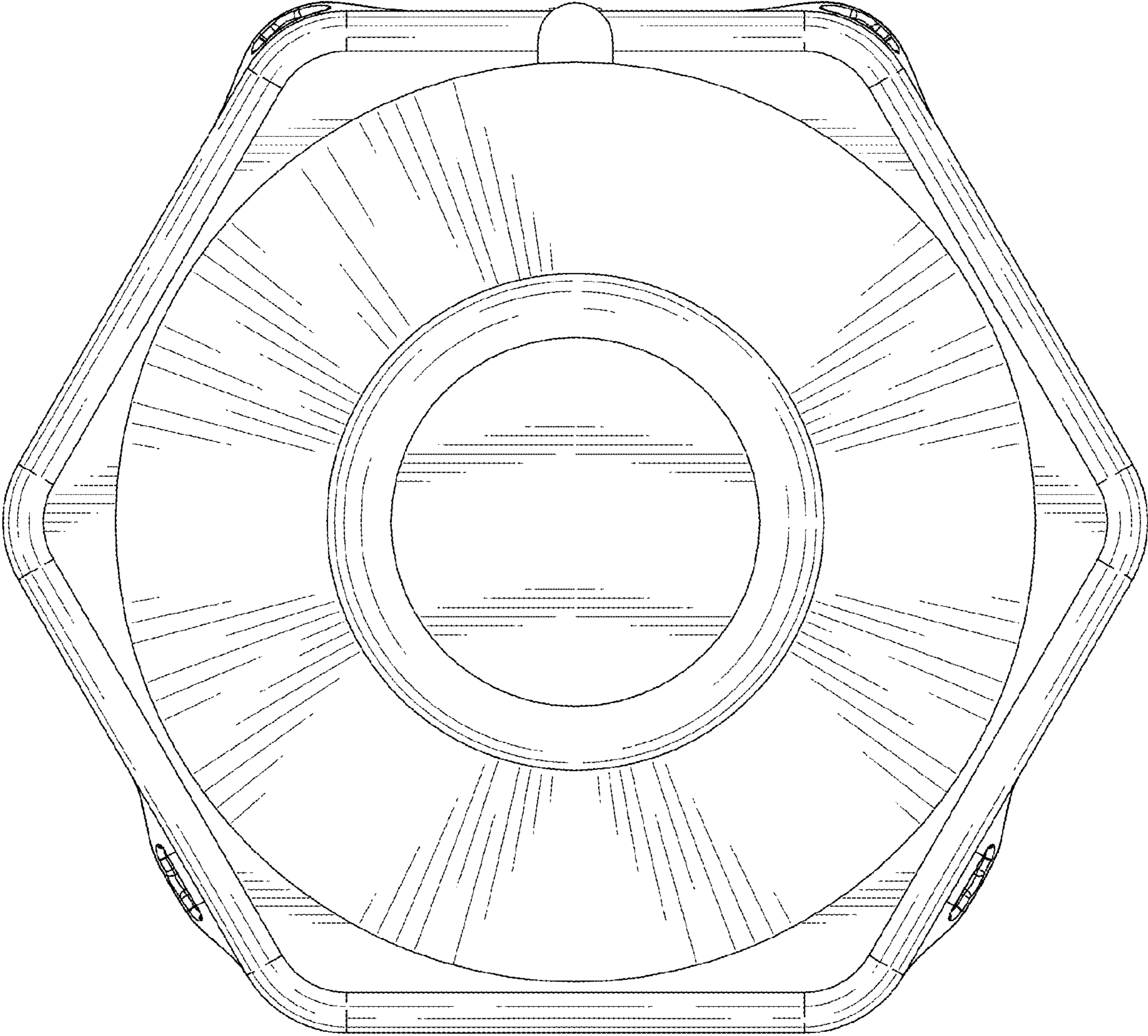


FIG. 7

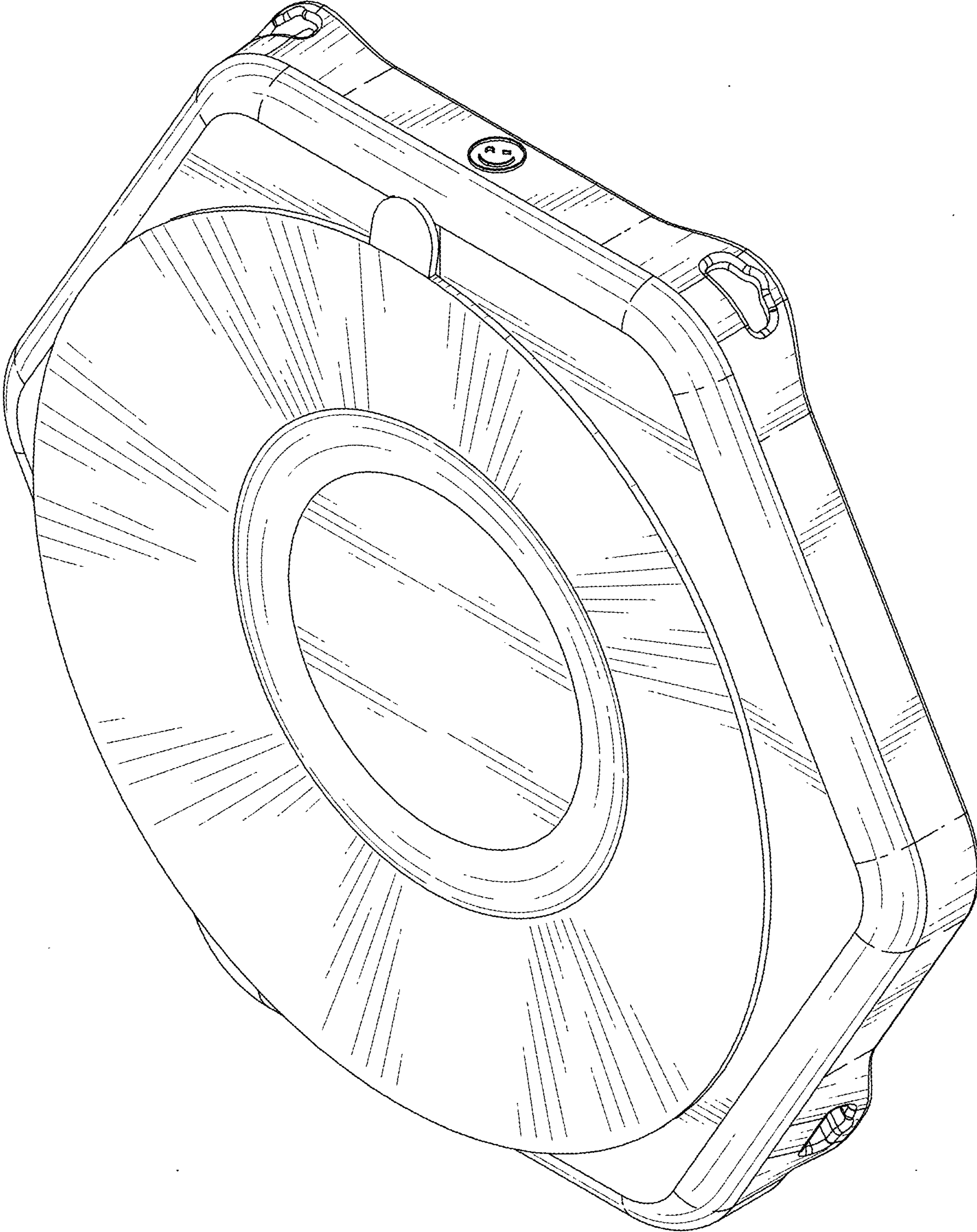


FIG. 8

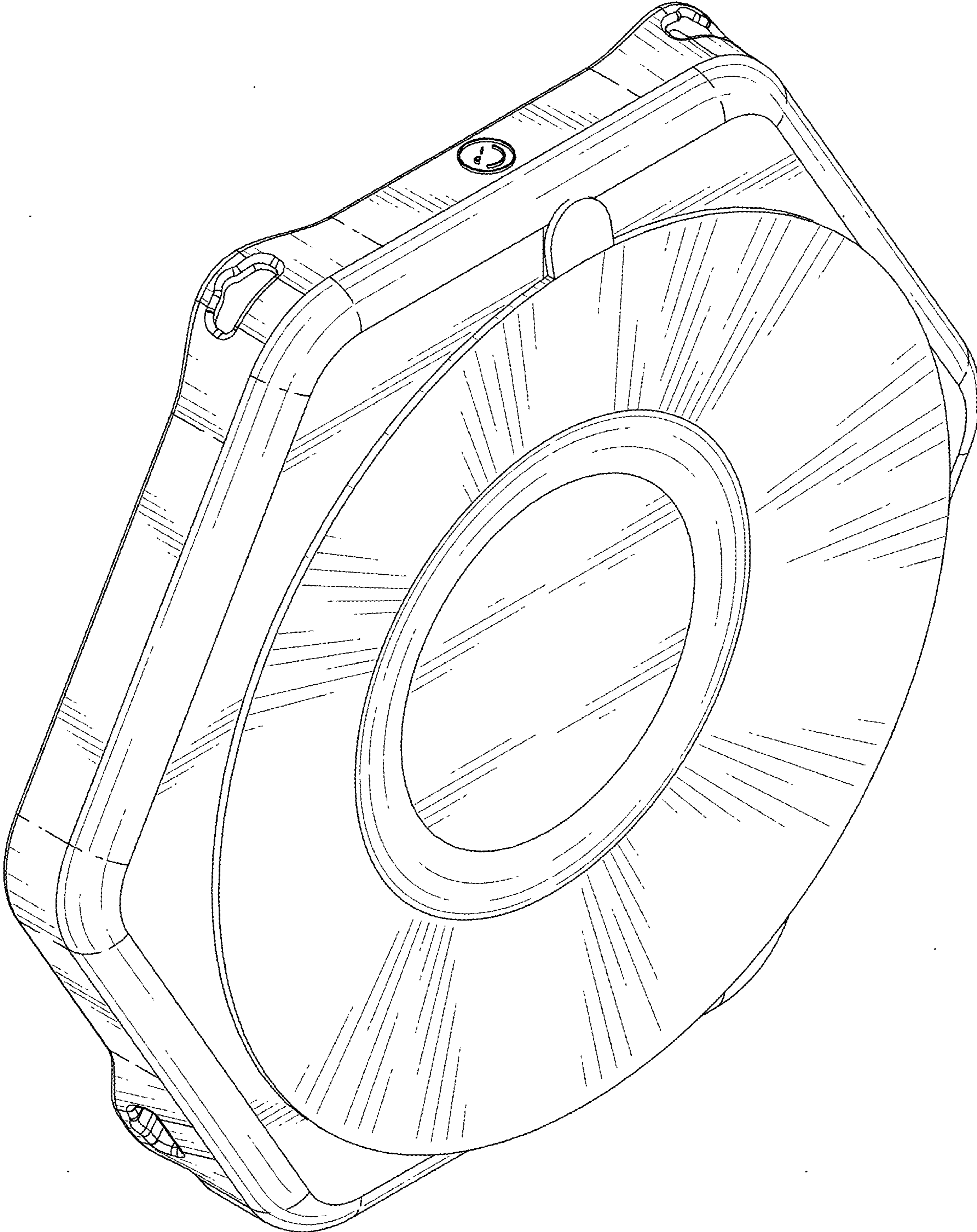


FIG. 9

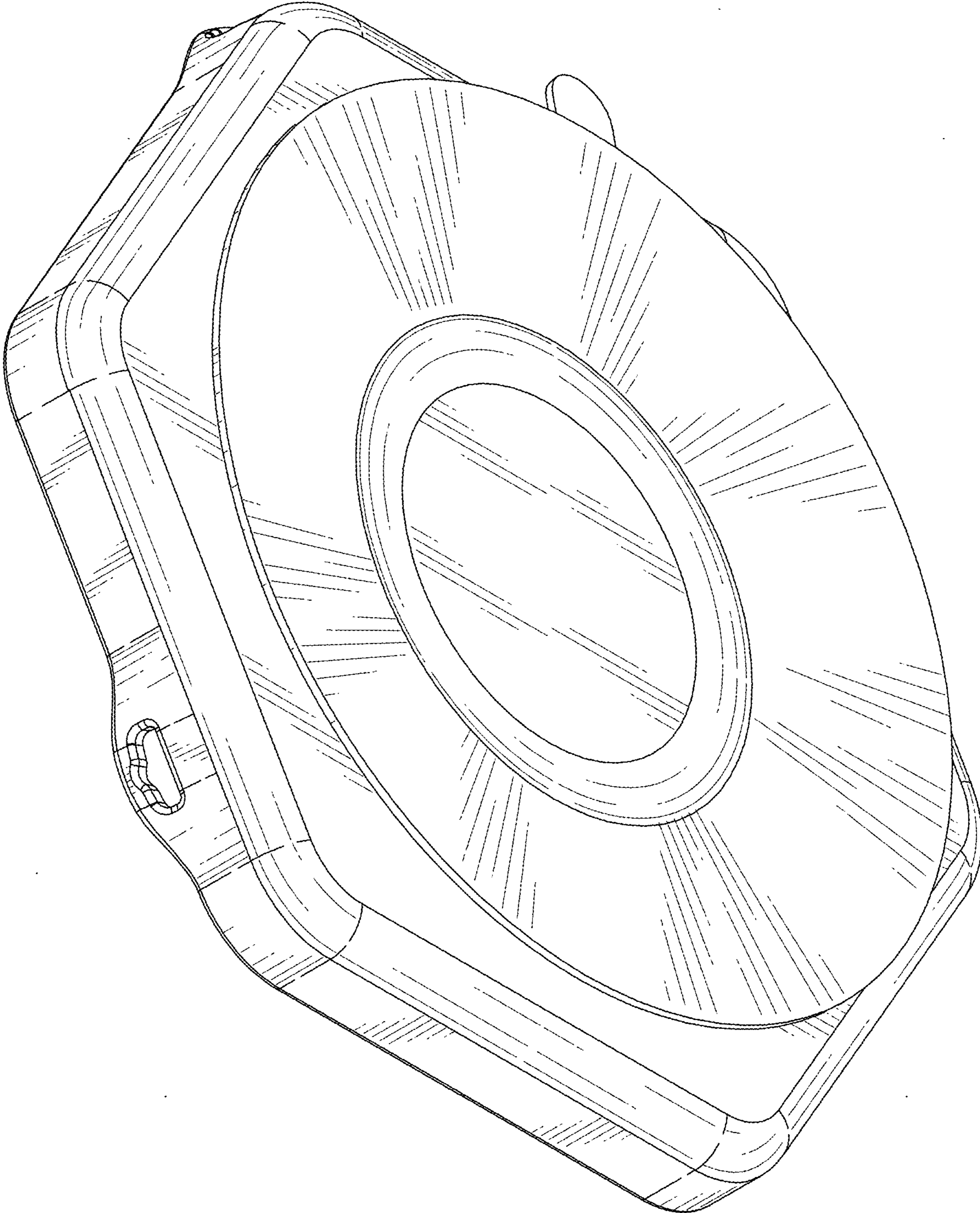


FIG. 10

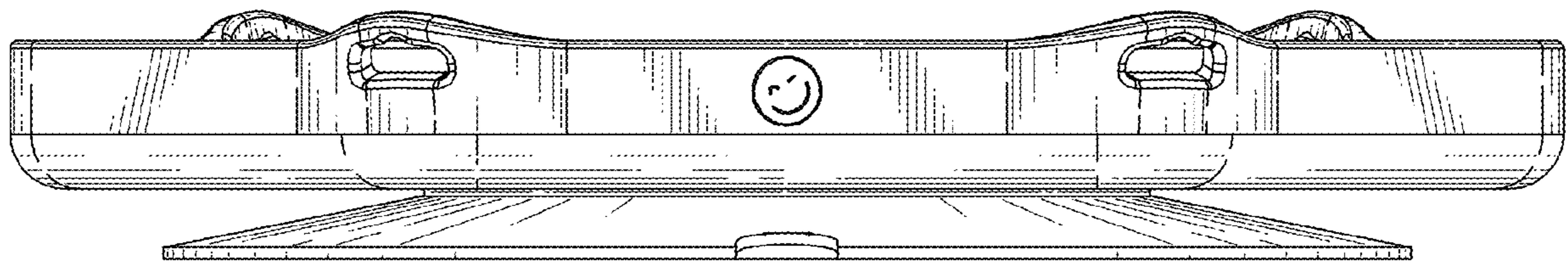


FIG. 11

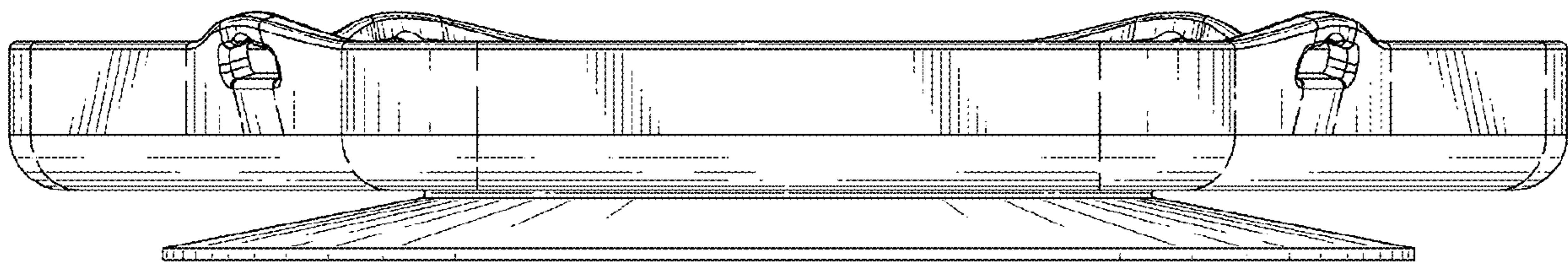


FIG. 12