



US00D996557S

(12) **United States Design Patent** (10) **Patent No.:** **US D996,557 S**  
**Lyles** (45) **Date of Patent:** **\*\* Aug. 22, 2023**

(54) **UNIVERSAL HEATED HAND GRIP**

6,727,467 B1 4/2004 Hadzizukic et al.  
D639,888 S \* 6/2011 McPherson ..... D22/107  
D669,552 S \* 10/2012 Essig ..... F41C 23/10  
D22/108

(71) Applicant: **John Lyles**, Cherry Hill, NJ (US)

(72) Inventor: **John Lyles**, Cherry Hill, NJ (US)

(Continued)

(\*\*) Term: **15 Years**

**FOREIGN PATENT DOCUMENTS**

(21) Appl. No.: **29/805,565**

EP 1657519 A1 \* 5/2006 ..... F41C 23/10  
WO WO2014152449 A9 11/2014

(22) Filed: **Aug. 27, 2021**

**OTHER PUBLICATIONS**

(51) **LOC (14) Cl.** ..... **22-01**

(52) **U.S. Cl.**

USPC ..... **D22/108**; D22/107

(58) **Field of Classification Search**

USPC ..... D22/100, 101, 103, 108, 109, 107, 126;  
D21/573

CPC . F41G 1/00; F41G 1/22; F41G 11/003; F41A  
21/26; F41A 35/04; F41A 35/02; F41C  
23/00; F41C 23/06; F41C 23/20; F41C  
23/14; F41C 23/16

See application file for complete search history.

“Hogue Hunting Grip Ruger Mkiv Finger Groove & Right Thumb Rest” [online]. Hogue. [Product first available on May 3, 2018]. Retrieved from the Internet: <<https://www.amazon.com/dp/B07CTSZL79/>>.\*

*Primary Examiner* — Mojtaba Tehrani

(57) **CLAIM**

The ornamental design for a universal heated hand grip, as shown and described.

**DESCRIPTION**

(56) **References Cited**

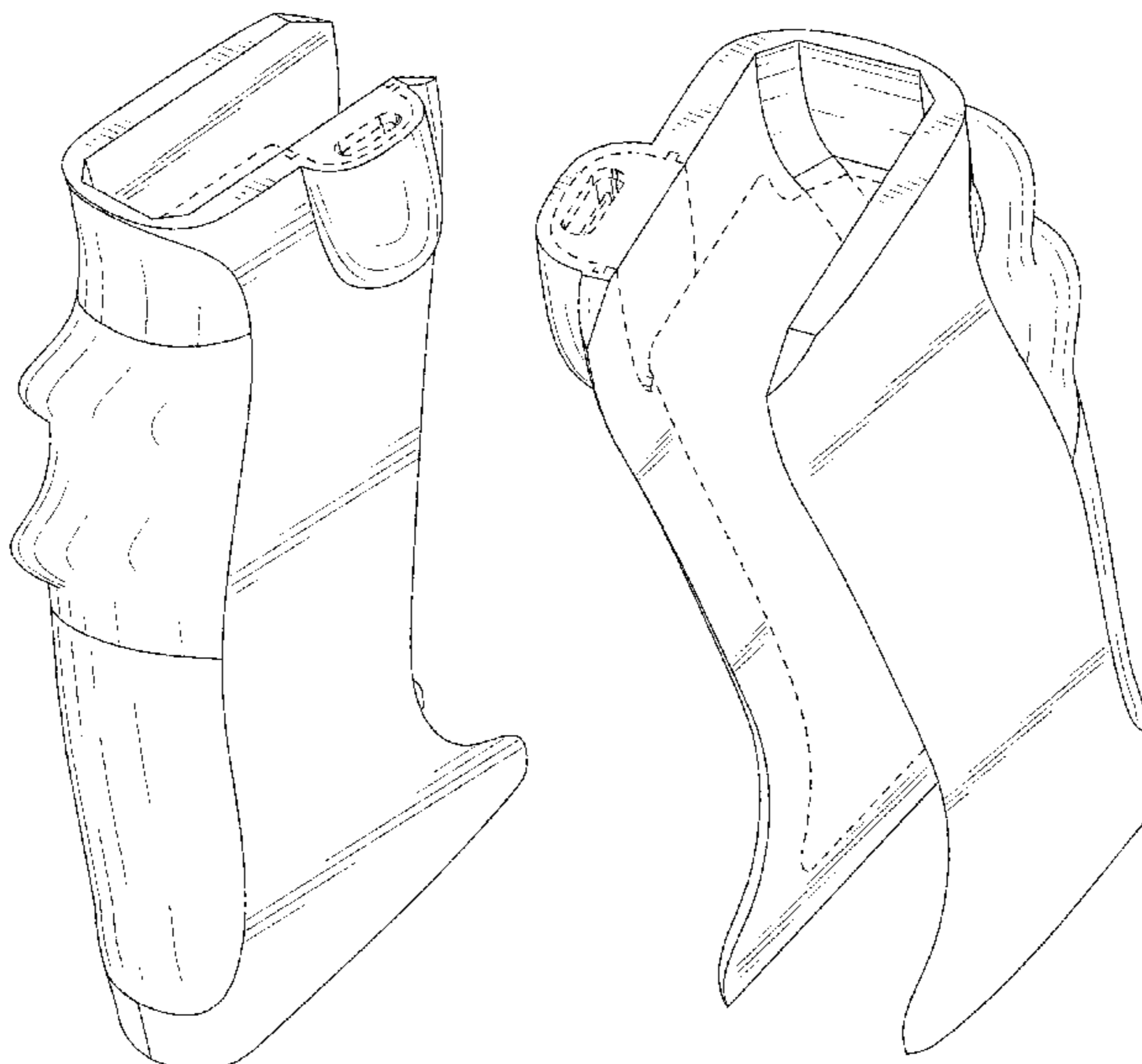
**U.S. PATENT DOCUMENTS**

3,878,361	A	4/1975	Levin et al.	
4,879,988	A *	11/1989	Larson	F41B 5/143 124/88
4,937,429	A	6/1990	Hollander	
5,070,856	A *	12/1991	Plummer	F41B 5/14 2/161.5
5,333,595	A *	8/1994	Heffron	F41B 5/0052 124/24.1
D374,903	S *	10/1996	Pearce	D22/104
5,585,026	A	12/1996	Smith, Jr. et al.	
5,655,328	A	8/1997	Childs	
5,842,460	A *	12/1998	Barber	F41B 5/14 124/88
5,934,267	A	8/1999	Briner	
D420,717	S *	2/2000	Donnelly	F41C 23/10 D22/104

FIG. 1 is a front-top-left perspective view of a universal heated hand grip showing my new design; FIG. 2 is a front-bottom-right perspective view thereof; FIG. 3 is a rear-top-right perspective view thereof; FIG. 4 is a rear-bottom-left view thereof; FIG. 5 is a front elevational view thereof; FIG. 6 is a rear elevational view thereof; FIG. 7 is a left elevational view thereof; FIG. 8 is a right elevational view thereof; FIG. 9 is an enlarged top plan view thereof; FIG. 10 is an enlarged bottom plan view thereof; and, FIG. 11 is a cross-sectional view taken along the line 11-11 in FIG. 5.

The broken lines showing an insulating pad in FIGS. 1, 2, 3, 4, 6, 9, 10, and 11, and portions of a plug in FIGS. 1, 3, and 9 are included for the purpose of illustrating environmental structure and form no part of the claimed design.

**1 Claim, 11 Drawing Sheets**



(56)

**References Cited**

U.S. PATENT DOCUMENTS

D669,957	S *	10/2012	Hughes	.....	F41C 23/10
					D22/108
D673,238	S *	12/2012	Siddle	.....	D22/108
D709,585	S *	7/2014	Kleckner	.....	D22/108
D726,861	S *	4/2015	Siddle	.....	F41C 23/10
					D22/108
D734,418	S *	7/2015	Hines	.....	D22/108
D738,987	S *	9/2015	Hughes	.....	D22/109
9,377,268	B2 *	6/2016	White	.....	F41B 5/0031
D763,398	S *	8/2016	Anderson	.....	D22/109
D783,756	S *	4/2017	McPherson	.....	D22/107
10,006,738	B2	6/2018	Stoppenhagen		
D830,490	S *	10/2018	Toole	.....	D22/108
D861,821	S *	10/2019	Shelton	.....	D22/108
D895,757	S *	9/2020	Leis	.....	D21/571
D943,046	S *	2/2022	Johnston	.....	D22/108
2005/0103769	A1	5/2005	Marquis		
2012/0129623	A1	5/2012	Gill et al.		
2016/0193514	A1	7/2016	Goldberg		
2016/0349002	A1 *	12/2016	Anderson	.....	F41C 23/10
2018/0347938	A1 *	12/2018	Hogue	.....	F41C 23/18
2018/0369668	A1	12/2018	King		
2020/0141691	A1	5/2020	Atkinson		

\* cited by examiner

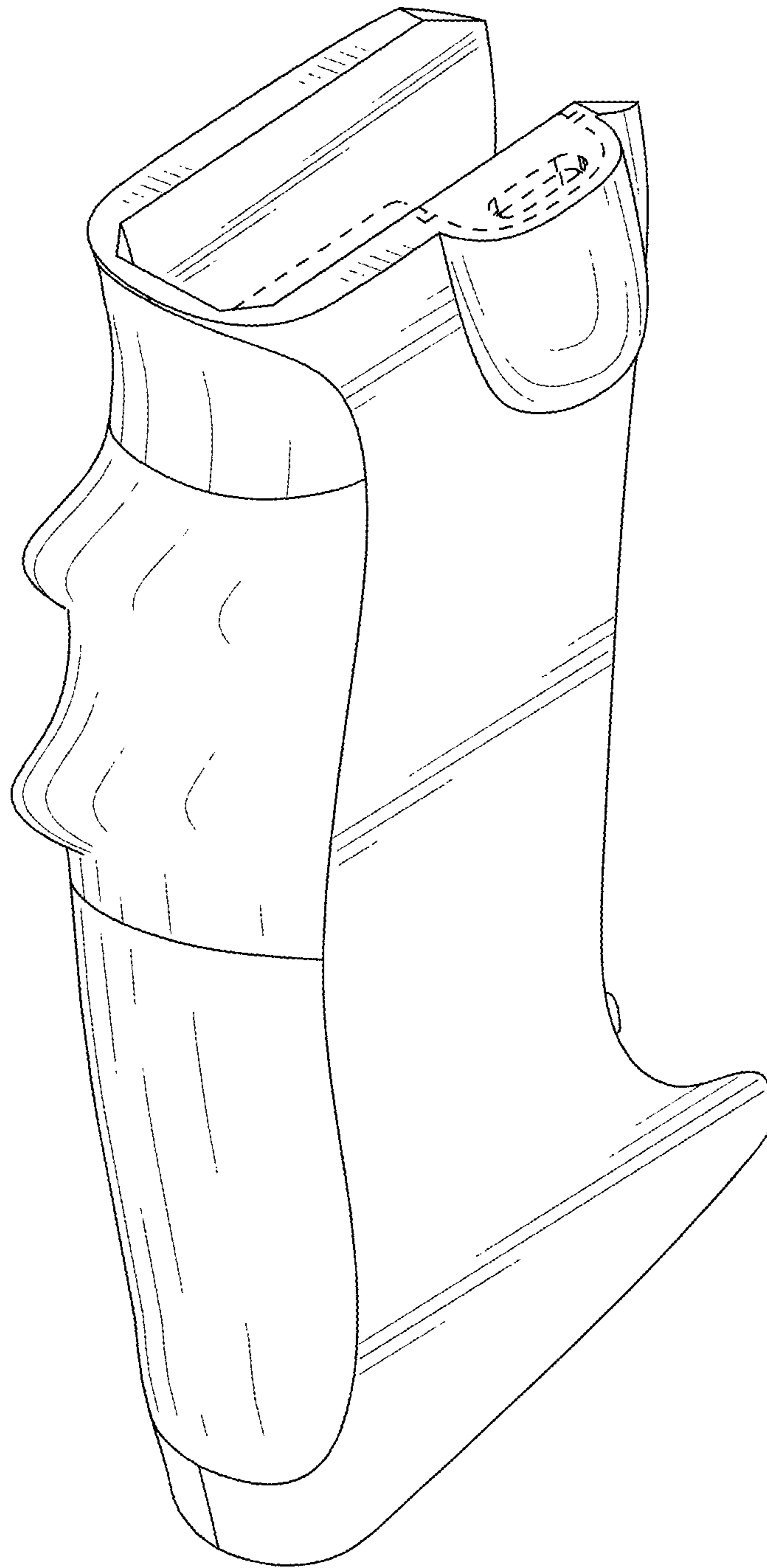


FIG. 1

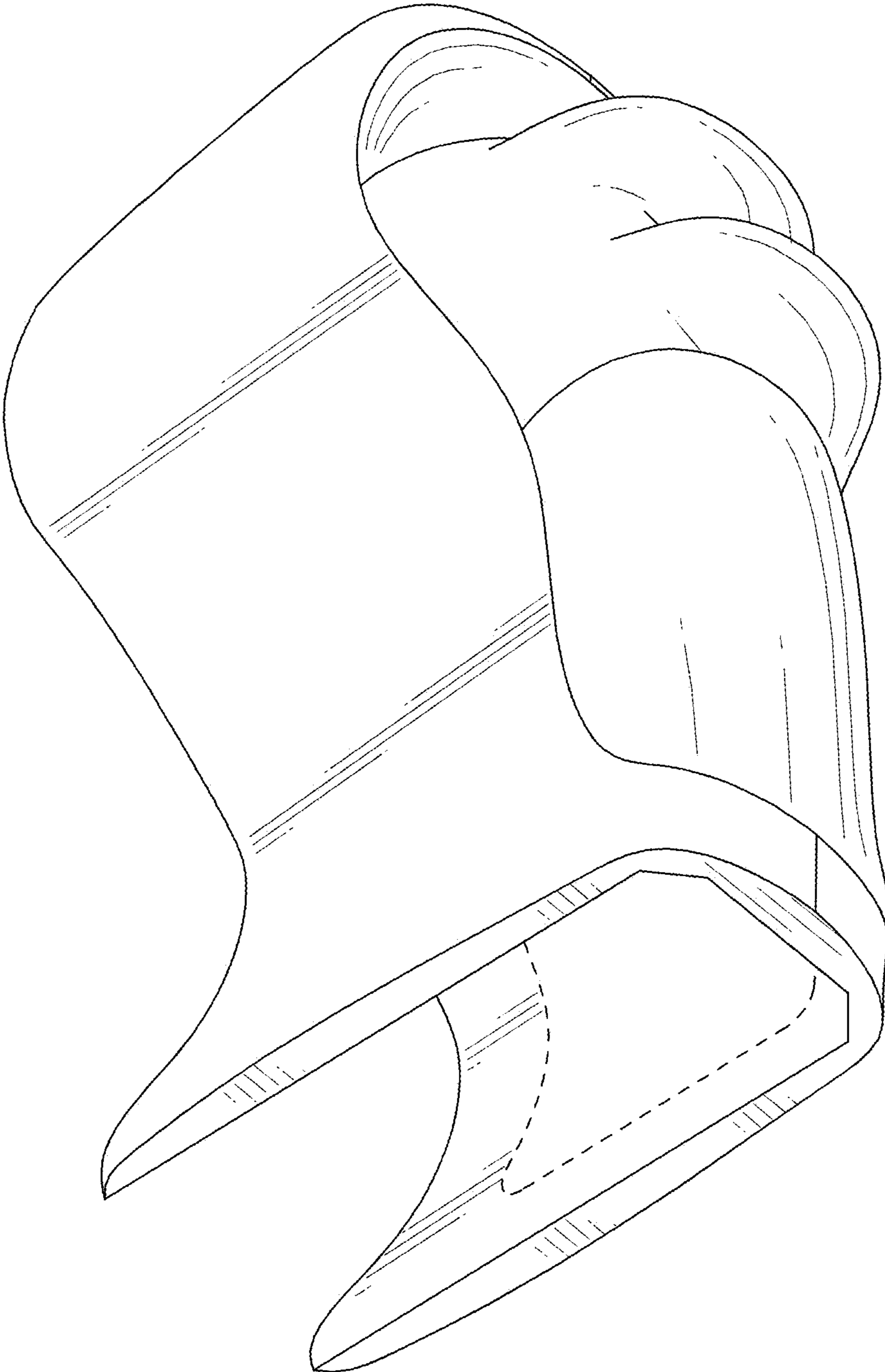


FIG. 2

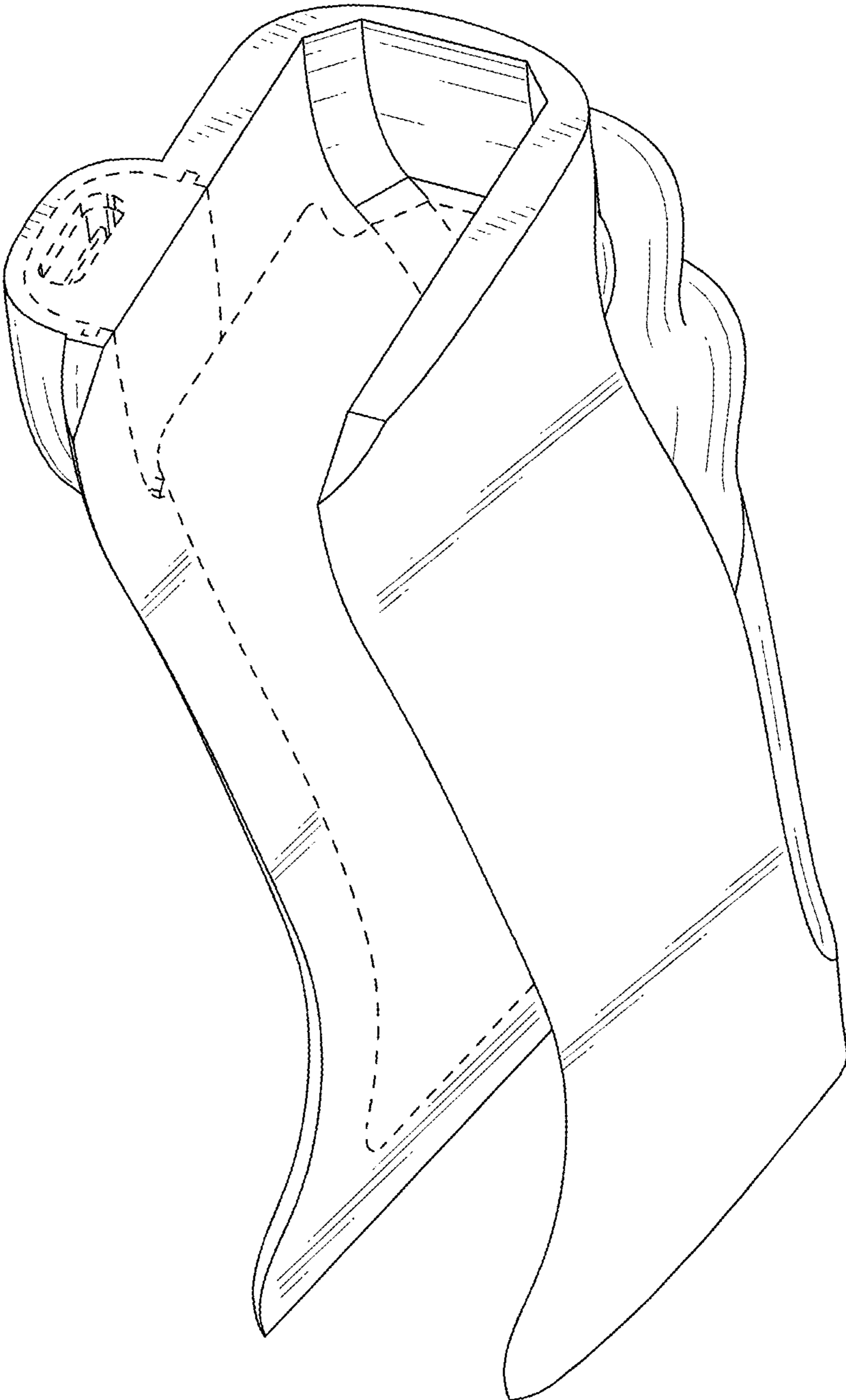


FIG. 3

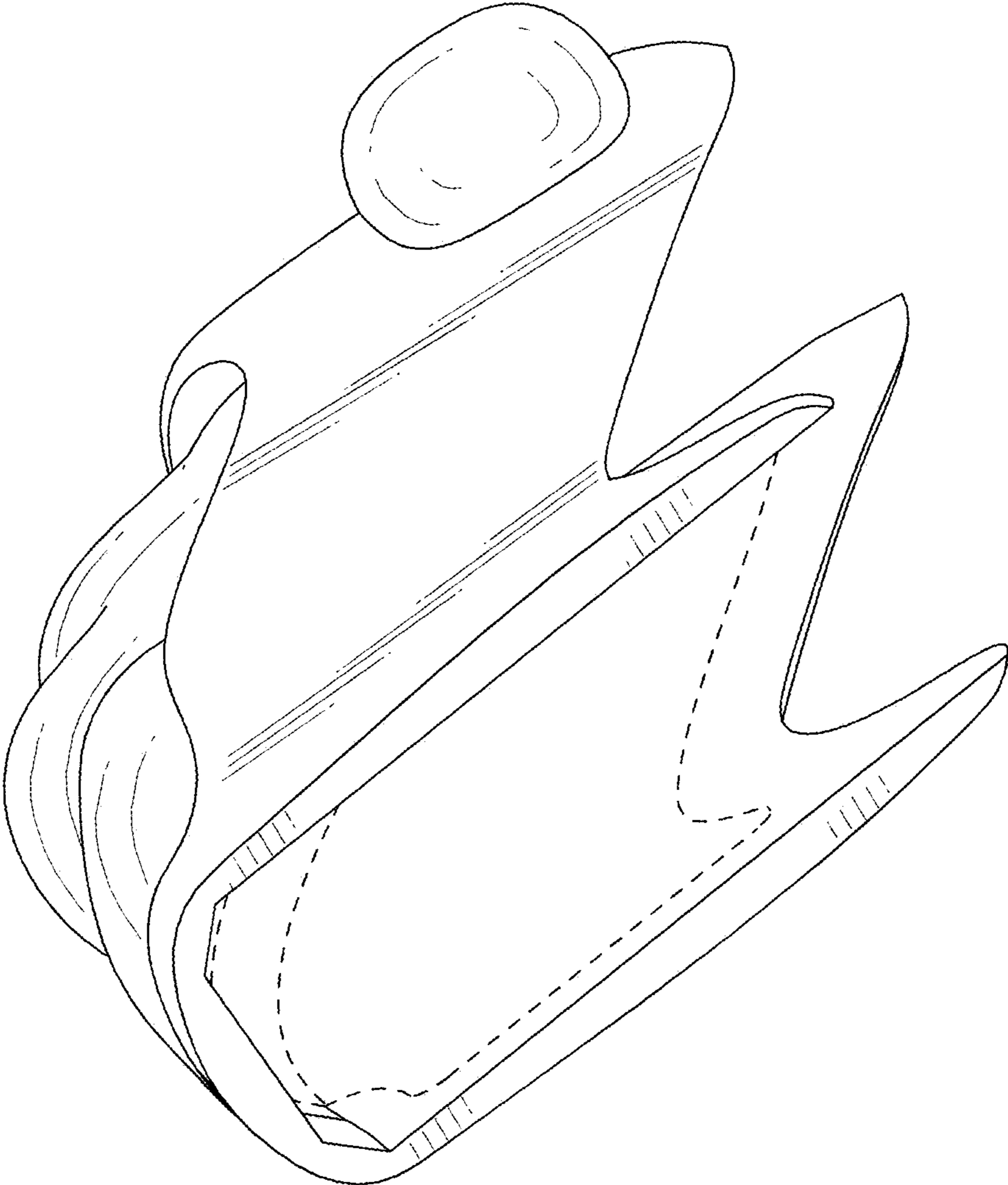


FIG. 4

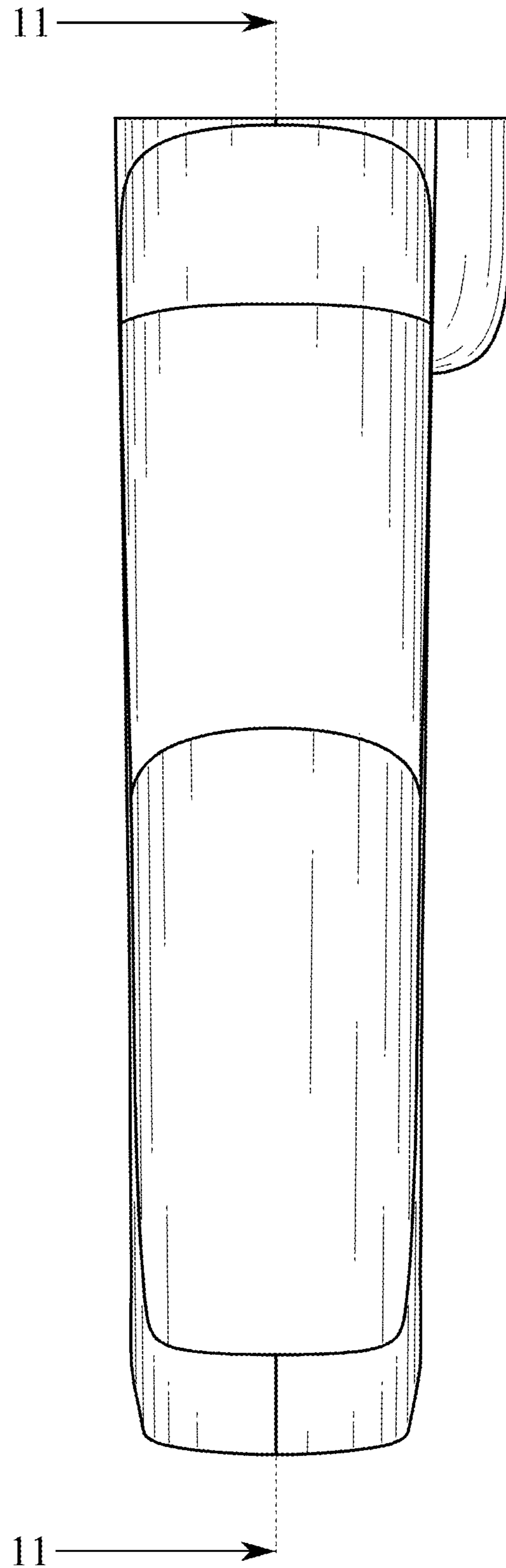


FIG. 5

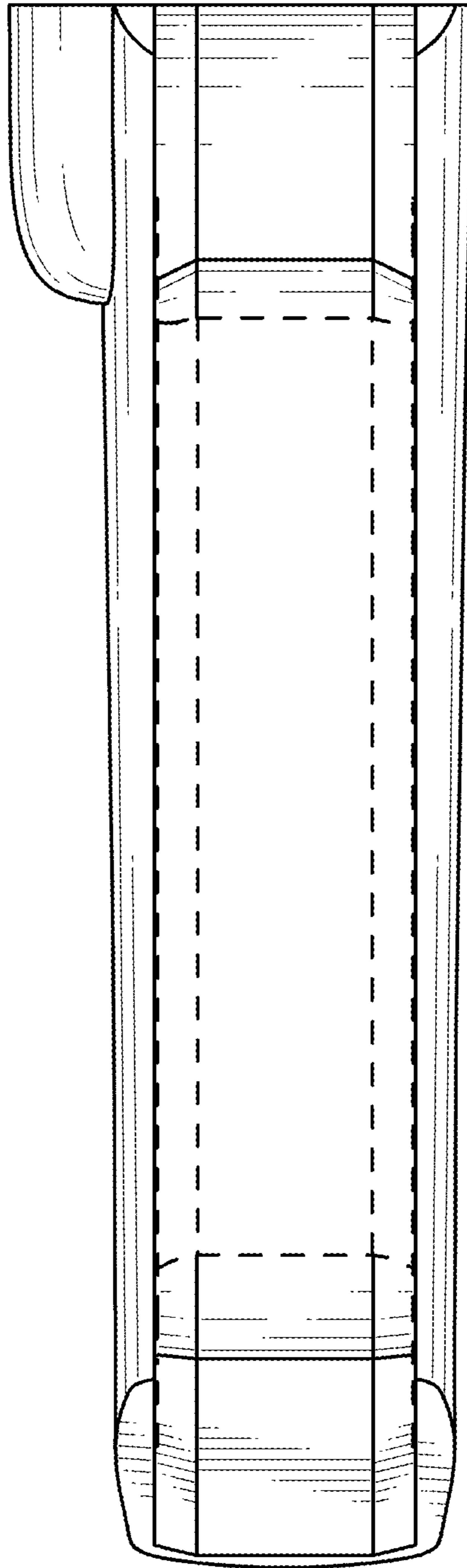


FIG. 6



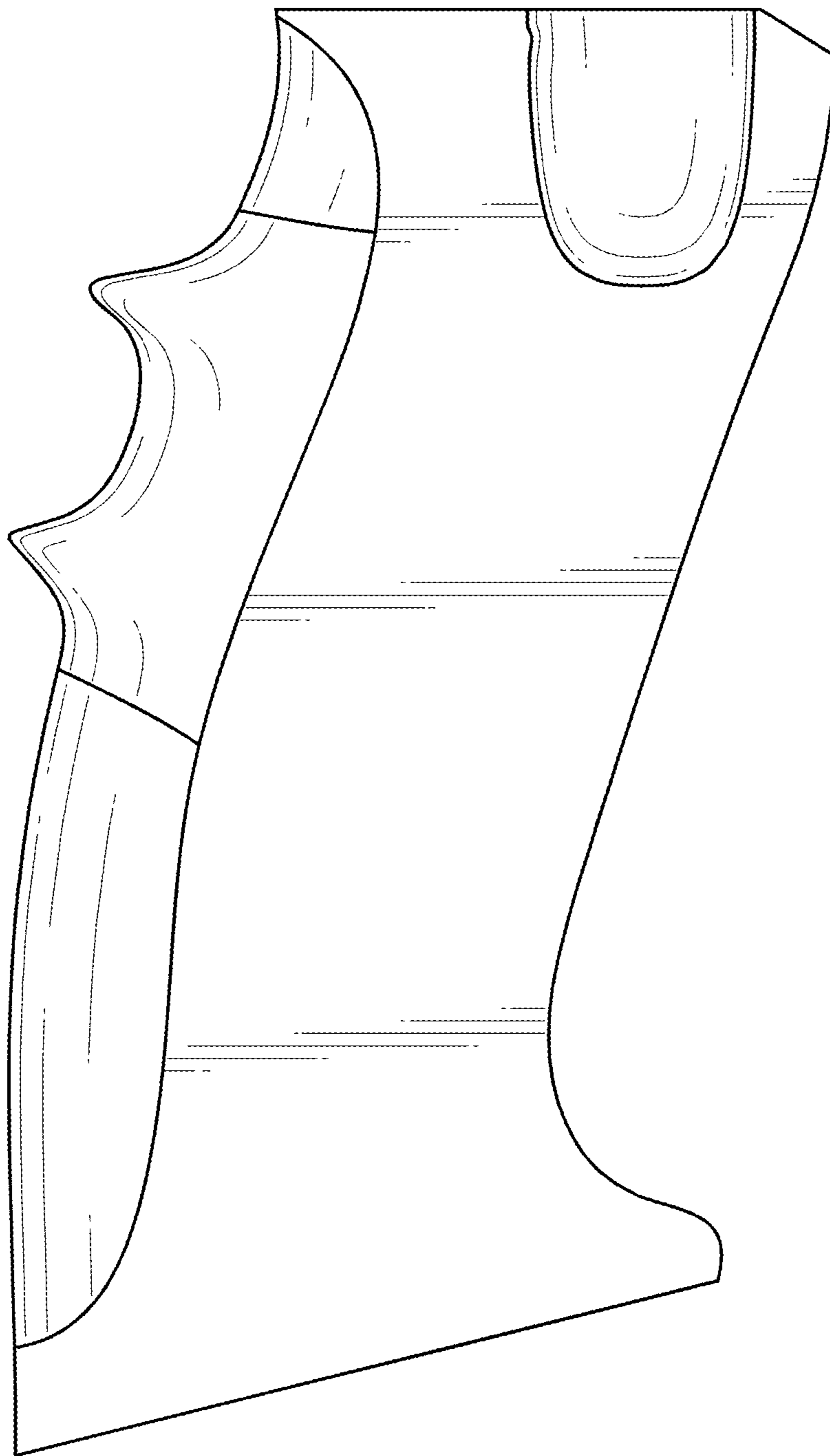


FIG. 7



FIG. 8

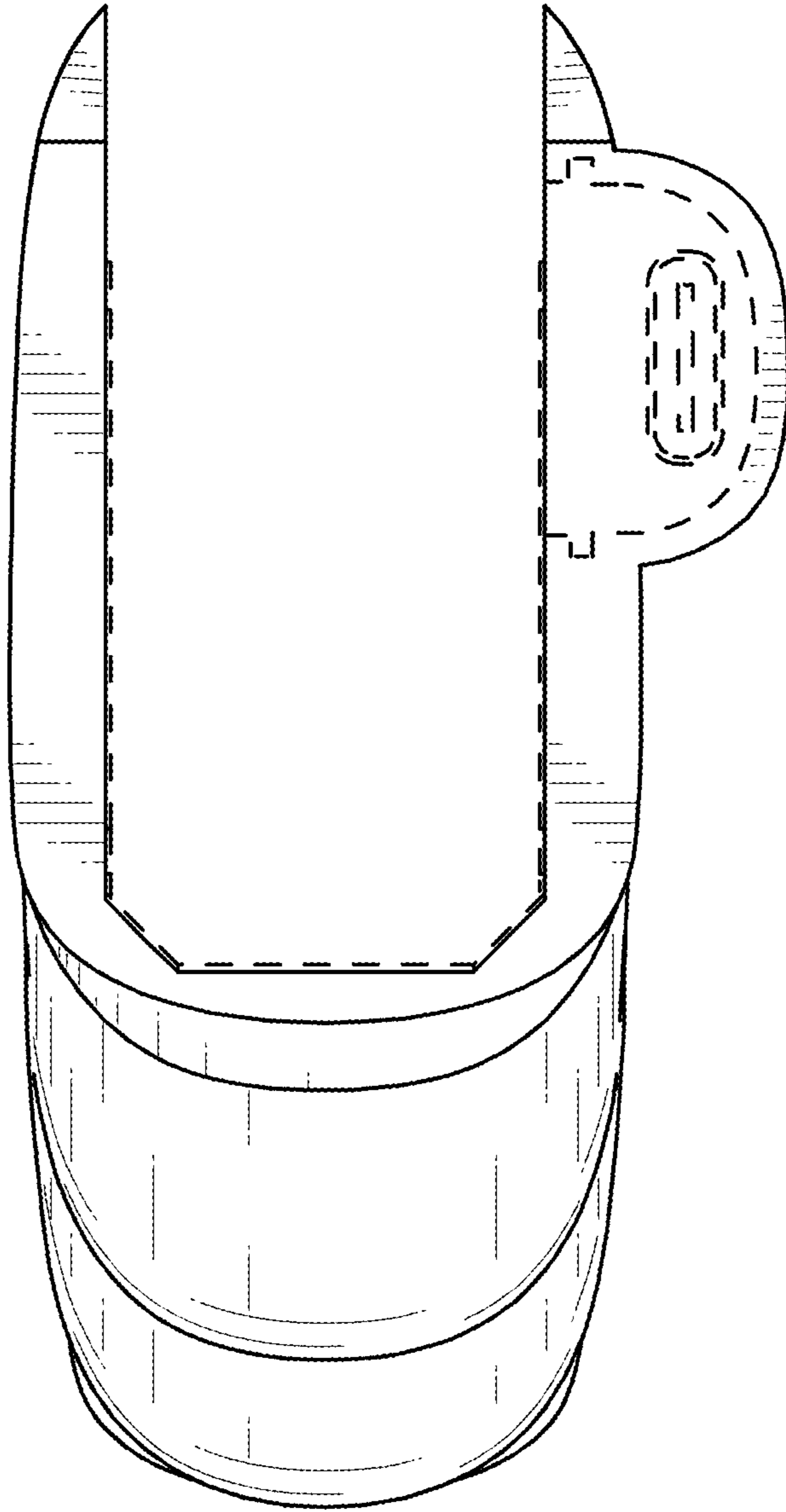


FIG. 9

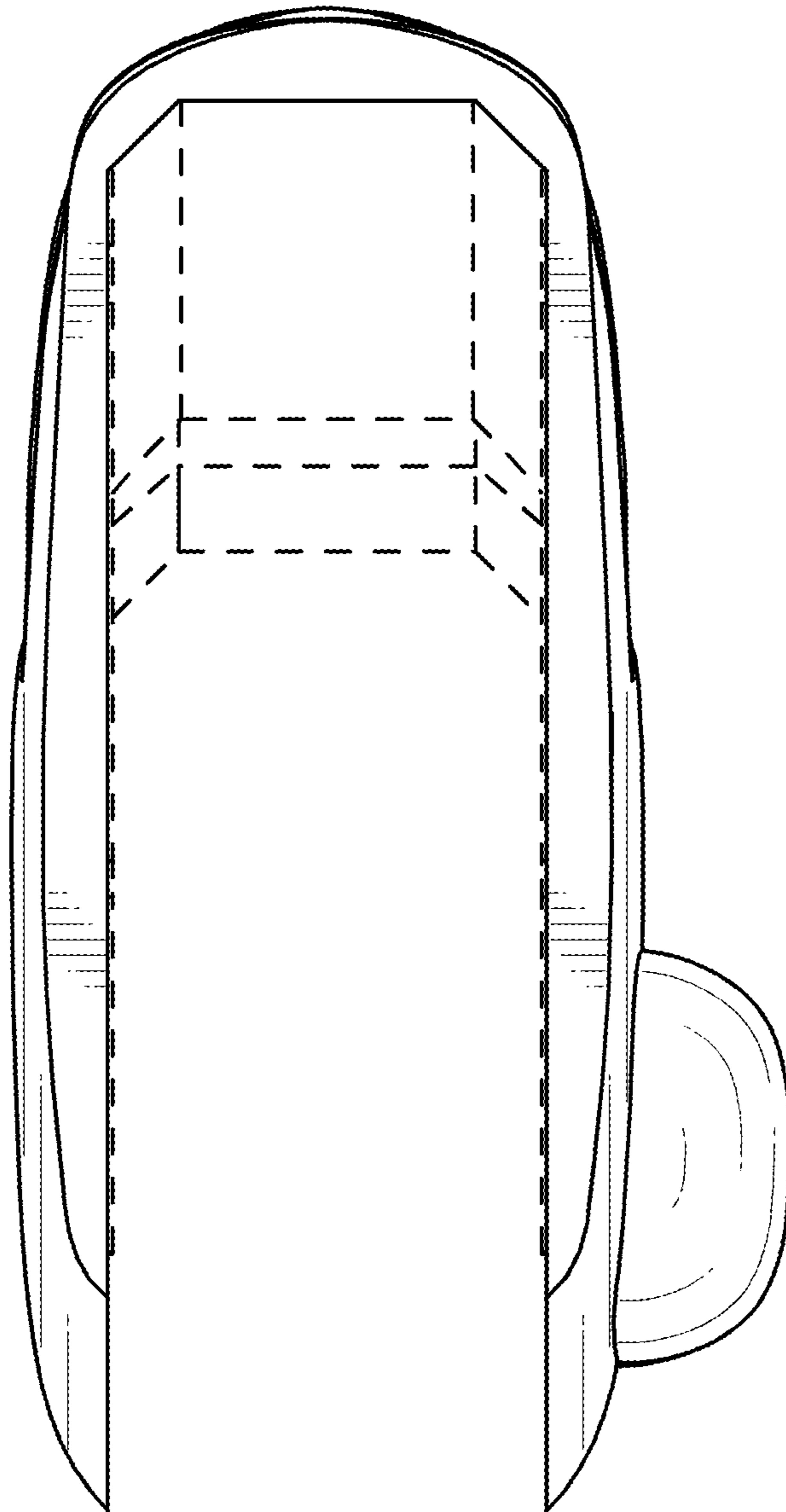


FIG. 10

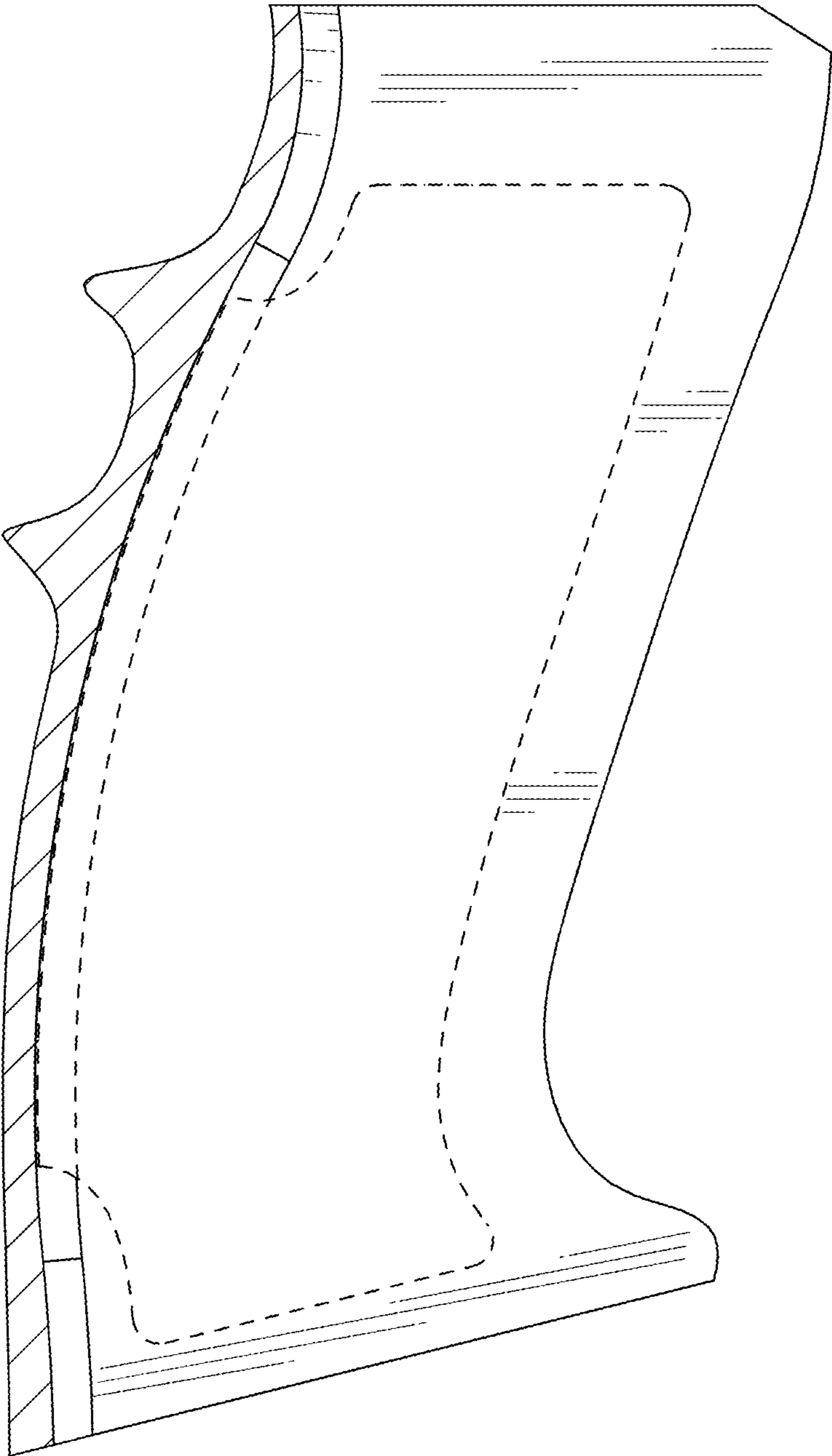


FIG. 11