



US00D996528S

(12) **United States Design Patent** (10) **Patent No.:** **US D996,528 S**  
**Christensen et al.** (45) **Date of Patent:** **\*\* Aug. 22, 2023**

(54) **MODEL VEHICLE AXLE CARRIER**

4,509,932 A 4/1985 Weible  
4,632,203 A 12/1986 Krude  
4,690,656 A 9/1987 Friedman et al.  
(Continued)

(71) Applicant: **TRAXXAS, L.P.**, McKinney, TX (US)

(72) Inventors: **Casey Christen Jens Christensen**,  
McKinney, TX (US); **Otto Karl**  
**Allmendinger**, Rowlett, TX (US);  
**Jonathan Scott Wood**, Campbell, CA  
(US); **Kent Poteet**, Lucas, TX (US)

**FOREIGN PATENT DOCUMENTS**

DE 102008057196 A1 7/2009  
EM 007721154-0004 3/2020  
(Continued)

(73) Assignee: **TRAXXAS, L.P.**, McKinney, TX (US)

**OTHER PUBLICATIONS**

(\*\*) Term: **15 Years**

Carriers stub axle, First Date Available: Unknown, Image retrieved  
on: Jun. 3, 2023, <<https://traxxas.com/products/parts/9552>>.\*  
(Continued)

(21) Appl. No.: **29/815,732**

(22) Filed: **Nov. 16, 2021**

(51) **LOC (14) Cl.** ..... **21-01**

(52) **U.S. Cl.**  
USPC ..... **D21/562**

(58) **Field of Classification Search**  
USPC ..... D21/495, 533, 548, 549, 550, 561, 562;  
D12/159, 160

CPC .... A63H 17/26; A63H 17/262; A63H 17/264;  
A63H 17/266; A63H 17/36; A63H 17/00;  
A63H 17/002; B60G 13/003; B60G  
2204/128; B62D 25/00; B62D 35/00

See application file for complete search history.

*Primary Examiner* — Sheryl Lane

*Assistant Examiner* — Ieisha N Price

(74) *Attorney, Agent, or Firm* — Daryl R. Wright; Greg  
Carr

(57) **CLAIM**

We claim the ornamental design for a model vehicle axle  
carrier, as shown and described.

**DESCRIPTION**

FIG. 1 is a top, front, left side perspective view of a model  
vehicle shock tower showing our new design;  
FIG. 2 is a left side view thereof;  
FIG. 3 is a right side view thereof;  
FIG. 4 is a front side elevation view thereof;  
FIG. 5 is a rear side elevation view thereof;  
FIG. 6 is a top plan view thereof;  
FIG. 7 is a bottom plan view thereof; and,  
FIG. 8 is a bottom, rear, right side perspective view of the  
model vehicle shock tower.

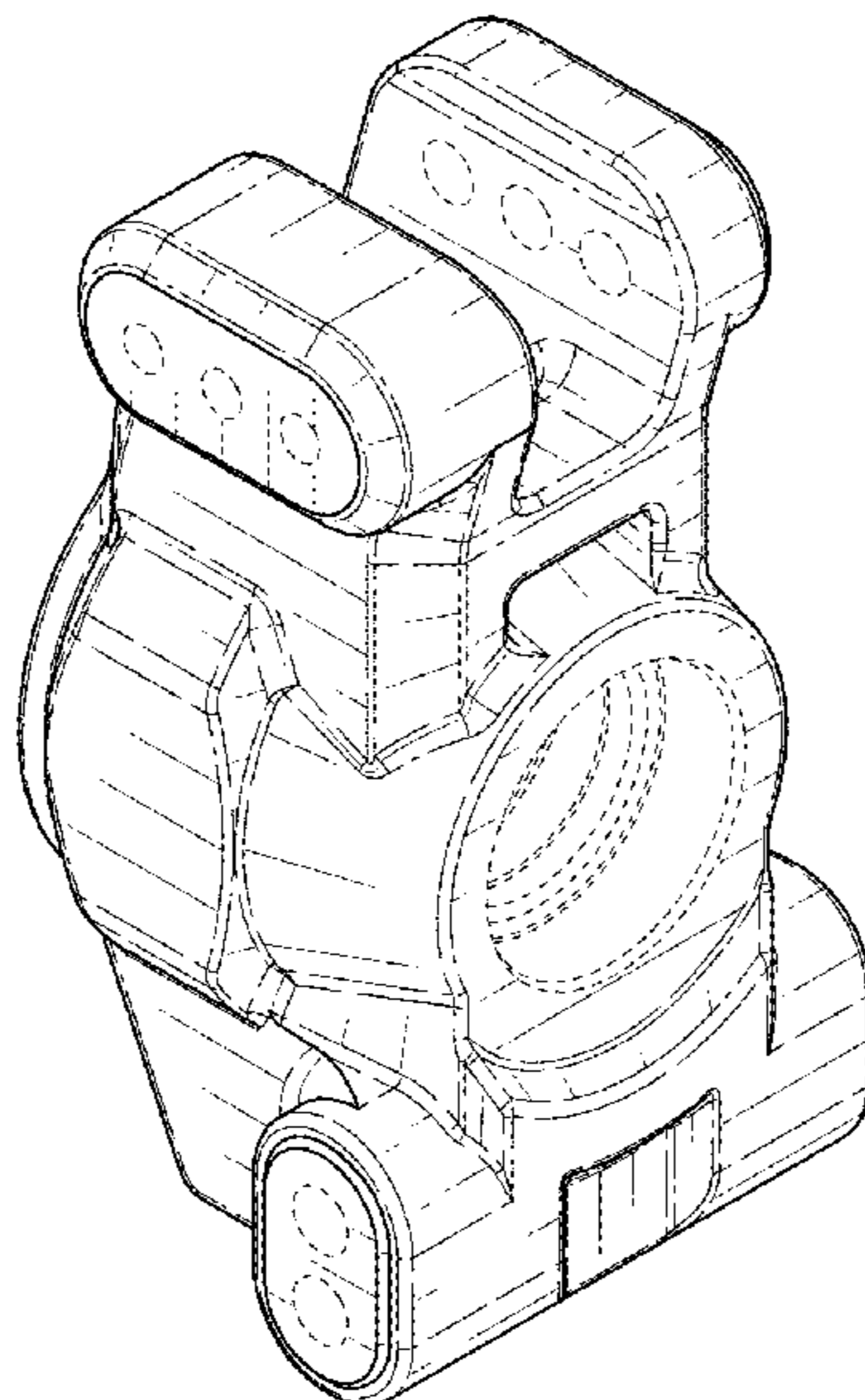
In the drawings, the broken lines illustrate portions of the  
model vehicle axle carrier that form no part of the claimed  
design.

(56) **References Cited**

**U.S. PATENT DOCUMENTS**

1,377,905 A 5/1921 Martz  
1,455,706 A 5/1923 Bower et al.  
2,041,992 A 5/1936 Noel  
2,083,085 A 6/1937 Palmer  
2,132,545 A 10/1938 Smith  
2,547,435 A 4/1951 Bouchard  
3,306,077 A 2/1967 Piatti  
3,333,654 A 8/1967 Price-Stephens  
3,767,221 A 10/1973 Asberg  
D242,442 S 11/1976 Garrison

**1 Claim, 5 Drawing Sheets**



(56)

References Cited

U.S. PATENT DOCUMENTS

D304,472 S 11/1989 Poulsen  
 D304,473 S 11/1989 Poulsen  
 D311,942 S 11/1990 Dideriksen  
 D332,978 S 2/1993 Tsuchiya  
 D341,560 S 11/1993 Fabris et al.  
 5,338,247 A 8/1994 Miles  
 5,498,208 A 3/1996 Braun  
 5,516,130 A 5/1996 Mitchell  
 D385,835 S 11/1997 Webster  
 D403,023 S 12/1998 Araki  
 5,954,586 A 9/1999 Kirson  
 6,394,878 B1 5/2002 Wang  
 6,416,136 B1 7/2002 Smith  
 6,478,709 B1 11/2002 Irwin et al.  
 6,513,614 B2 2/2003 Knutson et al.  
 6,773,353 B2 8/2004 Cornay et al.  
 6,820,707 B1 11/2004 Cantemir  
 7,144,326 B2 12/2006 Thompson  
 7,690,660 B2 4/2010 Dudding et al.  
 7,810,604 B2 10/2010 Byers et al.  
 7,841,923 B2 11/2010 Marzetta et al.  
 D686,677 S 7/2013 Simonds  
 D686,952 S 7/2013 Rau et al.  
 8,540,260 B1 9/2013 Batdorf et al.  
 8,574,022 B2 11/2013 Grisolia et al.  
 8,893,364 B2 11/2014 Rode  
 D788,653 S 6/2017 Smith  
 D822,125 S 7/2018 Ewing et al.  
 D826,340 S 8/2018 Ewing et al.  
 D845,398 S 4/2019 Wood  
 D847,911 S 5/2019 Wood  
 D847,912 S 5/2019 Wood  
 D866,683 S 11/2019 Ewing et al.  
 D868,171 S 11/2019 Wood  
 D869,348 S 12/2019 Kucharski  
 D871,273 S 12/2019 Bhaskar  
 D880,279 S 4/2020 Marchesan  
 D900,250 S 10/2020 Ewing et al.  
 D902,091 S 11/2020 Ewing et al.  
 D904,532 S 12/2020 Ewing et al.  
 D923,115 S 6/2021 Ewing et al.  
 D923,116 S 6/2021 Ewing et al.  
 D923,722 S 6/2021 Ewing et al.  
 D947,290 S \* 3/2022 Christensen ..... D12/159  
 D947,958 S \* 4/2022 Christensen ..... D12/159  
 D947,959 S \* 4/2022 Christensen ..... D12/159  
 2002/0065021 A1 5/2002 Wang  
 2002/0077025 A1 6/2002 Wu  
 2002/0160688 A1 10/2002 Rehkemper et al.  
 2002/0165031 A1 11/2002 Riefe  
 2004/0005931 A1 1/2004 Wang et al.  
 2004/0231910 A1 11/2004 Mercier et al.  
 2005/0156399 A1 \* 7/2005 Chu ..... B60G 3/20  
 280/124.134  
 2005/0206222 A1 9/2005 Swanson  
 2006/0240897 A1 10/2006 Carlini et al.  
 2007/0256659 A1 11/2007 Anderson et al.  
 2007/0293328 A1 12/2007 Mazziotti  
 2008/0238015 A1 10/2008 Duddling et al.  
 2008/0303227 A1 \* 12/2008 Chi Chun Idiot ... A63H 17/262  
 280/1  
 2009/0020973 A1 1/2009 Richardson

2009/0029821 A1 1/2009 Martin, III et al.  
 2009/0039700 A1 2/2009 Gradu et al.  
 2009/0173033 A1 7/2009 Baxter, Jr.  
 2011/0001350 A1 1/2011 Schmitz et al.  
 2011/0057408 A1 3/2011 Koschinat  
 2011/0079978 A1 4/2011 Schreiner et al.  
 2011/0315468 A1 12/2011 Sellars et al.  
 2013/0278047 A1 10/2013 Gottschalk  
 2014/0361507 A1 12/2014 Park et al.  
 2015/0191064 A1 7/2015 Gielisch et al.  
 2015/0266350 A1 9/2015 Morino  
 2017/0028517 A1 2/2017 Ferrari  
 2017/0050483 A1 2/2017 Gordon et al.  
 2017/0370465 A1 12/2017 Fast et al.  
 2019/0030700 A1 1/2019 Huang  
 2019/0054818 A1 2/2019 Garcia et al.  
 2019/0210661 A1 7/2019 Cao et al.  
 2020/0164708 A1 5/2020 Lim et al.  
 2020/0198426 A1 6/2020 Rosene et al.  
 2020/0282792 A1 9/2020 Hafele et al.

FOREIGN PATENT DOCUMENTS

EM 007721154-0006 3/2020  
 TW 179940-0001 \* 12/2016  
 WO D095551-014 4/2017  
 WO WOD095551-013 \* 4/2017  
 WO WOD095551-016 \* 4/2017

OTHER PUBLICATIONS

Axial; Axial SCX10 II; Aug. 2016.  
 Bomber; Bomber Fabrication Gusset Kit; Aug. 2016.  
 Wikipedia; DANA 44 Axle; Aug. 2016.  
 Reid Racing; Reid Racing Axle Products; Aug. 2016.  
 Currie; Currie RockJock 79 Axle; Aug. 2016.  
 Xray Model Racing Cars; "T1R Raycer-Instruction Manual;" Xray Model Racing Cars, Trencin, Slovak Republic, Europe.  
 Traxxas; "T-Maxx Assemblies-Front Assembly;" Traxxas LP, Plano, Texas.  
 Traxxas Rear Stub Axle Carrier (1.5 Degree), Earliest Available Date Oct. 29, 2007 [Online], [Site Visited Oct. 28, 2020] Available From Internet, URL: <[https://www.amainhobbies.com/traxxas-rear-stub-axle-carrier-1.5-degree-tra4352/p17759?gclid=EA1aIQobChMlyY7Ak\\_TX7AIVWQilCR1dzw2fEAQYBCABEgL99vD\\_BwE](https://www.amainhobbies.com/traxxas-rear-stub-axle-carrier-1.5-degree-tra4352/p17759?gclid=EA1aIQobChMlyY7Ak_TX7AIVWQilCR1dzw2fEAQYBCABEgL99vD_BwE)> (Year: 2007).  
 Axle Bearing Carrier Suzuki LTZ400 Kawasaki KFX400 Arctic DVX400, Earliest Available Date Jun. 13, 2018 [Online], [Site Visited Oct. 28, 2020] Available From Internet, URL: <<https://www.amazon.com/Bearing-Carrier-SUZUKI-LTZ400-KAWASAKI/dp/B07F22WBPI>> (Year: 2018).  
 Traxxas C-Hubs, Published date unavailable [online], [retrieved on Feb. 5, 2022]. Retrieved from the Internet: <https://www.rcsuperstore.com/traxxas-caster-blocks-c-hubs-left-right-slash-4x4/> (Year: 2022).  
 Traxxas Rear Stub Axle Carrier, Published date unavailable [online], [retrieved on Feb. 5, 2022]. Retrieved from the Internet: <https://www.rcmart.com/traxxas-rear-left-and-right-stub-axle-carrier-for-jato-5555-00036488> (Year: 2022).

\* cited by examiner

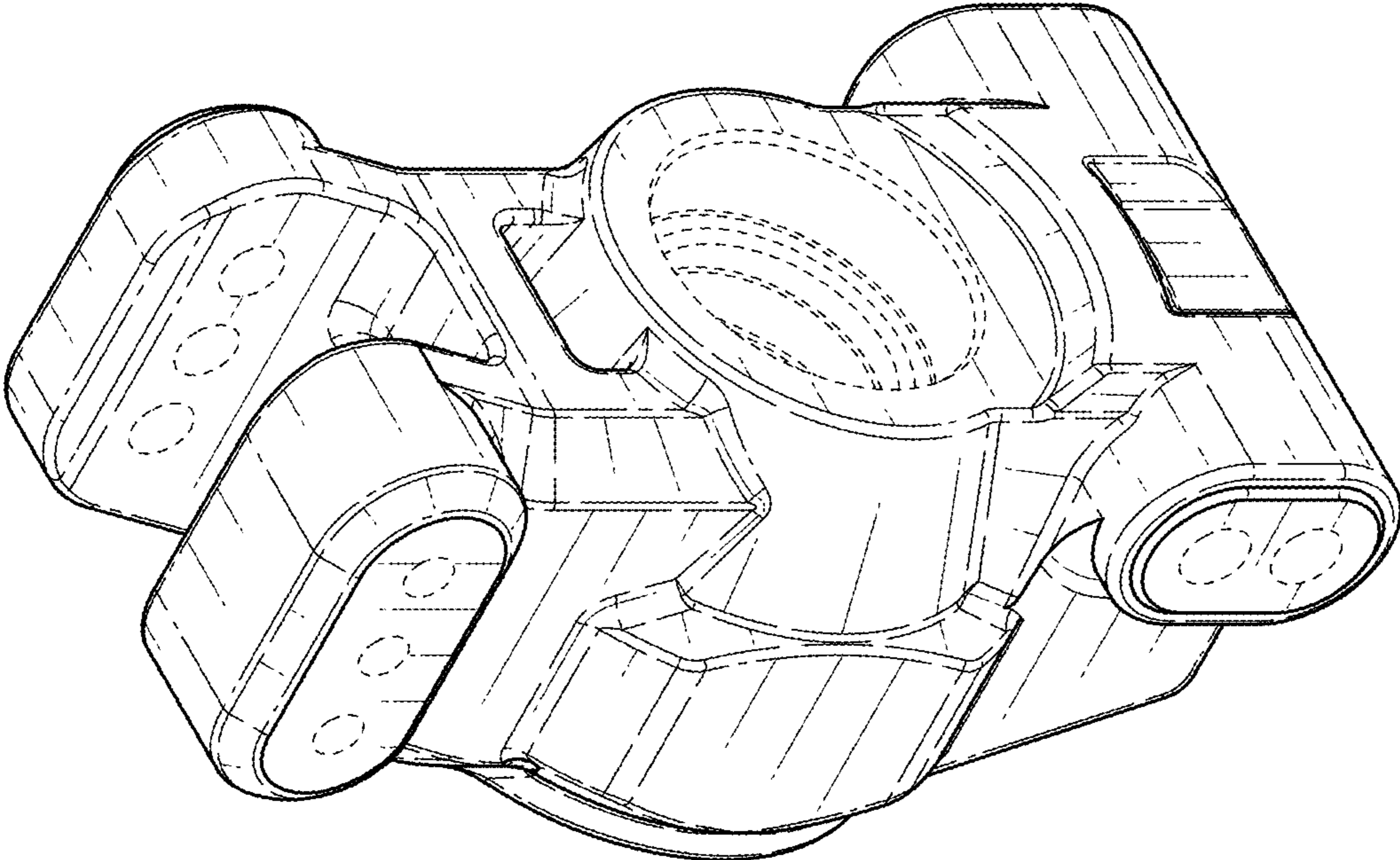


FIG. 1

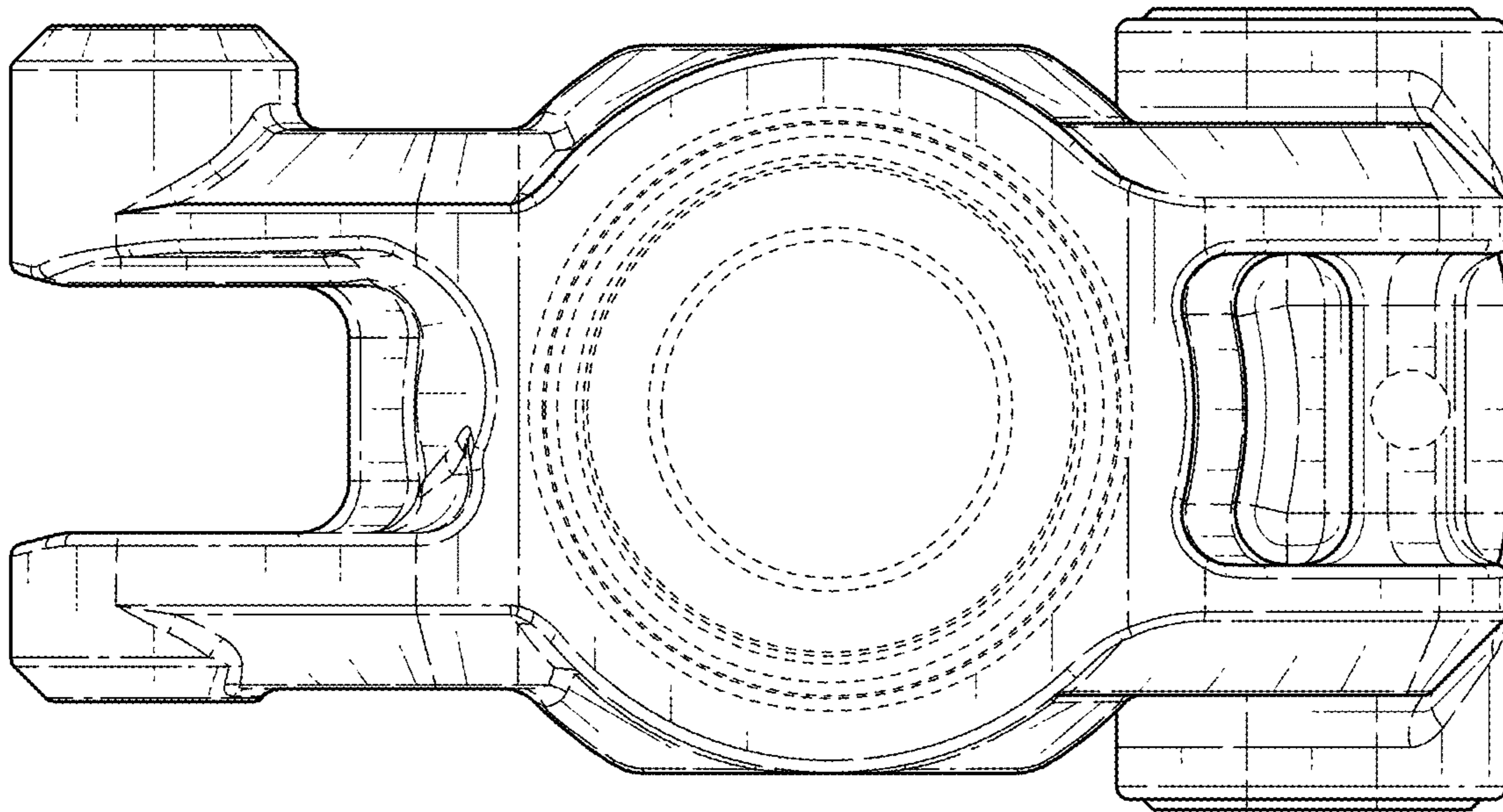


FIG. 3

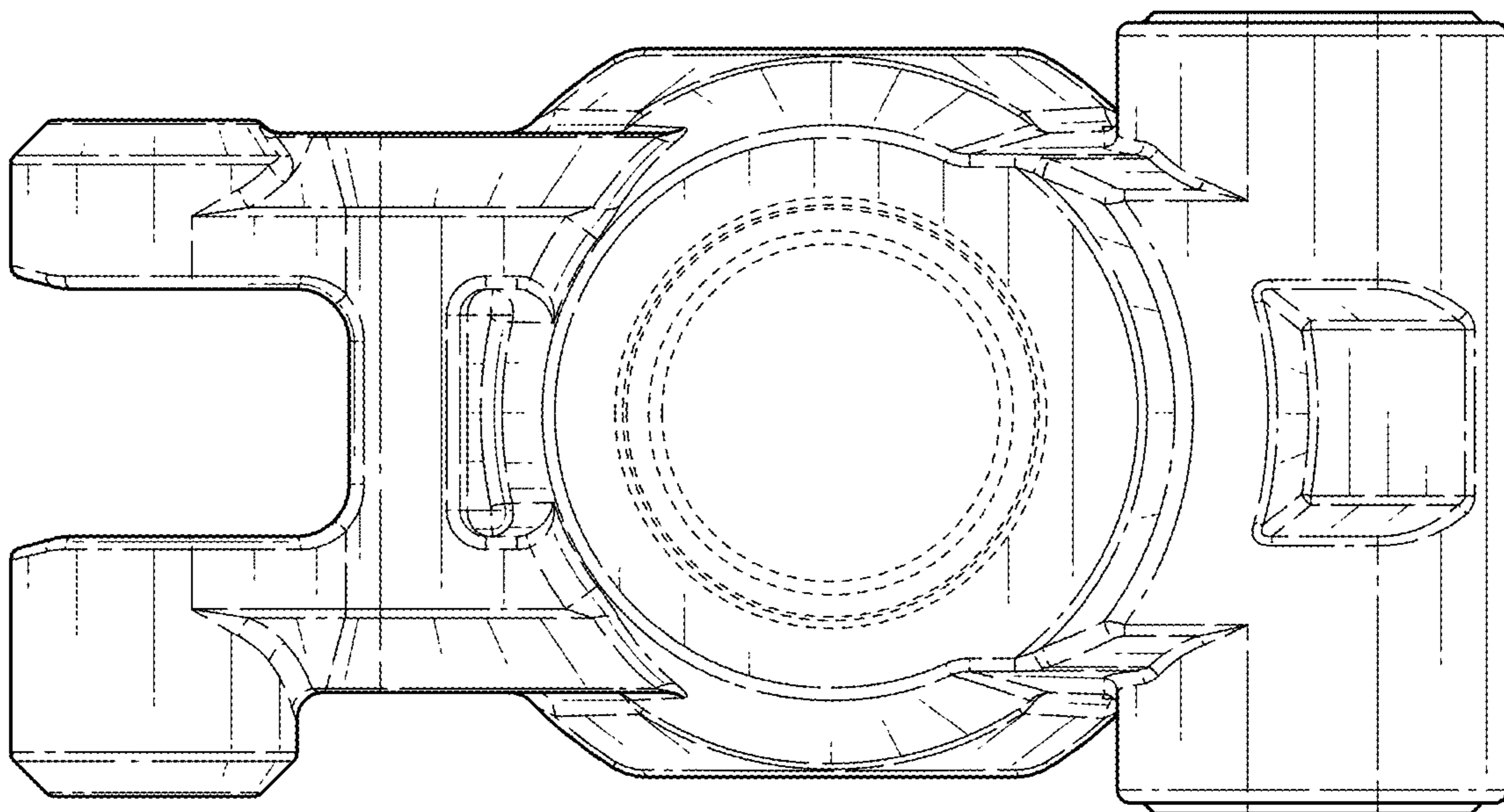


FIG. 2

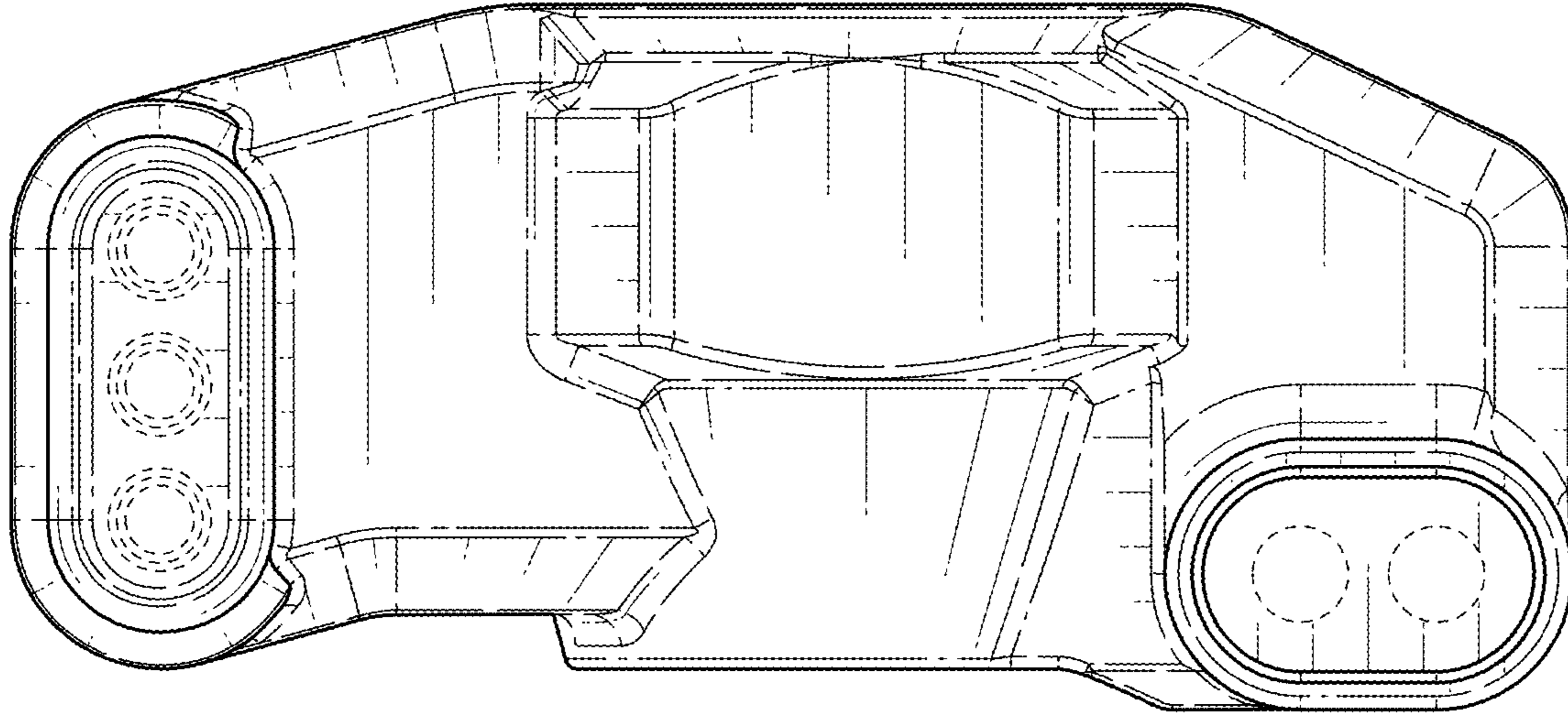


FIG. 5

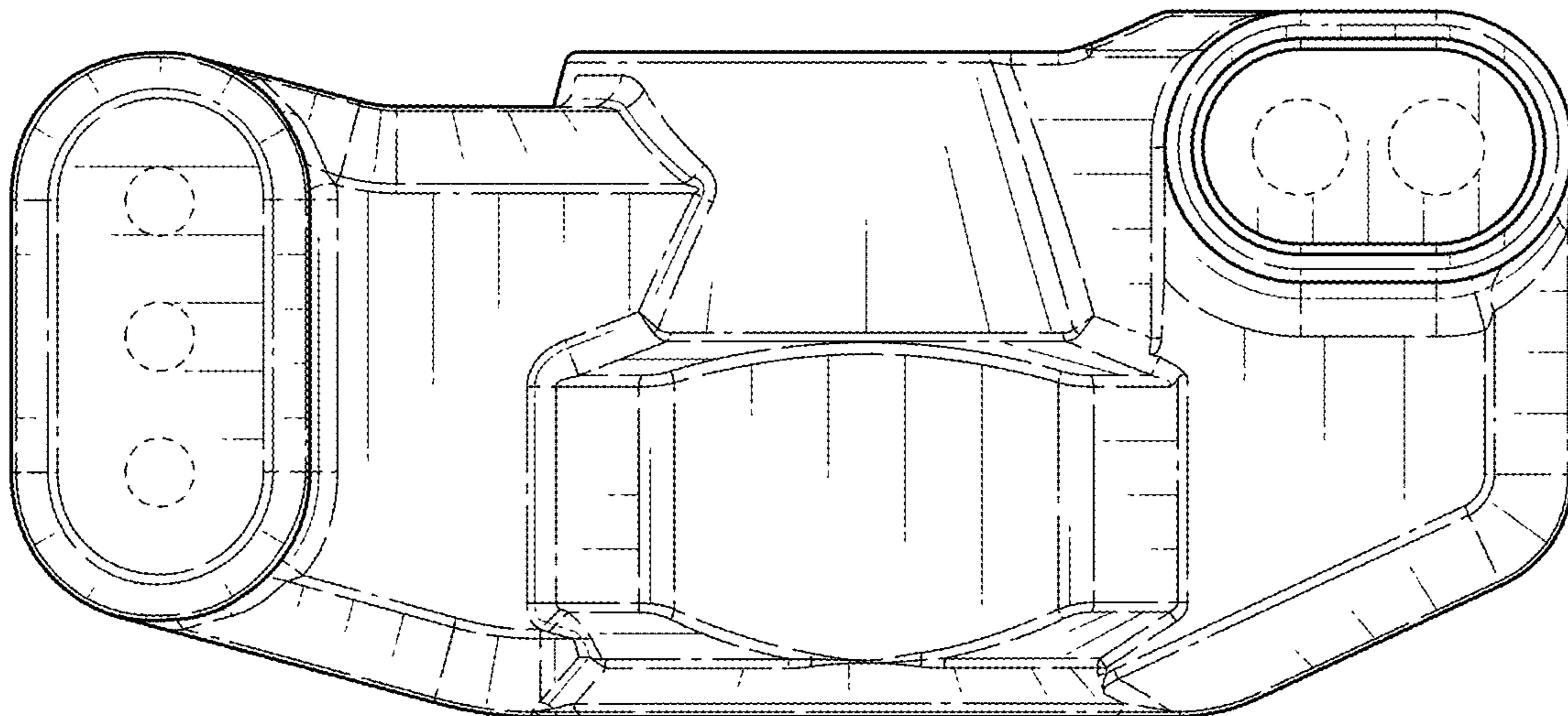


FIG. 4

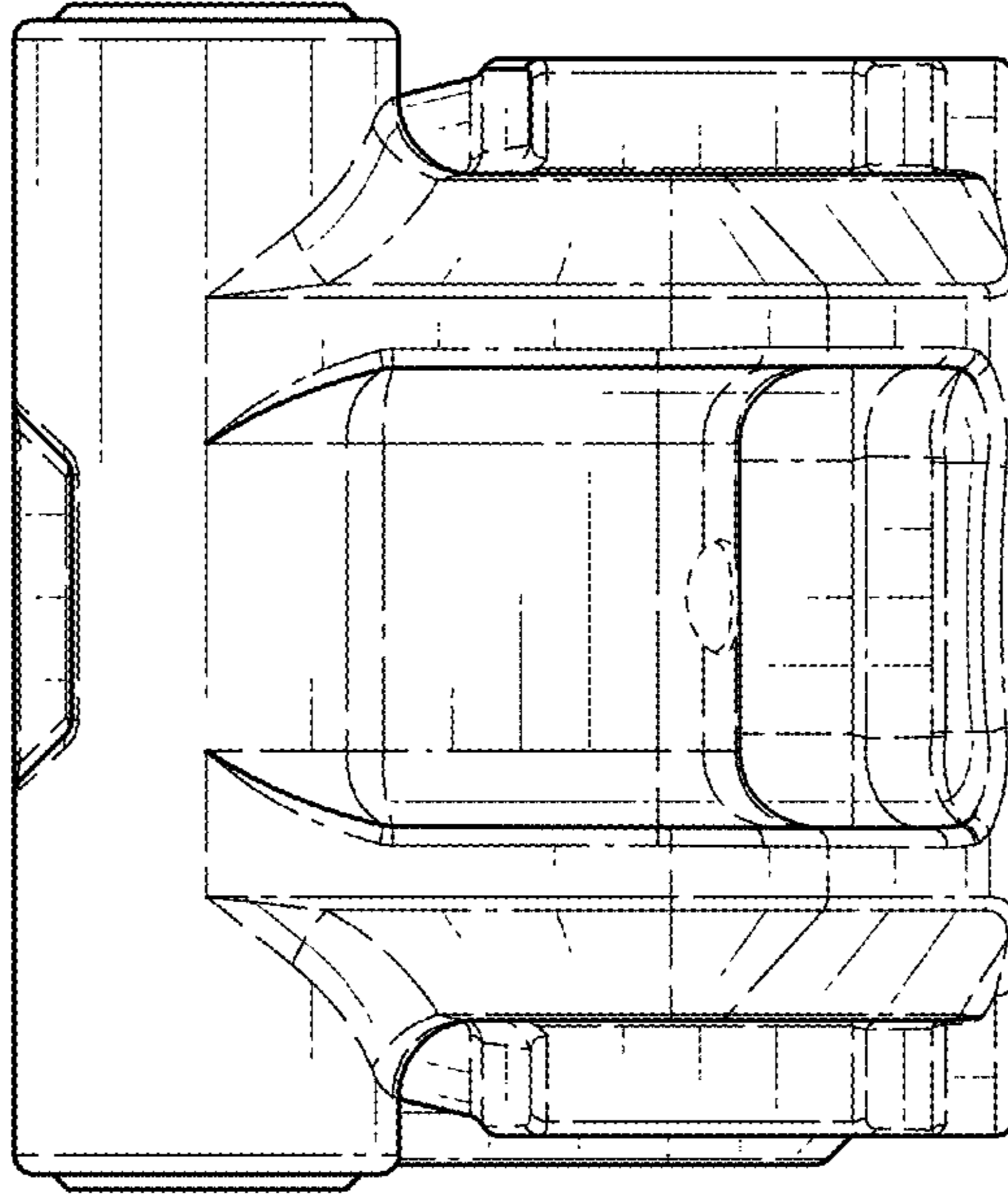


FIG. 7

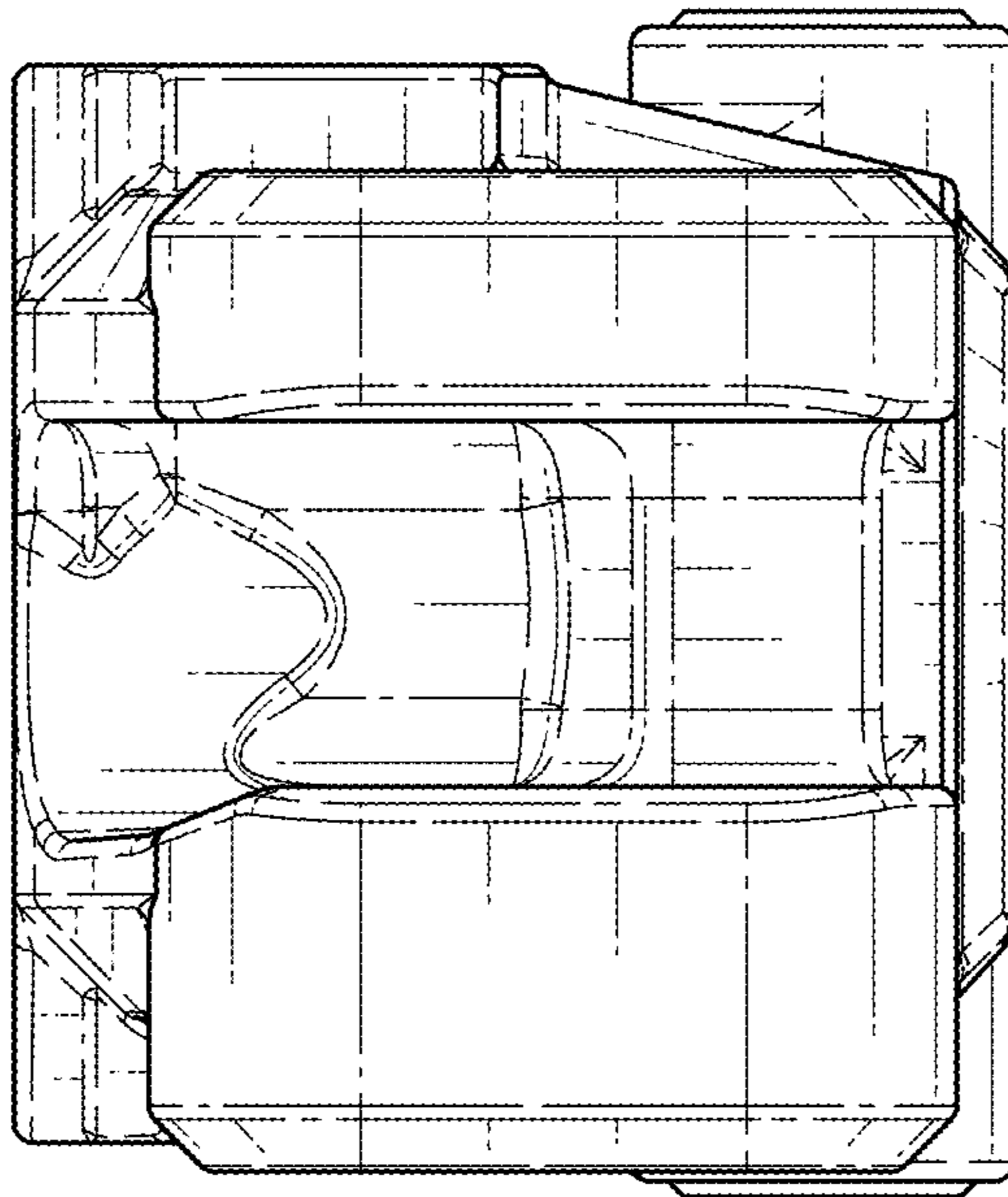


FIG. 6

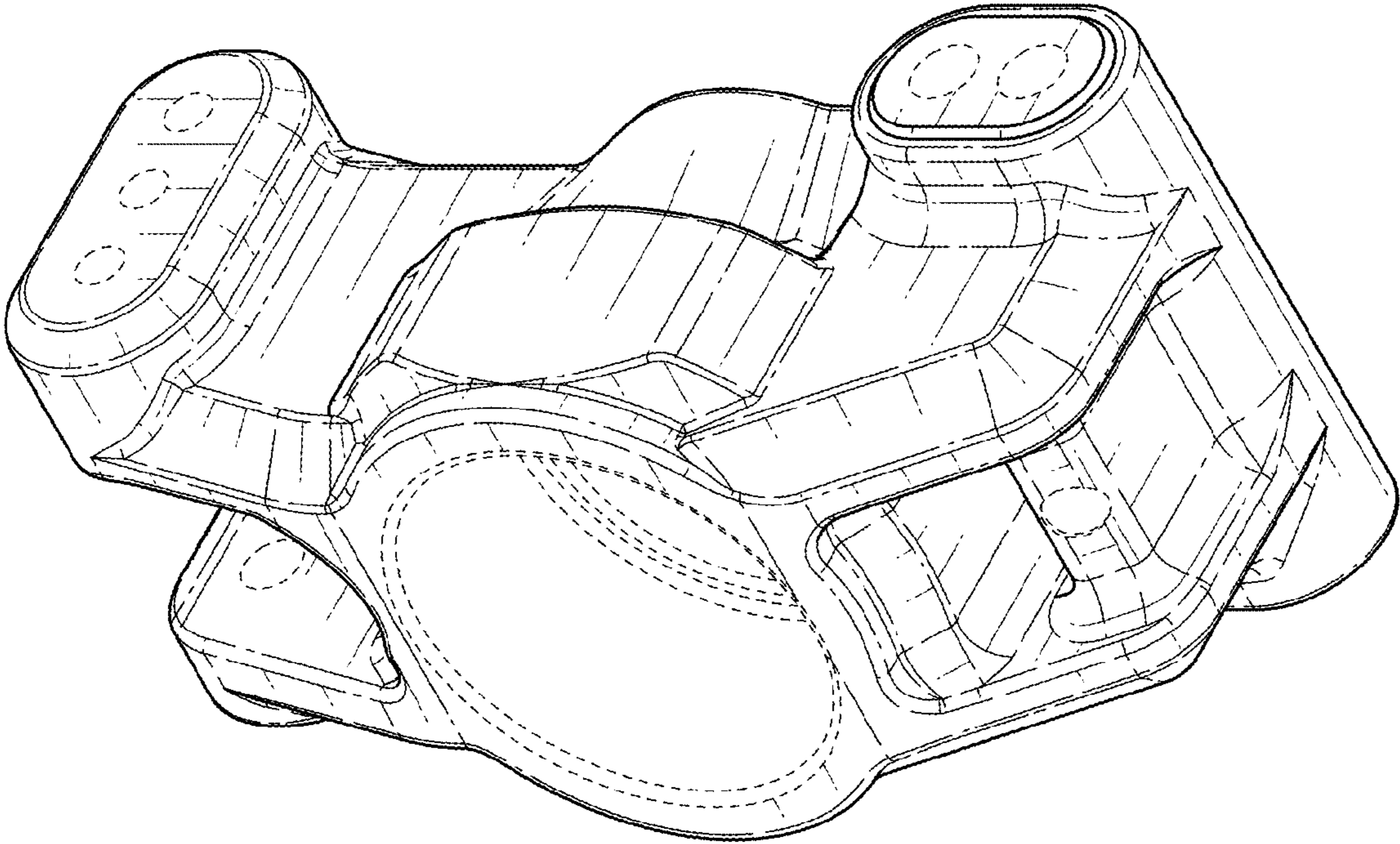


FIG. 8