



US00D996523S

(12) **United States Design Patent**
Thompson et al.

(10) **Patent No.:** **US D996,523 S**

(45) **Date of Patent:** **** Aug. 22, 2023**

(54) **LOTTERY TICKET MODULE**

(71) Applicant: **Scientific Games International, Inc.**,
Newark, DE (US)

(72) Inventors: **Mark Andrew Thompson**, Buford, GA
(US); **Sten Hallundbaek Mejenborg**,
Cumming, GA (US); **James Jonathan**
Holbrook, Cumming, GA (US)

(73) Assignee: **Scientific Games, LLC**, Alpharetta, GA
(US)

(**) Term: **15 Years**

(21) Appl. No.: **29/747,555**

(22) Filed: **Aug. 24, 2020**

Related U.S. Application Data

(62) Division of application No. 29/663,988, filed on Sep.
20, 2018, now Pat. No. Des. 893,915.

(51) **LOC (14) Cl.** **20-02**

(52) **U.S. Cl.**
USPC **D6/515**

(58) **Field of Classification Search**
USPC D6/515, 517; 206/425, 812, 831;
221/13.1, 26, 208, 255, 282, 284-285,
221/296, 303, 305; 222/105, 129, 135,
222/173, 570; 225/6, 32, 34-35;
D20/1-9, 99
CPC ... G06Q 10/087; G07F 11/002; G07F 11/007;
G07F 17/329
See application file for complete search history.

(56) **References Cited**

U.S. PATENT DOCUMENTS

1,845,470 A * 2/1932 Wood G06K 21/02
312/348.3
2,938,623 A * 5/1960 Eichorn B65D 5/6697
229/160

D209,159 S 11/1967 Kesllman
4,379,603 A 4/1983 Johnson
4,580,679 A 4/1986 Hellman, III
4,627,535 A 12/1986 Kirchner
D303,707 S * 9/1989 Bolstad D24/176
4,923,070 A 5/1990 Jackie
4,995,507 A 2/1991 Schafer
D321,212 S * 10/1991 Unruh D20/8
5,222,624 A 6/1993 Burr
D369,622 S 5/1996 Fontaine

(Continued)

Primary Examiner — Nathan M Johnston

(74) *Attorney, Agent, or Firm* — Dority & Manning, P.A.

(57) **CLAIM**

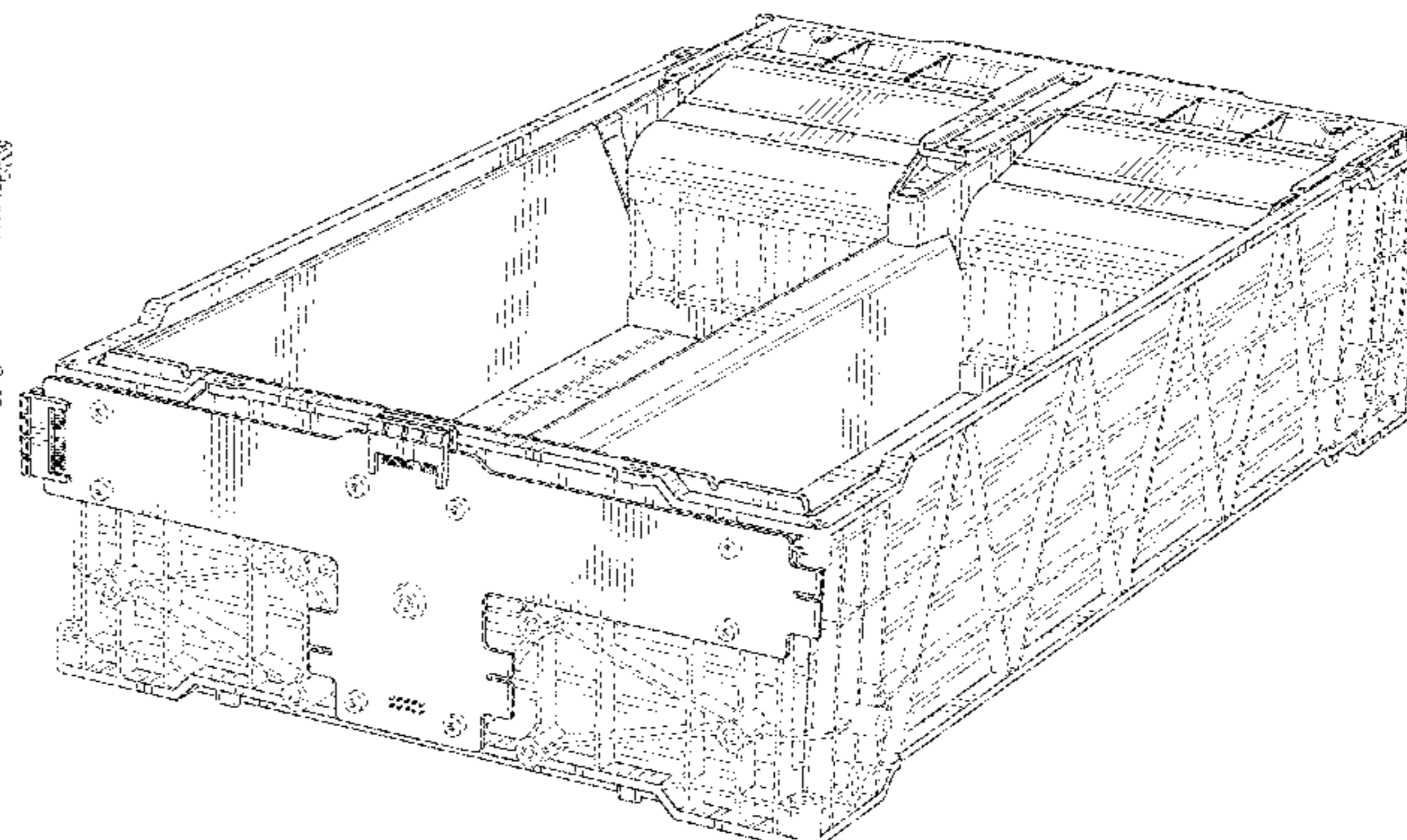
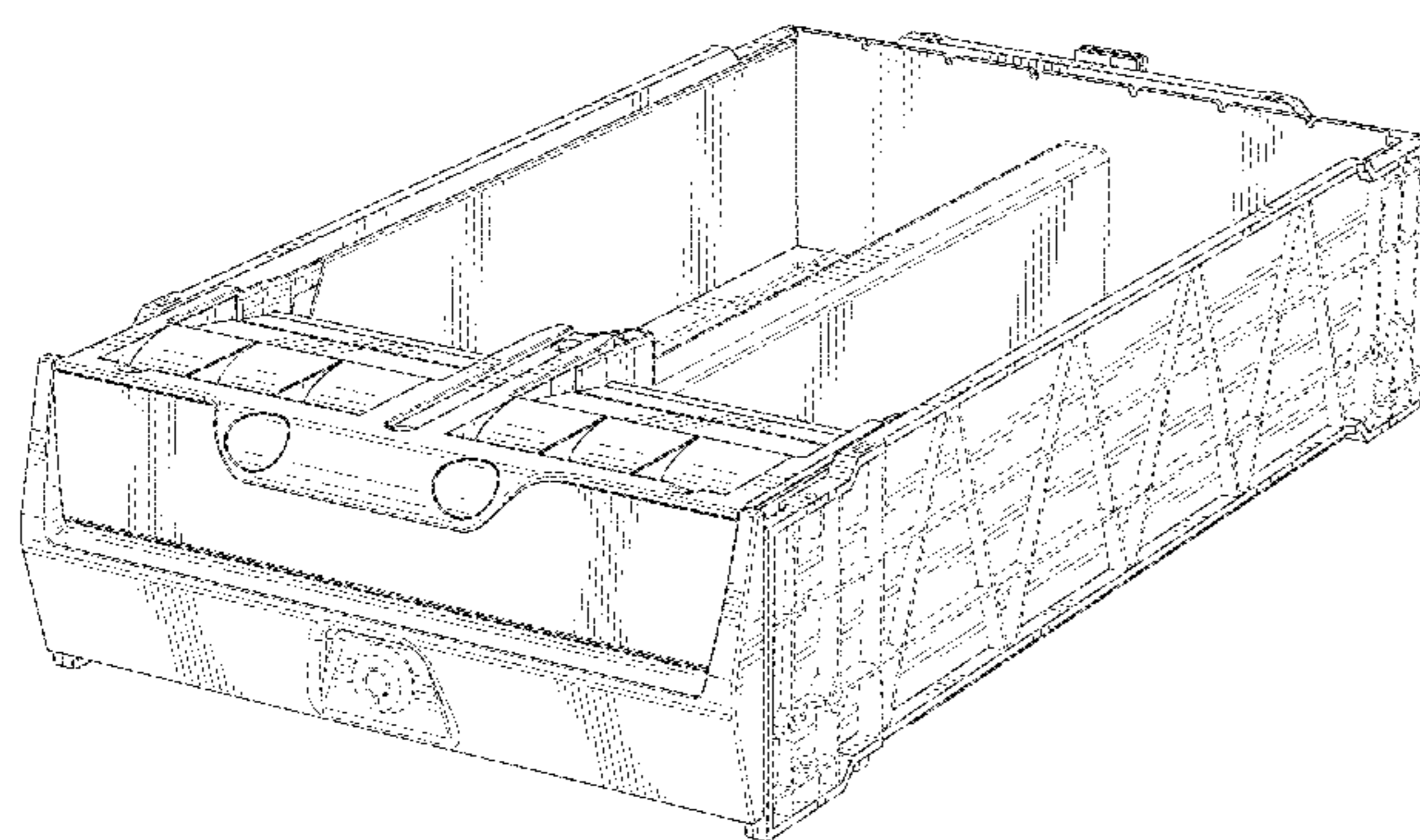
The ornamental design for a lottery ticket module, as shown
and described.

DESCRIPTION

FIG. 1 is a front and right side perspective view of a lottery
ticket module according to the present design;
FIG. 2 is a back and left side perspective view of the lottery
ticket module of FIG. 1;
FIG. 3 is a bottom and left side perspective view of the
lottery ticket module of FIG. 1;
FIG. 4 is a front view of the lottery ticket module of FIG. 1;
FIG. 5 is a back view of the lottery ticket module of FIG. 1;
FIG. 6 is a right side view of the lottery ticket module of
FIG. 1, wherein a left side view of the lottery ticket module
is identical to the right side view;
FIG. 7 is a top view of the lottery ticket module of FIG. 1;
and,
FIG. 8 is a bottom view of the lottery ticket module of FIG.
1.

The claimed design comprises the elements shown in solid
lines, the elements shown in dotted lines forming no part of
the claimed design.

1 Claim, 7 Drawing Sheets



(56)

References Cited

U.S. PATENT DOCUMENTS

| | | | | | | | |
|----------------|---------|----------------|-------------------------|-------------------|---------|-----------------|-----------------------|
| D369,708 S | 5/1996 | Breen | | D501,227 S | 1/2005 | Boothe et al. | |
| 5,590,770 A | 1/1997 | Yeh | | 6,901,631 B1 | 6/2005 | Lin | |
| D380,113 S | 6/1997 | Byrd | | 7,040,726 B2 | 5/2006 | Steffee | |
| D381,849 S | 8/1997 | Snyder | | D592,704 S | 5/2009 | Becker et al. | |
| D382,141 S | 8/1997 | Capeto | | D595,358 S | 6/2009 | Becker et al. | |
| D395,970 S | 7/1998 | Curry | | 10,071,848 B2 * | 9/2018 | Ghia | G07D 11/34 |
| 5,996,794 A | 12/1999 | Popovich | | 10,134,244 B1 | 11/2018 | Holbrook | |
| D423,217 S | 4/2000 | Varfeldt | | D891,518 S * | 7/2020 | Thompson | D20/2 |
| 6,095,624 A * | 8/2000 | Wilbert | G07B 3/04 312/293.3 | 2005/0211582 A1 | 9/2005 | Richards | |
| 6,237,784 B1 | 5/2001 | Primiano | | 2007/0075028 A1 | 4/2007 | Nagel | |
| 6,375,115 B1 * | 4/2002 | Reed | B65H 49/32 242/594.4 | 2009/0261048 A1 | 10/2009 | Roeske | |
| D459,927 S | 7/2002 | Flowers | | 2010/0107670 A1 * | 5/2010 | Kottke | A47F 5/0838 62/250 |
| 6,575,090 B1 * | 6/2003 | Vienneau | B41J 13/103 463/16 | 2011/0048304 A1 | 3/2011 | Kato | |
| 6,739,461 B1 | 5/2004 | Robinson | | 2011/0100941 A1 | 5/2011 | Luberto | |
| | | | | 2012/0055397 A1 | 3/2012 | Kodama | |
| | | | | 2014/0046481 A1 * | 2/2014 | Siciliano | G07D 11/28 700/236 |
| | | | | 2021/0110630 A1 * | 4/2021 | Mejenborg | G07F 17/3202 |
| | | | | 2022/0114842 A1 * | 4/2022 | Mejenborg | B26F 3/02 |

* cited by examiner

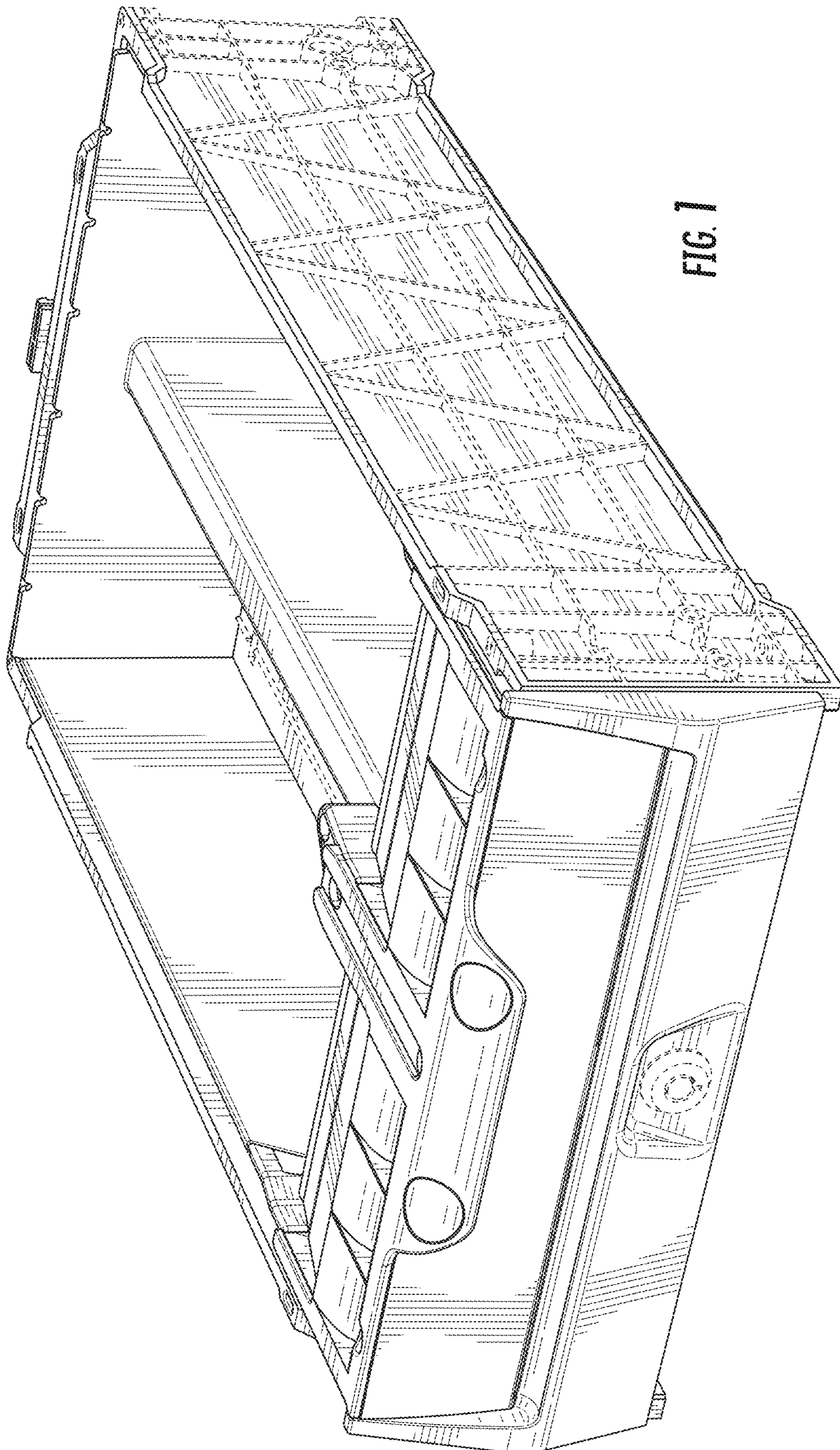


FIG. 1

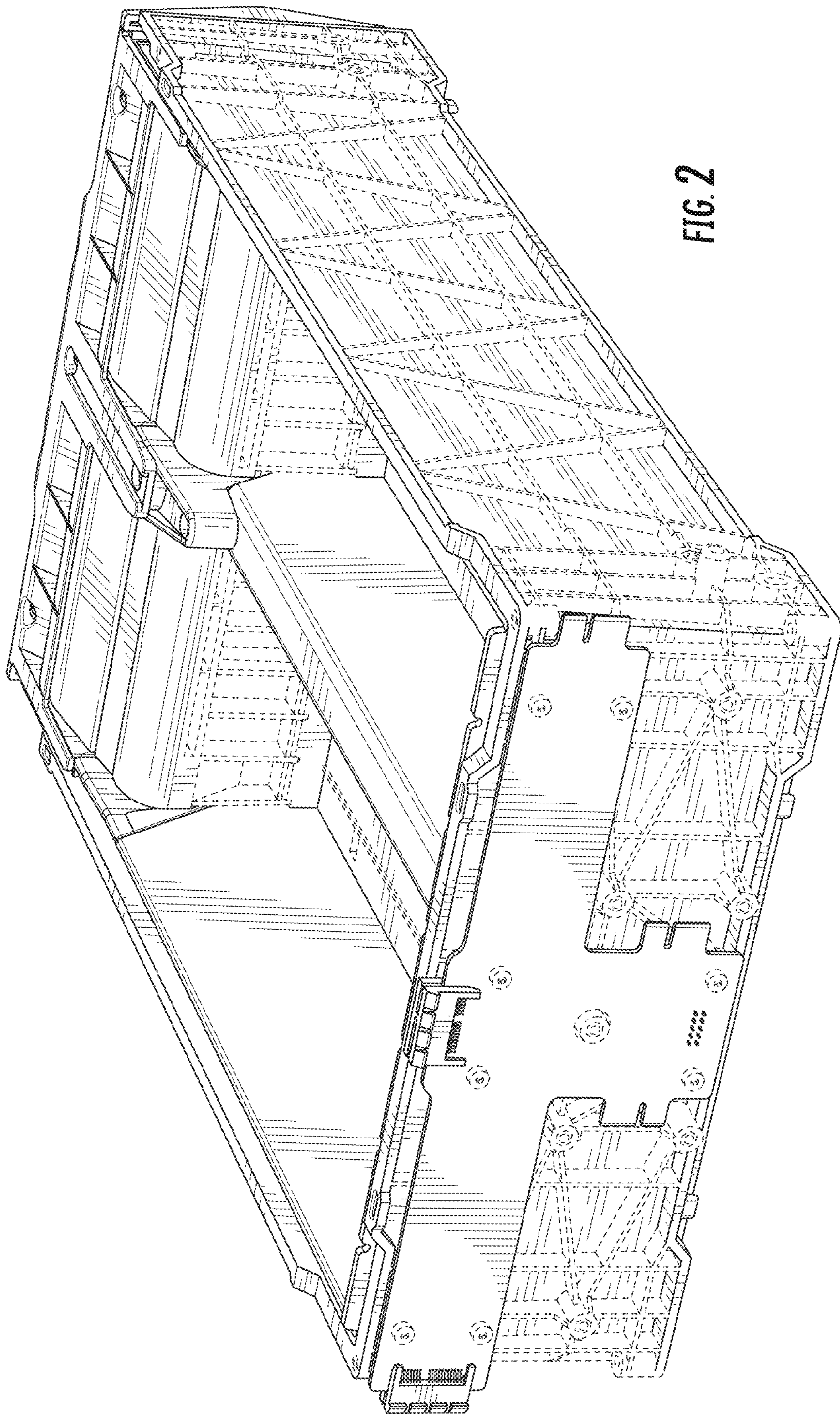


FIG. 2

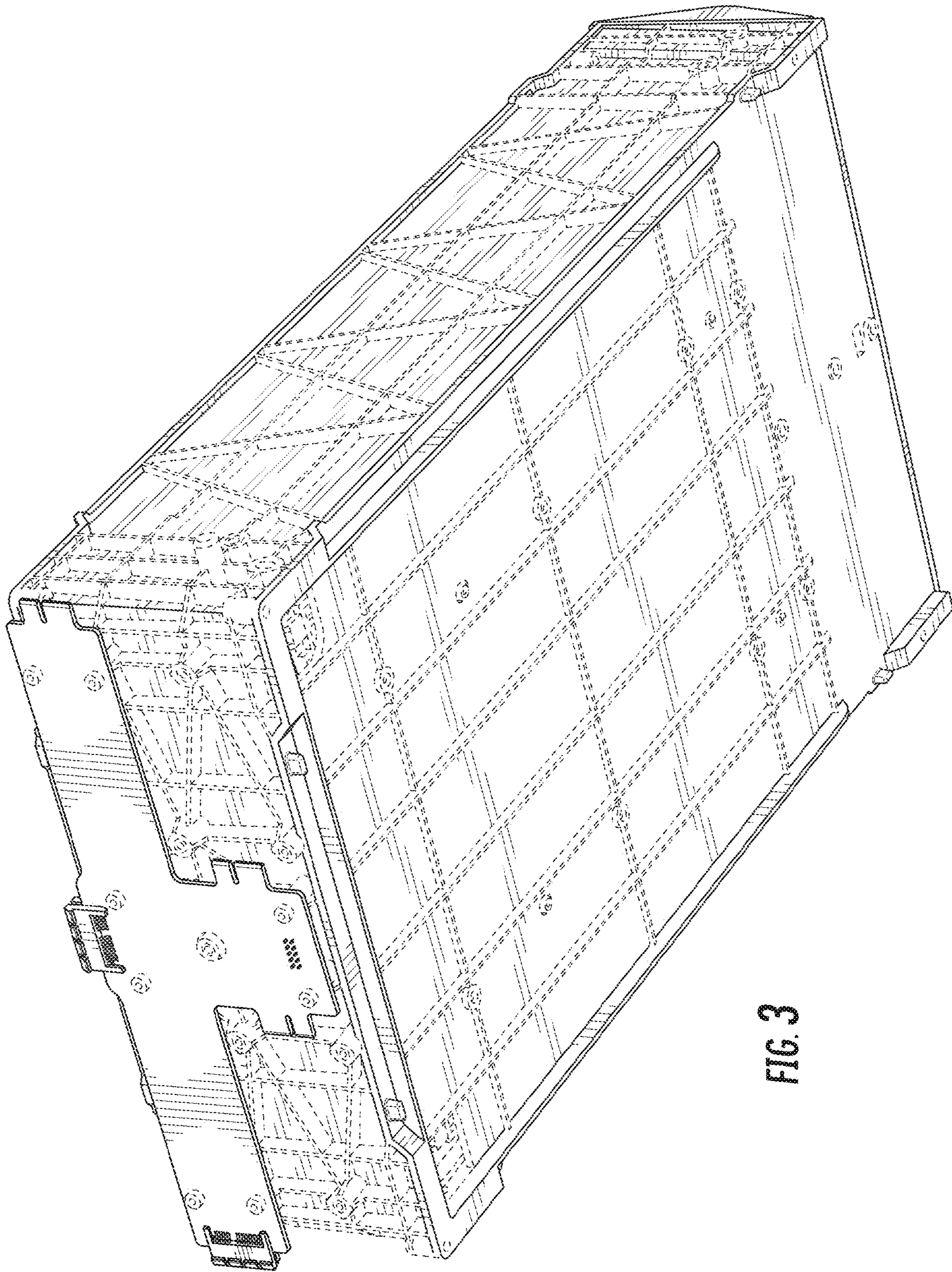


FIG. 3

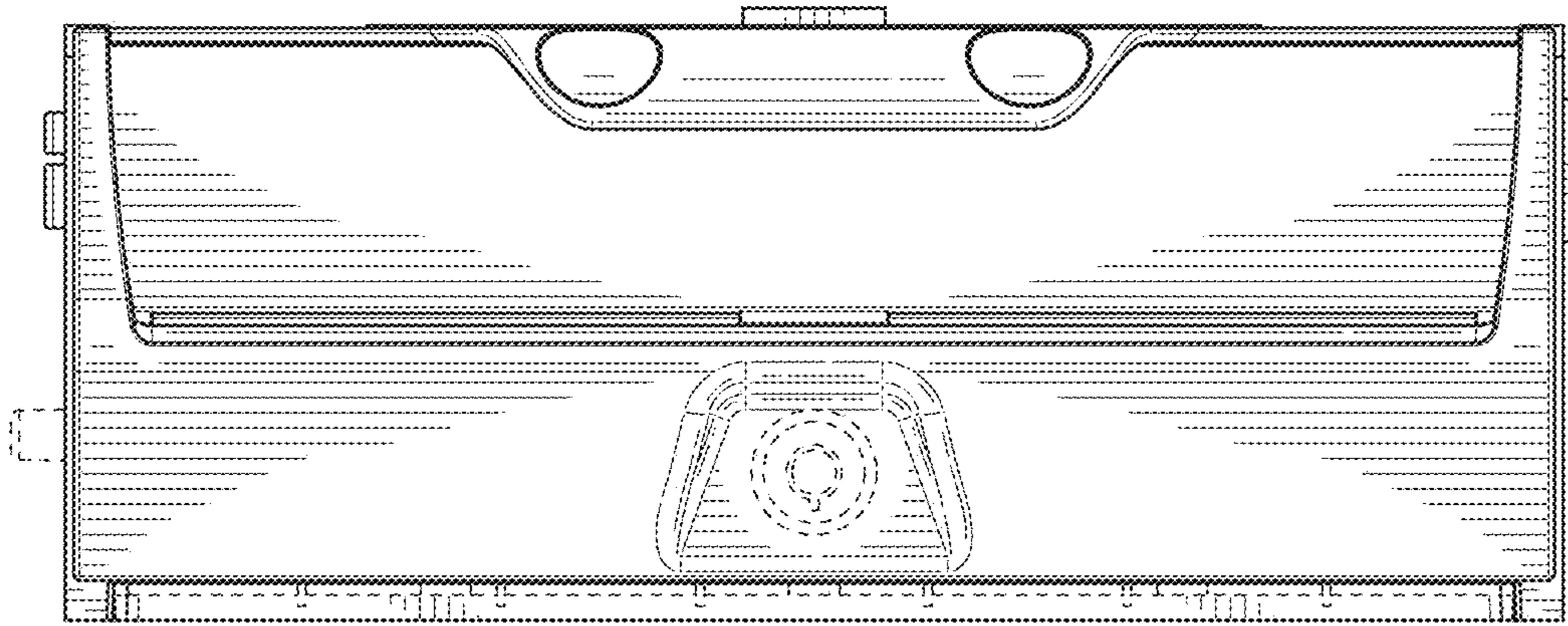


FIG. 4

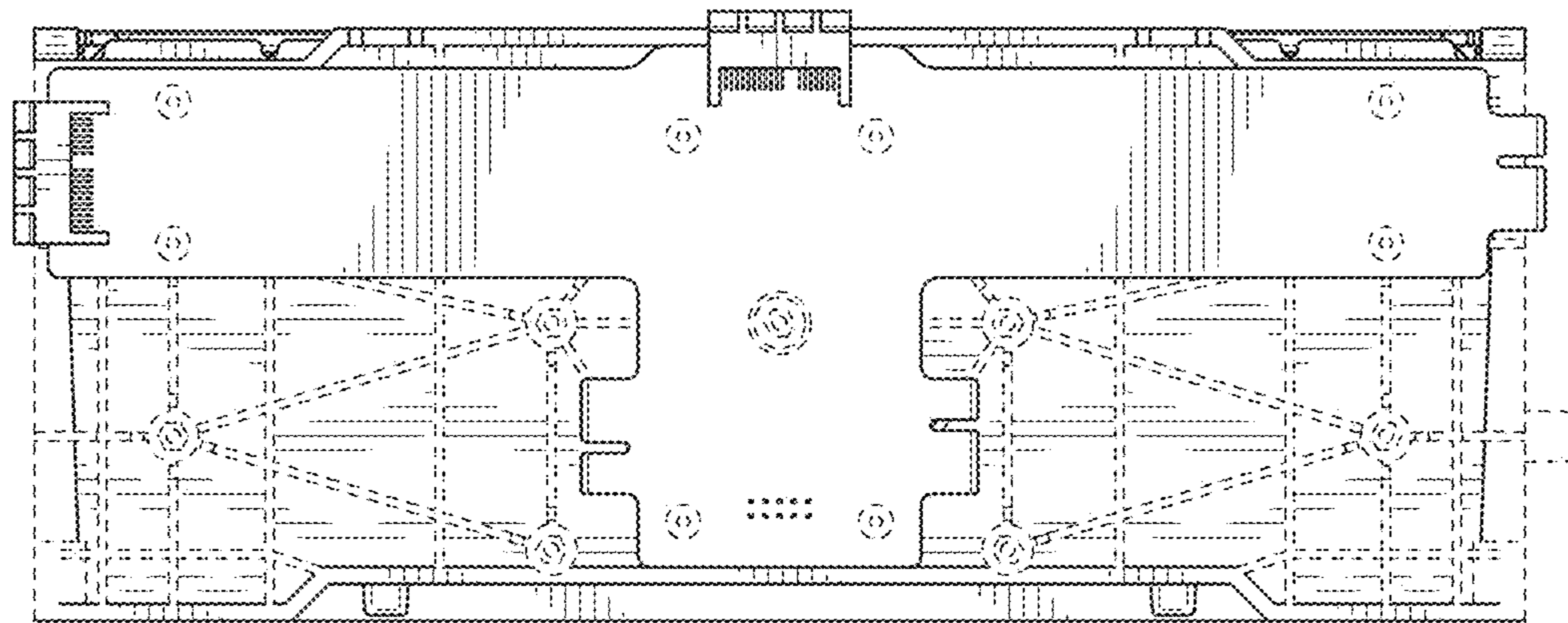


FIG. 5

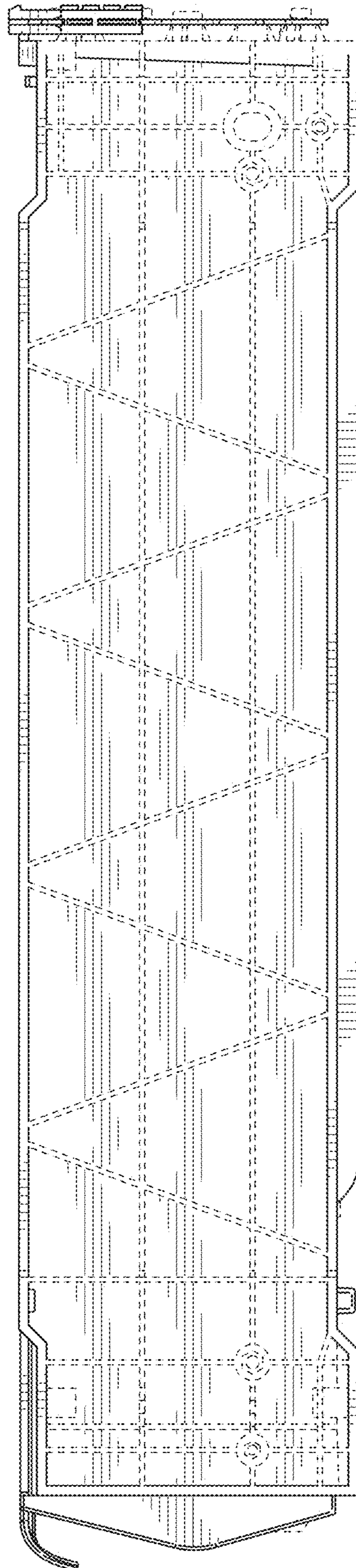


FIG. 6

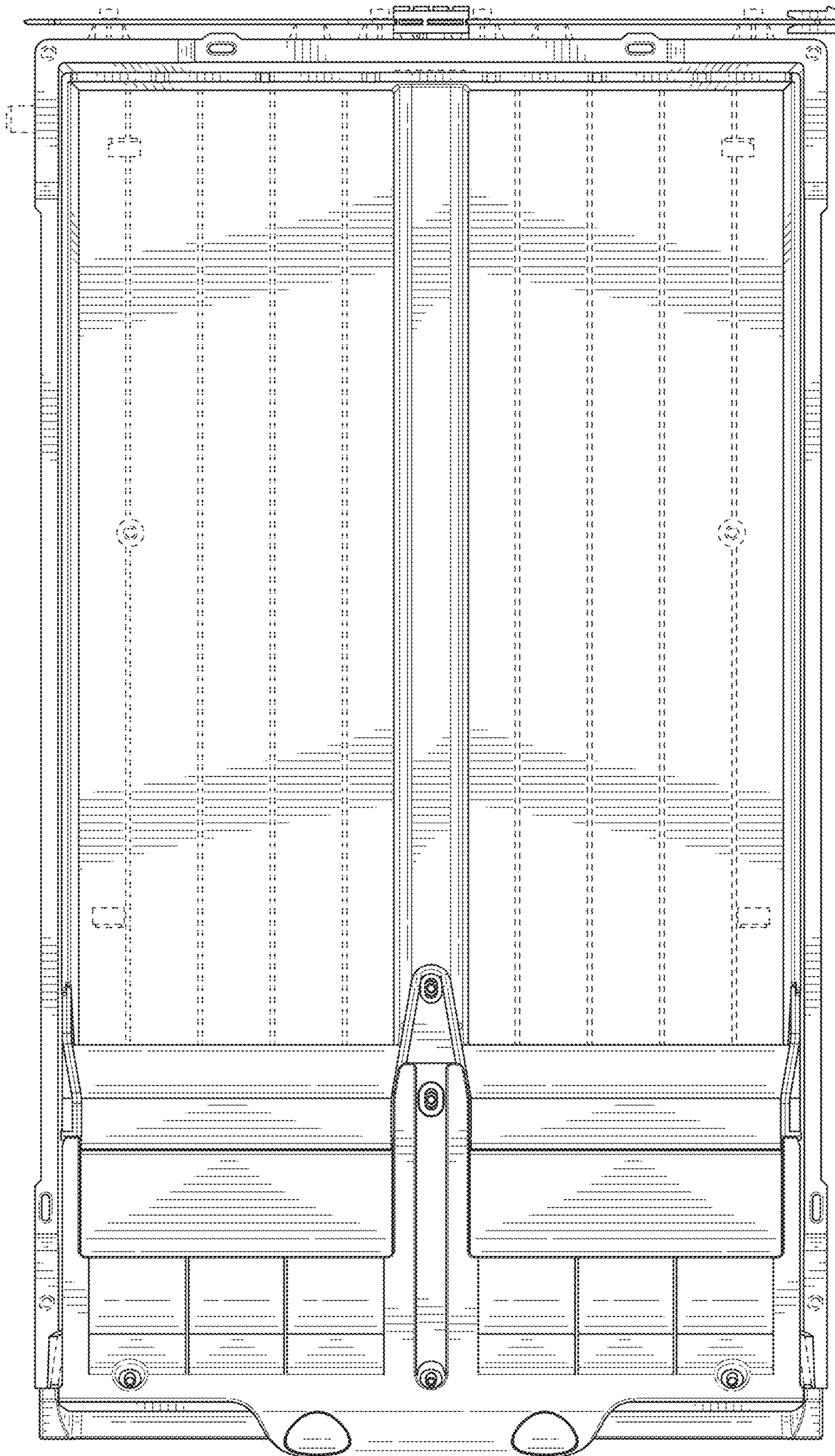


FIG. 7

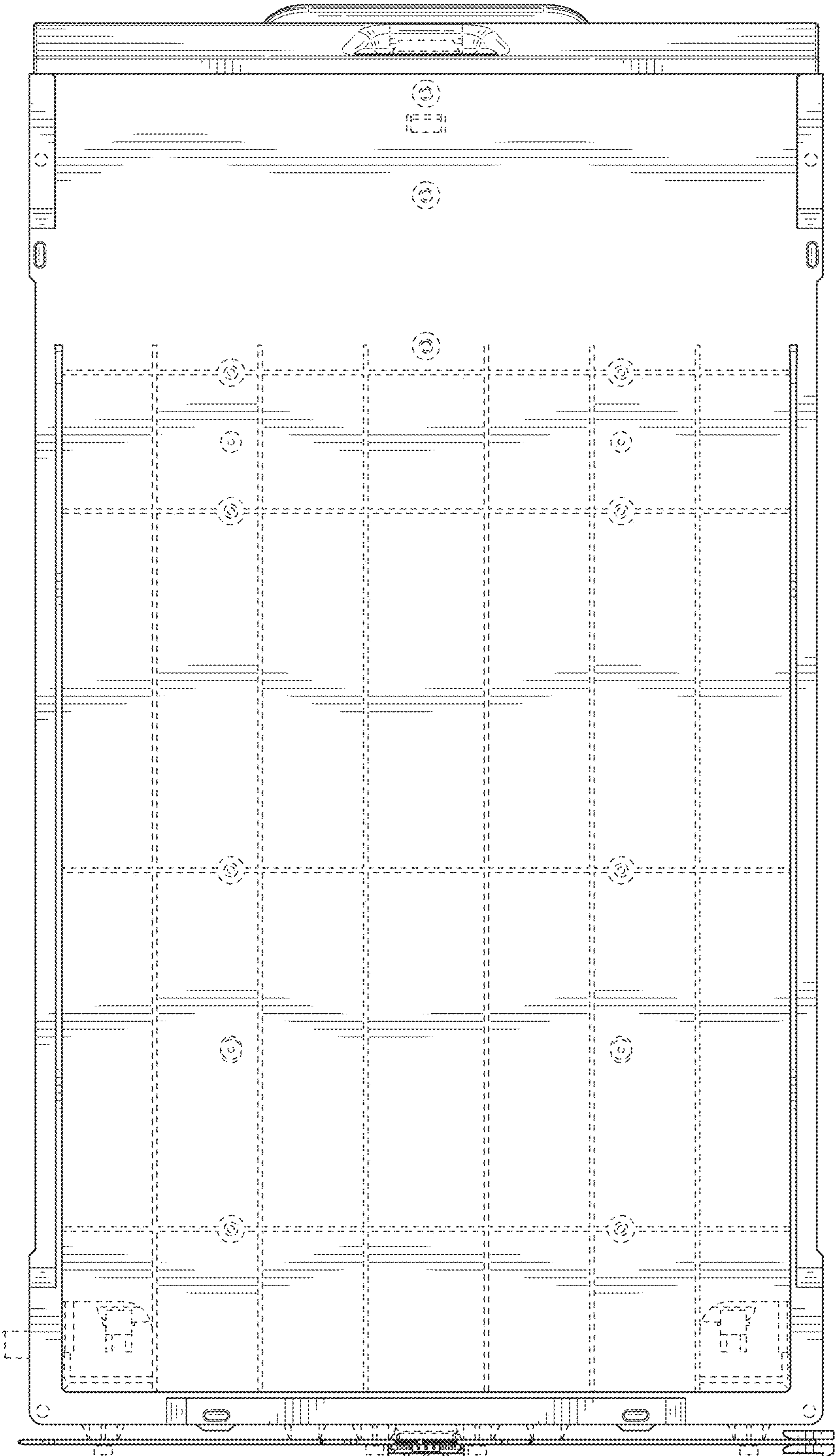


FIG. 8