



US00D996523S

(12) **United States Design Patent**  
**Thompson et al.**

(10) **Patent No.:** **US D996,523 S**

(45) **Date of Patent:** **\*\* Aug. 22, 2023**

(54) **LOTTERY TICKET MODULE**

(71) Applicant: **Scientific Games International, Inc.**,  
Newark, DE (US)

(72) Inventors: **Mark Andrew Thompson**, Buford, GA  
(US); **Sten Hallundbaek Mejenborg**,  
Cumming, GA (US); **James Jonathan**  
**Holbrook**, Cumming, GA (US)

(73) Assignee: **Scientific Games, LLC**, Alpharetta, GA  
(US)

(\*\*) Term: **15 Years**

(21) Appl. No.: **29/747,555**

(22) Filed: **Aug. 24, 2020**

**Related U.S. Application Data**

(62) Division of application No. 29/663,988, filed on Sep.  
20, 2018, now Pat. No. Des. 893,915.

(51) **LOC (14) Cl.** ..... **20-02**

(52) **U.S. Cl.**  
USPC ..... **D6/515**

(58) **Field of Classification Search**  
USPC ..... D6/515, 517; 206/425, 812, 831;  
221/13.1, 26, 208, 255, 282, 284-285,  
221/296, 303, 305; 222/105, 129, 135,  
222/173, 570; 225/6, 32, 34-35;  
D20/1-9, 99  
CPC ... G06Q 10/087; G07F 11/002; G07F 11/007;  
G07F 17/329  
See application file for complete search history.

(56) **References Cited**

**U.S. PATENT DOCUMENTS**

1,845,470 A \* 2/1932 Wood ..... G06K 21/02  
312/348.3  
2,938,623 A \* 5/1960 Eichorn ..... B65D 5/6697  
229/160

D209,159 S 11/1967 Kesllman  
4,379,603 A 4/1983 Johnson  
4,580,679 A 4/1986 Hellman, III  
4,627,535 A 12/1986 Kirchner  
D303,707 S \* 9/1989 Bolstad ..... D24/176  
4,923,070 A 5/1990 Jackie  
4,995,507 A 2/1991 Schafer  
D321,212 S \* 10/1991 Unruh ..... D20/8  
5,222,624 A 6/1993 Burr  
D369,622 S 5/1996 Fontaine

(Continued)

*Primary Examiner* — Nathan M Johnston

(74) *Attorney, Agent, or Firm* — Dority & Manning, P.A.

(57) **CLAIM**

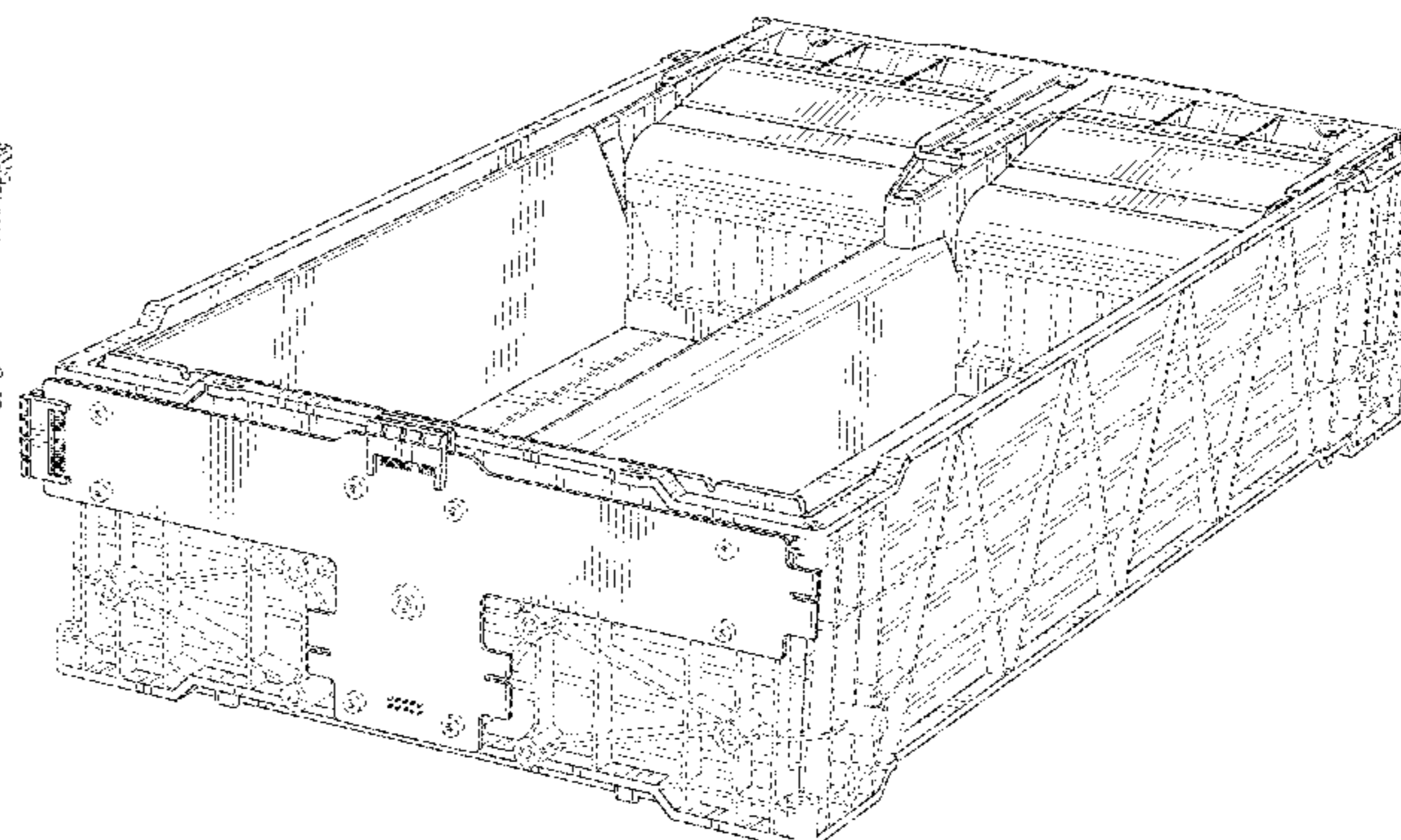
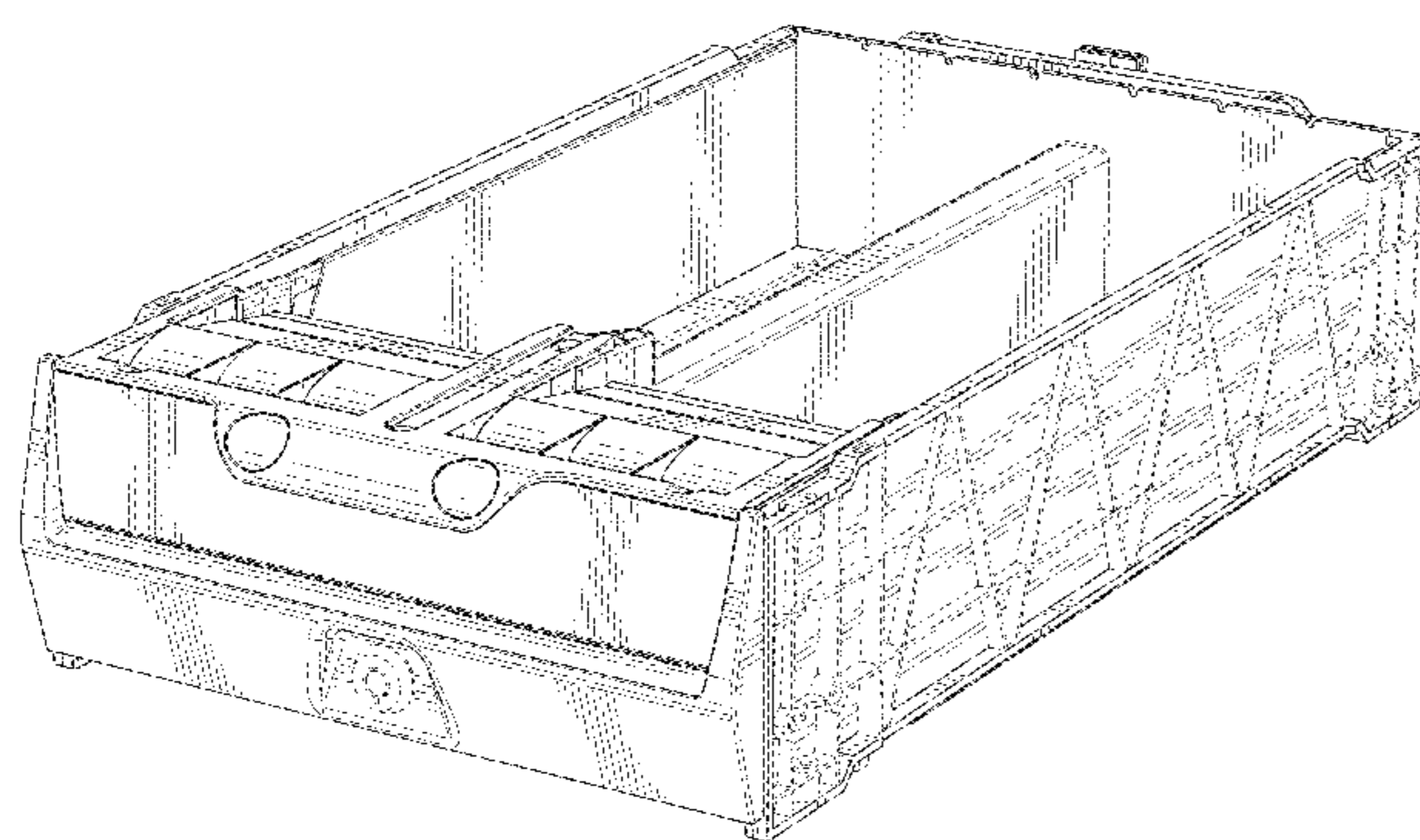
The ornamental design for a lottery ticket module, as shown  
and described.

**DESCRIPTION**

FIG. 1 is a front and right side perspective view of a lottery  
ticket module according to the present design;  
FIG. 2 is a back and left side perspective view of the lottery  
ticket module of FIG. 1;  
FIG. 3 is a bottom and left side perspective view of the  
lottery ticket module of FIG. 1;  
FIG. 4 is a front view of the lottery ticket module of FIG. 1;  
FIG. 5 is a back view of the lottery ticket module of FIG. 1;  
FIG. 6 is a right side view of the lottery ticket module of  
FIG. 1, wherein a left side view of the lottery ticket module  
is identical to the right side view;  
FIG. 7 is a top view of the lottery ticket module of FIG. 1;  
and,  
FIG. 8 is a bottom view of the lottery ticket module of FIG.  
1.

The claimed design comprises the elements shown in solid  
lines, the elements shown in dotted lines forming no part of  
the claimed design.

**1 Claim, 7 Drawing Sheets**



(56)

References Cited

U.S. PATENT DOCUMENTS

D369,708 S	5/1996	Breen		D501,227 S	1/2005	Boothe et al.	
5,590,770 A	1/1997	Yeh		6,901,631 B1	6/2005	Lin	
D380,113 S	6/1997	Byrd		7,040,726 B2	5/2006	Steffee	
D381,849 S	8/1997	Snyder		D592,704 S	5/2009	Becker et al.	
D382,141 S	8/1997	Capeto		D595,358 S	6/2009	Becker et al.	
D395,970 S	7/1998	Curry		10,071,848 B2 *	9/2018	Ghia .....	G07D 11/34
5,996,794 A	12/1999	Popovich		10,134,244 B1	11/2018	Holbrook	
D423,217 S	4/2000	Varfeldt		D891,518 S *	7/2020	Thompson .....	D20/2
6,095,624 A *	8/2000	Wilbert .....	G07B 3/04 312/293.3	2005/0211582 A1	9/2005	Richards	
6,237,784 B1	5/2001	Primiano		2007/0075028 A1	4/2007	Nagel	
6,375,115 B1 *	4/2002	Reed .....	B65H 49/32 242/594.4	2009/0261048 A1	10/2009	Roeske	
D459,927 S	7/2002	Flowers		2010/0107670 A1 *	5/2010	Kottke .....	A47F 5/0838 62/250
6,575,090 B1 *	6/2003	Vienneau .....	B41J 13/103 463/16	2011/0048304 A1	3/2011	Kato	
6,739,461 B1	5/2004	Robinson		2011/0100941 A1	5/2011	Luberto	
				2012/0055397 A1	3/2012	Kodama	
				2014/0046481 A1 *	2/2014	Siciliano .....	G07D 11/28 700/236
				2021/0110630 A1 *	4/2021	Mejenborg .....	G07F 17/3202
				2022/0114842 A1 *	4/2022	Mejenborg .....	B26F 3/02

\* cited by examiner

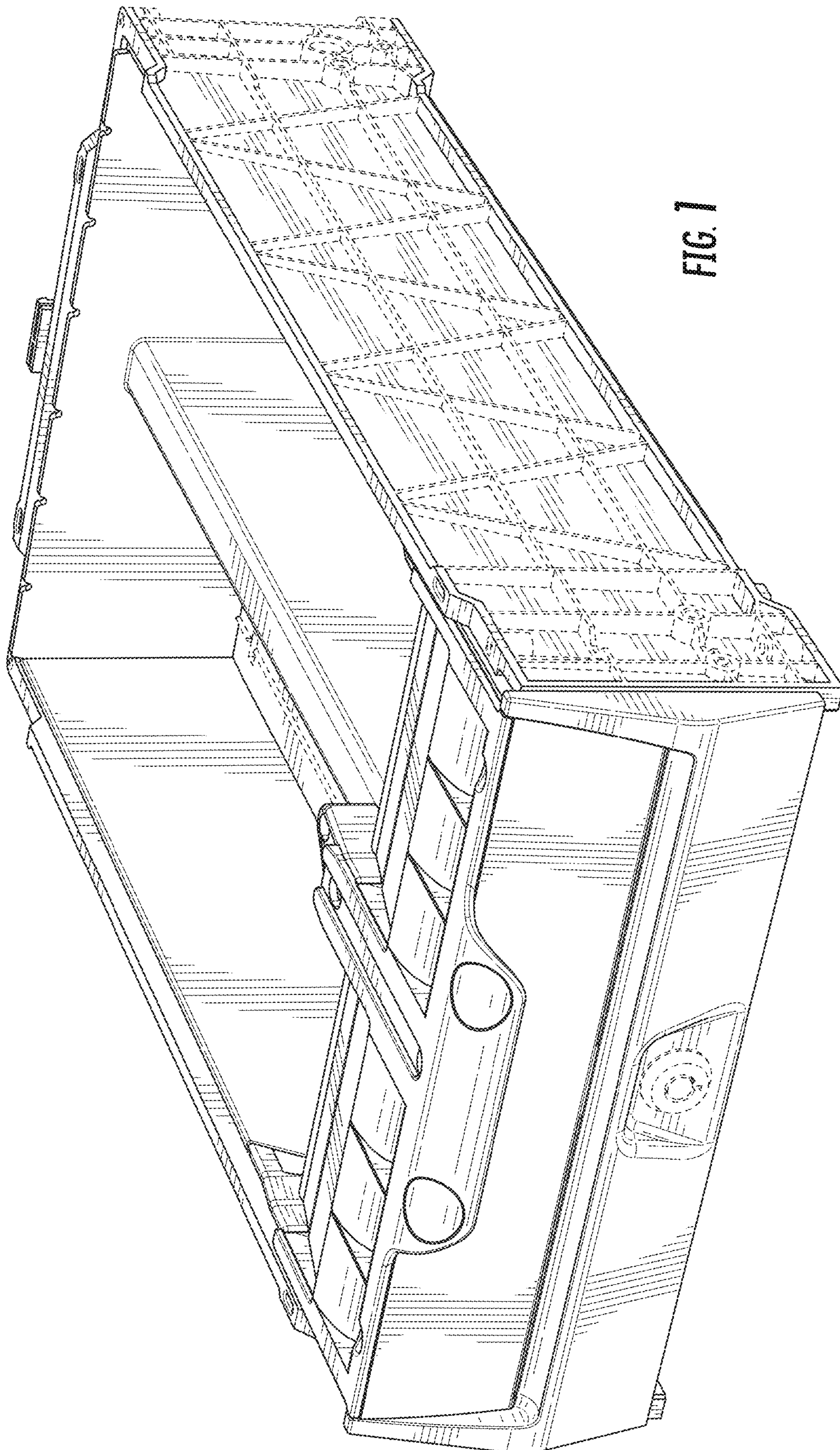


FIG. 1

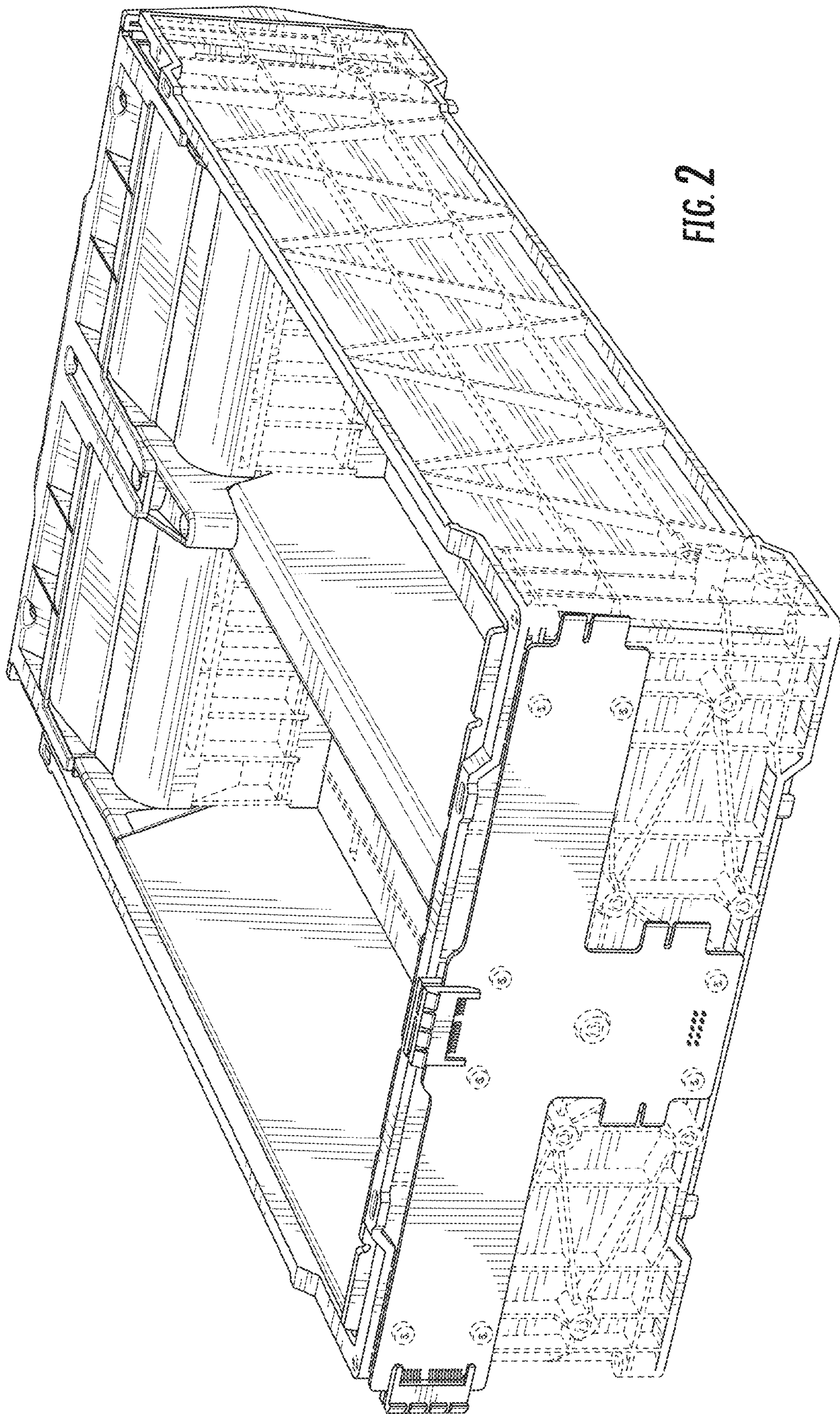


FIG. 2

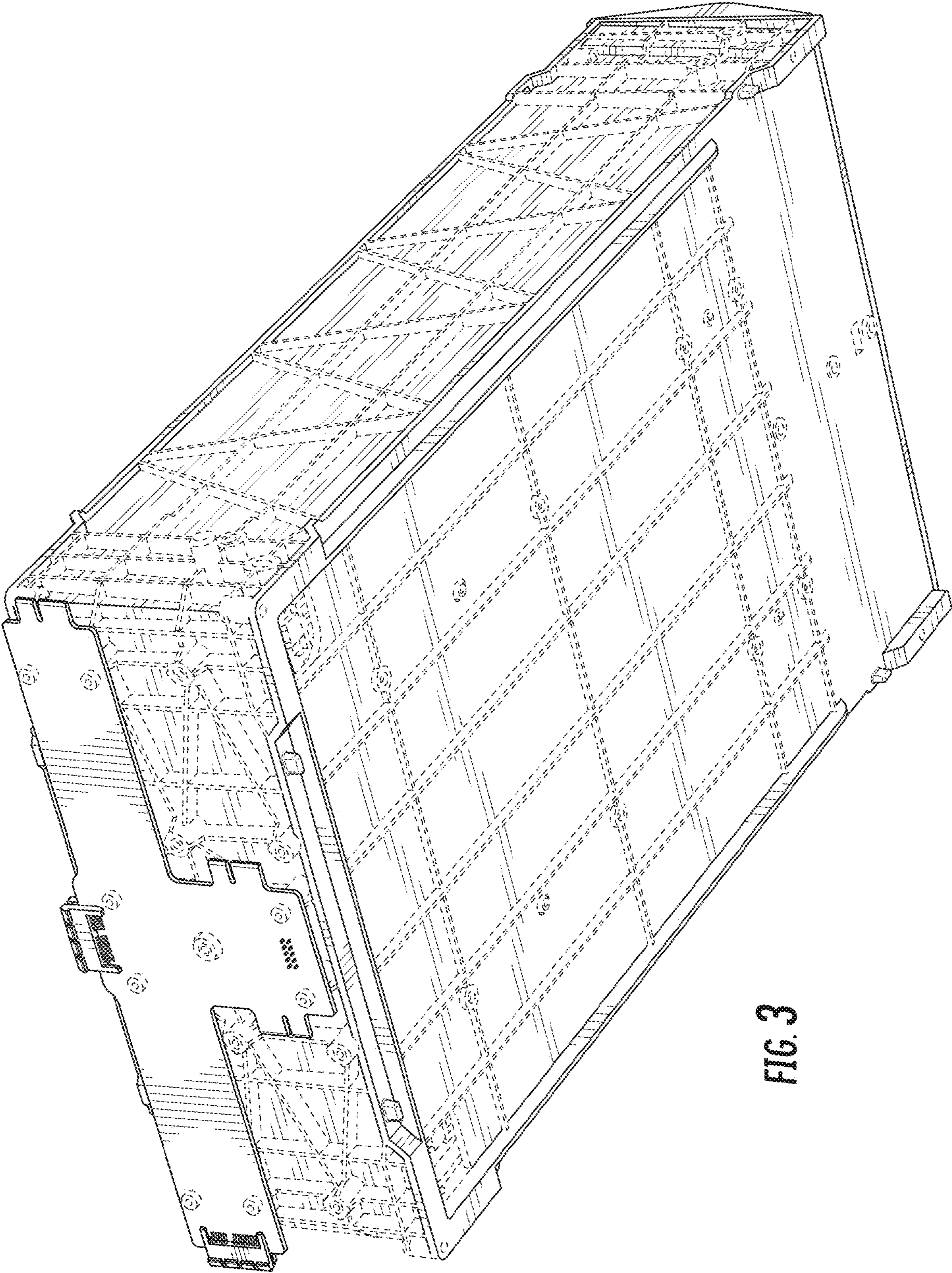


FIG. 3

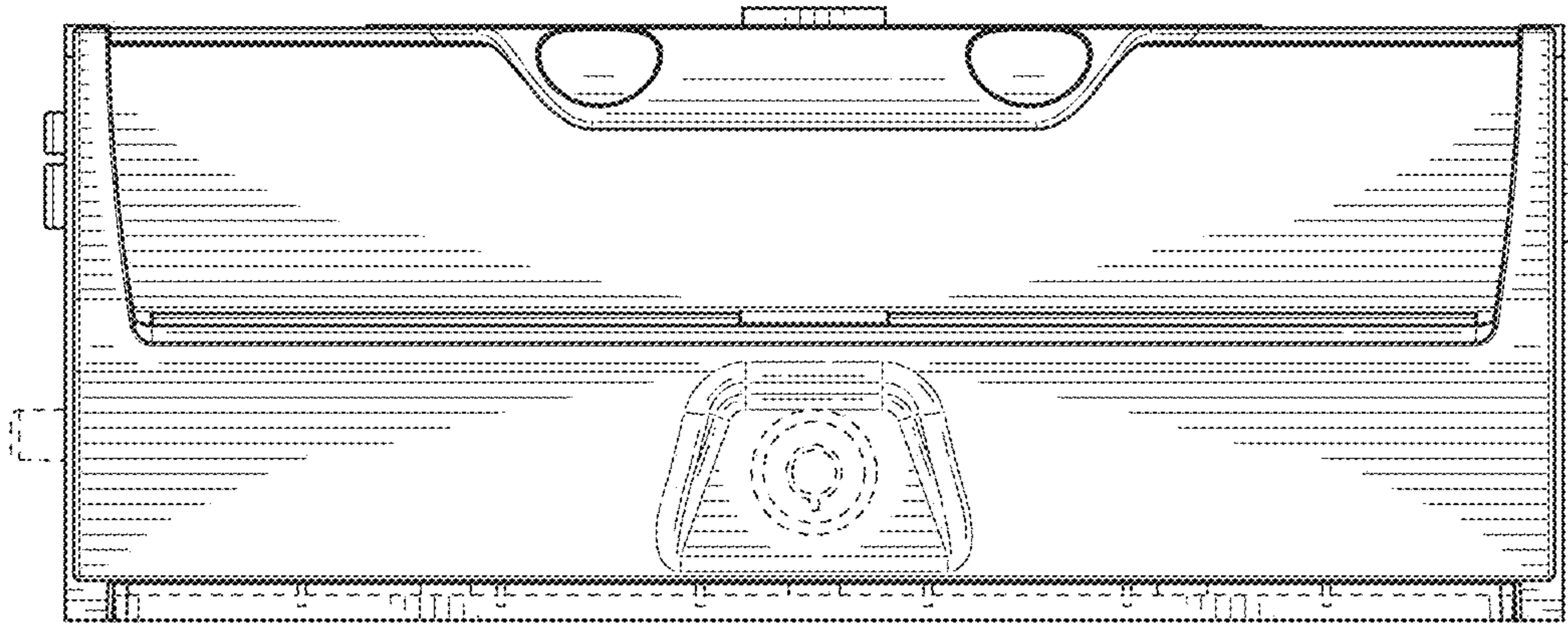


FIG. 4

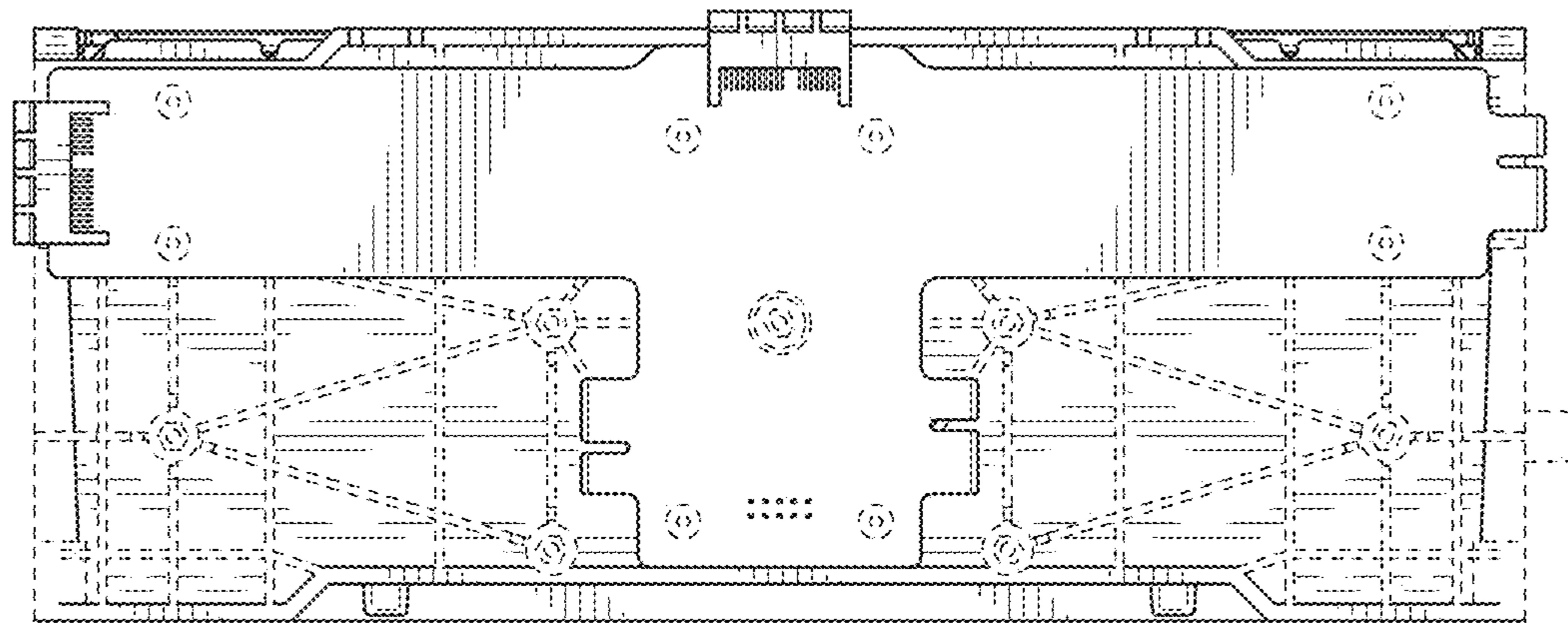


FIG. 5

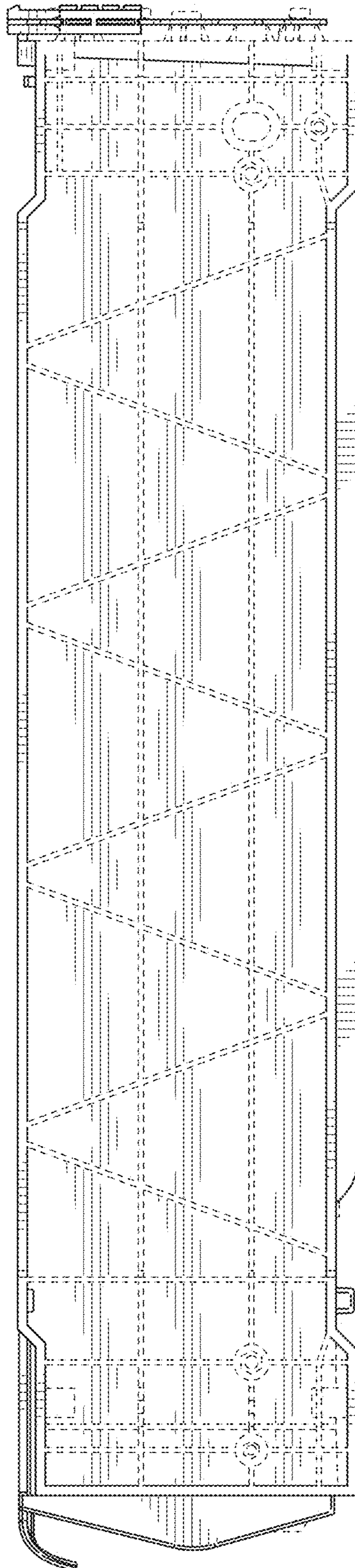


FIG. 6

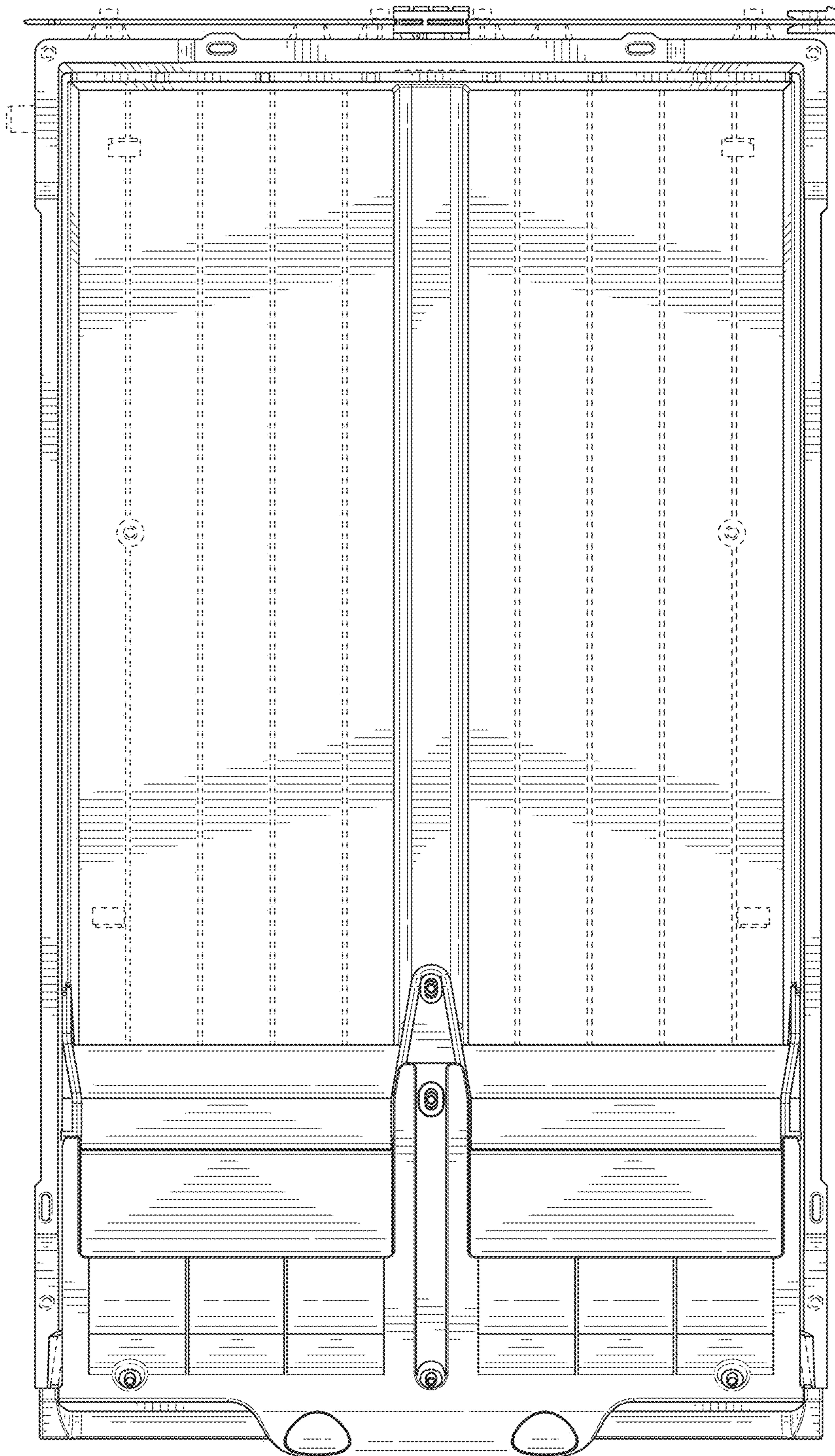


FIG. 7



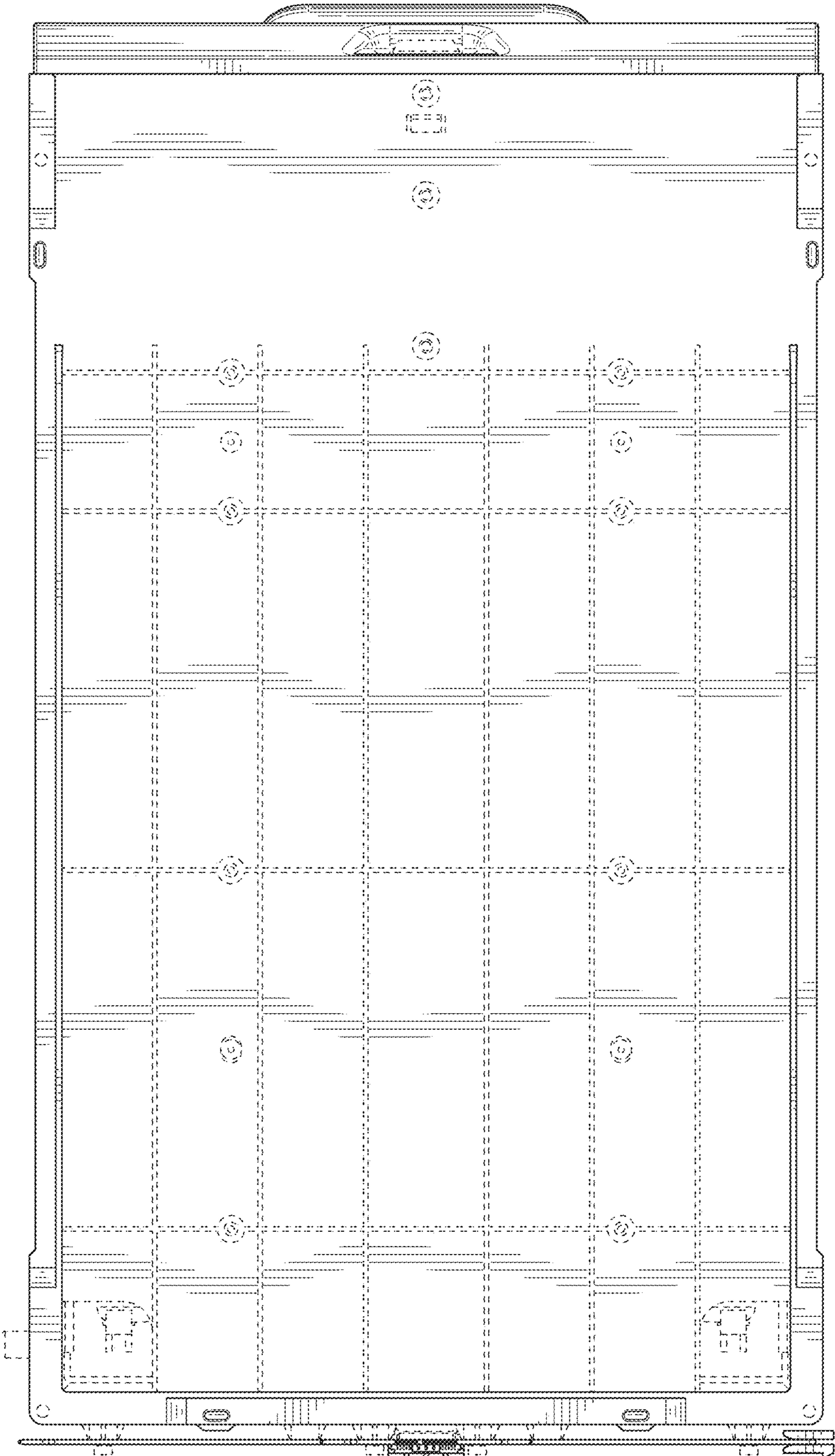


FIG. 8