



US00D996485S

(12) **United States Design Patent**
Choi et al.

(10) **Patent No.:** **US D996,485 S**

(45) **Date of Patent:** **** Aug. 22, 2023**

- (54) **SECURITY ROBOT**
- (71) Applicant: **DEKA Products Limited Partnership**,
Manchester, NH (US)
- (72) Inventors: **Sooshin Choi**, Londonderry, NH (US);
Thomas A. Doyon, Manchester, NH
(US); **Christopher C. Langenfeld**,
Nashua, NH (US); **Prashant Bhat**,
Bedford, NH (US); **Michael J. Slate**,
Merrimack, NH (US); **Justin M.**
Whitney, Goffstown, NH (US); **Daniel**
B. Finnegan, Pembroke, NH (US);
Spencer Trafton, Nashua, NH (US)
- (73) Assignee: **DEKA Products Limited Partnership**,
Manchester, NH (US)

D488,093 S *	4/2004	Lindemann	D12/1
D545,721 S *	7/2007	Hacker	D12/1
D711,479 S *	8/2014	Lee	D15/199
D813,284 S *	3/2018	Wei	D15/199
D813,285 S *	3/2018	Wei	D15/199
D816,119 S *	4/2018	Pu	A63C 17/12 D6/354
D817,375 S *	5/2018	Deyle	D15/199
D822,124 S *	7/2018	Bei	D21/533
D830,437 S *	10/2018	Metta	D15/199
D837,855 S *	1/2019	Chen	B25J 11/008 D15/199
D838,320 S *	1/2019	Lee	D21/533
D846,616 S *	4/2019	Deyle	D15/199
D849,813 S *	5/2019	Sutherland	D21/578
D851,148 S *	6/2019	Wang	D15/199
D855,673 S *	8/2019	Sutherland	D15/199
D857,773 S *	8/2019	Muraishi	D15/199
D859,485 S *	9/2019	Sutherland	D15/199
10,414,052 B2	9/2019	Deyle et al.	
D866,628 S *	11/2019	Xi	A63C 17/12 D15/199

(**) Term: **15 Years**

(Continued)

(21) Appl. No.: **29/788,433**

Primary Examiner — Patricia A Palasik

(22) Filed: **May 26, 2021**

(74) *Attorney, Agent, or Firm* — William A. Bonk, III

(51) **LOC (14) Cl.** **15-99**

(57) **CLAIM**

(52) **U.S. Cl.**
USPC **D15/199**

The ornamental design for a security robot, as shown and described.

(58) **Field of Classification Search**
USPC D15/199; D21/578–583, 621, 622;
D32/21; D34/34
CPC B25J 5/007; B25J 11/008; B60B 19/006;
B62D 57/024; Y10S 901/01
See application file for complete search history.

DESCRIPTION

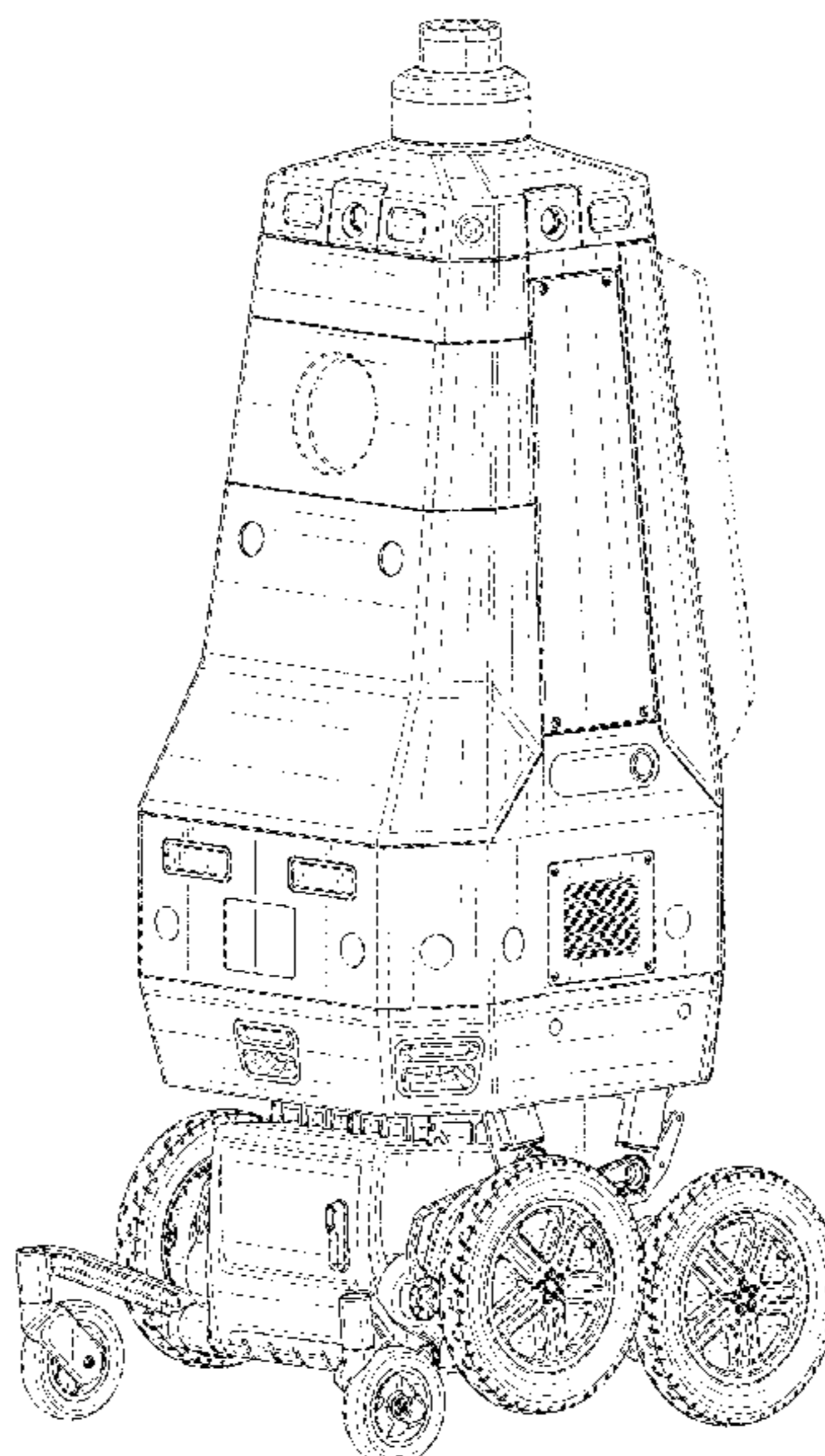
FIG. 1 is a front, left side perspective view of the security robot, showing our new design;
FIG. 2 is a rear, left side perspective view of the security robot, showing our new design;
FIG. 3 is a front side elevational view thereof.
FIG. 4 is a rear side elevational view thereof;
FIG. 5 is a right side elevational view thereof;
FIG. 6 is a left side elevational view thereof;
FIG. 7 is a top plan view thereof; and,
FIG. 8 is a bottom plan view thereof.

(56) **References Cited**

U.S. PATENT DOCUMENTS

D292,223 S *	10/1987	Trumbull	D21/578
D314,401 S *	2/1991	Lehman	D20/3
6,113,343 A *	9/2000	Goldenberg	B25J 19/005 239/587.2
D437,255 S *	2/2001	Bickler	D12/1

1 Claim, 8 Drawing Sheets



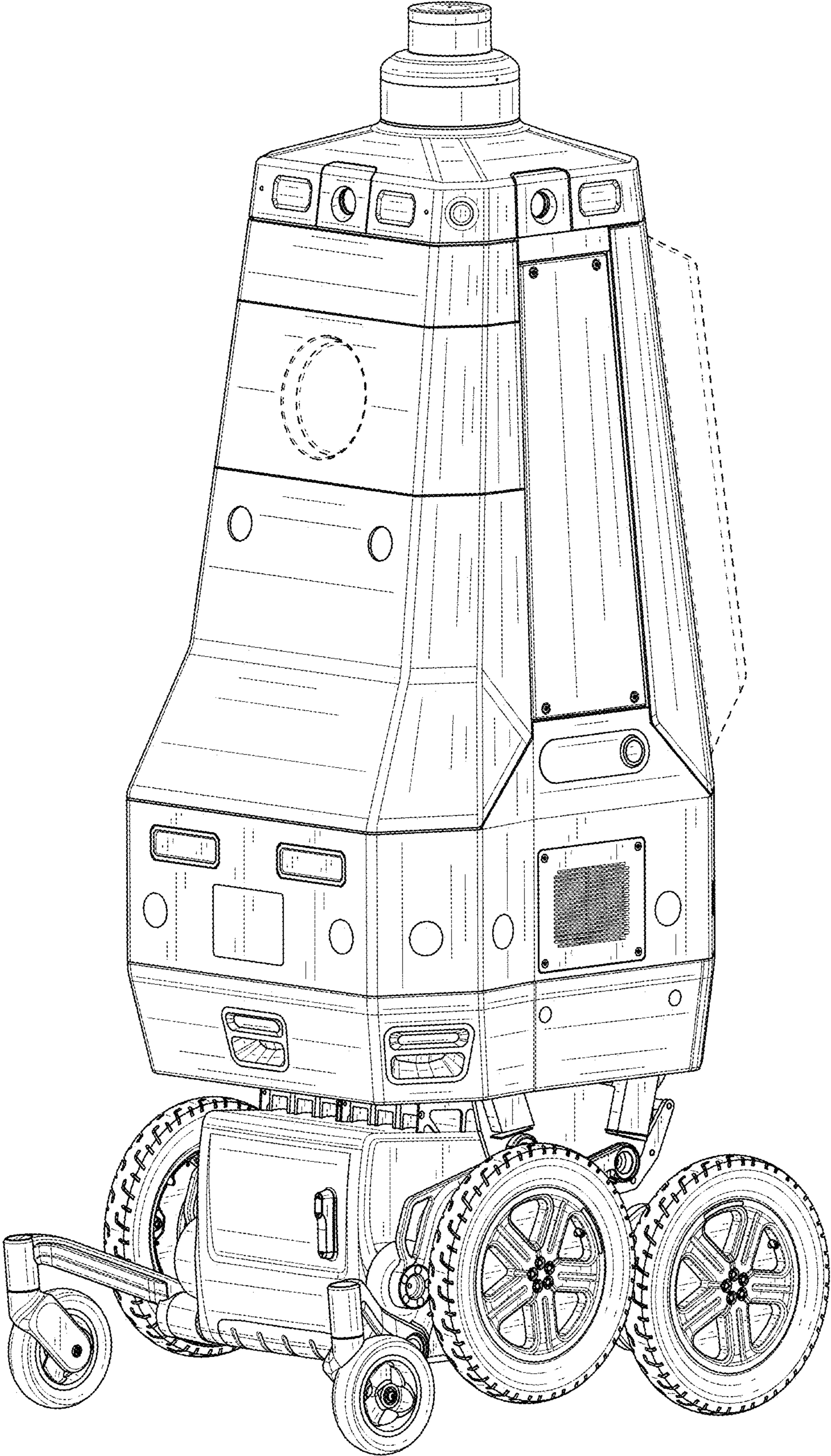


FIG. 1

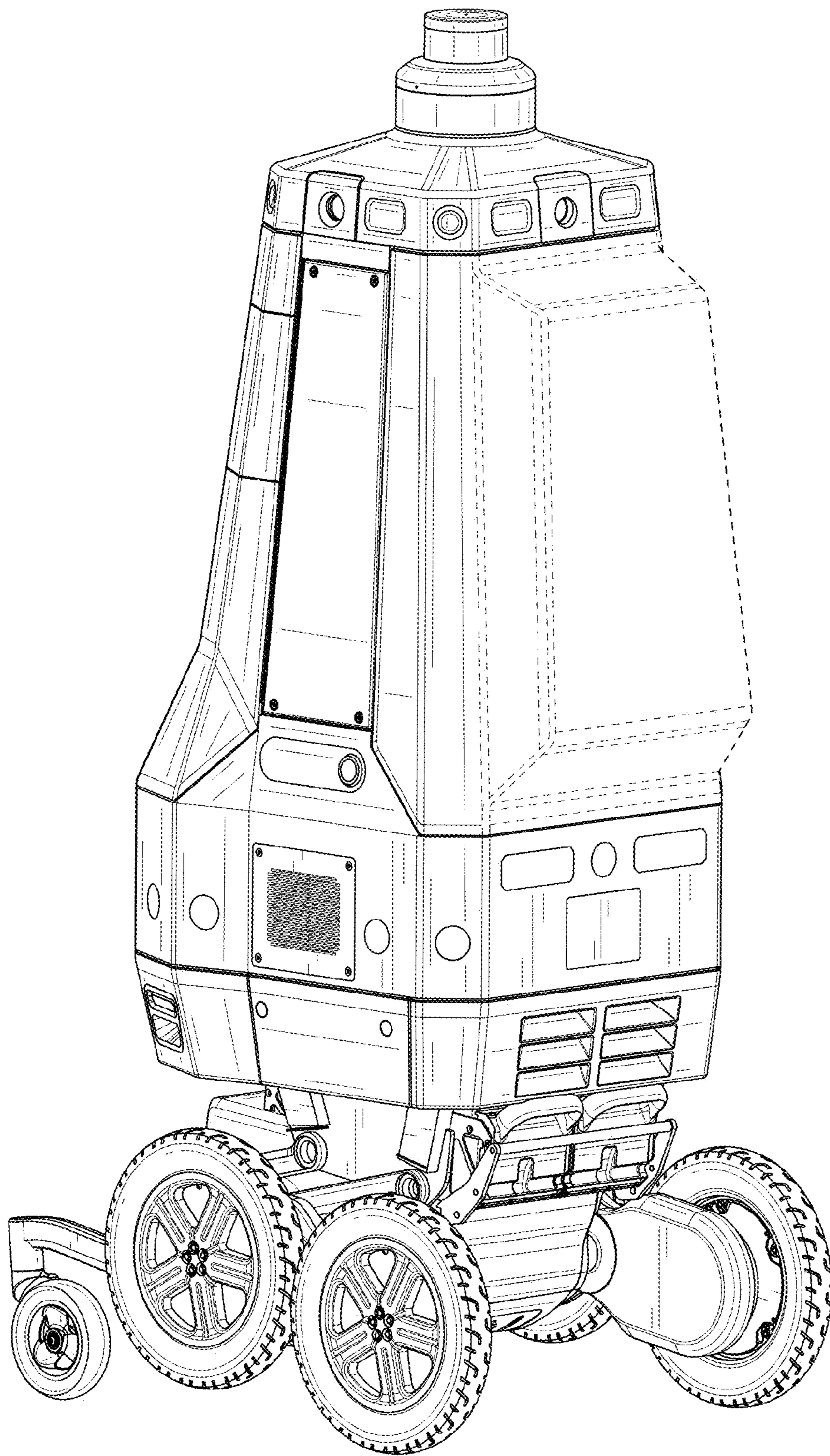


FIG. 2

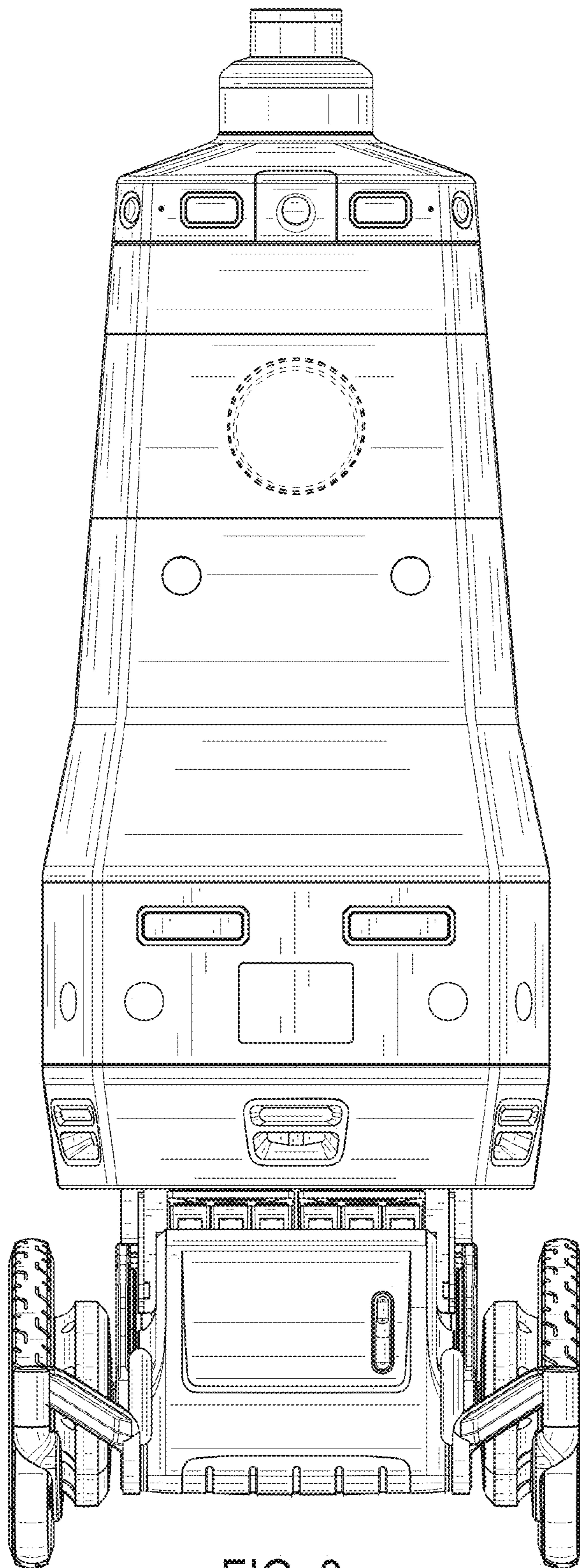


FIG. 3

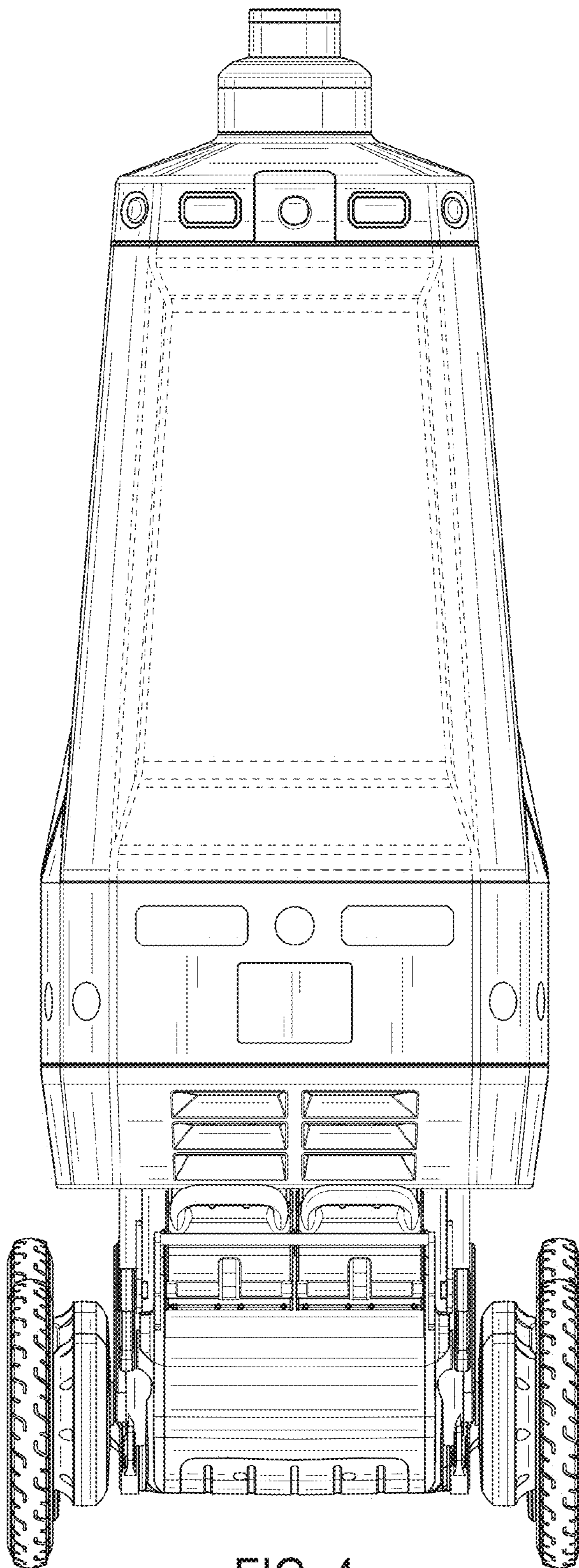


FIG. 4

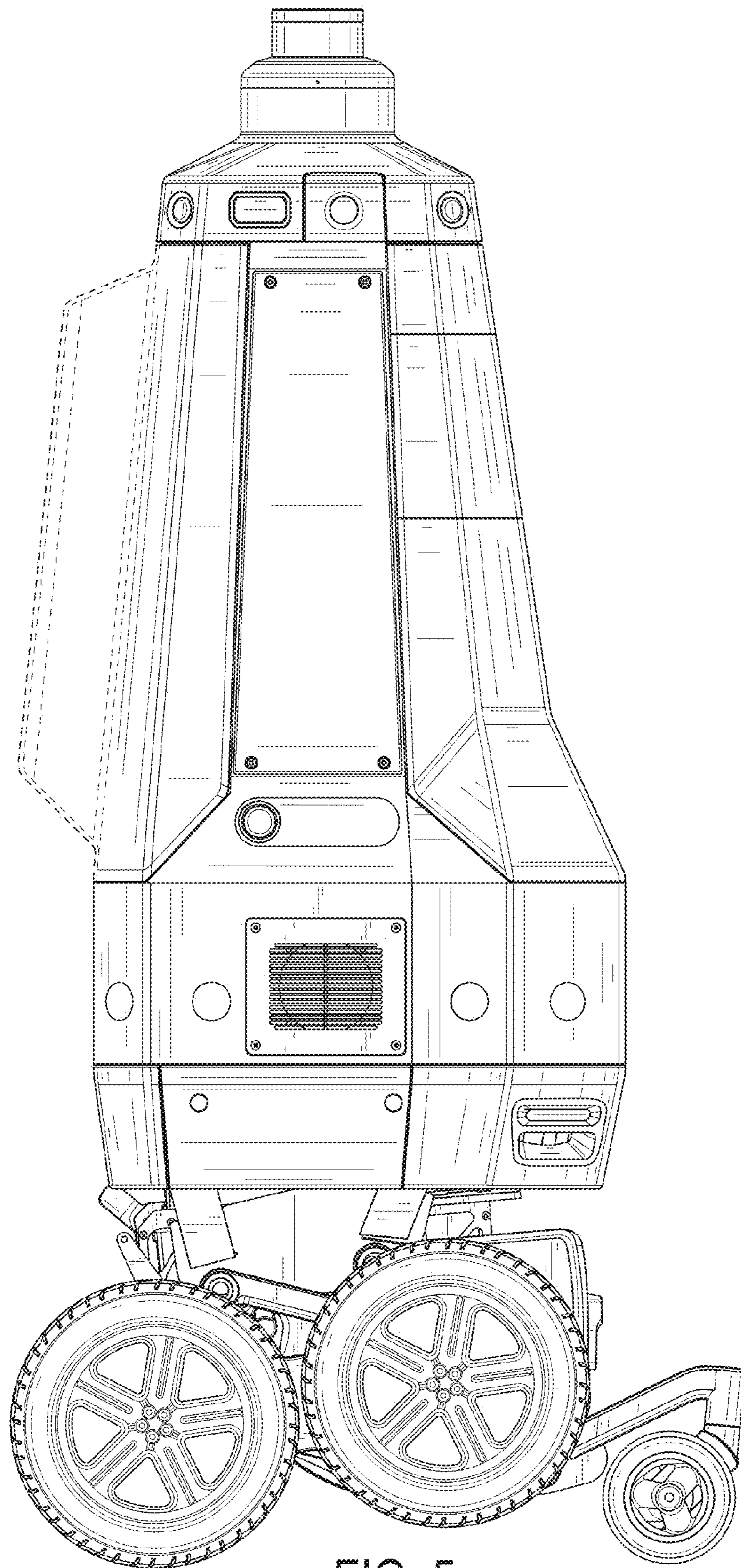


FIG. 5

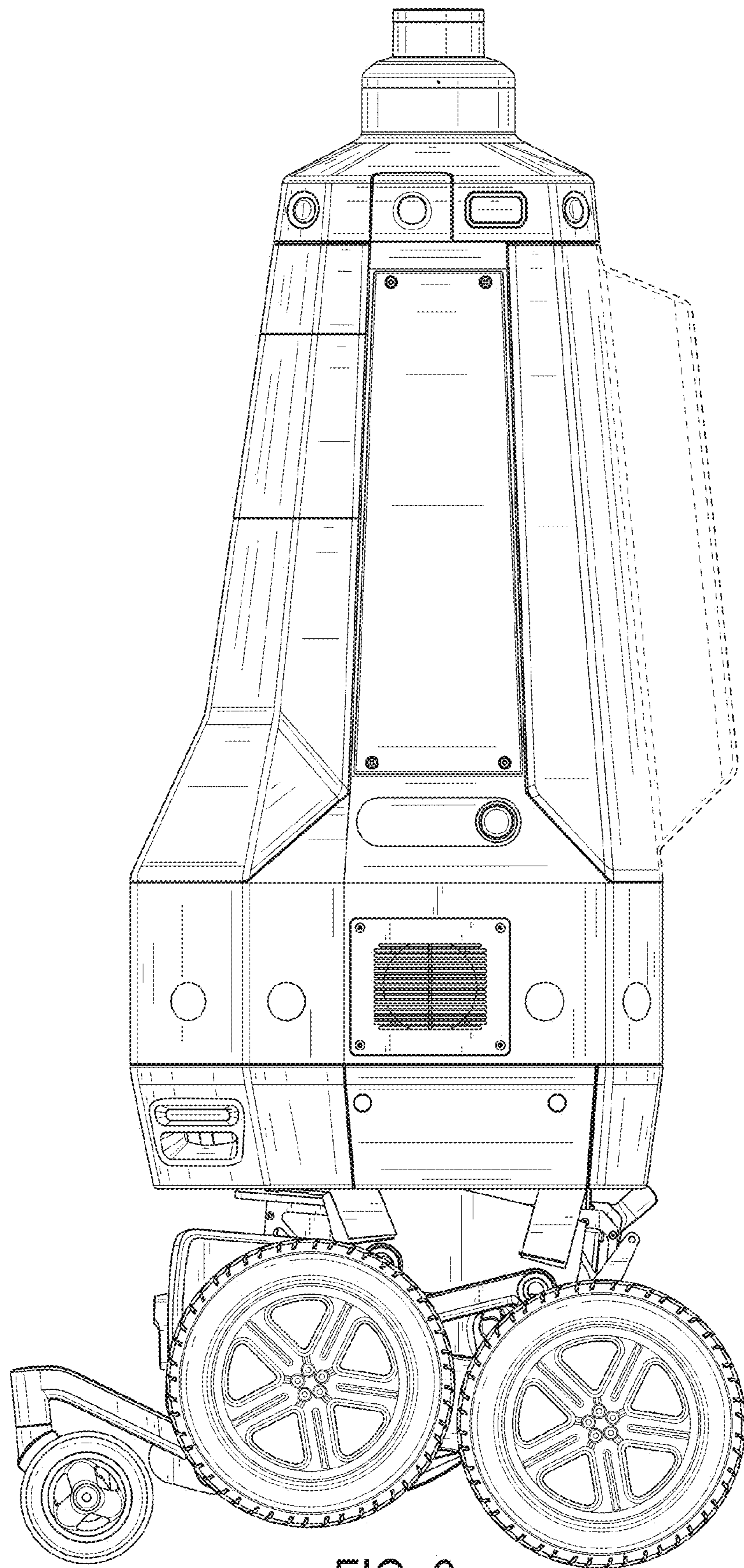


FIG. 6

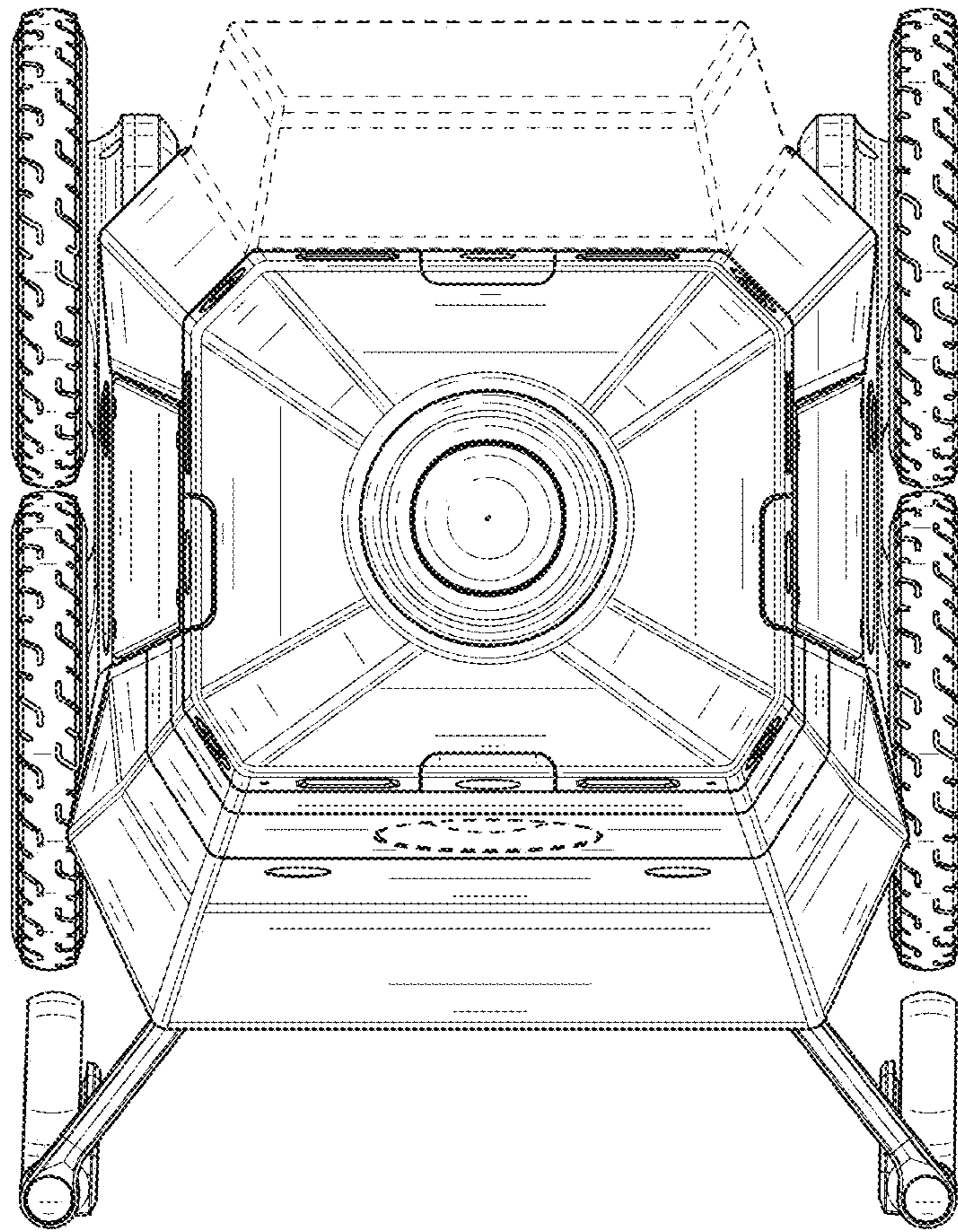


FIG. 7

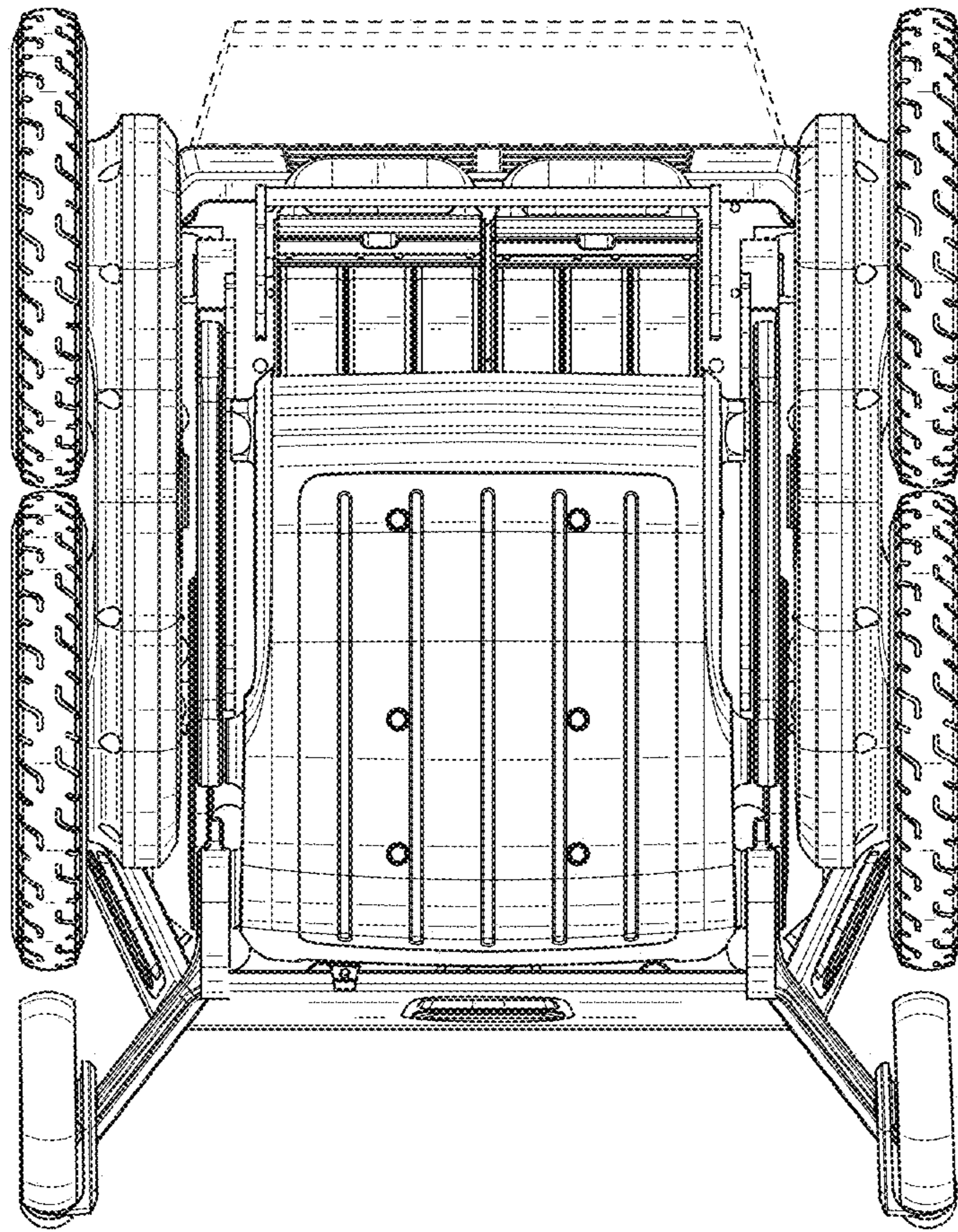


FIG. 8