



US00D996395S

(12) **United States Design Patent**  
**Johnson**

(10) **Patent No.:** **US D996,395 S**  
(45) **Date of Patent:** **\*\* Aug. 22, 2023**

(54) **STRAP FOR A PORTABLE SOUND MACHINE**

(71) Applicant: **Perch Acquisition Co. 36, LLC**,  
Boston, MA (US)

(72) Inventor: **Brian P. Johnson**, Dallas, TX (US)

(73) Assignee: **Perch Acquisition Co. 36, LLC**,  
Boston, MA (US)

(\*\*) Term: **15 Years**

(21) Appl. No.: **29/766,596**

(22) Filed: **Jan. 15, 2021**

(51) **LOC (14) Cl.** ..... **14-01**

(52) **U.S. Cl.**  
USPC ..... **D14/217**

(58) **Field of Classification Search**  
USPC ..... D24/107, 185-187; D10/75, 70, 30, 32,  
D10/38; D14/344, 217; D11/2-5  
CPC ..... A61B 5/04; A61B 5/021; A61B 5/024;  
A61B 5/02438; A61B 5/681; A61B  
5/0402; A61B 2560/0462; A61B 5/0205  
See application file for complete search history.

(56) **References Cited**

U.S. PATENT DOCUMENTS

2,723,067	A	*	11/1955	Fretz	.....	A45F 5/10
						294/152
D332,980	S	*	2/1993	Wilson	.....	D21/694
D650,873	S	*	12/2011	Terry	.....	D21/694
D665,963	S	*	8/2012	Liljedahl	.....	D34/28
D676,425	S	*	2/2013	Nishimura	.....	D3/215
D767,248	S	*	9/2016	Rogers	.....	D2/624
D793,671	S	*	8/2017	Grenville	.....	D2/853
D827,214	S	*	8/2018	Cress	.....	D30/136
D828,822	S	*	9/2018	Dallmeyer	.....	D14/217
D831,105	S	*	10/2018	Lucas	.....	D17/20
D842,584	S	*	3/2019	Sooahoo	.....	D2/706

(Continued)

FOREIGN PATENT DOCUMENTS

CN	307917889	*	3/2023
KR	301211758.0000	*	4/2023

OTHER PUBLICATIONS

Serent Evolution White Noise Machine—Amazon, Announced on May 25, 2021 [online], retrieved on Apr. 22, 2023, retrieved from internet, <https://www.amazon.com/Serene-Evolution-Portable-Sleeping-Soothing/dp/B095TSZPLL?th=1> (Year: 2021).\*

(Continued)

*Primary Examiner* — Barbara Fox

*Assistant Examiner* — Noah Perez

(74) *Attorney, Agent, or Firm* — Wolf, Greenfield & Sacks, P.C.

(57) **CLAIM**

The ornamental design for a strap for a portable sound machine, as shown and described.

**DESCRIPTION**

FIG. 1 is a top perspective view of a strap for a portable sound machine.

FIG. 2 is a bottom perspective view of a strap for a portable sound machine.

FIG. 3 is a first side profile view of a strap for a portable sound machine.

FIG. 4 is a second side profile view of a strap for a portable sound machine.

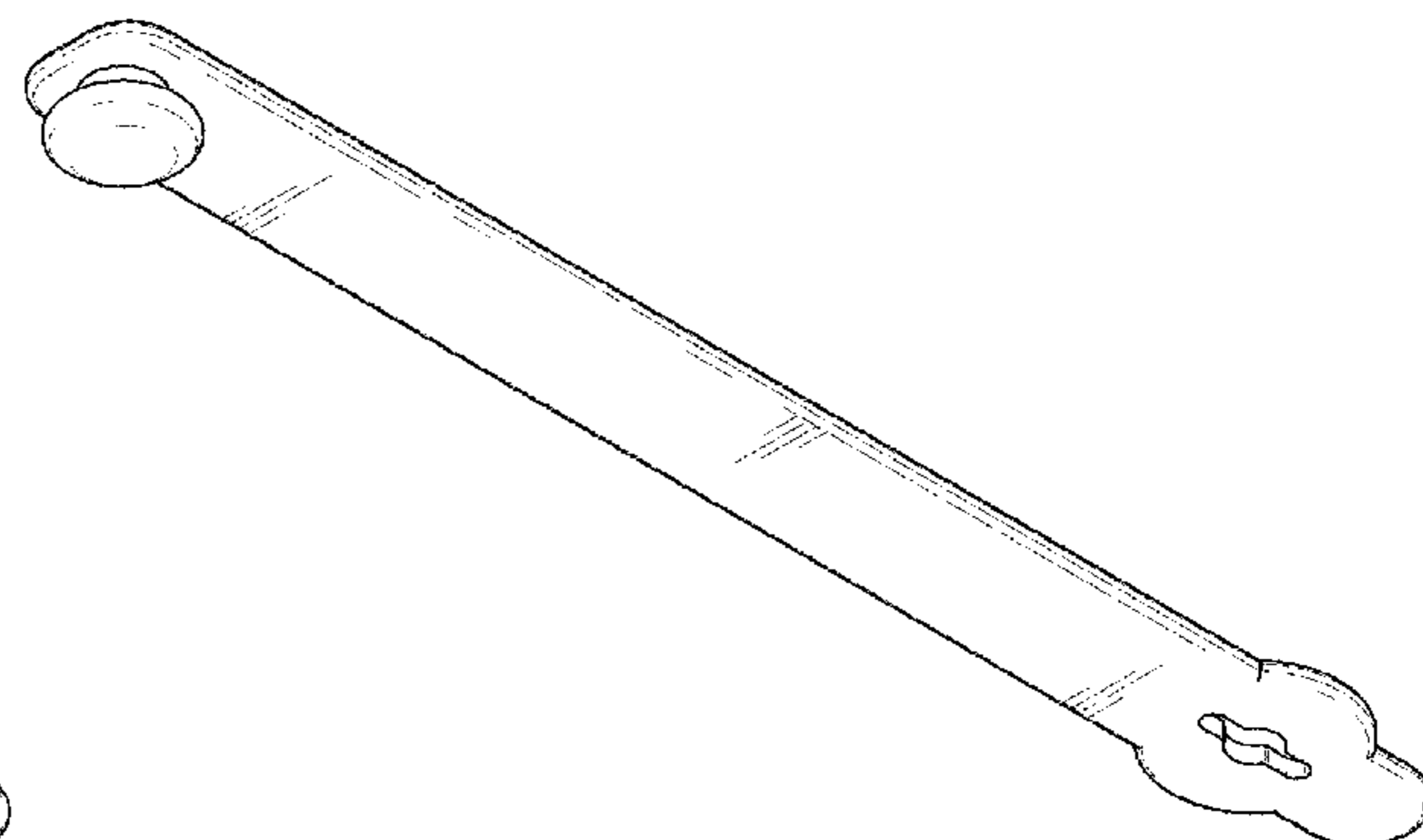
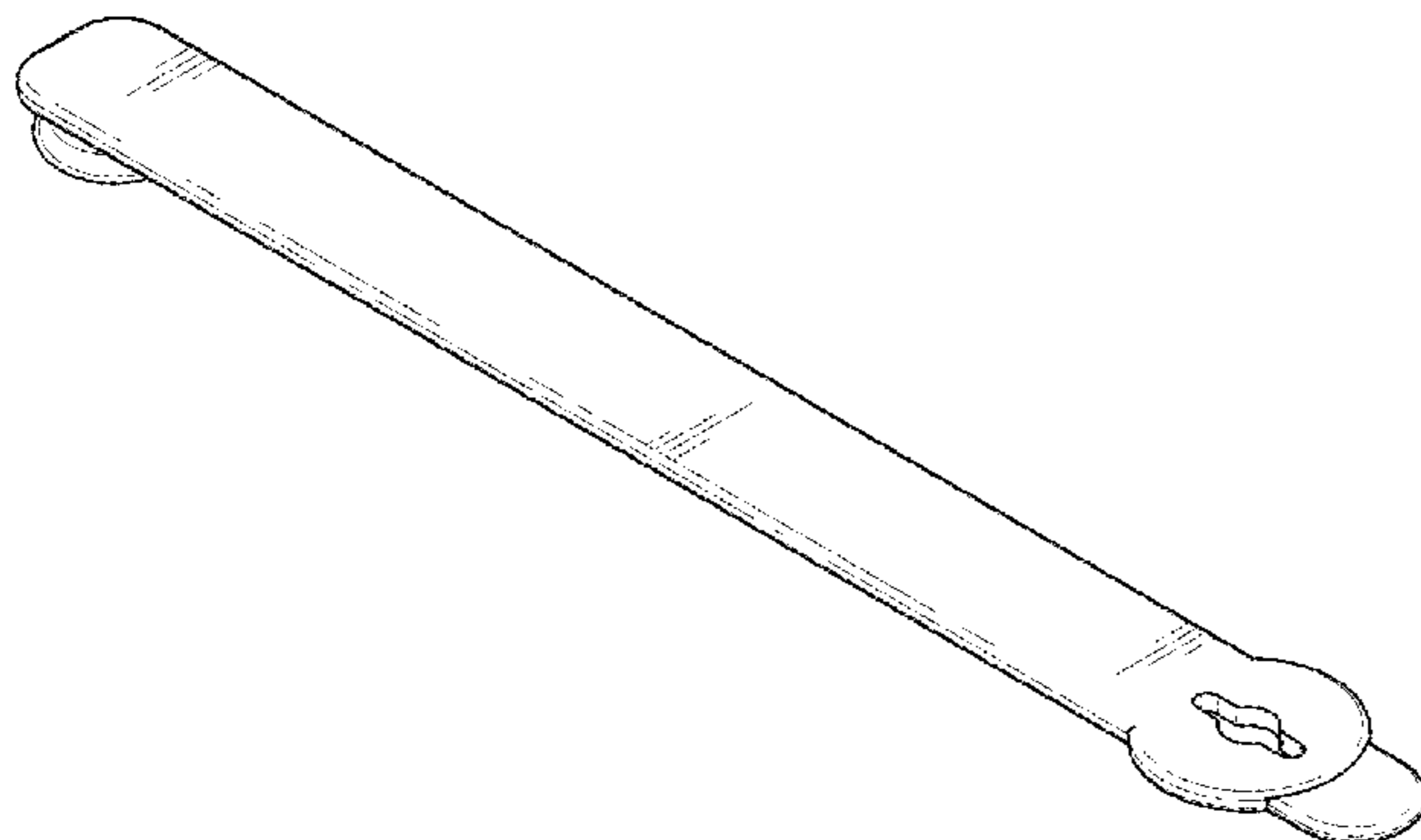
FIG. 5 is a first end profile view of a strap for a portable sound machine.

FIG. 6 is a second end profile view of a strap for a portable sound machine.

FIG. 7 is a bottom plan view of a strap for a portable sound machine; and,

FIG. 8 is a top plan view of a strap for a portable sound machine.

**1 Claim, 2 Drawing Sheets**



(56)

**References Cited**

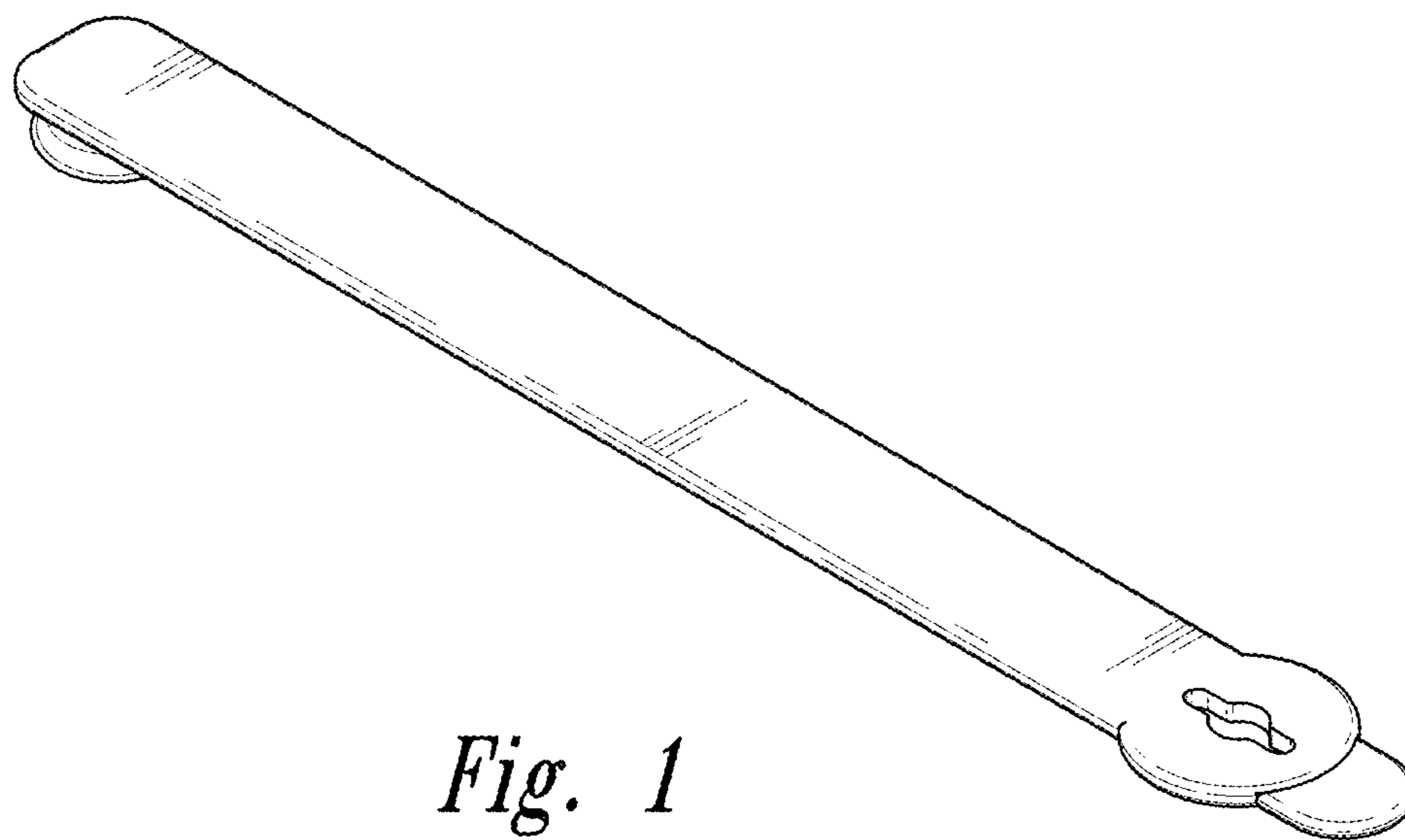
U.S. PATENT DOCUMENTS

D846,630	S	*	4/2019	Kliot .....	D16/339
D853,046	S	*	7/2019	Wako .....	D29/122
D865,970	S	*	11/2019	Haapakoski .....	D24/167
D883,772	S	*	5/2020	Maraia .....	D8/356
D901,832	S	*	11/2020	Relyea .....	D2/706
D912,403	S	*	3/2021	Makris .....	D3/327
D931,011	S	*	9/2021	Recchia .....	D6/601
D966,934	S	*	10/2022	Walker .....	D8/395
D969,591	S	*	11/2022	Oliveros .....	D8/367
D979,948	S	*	3/2023	Zeng .....	D6/315
D982,758	S	*	4/2023	Goo .....	D24/167
D986,048	S	*	5/2023	Wong .....	D8/396

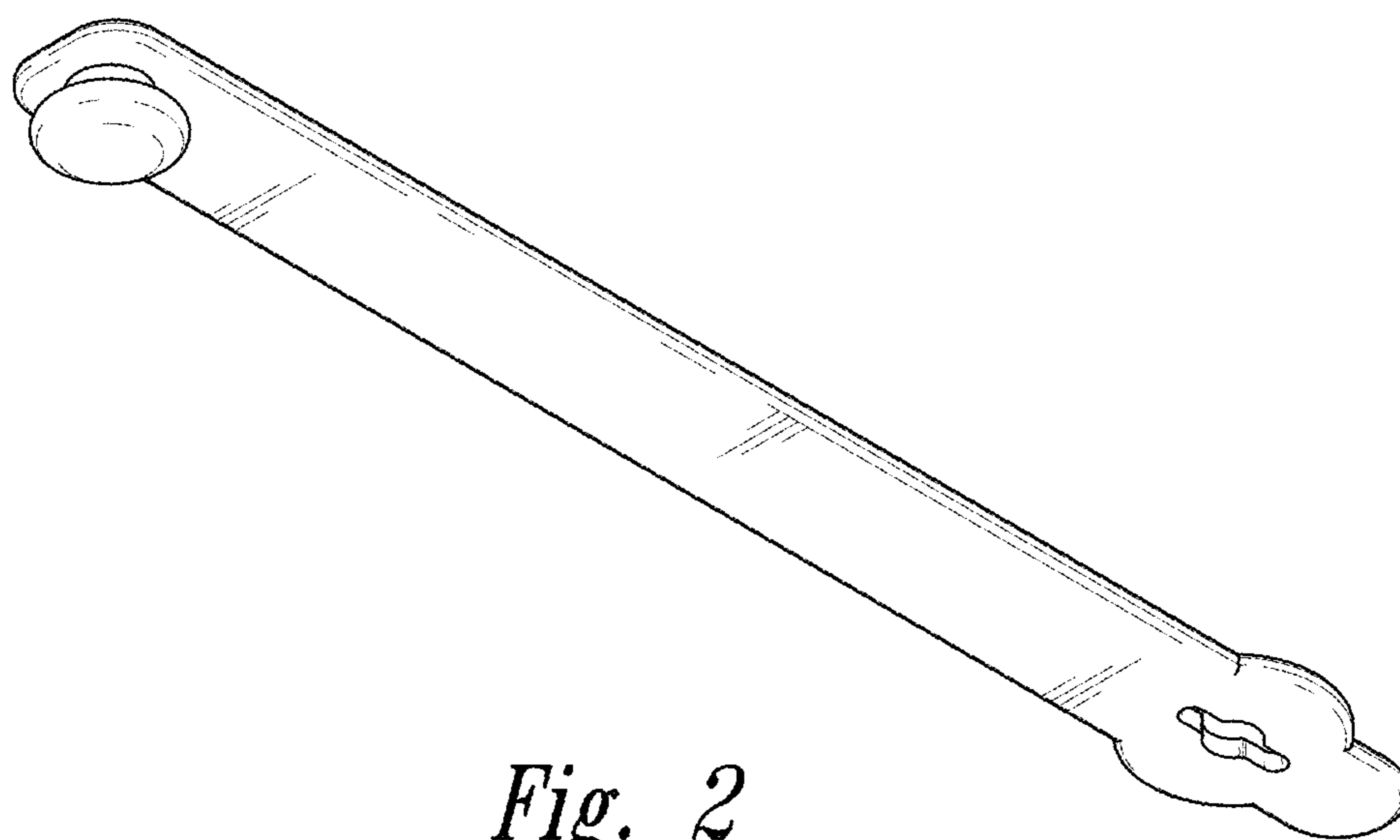
OTHER PUBLICATIONS

Allen—Rubber Straps—No Announcement Date [online], relieved on Apr. 22, 2023, retrieved from internet, <https://allen.bike/products/4-rubber-straps?variant=19723732156475> (Year: 2023).\*

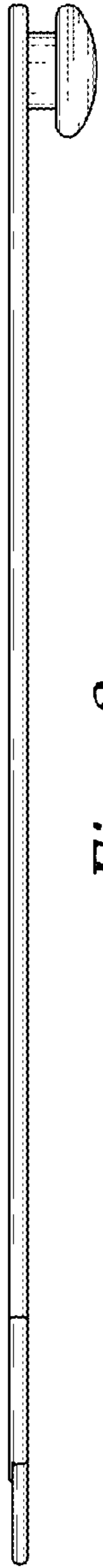
\* cited by examiner



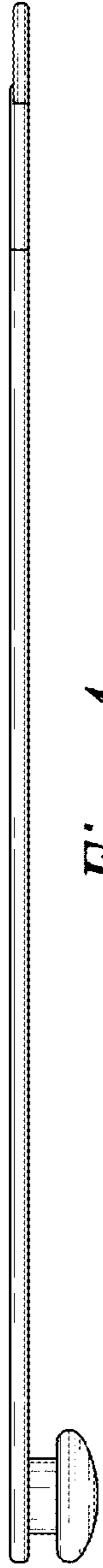
*Fig. 1*



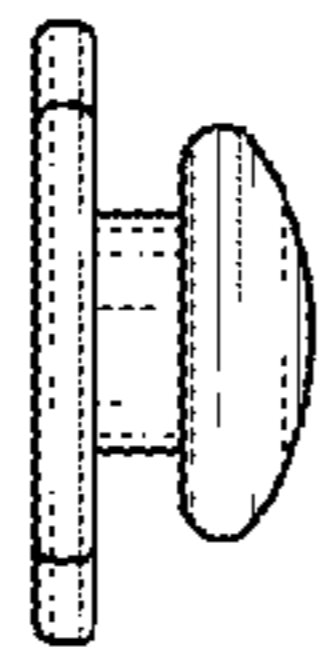
*Fig. 2*



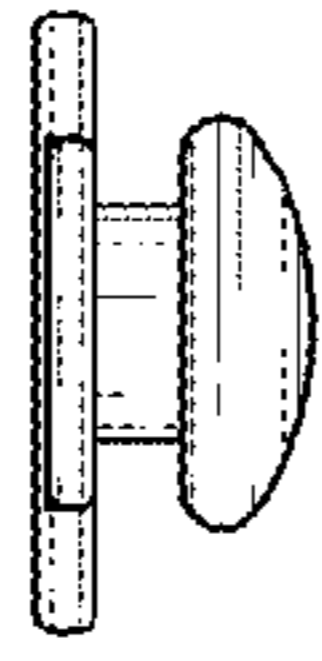
*Fig. 3*



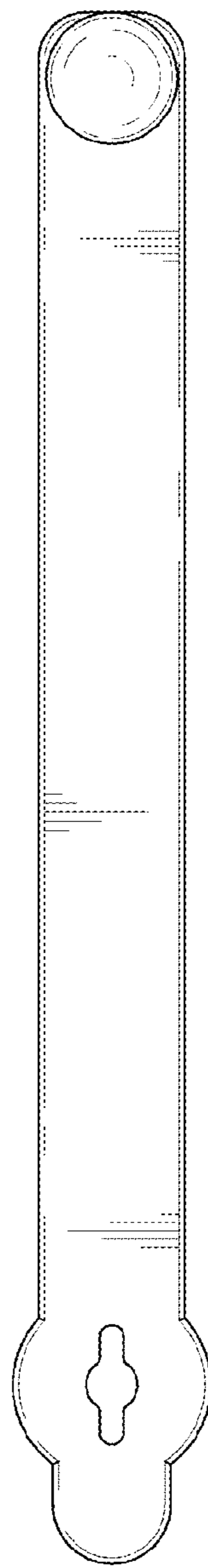
*Fig. 4*



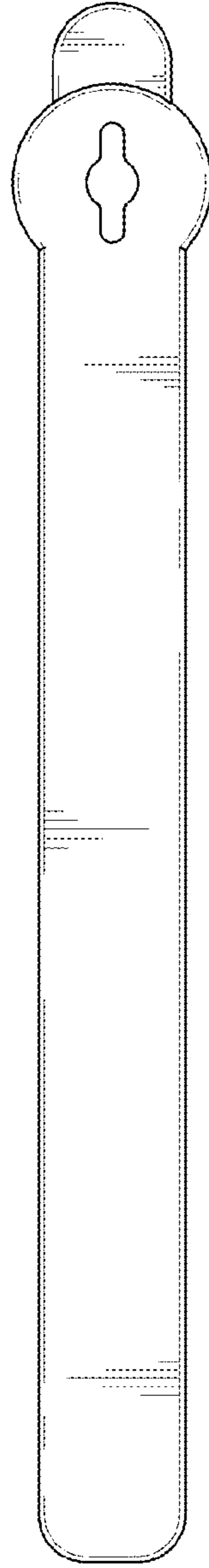
*Fig. 5*



*Fig. 6*



*Fig. 7*



*Fig. 8*