



US00D996058S

(12) **United States Design Patent**  
**Buck**

(10) **Patent No.:** **US D996,058 S**

(45) **Date of Patent:** **\*\* Aug. 22, 2023**

(54) **CONTAINER**

(71) Applicant: **Larry Ray Buck**, Fort Worth, TX (US)

(72) Inventor: **Larry Ray Buck**, Fort Worth, TX (US)

(\*\*) Term: **15 Years**

(21) Appl. No.: **29/784,456**

(22) Filed: **May 19, 2021**

(51) **LOC (14) Cl.** ..... **03-01**

(52) **U.S. Cl.**  
USPC ..... **D3/294; D8/356**

(58) **Field of Classification Search**

USPC ..... D3/20, 200, 201, 203.1, 203.2, 203.3,  
D3/203.5, 203.6, 203.7, 203.8, 206, 207,  
D3/269, 272-276, 279-281, 283, 284,  
D3/288, 291, 294-297, 304, 318-323,  
D3/900-905; D7/601, 602, 609, 614,  
D7/701, 703, 387, 392, 393; D8/300,  
D8/303, 356; D9/700, 721, 756-760,  
D9/904, 414, 420, 434, 435, 499;  
D12/423-426; D13/152, 184; D14/511,  
D14/134, 203.4; D18/3.2; D24/224-227,  
D24/229; D27/172, 186; D99/28  
CPC ..... B25H 3/00; B25H 3/003; B25H 3/006;  
B25H 3/02; B25H 3/021; B25H 3/022;  
B25H 3/023; B65D 67/00; B65D 67/02;  
B65D 69/00; B65D 81/00; B65D 81/02;  
B65D 81/022; B65D 88/00; B65D  
88/005; B65D 88/02; B65D 88/022;  
B65G 1/02

See application file for complete search history.

(56) **References Cited**

**U.S. PATENT DOCUMENTS**

D180,163 S \* 4/1957 Schild ..... D3/279  
2,922,559 A \* 1/1960 Gilfix ..... B65D 81/022  
206/521  
D249,240 S \* 9/1978 Klitzner ..... D3/271.6  
D265,001 S \* 6/1982 Graham ..... D26/104

D282,720 S \* 2/1986 Borg ..... D9/414  
D293,627 S \* 1/1988 Westhusin ..... D3/288  
D331,317 S \* 12/1992 Tsai ..... D3/281  
D343,058 S \* 1/1994 Allegre ..... D28/73  
D368,394 S \* 4/1996 Rogers ..... D6/661

(Continued)

**FOREIGN PATENT DOCUMENTS**

WO WOD010562-001 \* 3/1988  
WO WOD058170-003 \* 8/2001

(Continued)

**OTHER PUBLICATIONS**

Fairfield Garden Hose Bin, available at riverbendhome.com, earliest customer review date Nov. 15, 2020 [online], site visited Jan. 9, 2023, available from the internet URL: <https://riverbendhome.com/products/mayne-5858-w-fairfield-garden-hose-bin-sc50201-548591> (Year: 2020).\*

(Continued)

*Primary Examiner* — April Rivas  
*Assistant Examiner* — Jillian Mazzola  
(74) *Attorney, Agent, or Firm* — David W. Carstens;  
Carstens, Allen & Gourley, LLP

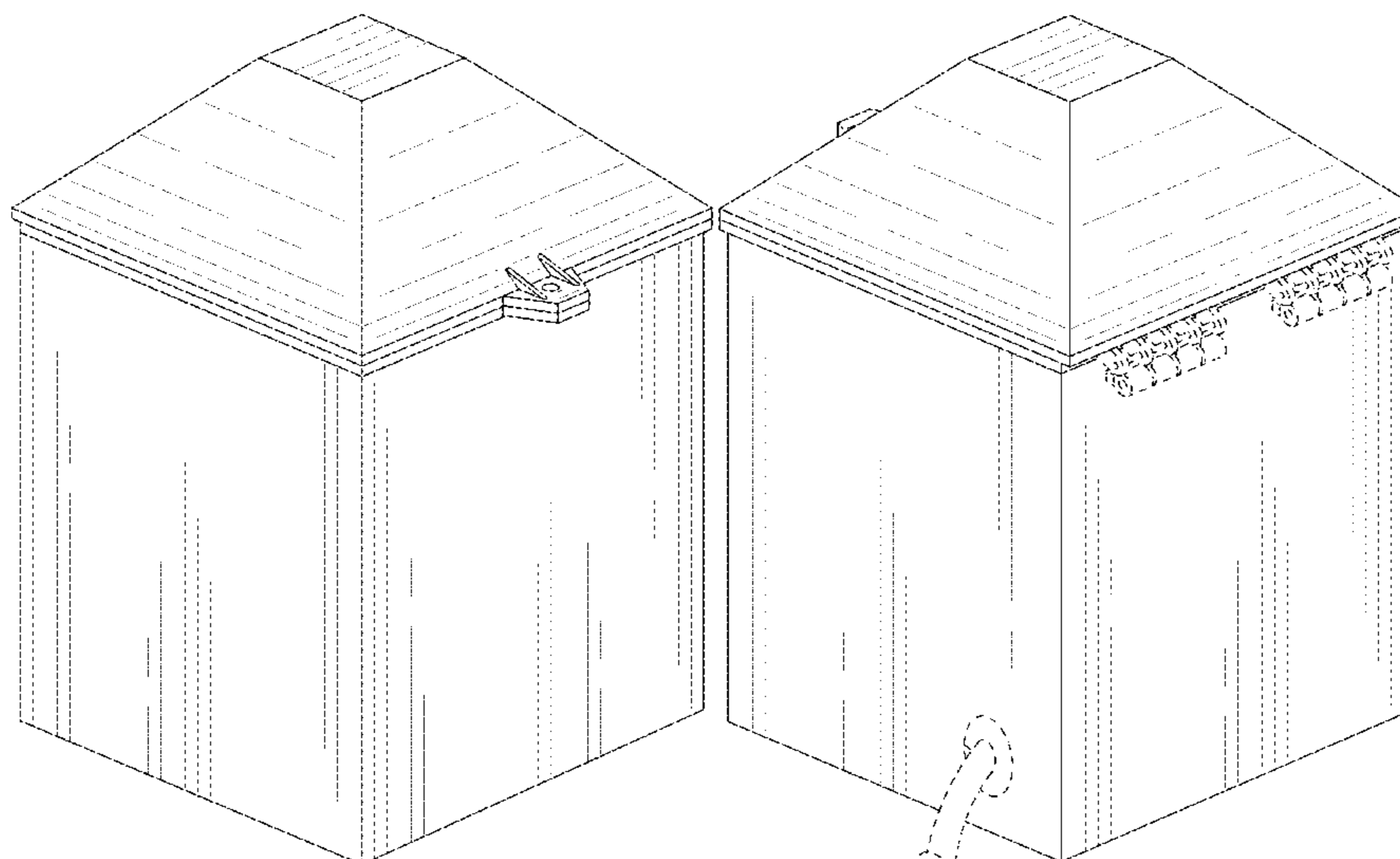
(57) **CLAIM**

The ornamental design for a container, as shown and described.

**DESCRIPTION**

FIG. 1 is a front upper perspective view of a container showing the new design;  
FIG. 2 is a rear upper perspective view of the container;  
FIG. 3 is a side view of the container;  
FIG. 4 is a top view of the container; and,  
FIG. 5 is a rear view of the container.  
The broken lines shown in the drawings depict environmental subject matter that forms no part of the claimed design.

**1 Claim, 5 Drawing Sheets**



(56)

References Cited

OTHER PUBLICATIONS

U.S. PATENT DOCUMENTS

D421,334 S	*	3/2000	Carter	.....	D3/905
D425,188 S	*	5/2000	Garcia	.....	D7/387
D434,736 S	*	12/2000	Jacks	.....	D13/184
D553,881 S	*	10/2007	Robinson	.....	D6/661.3
D599,548 S	*	9/2009	Bech	.....	D3/294
D602,253 S	*	10/2009	Rees	.....	D3/289
D610,343 S	*	2/2010	Mayer	.....	D6/524
D622,959 S	*	9/2010	Zalewski	.....	D3/273
D711,103 S	*	8/2014	Wu	.....	D3/277
D766,578 S	*	9/2016	Slimane	.....	D3/322
D801,805 S	*	11/2017	Pensler	.....	D9/425
D812,542 S	*	3/2018	LaPant	.....	D12/218
D867,758 S	*	11/2019	Jerabek	.....	D3/295
D878,758 S	*	3/2020	Golden	.....	D3/901

FOREIGN PATENT DOCUMENTS

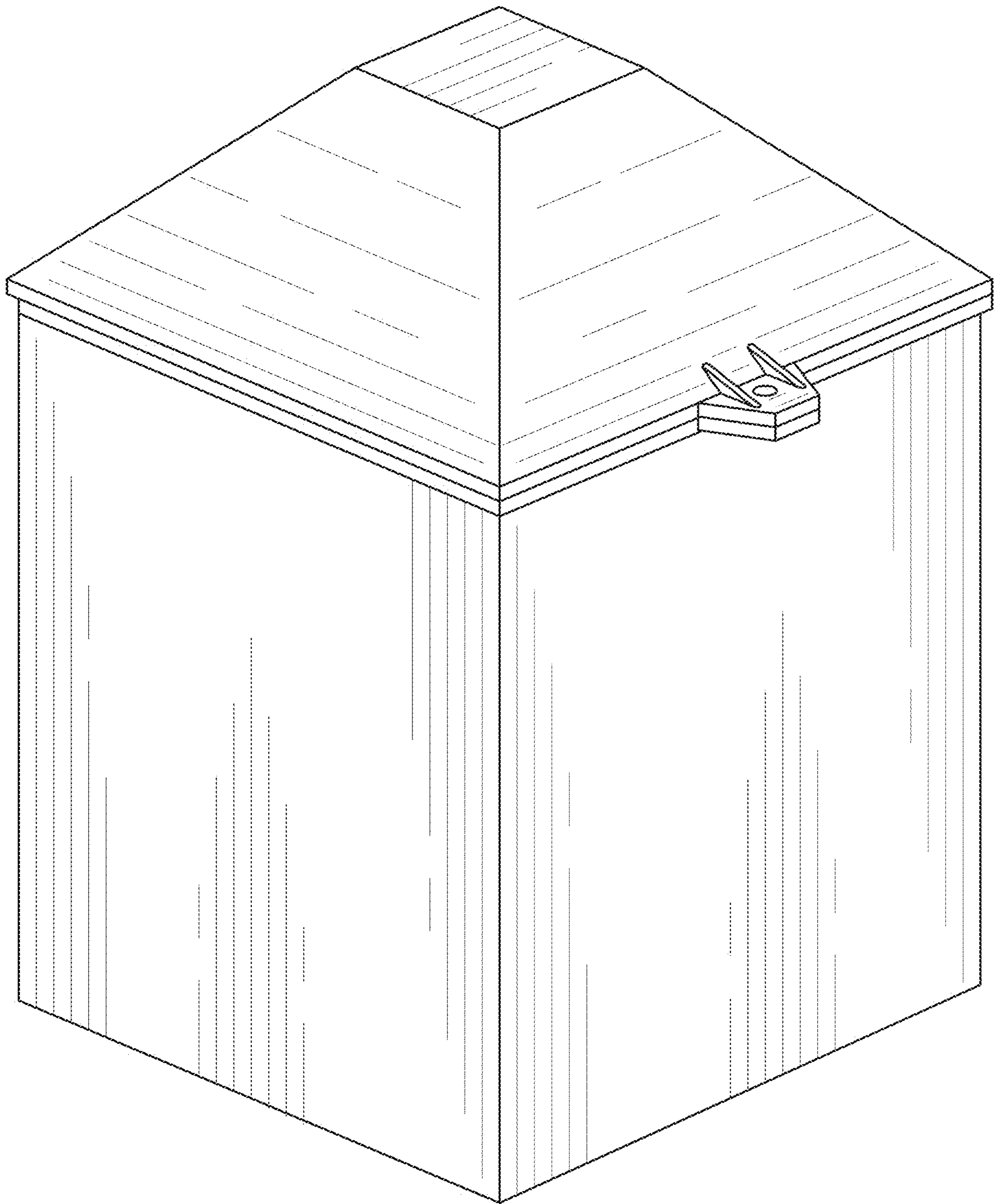
WO	WOD065922-010	*	5/2004
WO	WOD209448-004	*	2/2020

Nuvo Iron Pyramid Post Cap, available at amazon.com, earliest date available Apr. 24, 2013 [online], site visited Jan. 9, 2023, available from the internet URL: <https://www.amazon.com/Nuvo-Iron-Decorative-Pyramid-Aluminium/dp/B00CIEG9WO?th=1> (Year: 2013).\*

Rosseto SA123 Clear Acrylic Pyramid Cover with Flip Door, available at lionsdeal.com, date not available [online], site visited Jan. 9, 2023, available from the internet URL: <https://www.lionsdeal.com/large-pyramid-lid-clear-acrylic-with-flip-up-door-for-square-surfaces.html> (Year: 2023).\*

Pyramid Lid 48 Gallon Recycle Bin, available at wayfair.com, earliest customer review date Sep. 13, 2021 [online], site visited Jan. 9, 2023, available from the internet URL: <https://www.wayfair.com/Iowa-Rotocast-Plastics--Pyramid-Lid-48-Gallon-Recycle-Bin-3201076-L500-K~IOAR1007.html?> (Year: 2021).\*

\* cited by examiner



**FIG. 1**

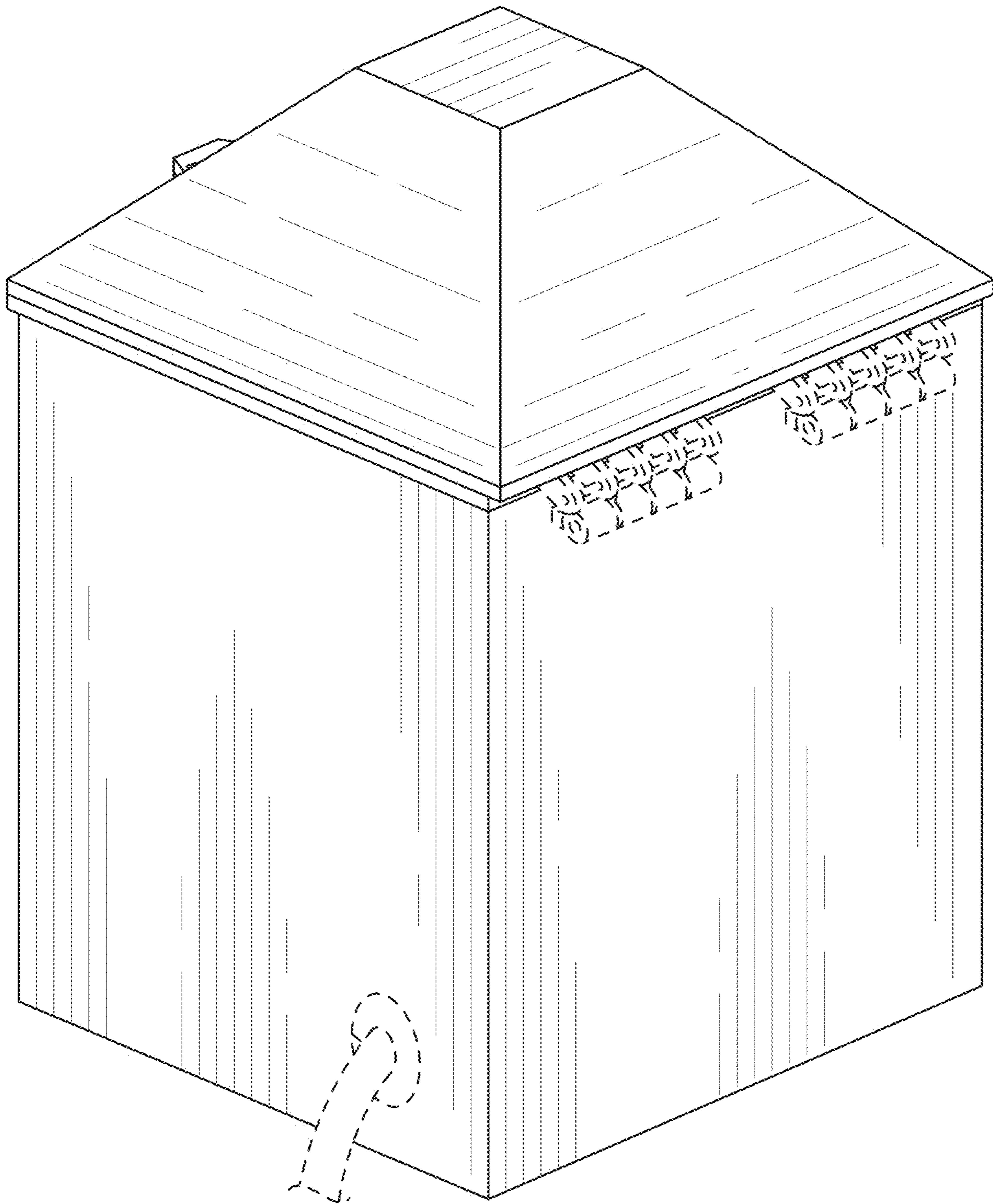
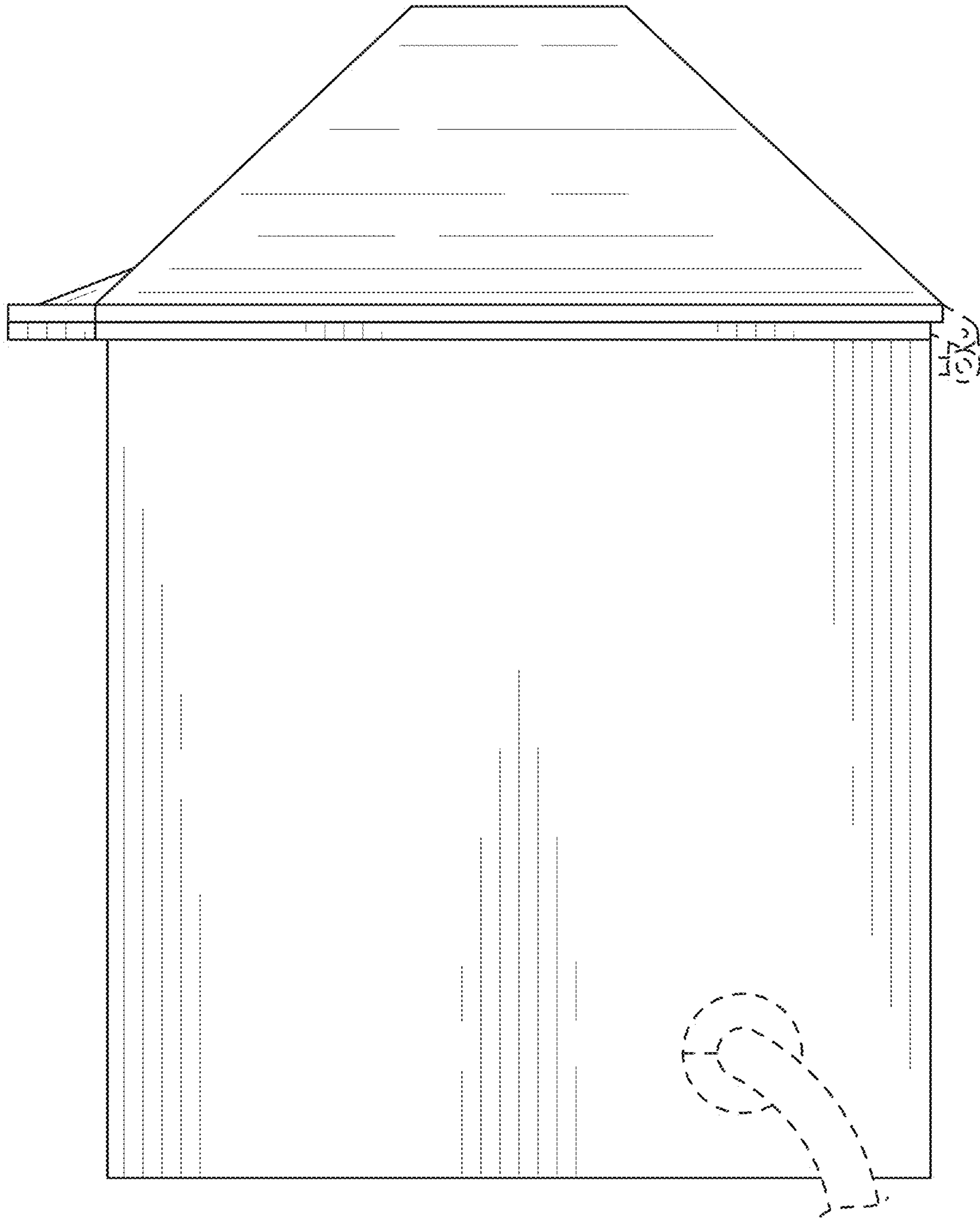


FIG. 2



**FIG. 3**

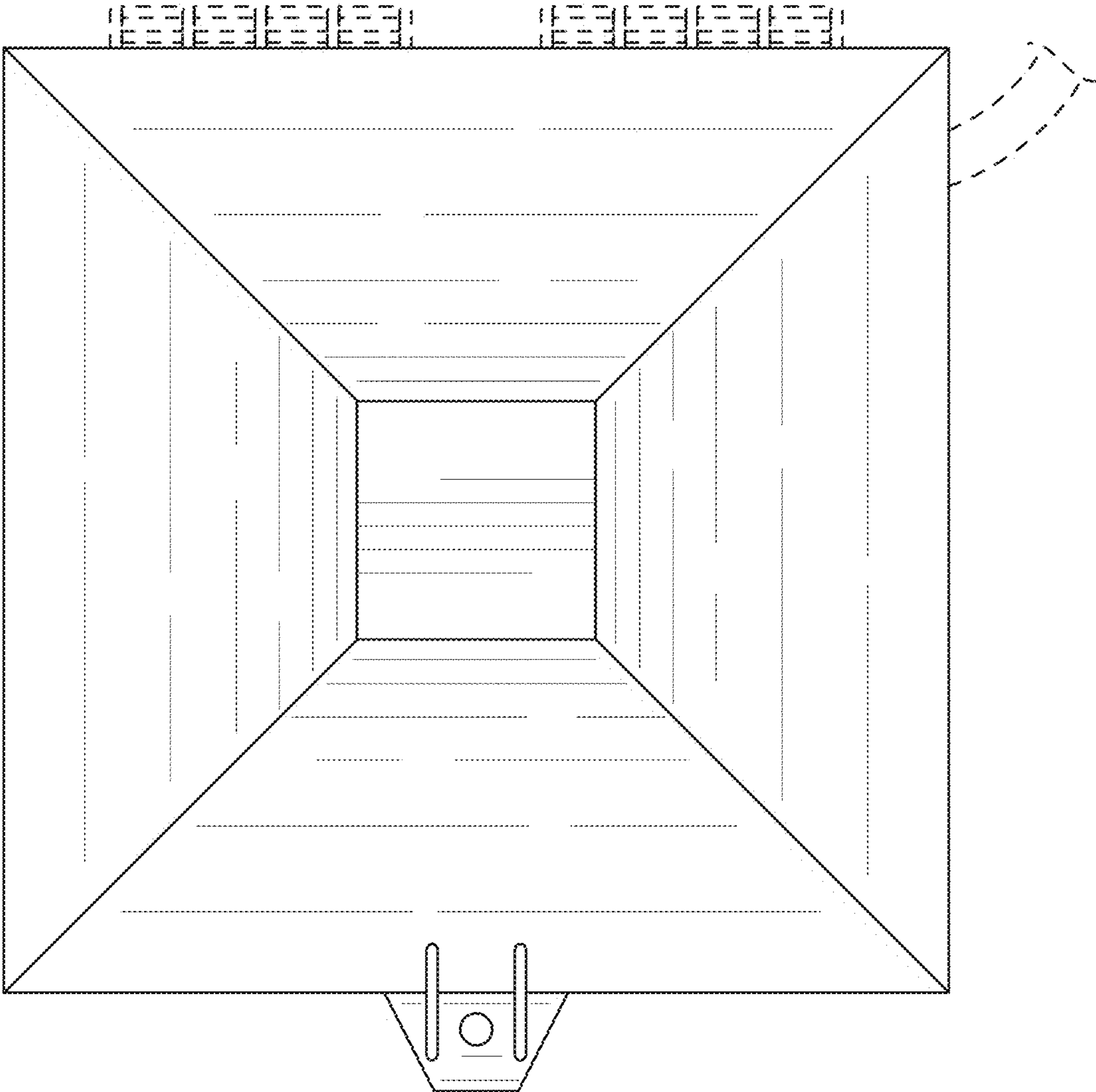
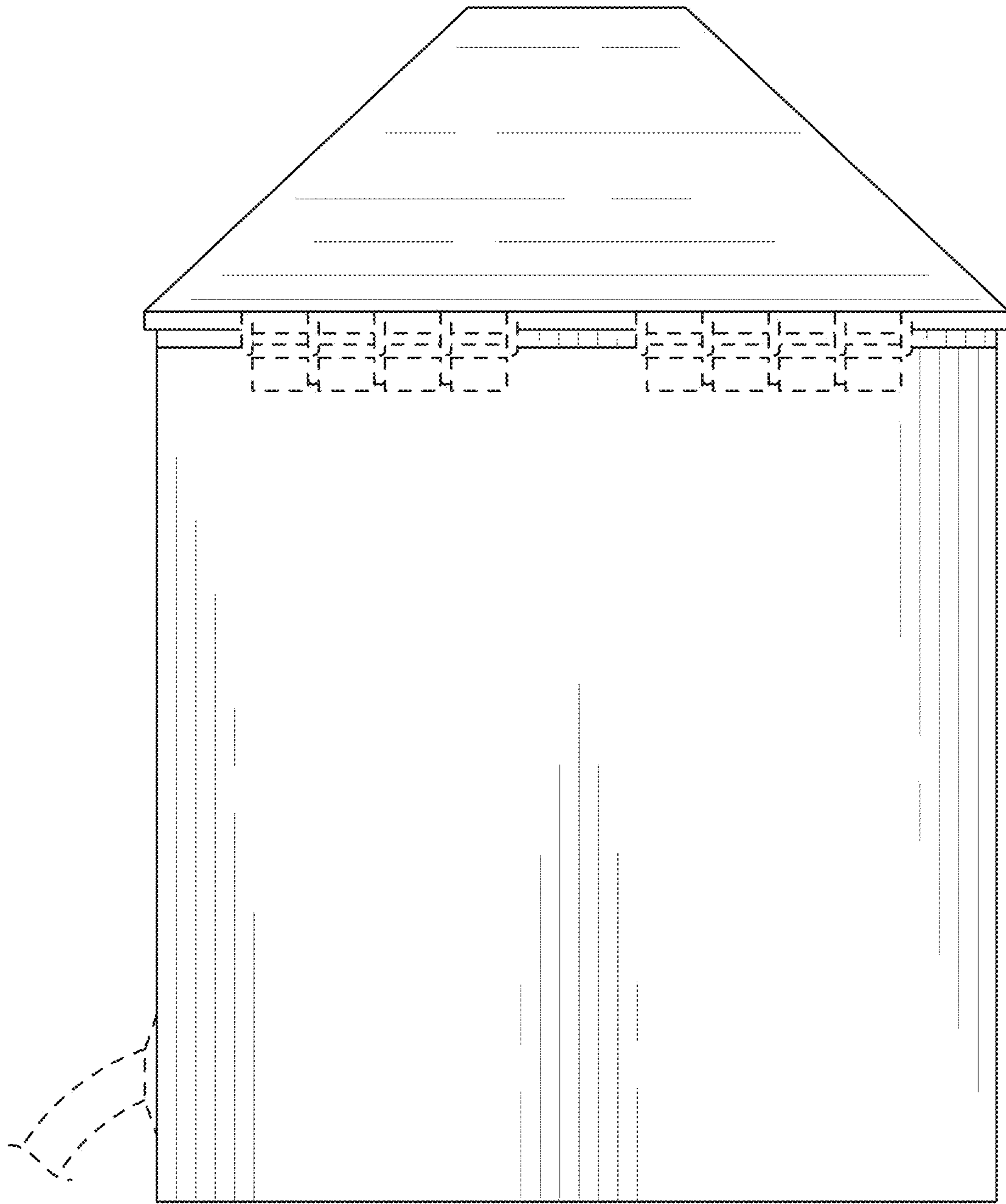


FIG. 4



**FIG. 5**