



US00D995802S

(12) **United States Design Patent**
Gamelsky et al.

(10) **Patent No.:** **US D995,802 S**

(45) **Date of Patent:** **** Aug. 15, 2023**

(54) **CRYOGENIC DEVICE**

(71) Applicant: **Pacira CryoTech, Inc.**, Parsippany, NJ (US)

(72) Inventors: **Jeffrey N. Gamelsky**, Palo Alto, CA (US); **Pierre-Andre Mugnier**, Moss Beach, CA (US); **Eric T. Johansson**, Dublin, CA (US); **Andrew Huffmaster**, Fremont, CA (US)

(73) Assignee: **Pacira CryoTech, Inc.**, Parsippany, NJ (US)

(**) Term: **15 Years**

(21) Appl. No.: **29/780,705**

(22) Filed: **Apr. 26, 2021**

(51) **LOC (14) Cl.** **24-01**

(52) **U.S. Cl.**
USPC **D24/200**

(58) **Field of Classification Search**

USPC D24/133, 146–147, 200, 214–215, 107, D24/127, 186, 196, 199, 209–211, D24/194–195; D9/434–435, 439, 445, D9/544, 723, 724, 729; D4/122–123; D3/29; D8/300, 310, 322; D7/391, 392, D7/398, 900; D28/7, 76
CPC A61B 5/441; A61B 5/442; A61B 5/443; A61B 5/444; A61B 5/445; A61B 18/203; A61B 5/0008; A61B 5/01; A61B 1/227; A61N 5/0616; A61N 5/062; A61N 5/0613; A61N 2005/0644; A61F 7/007; A61F 2007/0086; A61F 2007/0087; G01K 5/22; G01K 13/00; A61M 35/003; A61M 35/006; A61M 39/00; A61M 39/10; A61M 39/20

See application file for complete search history.

(56) **References Cited**

U.S. PATENT DOCUMENTS

D588,696 S * 3/2009 Mantle D24/144
D606,947 S * 12/2009 Caprio D13/168

D703,017 S * 4/2014 Concari B25B 21/00 D8/61
D747,801 S * 1/2016 Kwon D24/133
D801,431 S * 10/2017 Kao D19/177
D802,769 S * 11/2017 Robertson D24/146
D813,611 S * 3/2018 Huang D7/605
D820,972 S * 6/2018 Klever D24/108
D861,864 S * 10/2019 Amano D24/133

(Continued)

OTHER PUBLICATIONS

Cold Laser Therapy Device, first available Jun. 3, 2020, amazon.com, [online], [site visited Mar. 9, 2023], Available from internet URL: <https://www.amazon.com/Reliever-Shoulder-Infrared-Therapy-Handheld/dp/B08CH9QGQW> (Year: 2020).*

(Continued)

Primary Examiner — Samantha Q Lawrence

Assistant Examiner — Holly M Rodriguez

(74) *Attorney, Agent, or Firm* — Kilpatrick Townsend & Stockton LLP

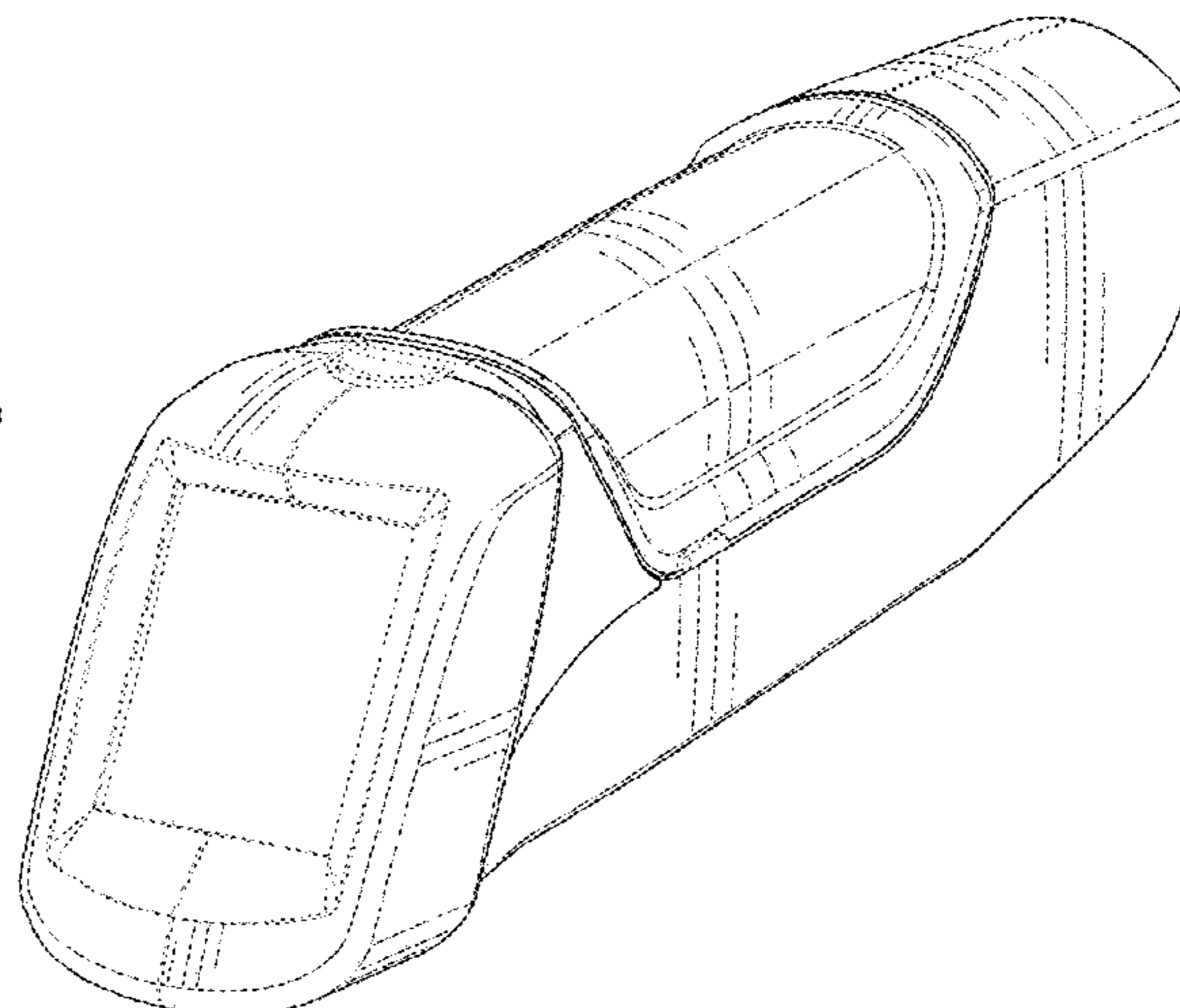
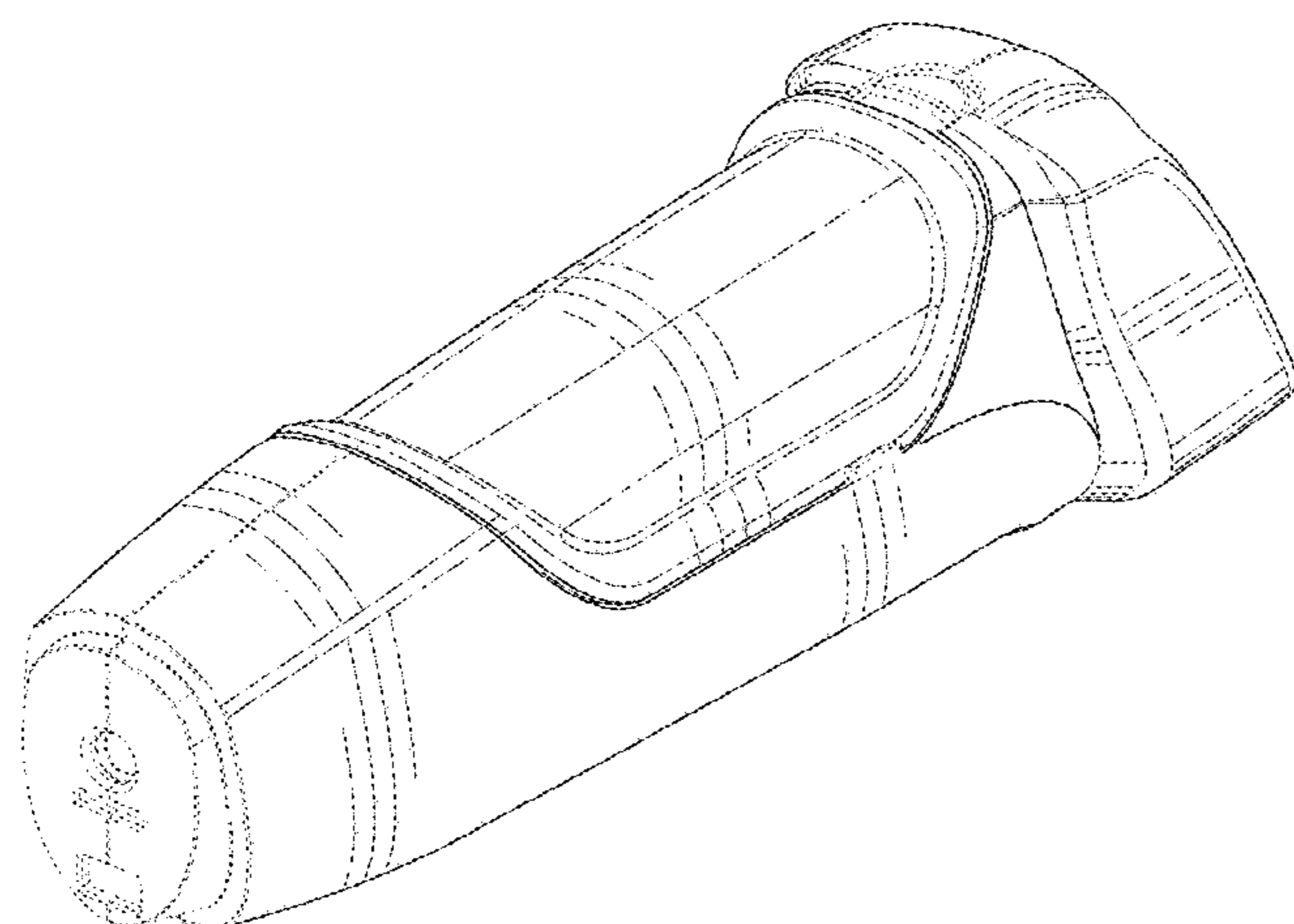
(57) **CLAIM**

The ornamental design for a cryogenic device, as shown and described.

DESCRIPTION

FIG. 1 is a front isometric view of a cryogenic device. FIG. 2 is a back isometric view of the device of FIG. 1. FIG. 3 is a front view of the device of FIG. 1. FIG. 4 is a back view of the device of FIG. 1. FIG. 5 is a left side view of the device of FIG. 1. FIG. 6 is a right side view of the device of FIG. 1. FIG. 7 is a top view of the device of FIG. 1; and, FIG. 8 is a bottom view of the device of FIG. 1. The broken lines indicate unclaimed portions of the cryogenic device that form no part of the claimed design.

1 Claim, 7 Drawing Sheets



(56)

References Cited

U.S. PATENT DOCUMENTS

D884,875 S * 5/2020 Eker D24/107
D893,021 S * 8/2020 Dyer D24/113
D905,234 S * 12/2020 Nock D24/127
2020/0163576 A1* 5/2020 Dietz A61B 5/053
2021/0157472 A1* 5/2021 Johansson A61B 18/02

OTHER PUBLICATIONS

Iovera^o, pacira.com, [online], [site visited Mar. 9, 2023], Available from internet URL: <https://www.pacira.com/products/Iovera> (Year: 2023).*

Avant LZ30-ReVi Cold Laser, coldlasers.org, [online], [site visited Mar. 6, 2023], Available from internet URL: https://www.coldlasers.org/avant/revi/?gclid=EAIaIQobChMI2NGesPPP_QIVx_7jBx2zRAqtEAsYBCABEgIY_vD_BwE (Year: 2023).*

* cited by examiner

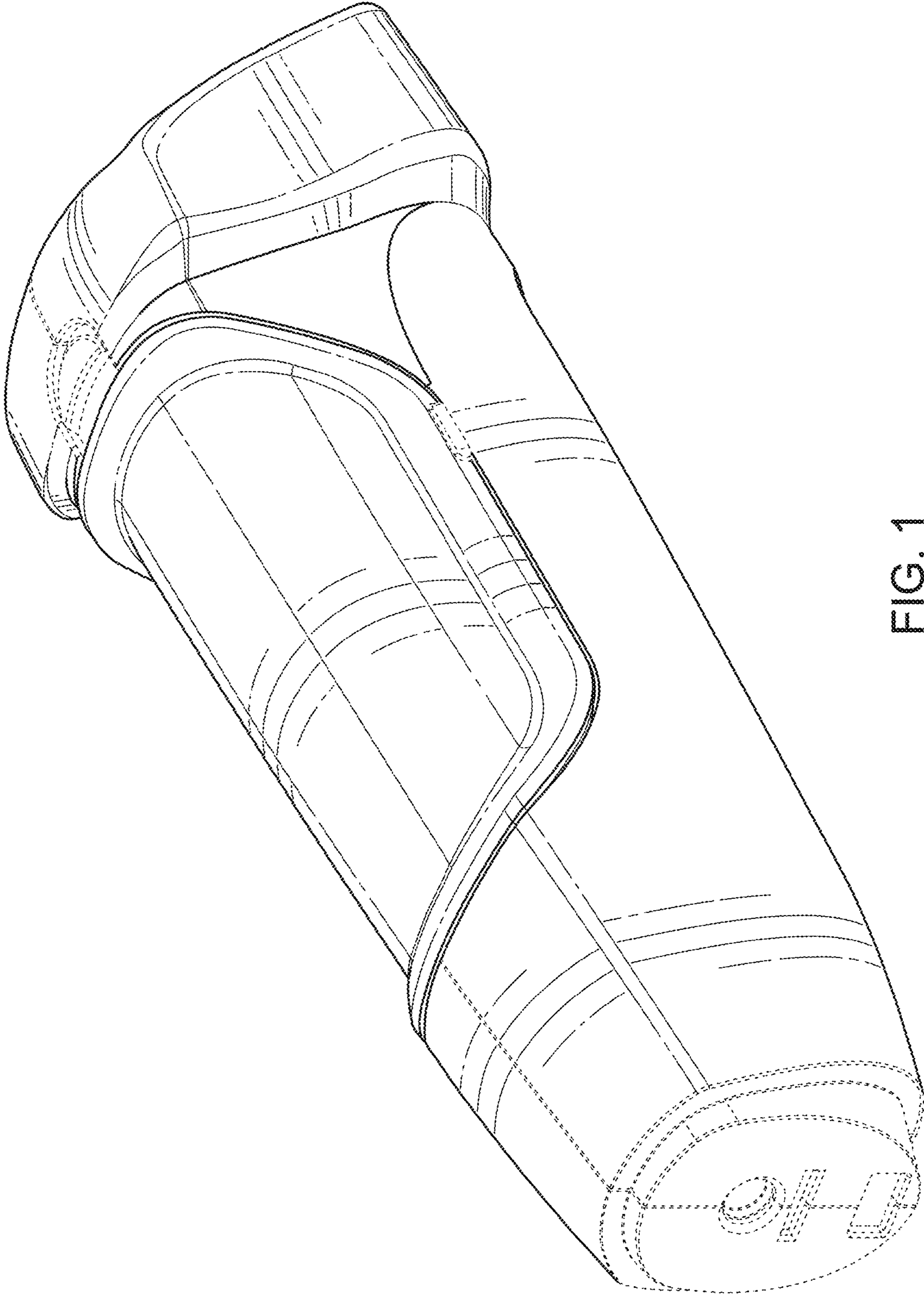


FIG. 1

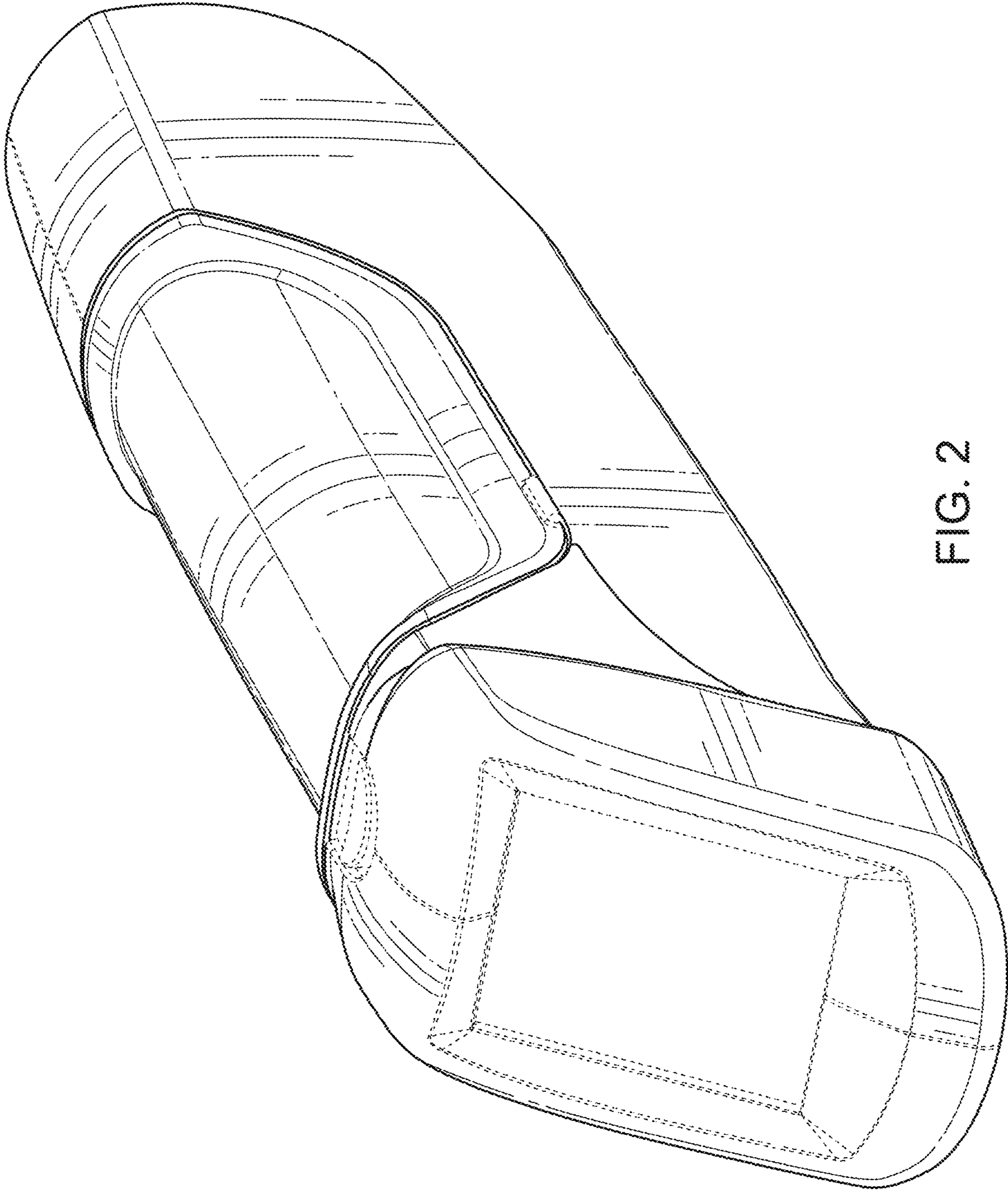


FIG. 2

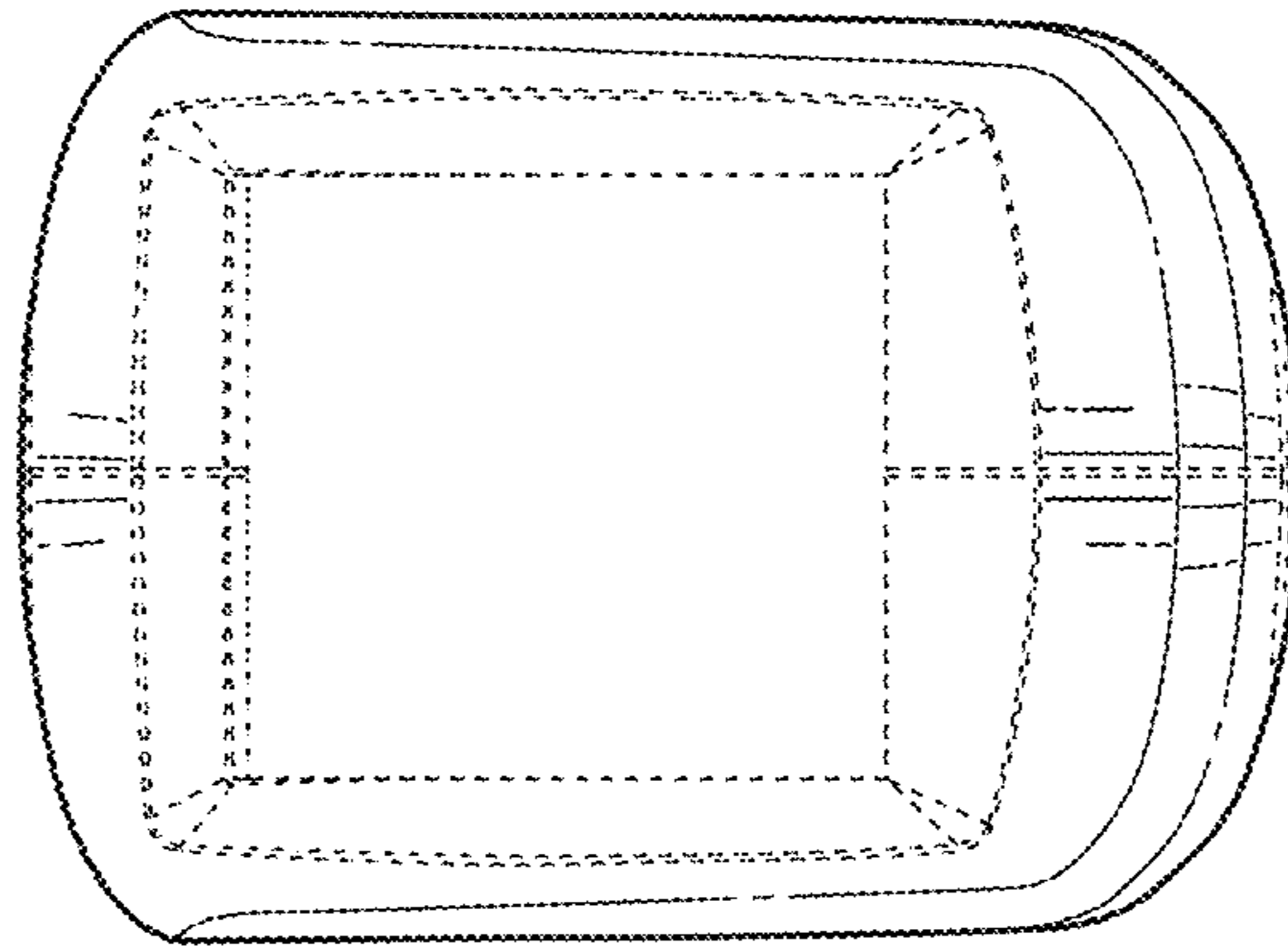


FIG. 4

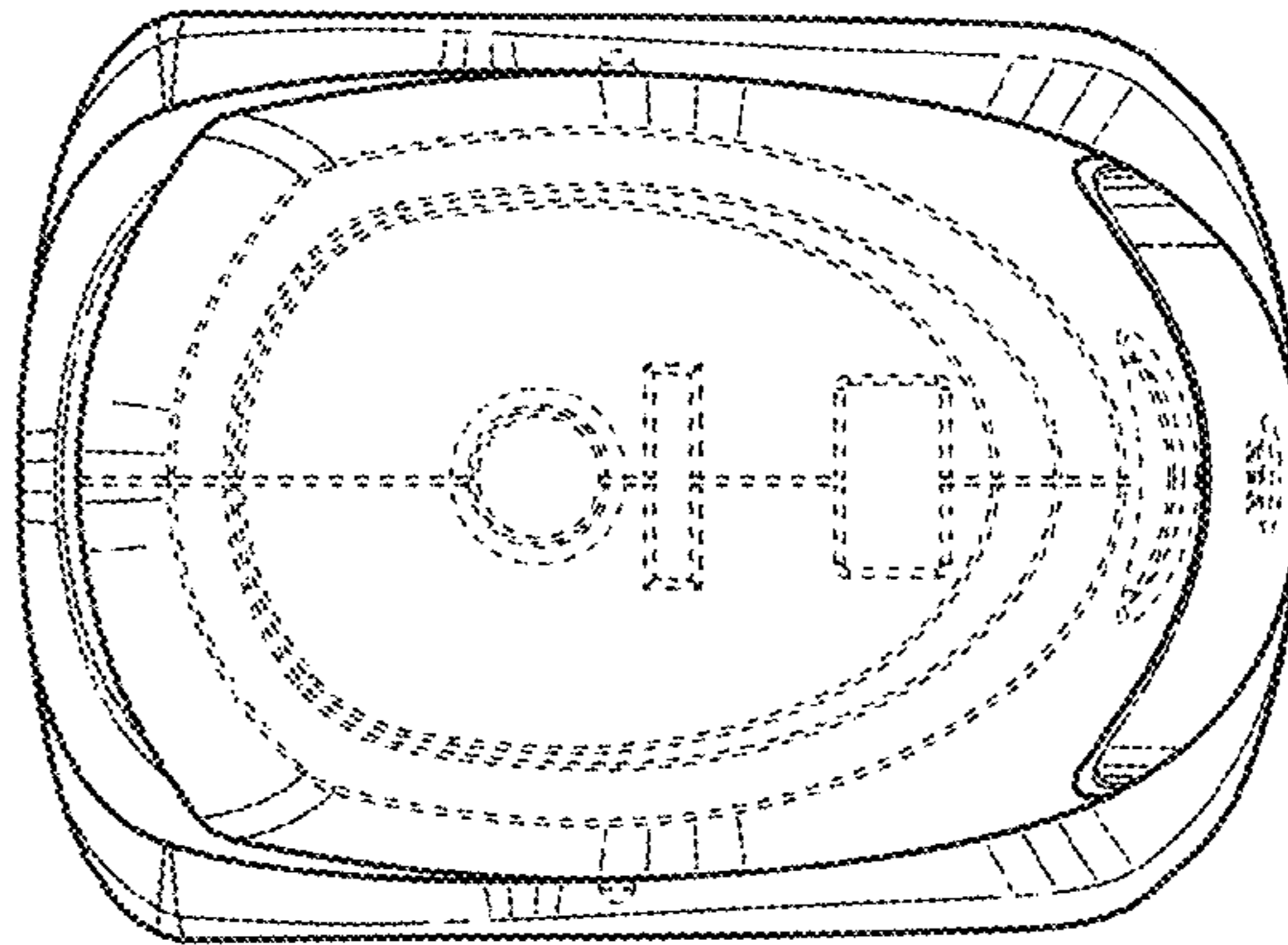


FIG. 3

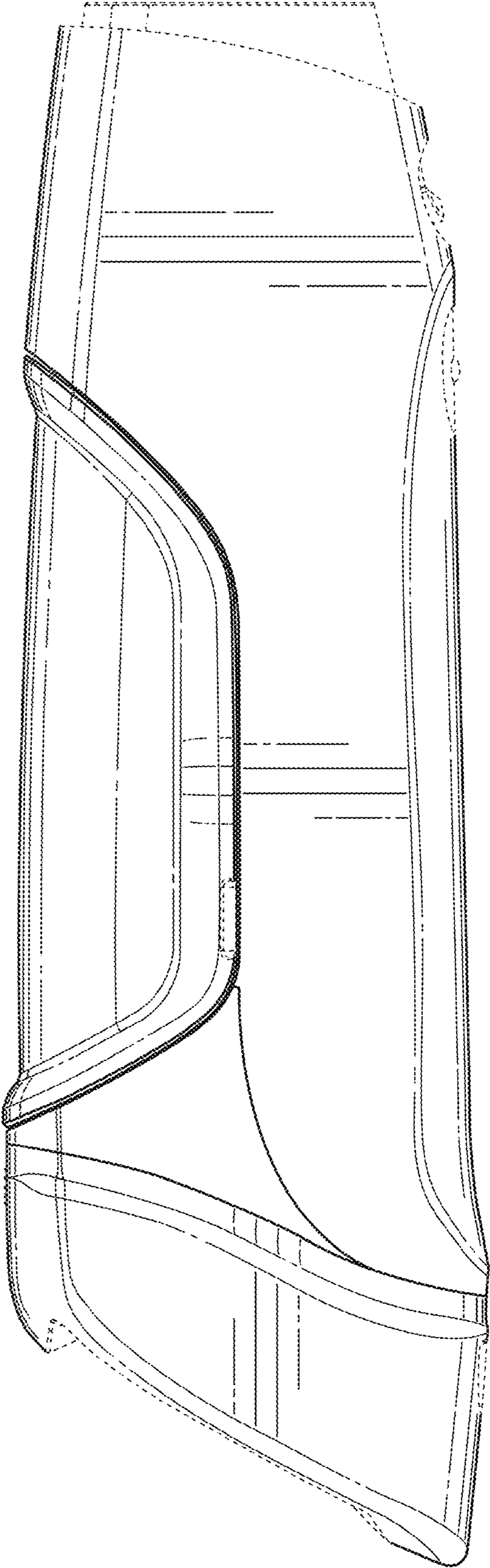


FIG. 5

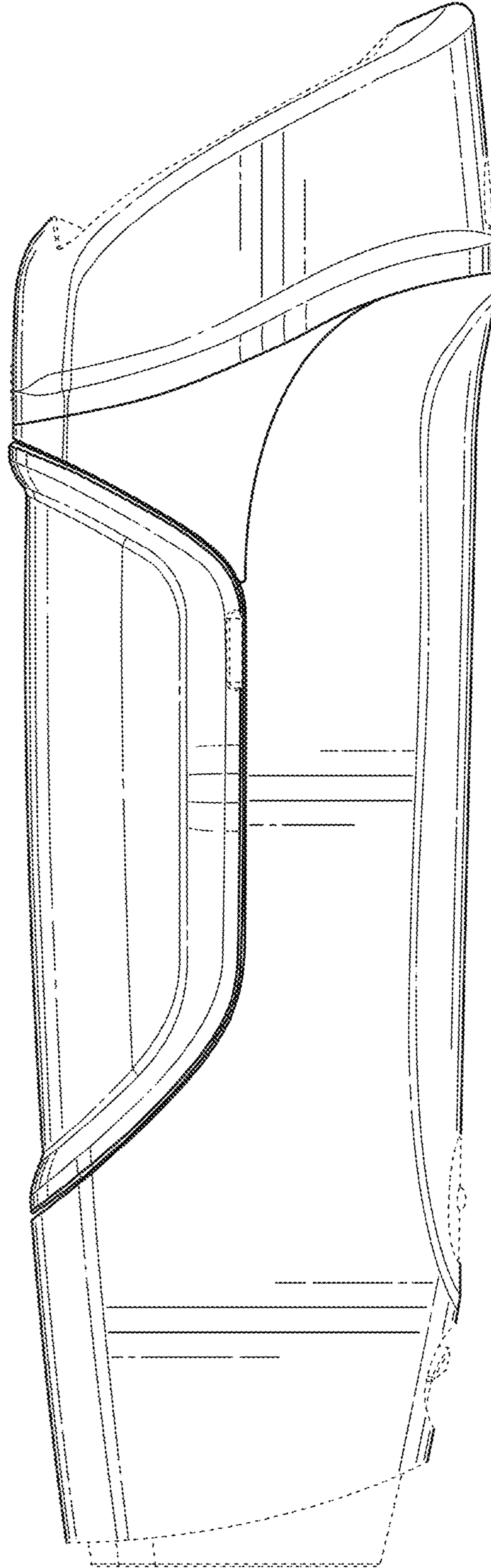


FIG. 6

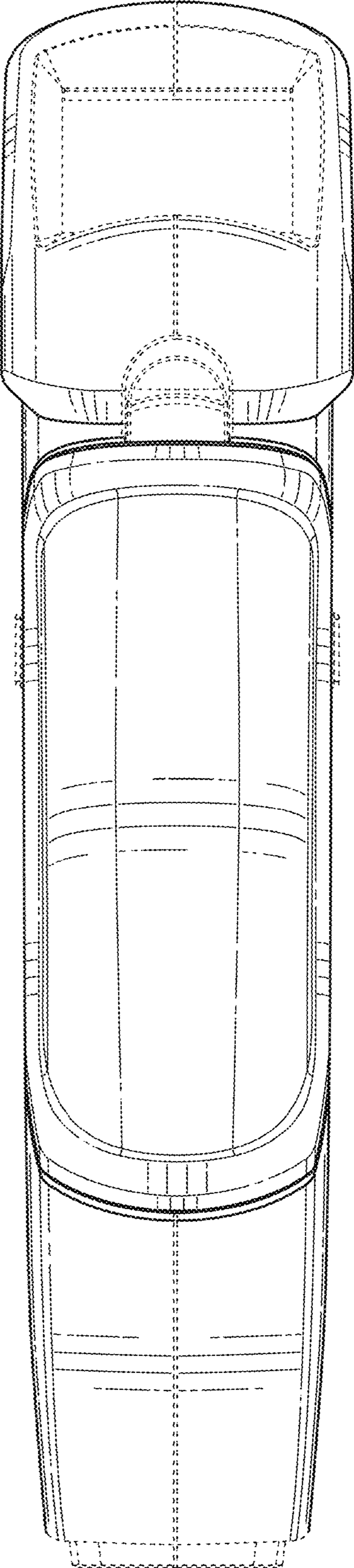


FIG. 7

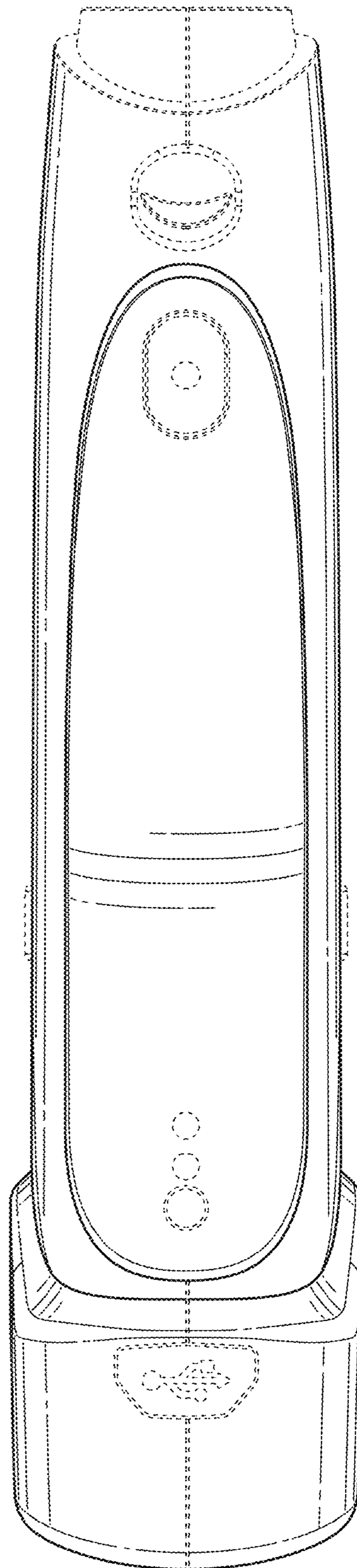


FIG. 8