



US00D995714S

(12) **United States Design Patent** (10) **Patent No.:** **US D995,714 S**  
**Thompson et al.** (45) **Date of Patent:** **\*\* Aug. 15, 2023**

(54) **AQUEOUS OZONE GENERATOR CARTRIDGE**  
(71) Applicant: **3Oe Scientific, LLC**, Carmel, IN (US)  
(72) Inventors: **Christopher Thompson**, Dallas, TX (US); **Thomas F. Foust**, Carmel, IN (US); **Jake Vail**, Lake Zurich, IL (US)  
(\*\*) Term: **15 Years**  
(21) Appl. No.: **29/814,772**  
(22) Filed: **Nov. 9, 2021**  
(51) **LOC (14) Cl.** ..... **23-01**  
(52) **U.S. Cl.**  
USPC ..... **D23/207**  
(58) **Field of Classification Search**  
USPC ..... D6/512, 524, 527, 540, 542, 543, 544, D6/545; D23/207, 208, 366; D24/217  
CPC ... A61L 2/10; A61L 2/183; A61L 2/24; A61L 2/26; A61L 2202/10; A61L 2202/11; A61L 2202/16; A61L 2202/23; A61L 2202/24; A61L 2202/25; A61L 2202/122  
See application file for complete search history.

(56) **References Cited**  
U.S. PATENT DOCUMENTS  
7,713,336 B2 \* 5/2010 Hengsperger ..... B01D 53/261 96/117.5  
D728,733 S \* 5/2015 Zoller ..... D23/207  
D752,178 S \* 3/2016 Mjelde ..... D23/208  
D767,711 S \* 9/2016 Anumalasetty ..... D23/207  
9,498,090 B2 \* 11/2016 Barclay ..... A47K 5/12  
D830,529 S \* 10/2018 Arinsmier ..... D23/366  
D899,560 S \* 10/2020 Kawasaki ..... D23/207  
D937,967 S \* 12/2021 Vogtner ..... D23/207  
11,382,995 B2 \* 7/2022 Foust ..... A61L 2/183  
D972,070 S \* 12/2022 Cheng ..... D23/207  
11,534,514 B2 \* 12/2022 Foust ..... A61L 2/0094  
2013/0206654 A1 \* 8/2013 Lutz ..... C02F 1/4672 210/85  
2019/0025273 A1 \* 1/2019 Brondum ..... G01N 27/07

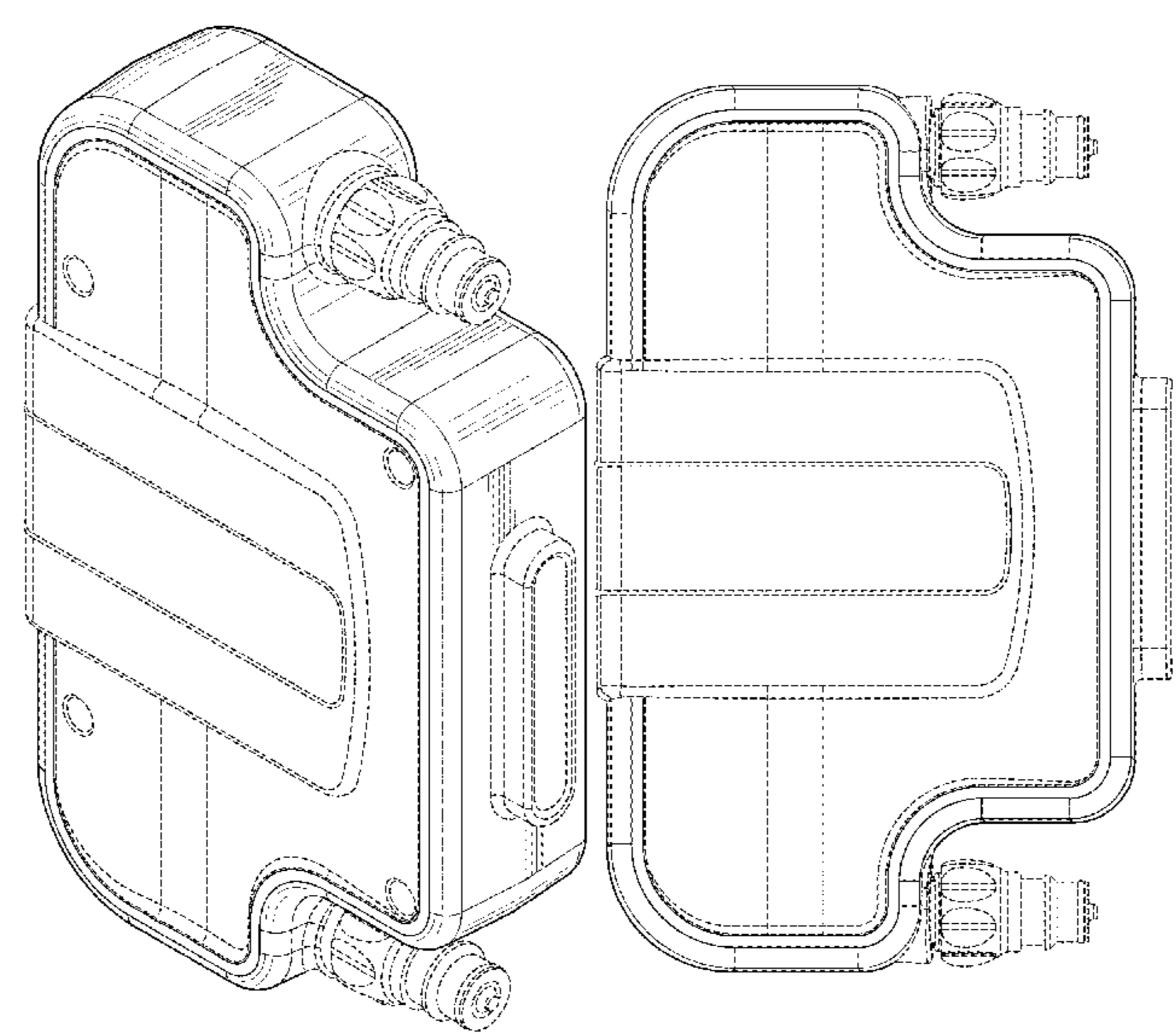
**OTHER PUBLICATIONS**  
Weipro ET50 Ozone Ozonizer, Dec. 26, 2016, Amazon, site visited Apr. 20, 2023: <https://www.amazon.ca/dp/B01N1HIC7P/> (Year: 2016).  
Ozone Generator, May 24, 2021, Amazon, site visited Apr. 20, 2023: <https://www.amazon.ca/dp/B095PGXYC1/> (Year: 2021).  
Gojo FMX-12 Luxury Foam Handwash, Apr. 28, 2020, Amazon, site visited Apr. 20, 2023: <https://www.amazon.com/dp/B087RSYRW1/> (Year: 2020).\*

\* cited by examiner  
*Primary Examiner* — Jack Reickel  
*Assistant Examiner* — Bobby W Jones, II  
(74) *Attorney, Agent, or Firm* — Innovation Law Office; Dennis S. Schell

(57) **CLAIM**  
The ornamental design for an aqueous ozone generator cartridge, substantially as shown and described.

**DESCRIPTION**  
FIG. 1 is a front isometric view of the new design; FIG. 2 is a rear isometric view of the design of FIG. 1; FIG. 3 is a right side view of the design of FIG. 1; FIG. 4 is a front view of the design of FIG. 1; FIG. 5 is a back view of the design of FIG. 1; and, FIG. 6 is a top view of the design of FIG. 1.  
The design consists of the features of shape, ornamentation, and configuration of the article as shown in the drawings. The broken lines shown in the drawing are for the purpose of illustrating portions of the article that form no part of the claimed design. The left side view is a mirror image of the right side view of FIG. 3 and is therefore omitted. The bottom view is a mirror image of the top view of FIG. 6 and is therefore omitted.

**1 Claim, 6 Drawing Sheets**



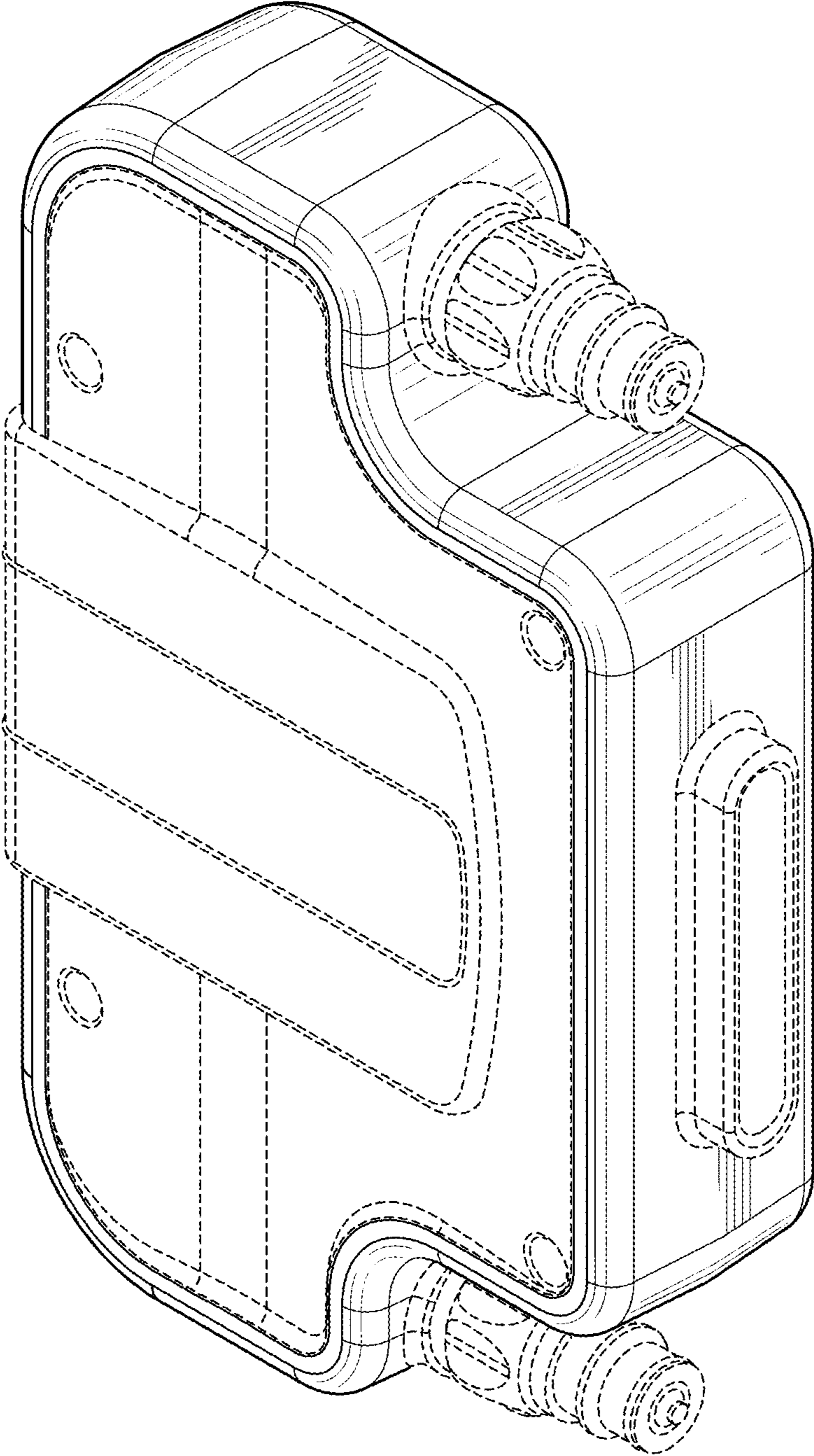


FIG. 1

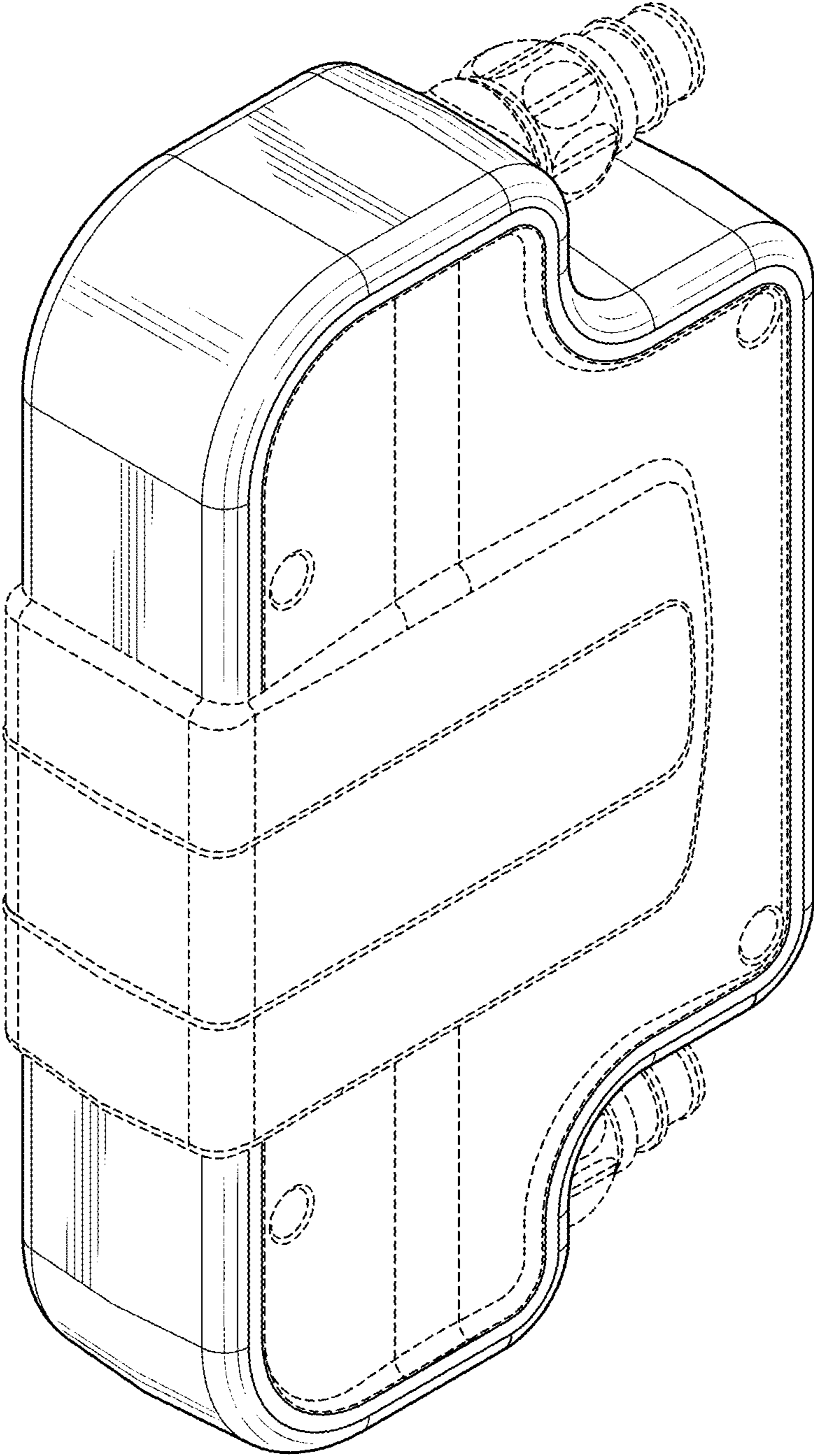


FIG. 2

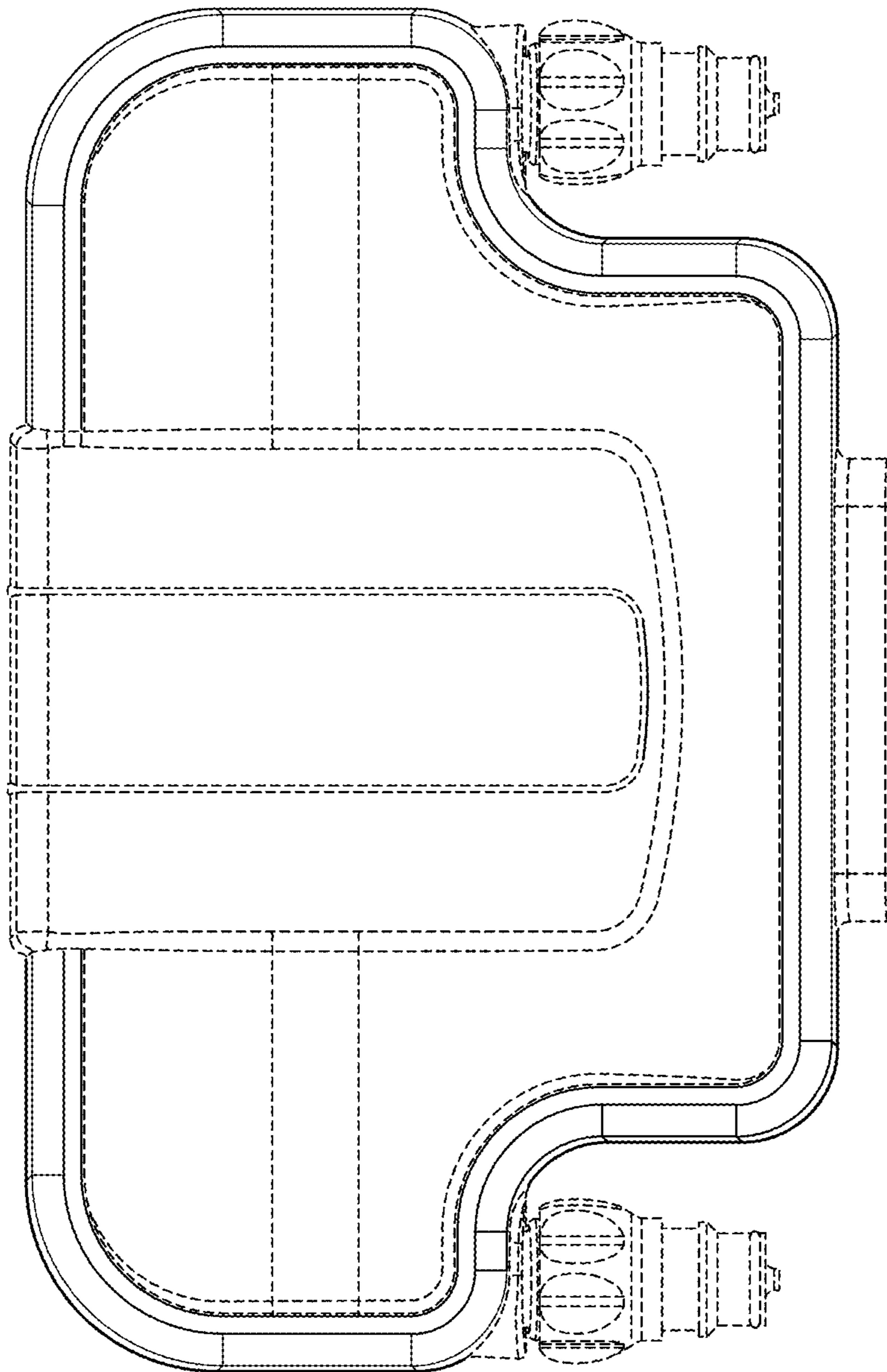


FIG. 3

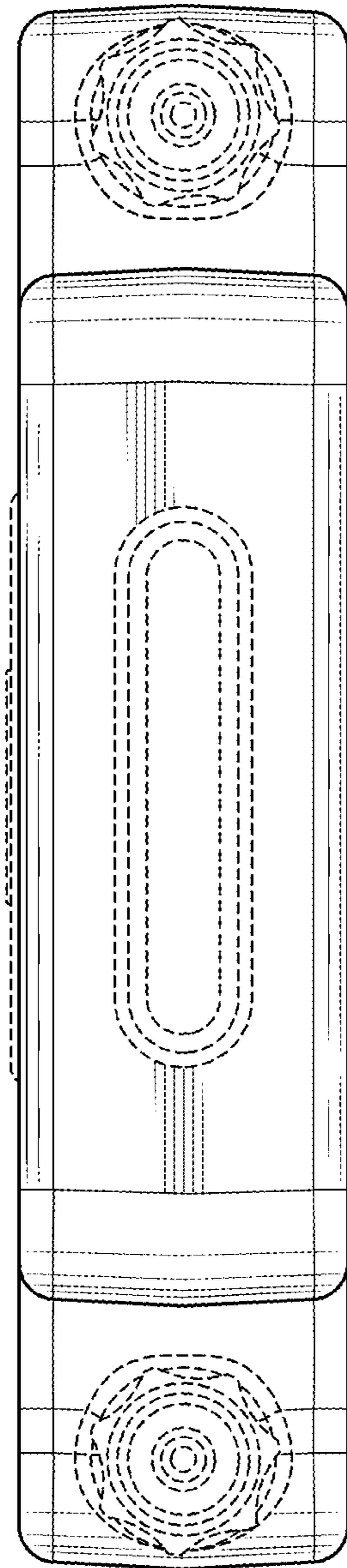
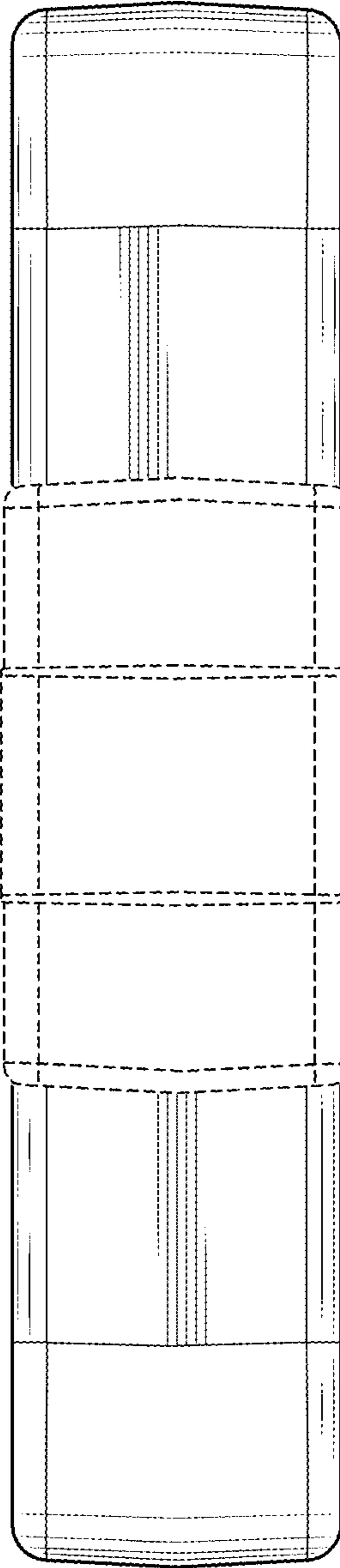


FIG. 4



**FIG. 5**

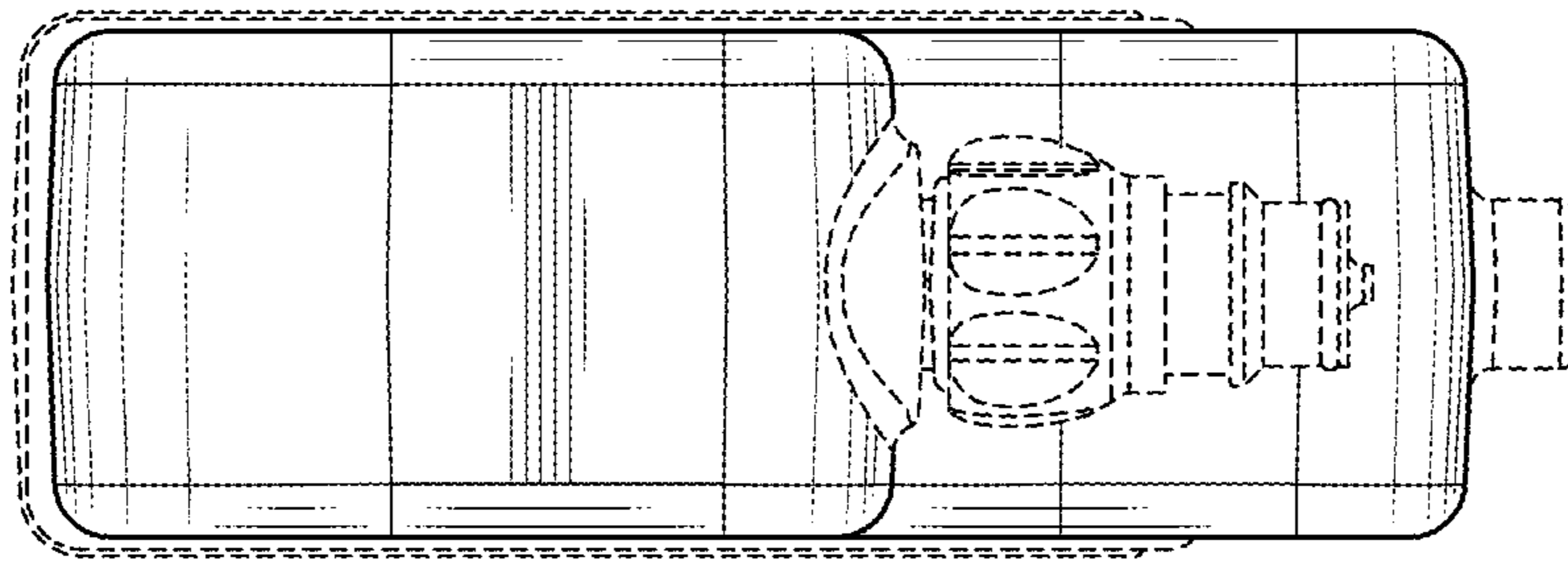


FIG. 6