



US00D995696S

(12) **United States Design Patent**
Pischke et al.

(10) **Patent No.:** **US D995,696 S**

(45) **Date of Patent:** **** Aug. 15, 2023**

(54) **FIREARM SIGHT**

(71) Applicant: **Sellmark Corporation**, Mansfield, TX (US)

(72) Inventors: **Andrew Pischke**, Mansfield, TX (US);
Jonathan Horton, Arlington, TX (US)

(73) Assignee: **Sellmark Corporation**, Mansfield, TX (US)

(**) Term: **15 Years**

(21) Appl. No.: **29/779,407**

(22) Filed: **Apr. 19, 2021**

(51) **LOC (14) Cl.** **22-01**

(52) **U.S. Cl.**
USPC **D22/109**

(58) **Field of Classification Search**
USPC D22/110, 199, 108, 109, 132;
D26/37-50; D21/572, 573
CPC F41G 1/00; F41G 1/17; F41G 1/30; F41G
1/32; F41G 1/345; F41G 11/001; F41G
11/003
See application file for complete search history.

(56) **References Cited**

U.S. PATENT DOCUMENTS

D349,510 S	*	8/1994	Tomita	D16/132
D672,005 S	*	12/2012	Hedeem	D22/109
D672,839 S	*	12/2012	Ding	D22/109
D679,775 S	*	4/2013	Cheng	D22/109
D732,137 S	*	6/2015	Hamilton	D22/109
D741,446 S	*	10/2015	Cheng	D22/109
D750,726 S	*	3/2016	Cheng	D22/109

D757,886 S	*	5/2016	Cheng	D22/109
D765,212 S	*	8/2016	Cheng	D22/109
D774,157 S	*	12/2016	Koesler	D22/109
D774,158 S	*	12/2016	Cheng	D22/109
D781,990 S	*	3/2017	Cheng	D22/109
D846,691 S	*	4/2019	Cheng	D22/109
D856,458 S	*	8/2019	Cheng	D22/109
D888,874 S	*	6/2020	Hamilton	D22/109
D905,193 S	*	12/2020	Johnston	D22/109
D940,266 S	*	1/2022	Wang	D22/109

* cited by examiner

Primary Examiner — S. Bryan Reinholdt, Jr.

Assistant Examiner — Kaitlan Walker

(74) *Attorney, Agent, or Firm* — Mark D. Perdue

(57) **CLAIM**

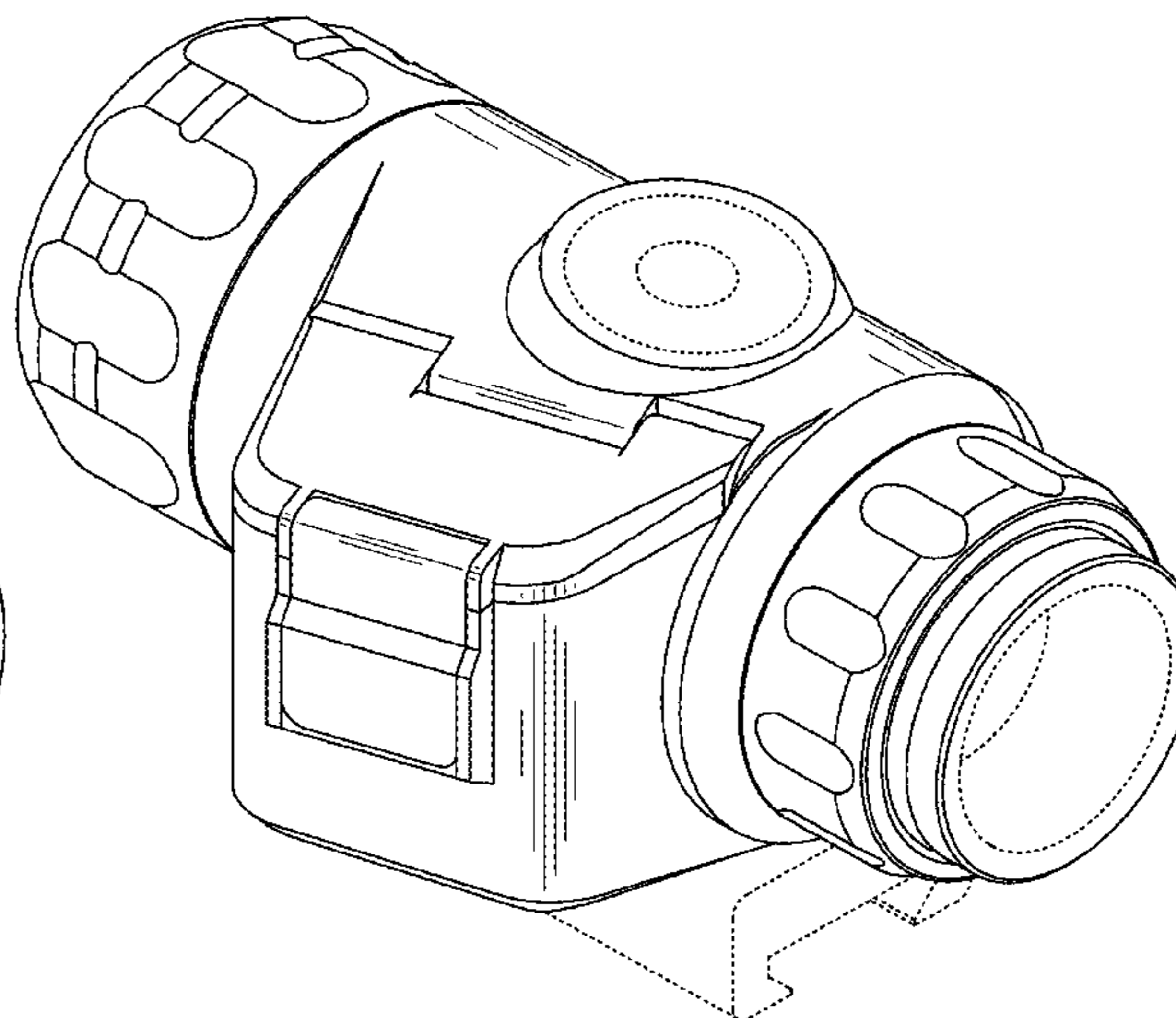
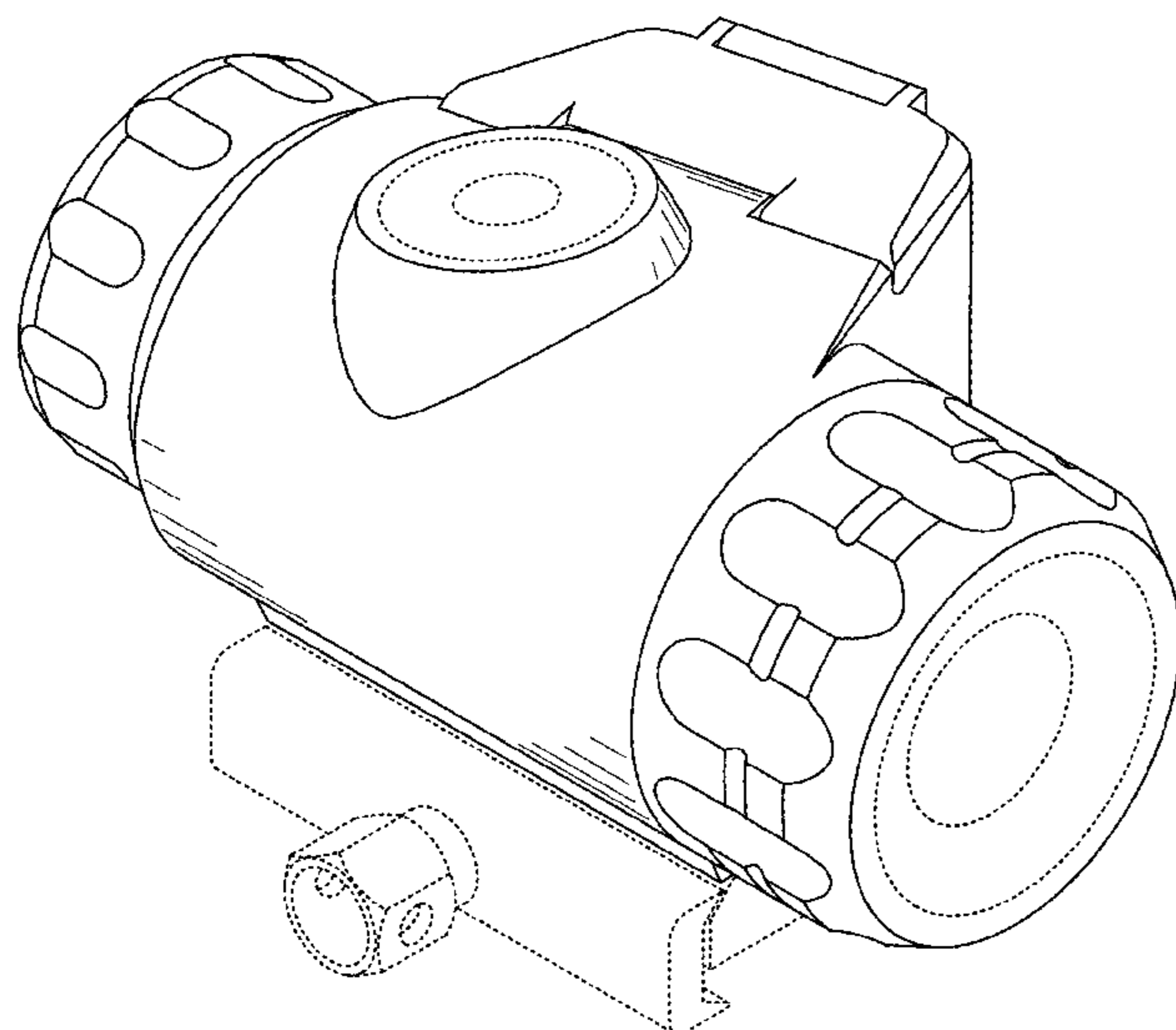
The ornamental design for the firearm sight, as shown and described.

DESCRIPTION

FIG. 1 is a left front isometric view of the firearm sight. FIG. 2 is a front view of the firearm sight of FIG. 1. FIG. 3 is a rear view of the firearm sight of FIG. 1. FIG. 4 is a left side view of the firearm sight of FIG. 1. FIG. 5 is a right side view of the firearm sight of FIG. 1. FIG. 6 is a top view of the firearm sight of FIG. 1. FIG. 7 is a bottom view of the firearm sight of FIG. 1. FIG. 8 is a right rear isometric view of the firearm sight of FIG. 1; and, FIG. 9 is a right front isometric view of the firearm sight of FIG. 1.

The broken lines depict portions of the firearm sight in which the design is embodied that form no part of the claimed design.

1 Claim, 7 Drawing Sheets



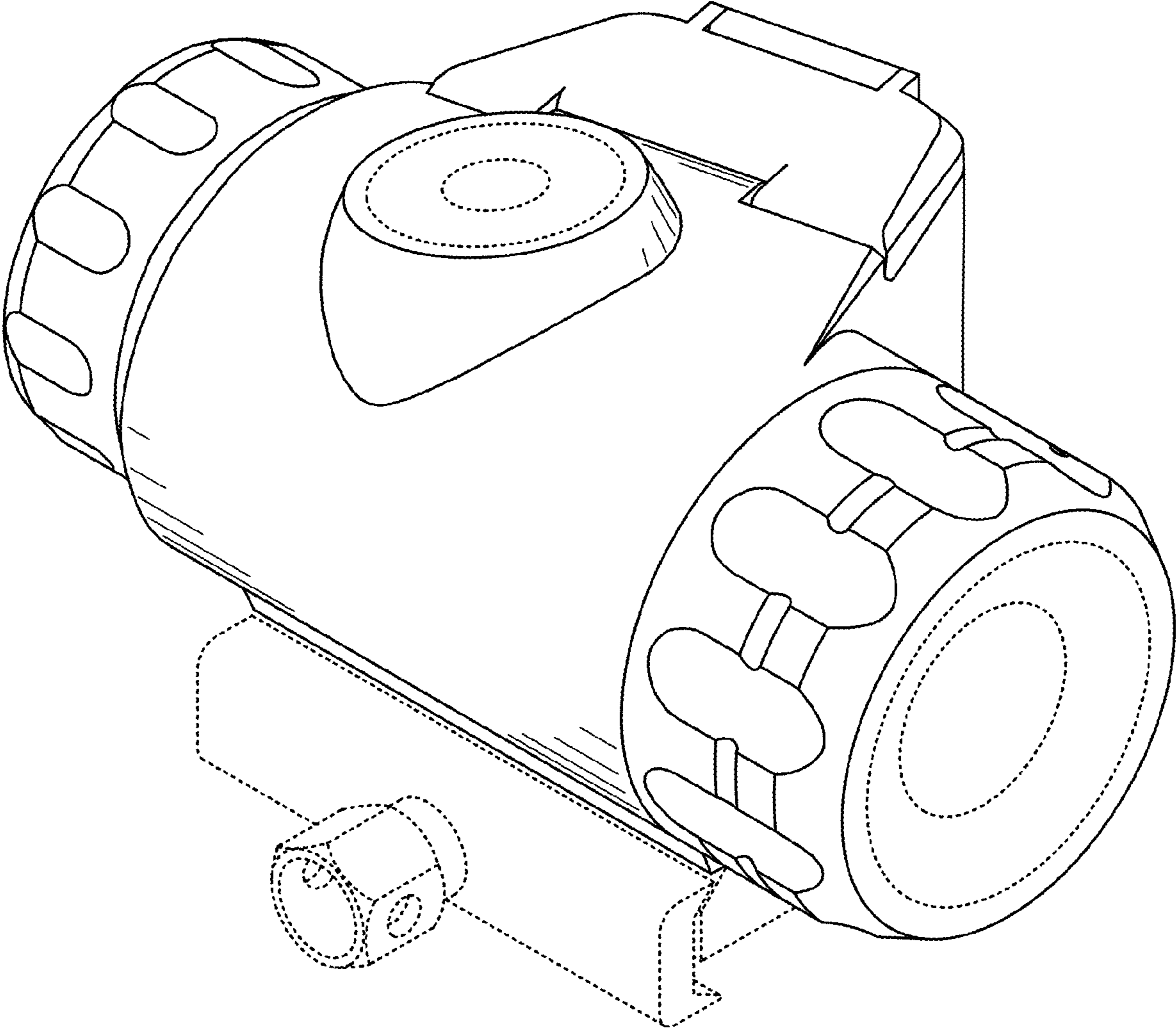


FIG. 1

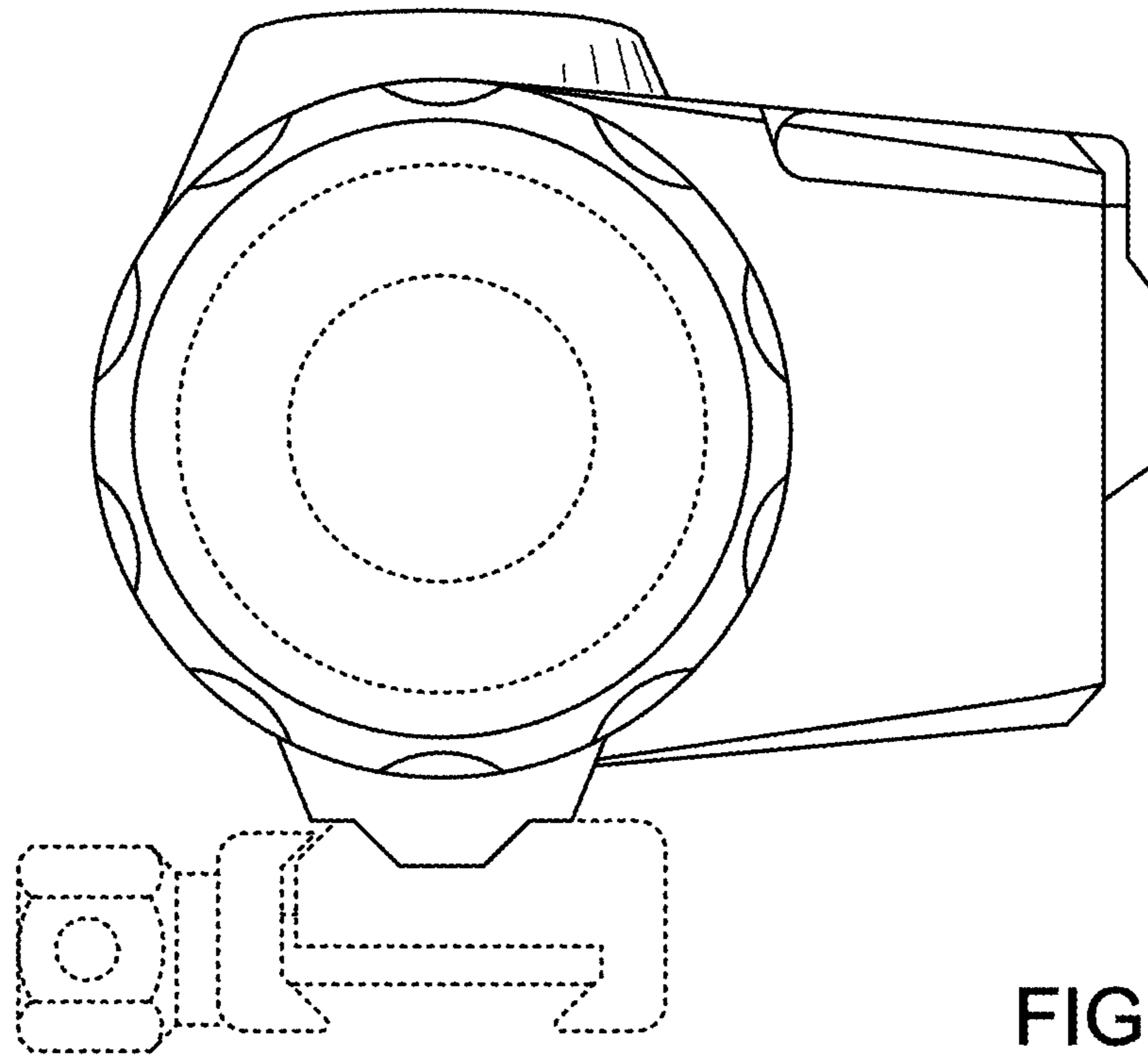


FIG. 2

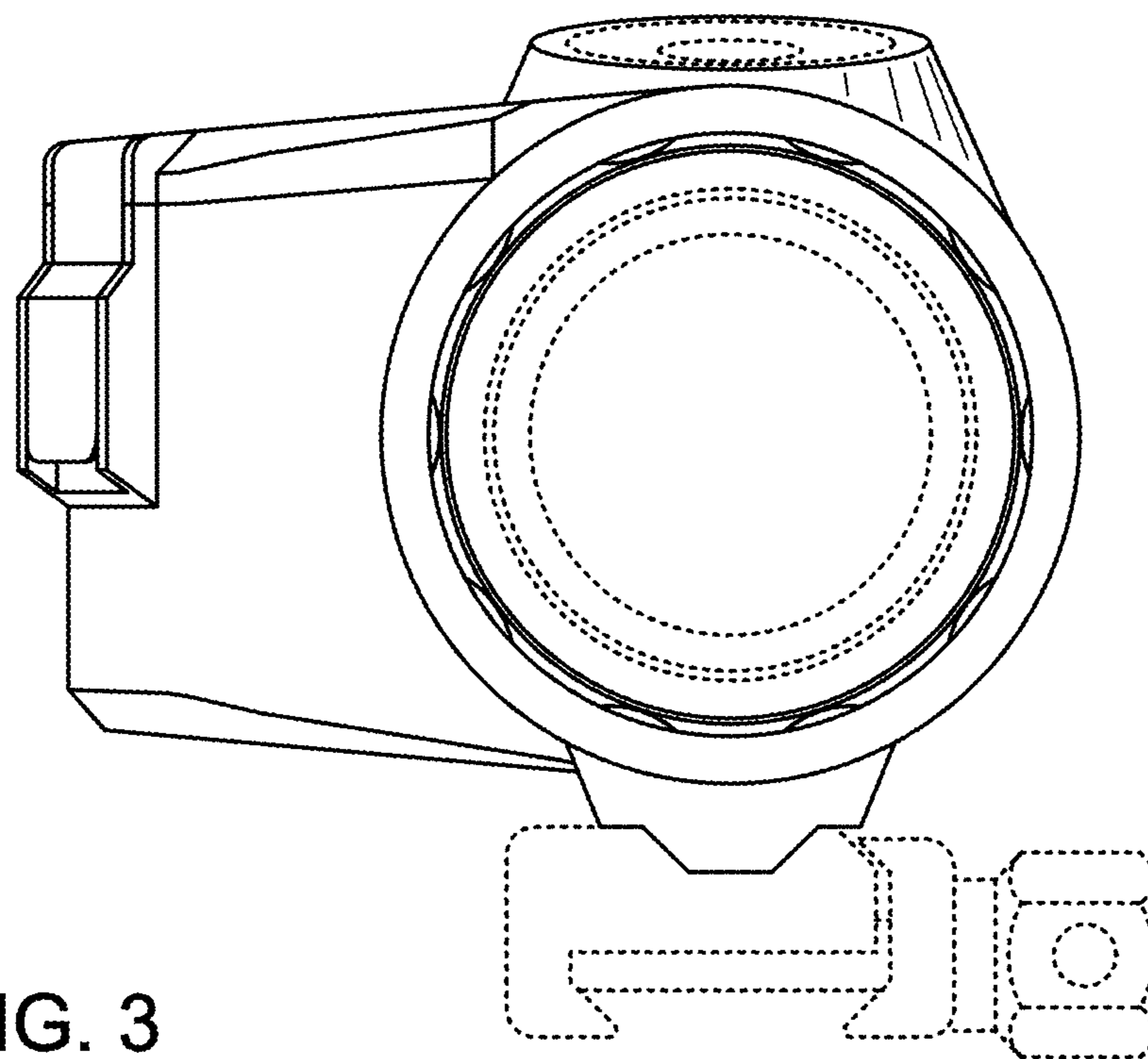
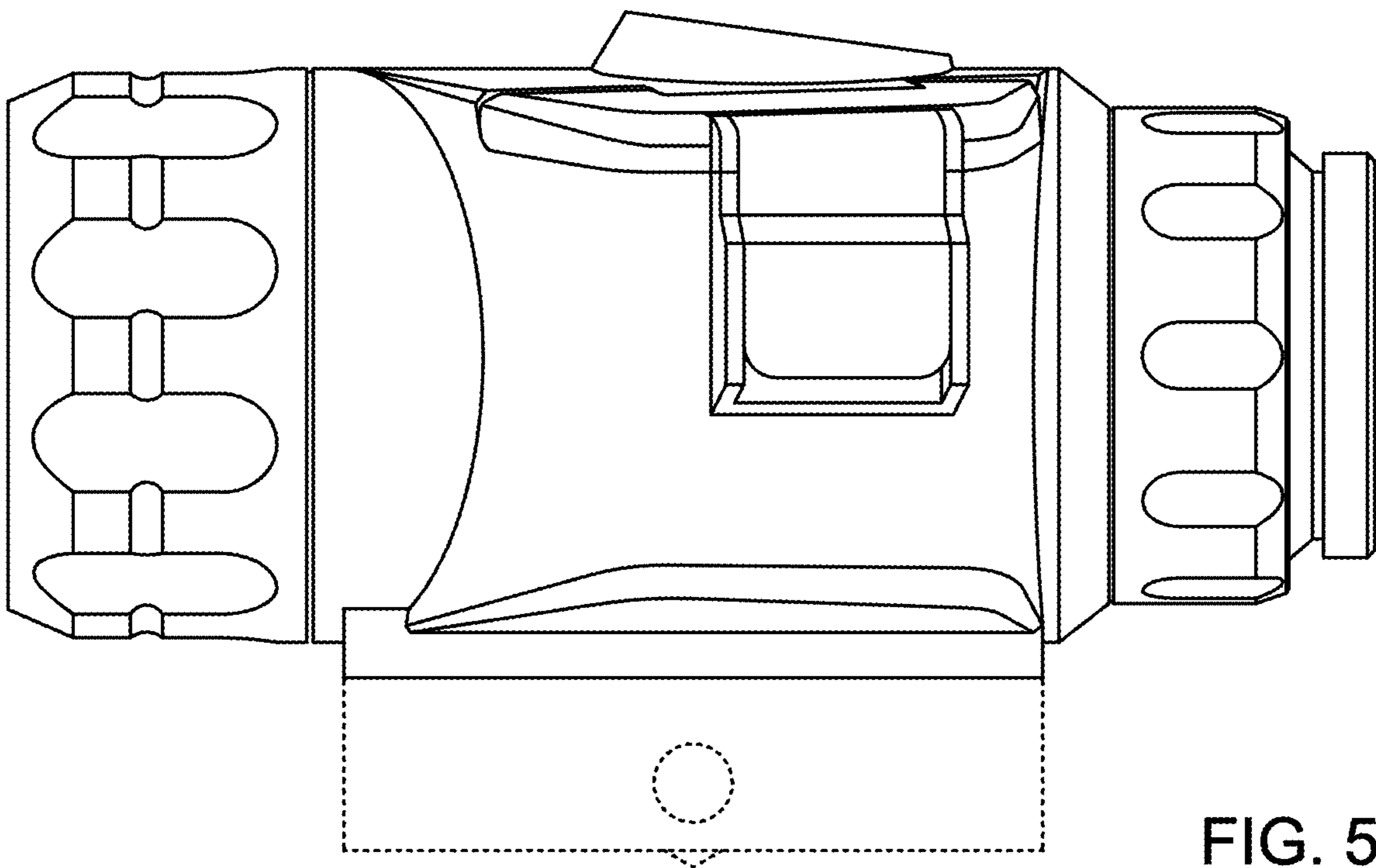
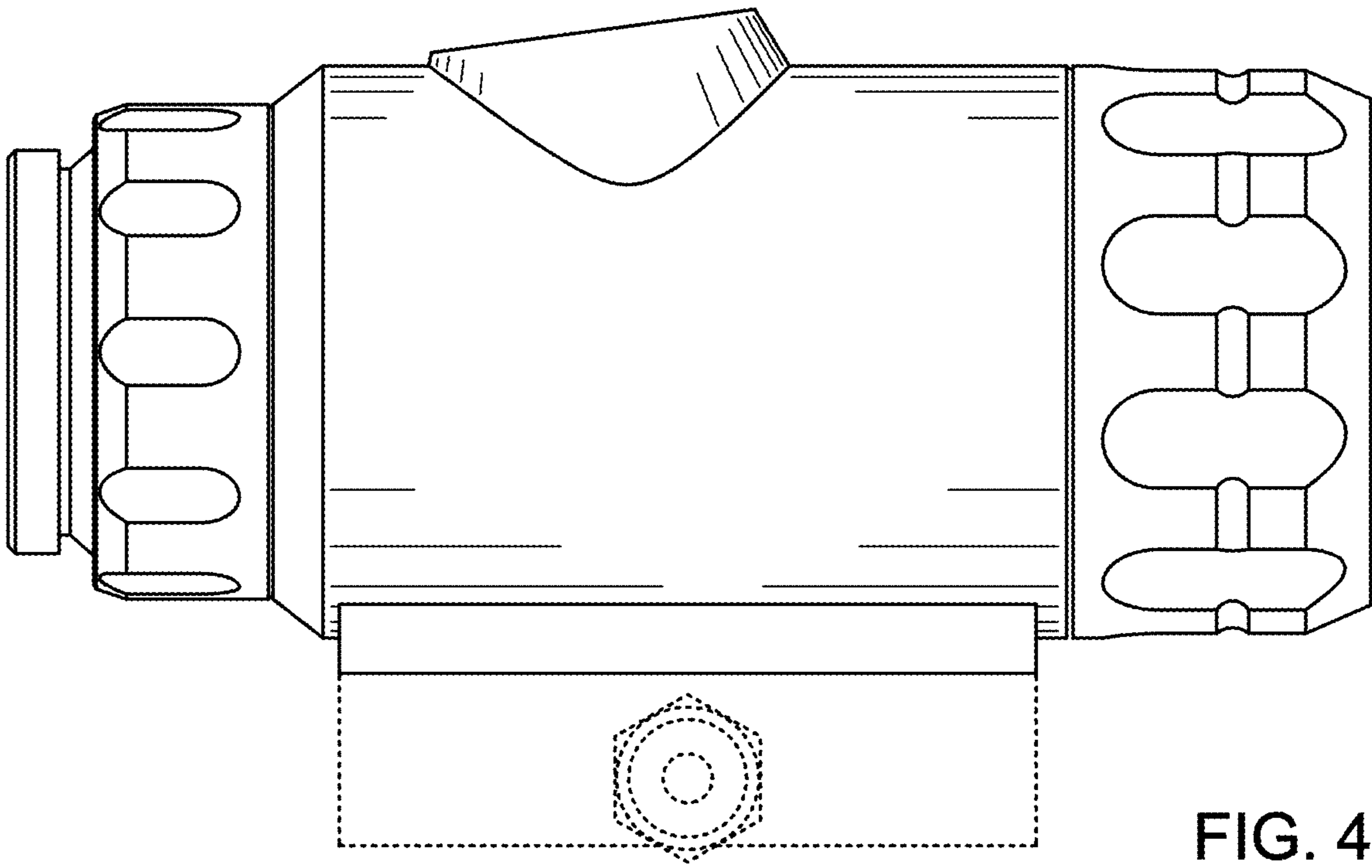


FIG. 3



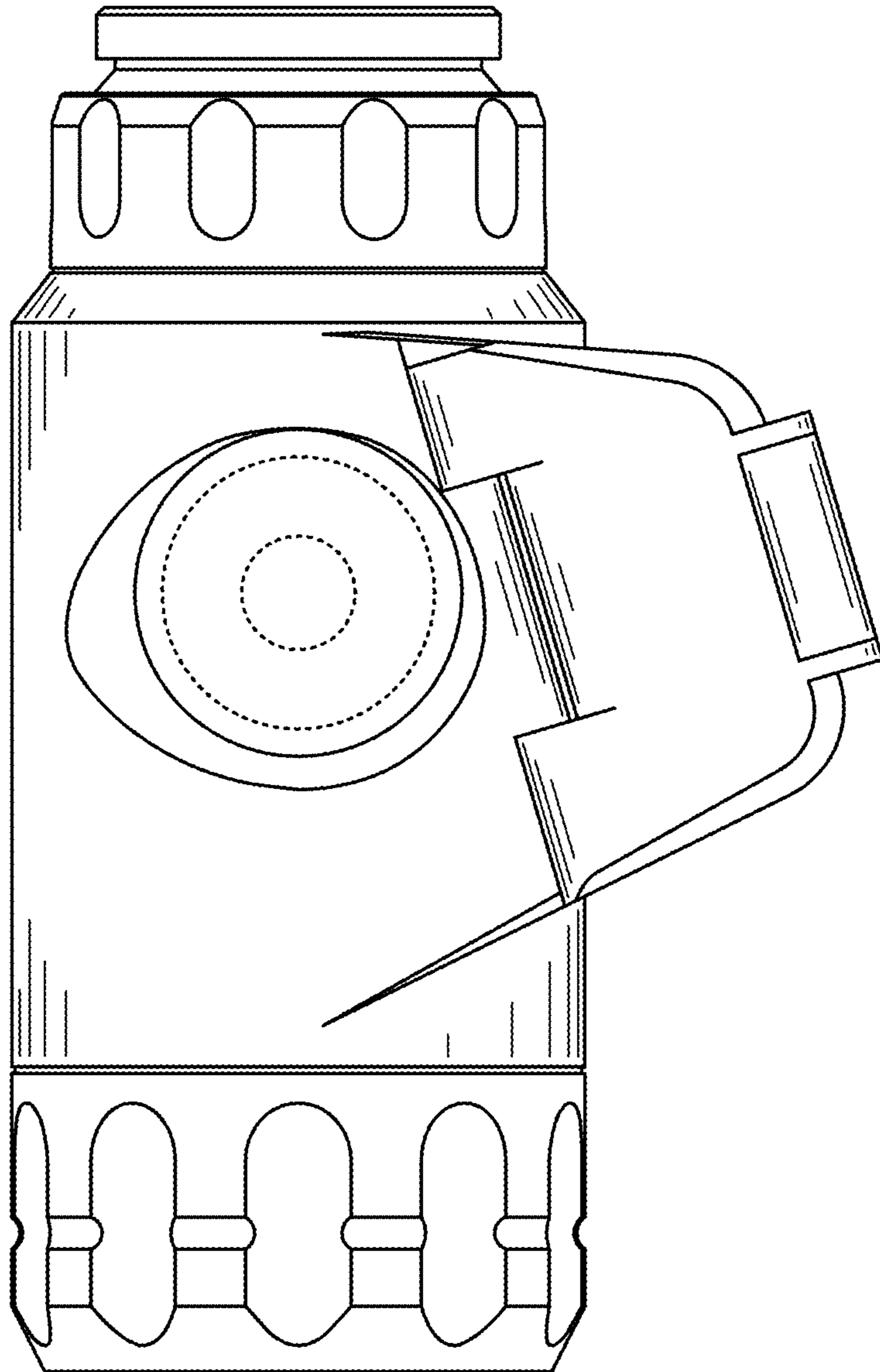


FIG. 6

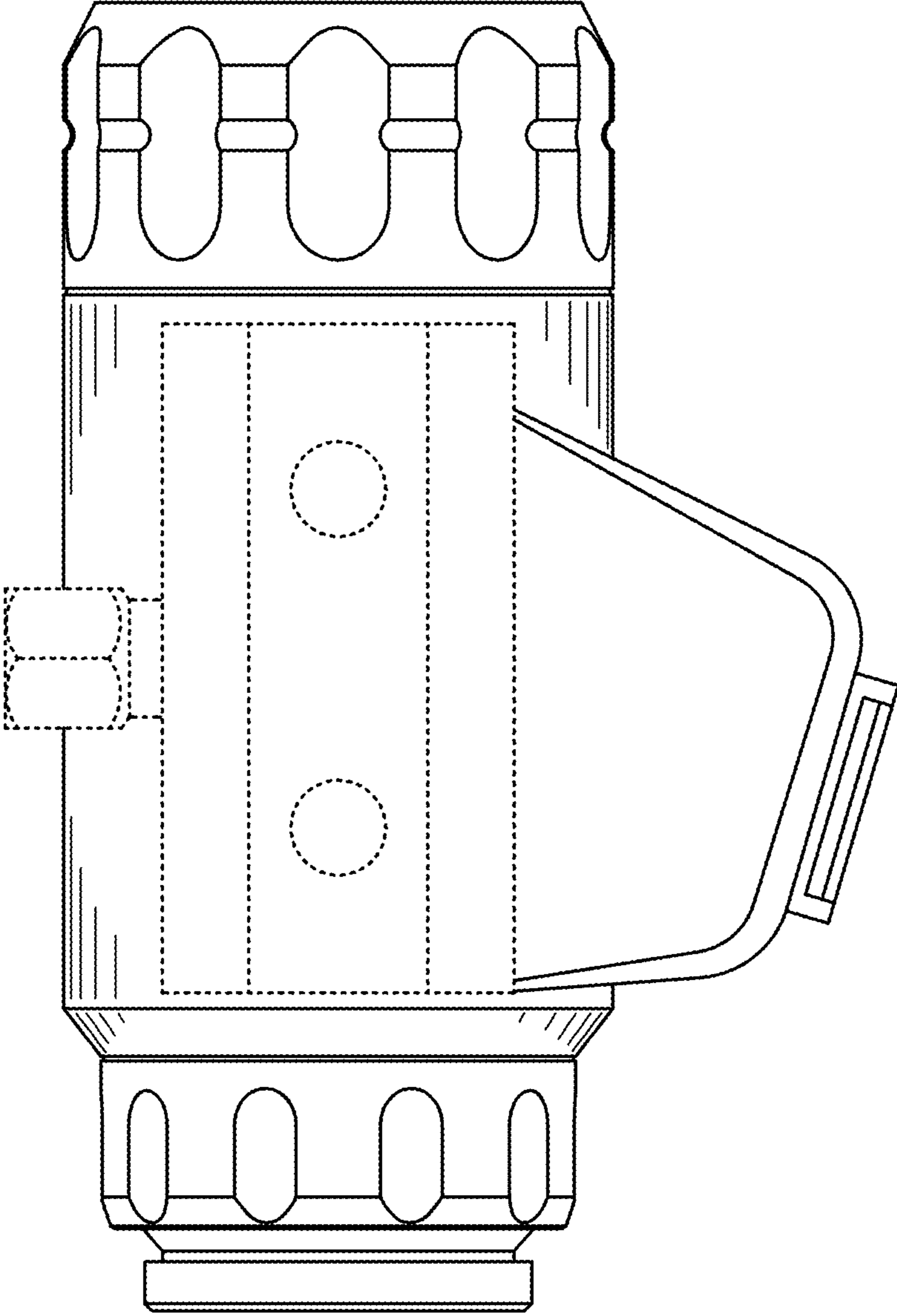


FIG. 7

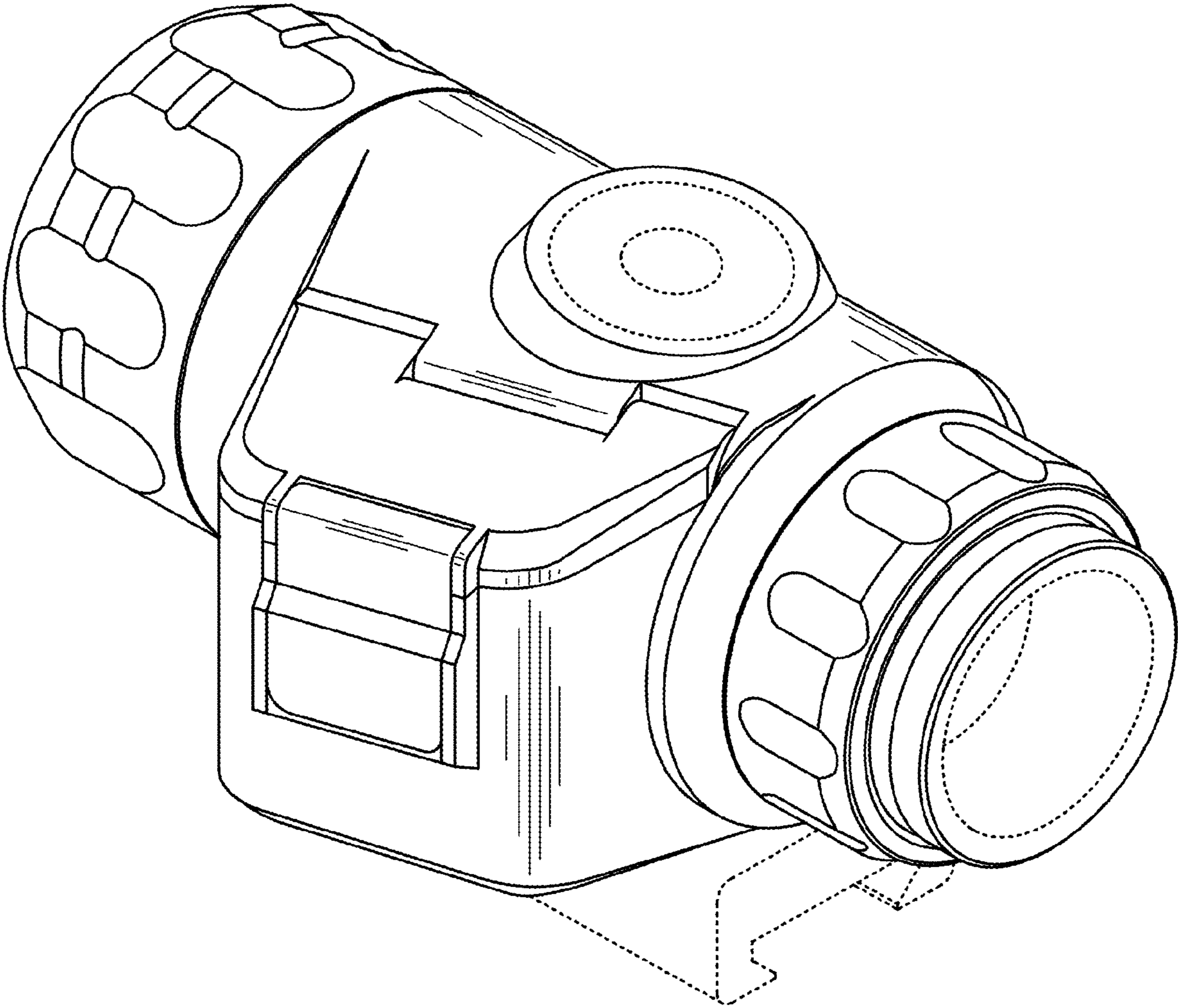


FIG. 8

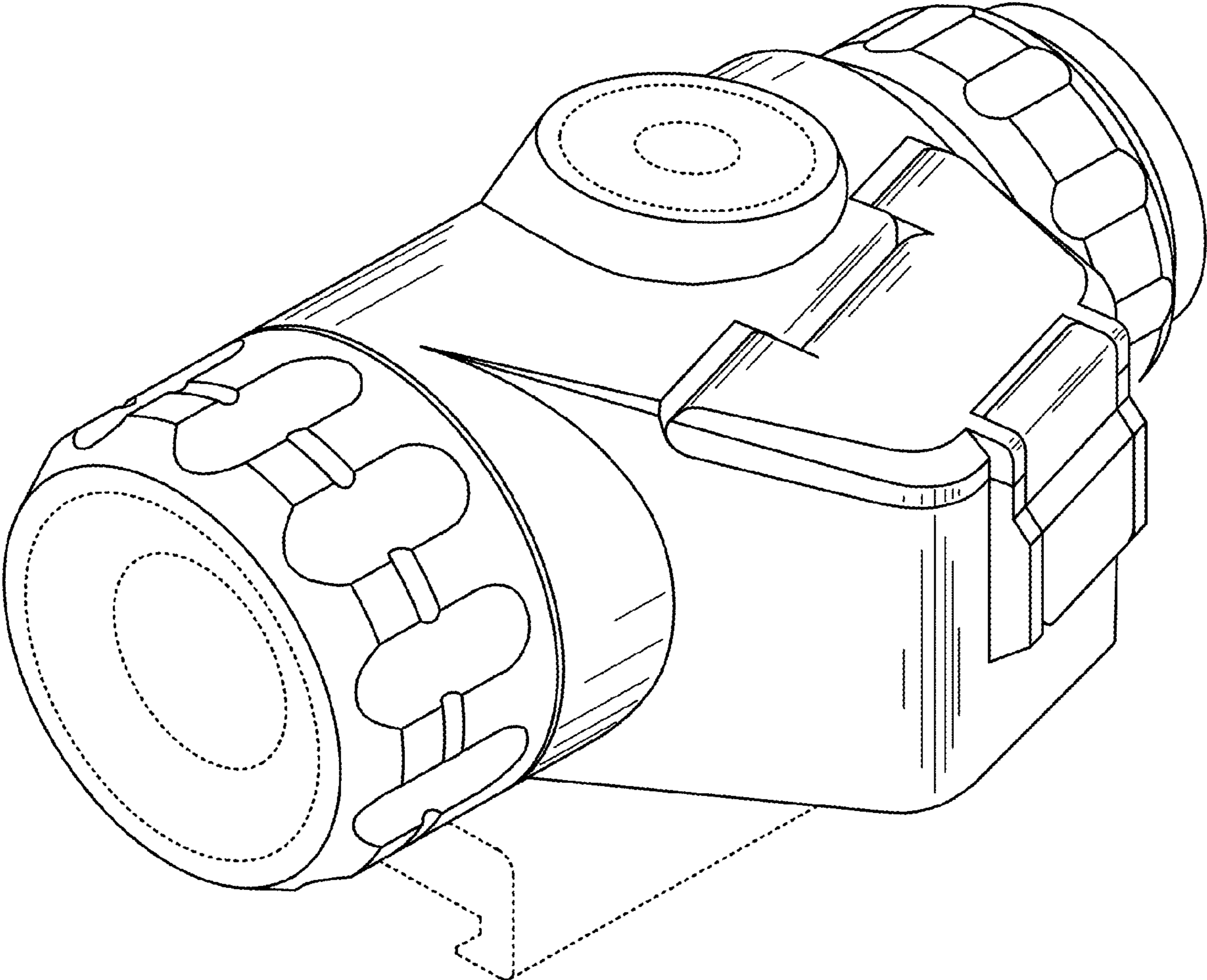


FIG. 9