



US00D995284S

(12) **United States Design Patent**
Vera

(10) **Patent No.:** **US D995,284 S**

(45) **Date of Patent:** **** Aug. 15, 2023**

(54) **CORNER PROTECTOR**

(71) Applicant: **WAPPA, LLC**, Gaithersburg, MD (US)

(72) Inventor: **Yader Vera**, Gaithersburg, MD (US)

(73) Assignee: **WAPPA, LLC**, Gaithersburg, MD (US)

(**) Term: **15 Years**

(21) Appl. No.: **29/818,041**

(22) Filed: **Dec. 6, 2021**

(51) **LOC (14) Cl.** **08-09**

(52) **U.S. Cl.**
USPC **D8/403**

(58) **Field of Classification Search**
USPC D6/699.4, 702; D8/400, 402, 403, 499
CPC B65D 2581/055; B65D 81/056; B65D
81/057; B65D 81/053; B65D 81/054
See application file for complete search history.

(56) **References Cited**

U.S. PATENT DOCUMENTS

1,320,205	A *	10/1919	Cochrane	B65D 9/34
					217/69
2,324,031	A *	7/1943	Schiffenhaus	A47B 95/043
					16/404
2,885,139	A *	5/1959	Werner	B65D 81/057
					206/453
4,072,231	A *	2/1978	Helms	B65D 81/056
					217/53
D249,314	S *	9/1978	Wilde	D8/403
D253,506	S *	11/1979	Vigue	D8/403
D287,446	S *	12/1986	Cowle	D8/403
D302,789	S *	8/1989	Levine	D8/403
4,852,744	A *	8/1989	Van Breemen	B65D 81/056
					217/69
D303,924	S *	10/1989	Klein	D8/403
D385,180	S *	10/1997	Brandes	D8/403
D394,603	S *	5/1998	Brandes	D8/403
D394,802	S *	6/1998	Brandes	D8/403

D422,541	S *	4/2000	Richter	D12/172
D537,337	S *	2/2007	Brockington	D8/499
D573,013	S *	7/2008	Lavelle	D8/403
D598,756	S *	8/2009	Robichaud	D8/403
D602,350	S *	10/2009	Lavelle	D8/403
D612,718	S *	3/2010	Lavelle	D8/403

(Continued)

OTHER PUBLICATIONS

“BeRicham 20 Pack Baby Safety Clear Furniture Corner Guards”,
May 21, 2017, Amazon.co.uk, site visited Apr. 7, 2023: <https://www.amazon.co.uk/BeRicham-Furniture-Protector-Adhesive-Ball-Shaped/dp/B072QBGX2R> (Year: 2017).*

(Continued)

Primary Examiner — Jack Reickel
Assistant Examiner — Michael A Kervin

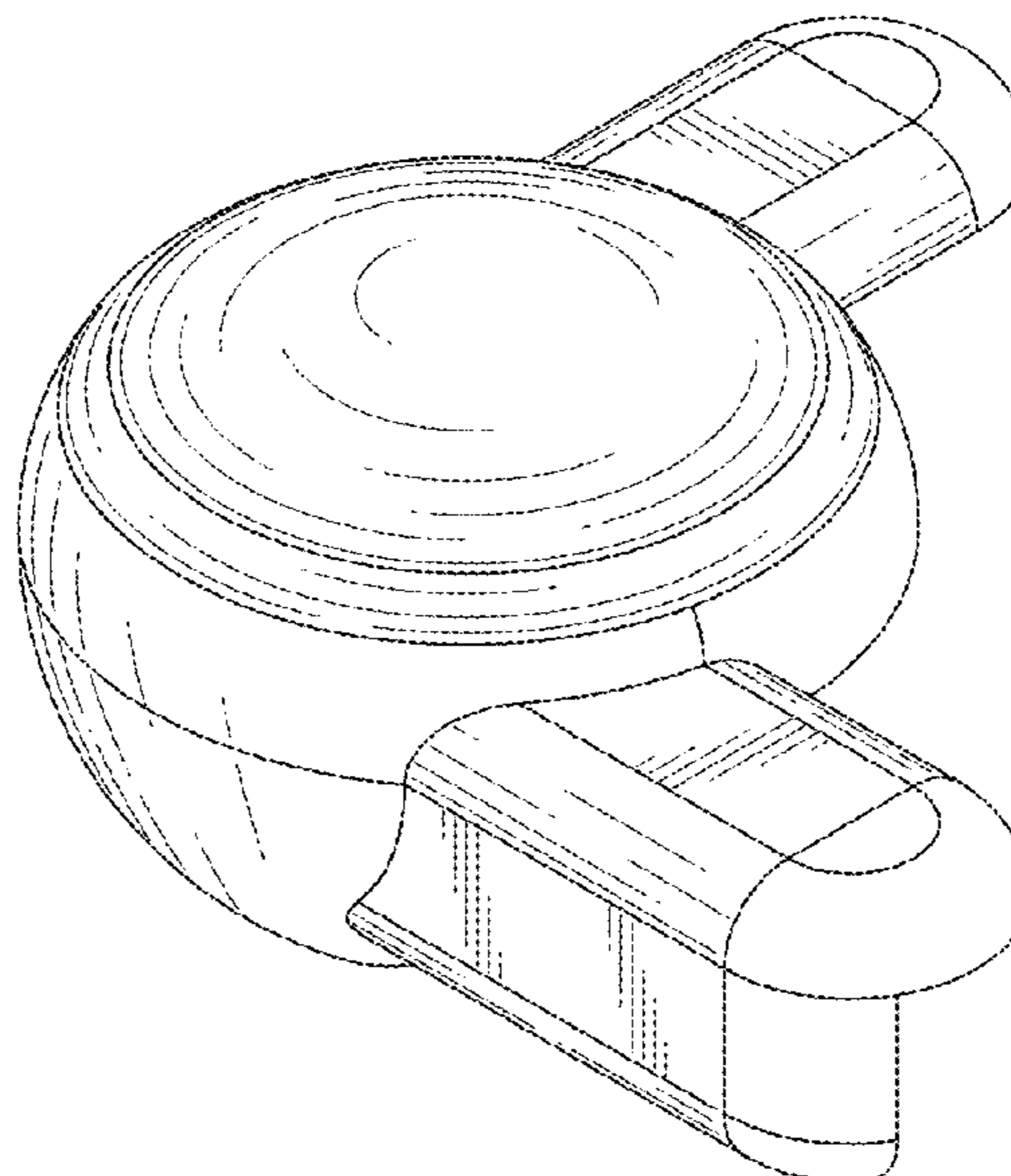
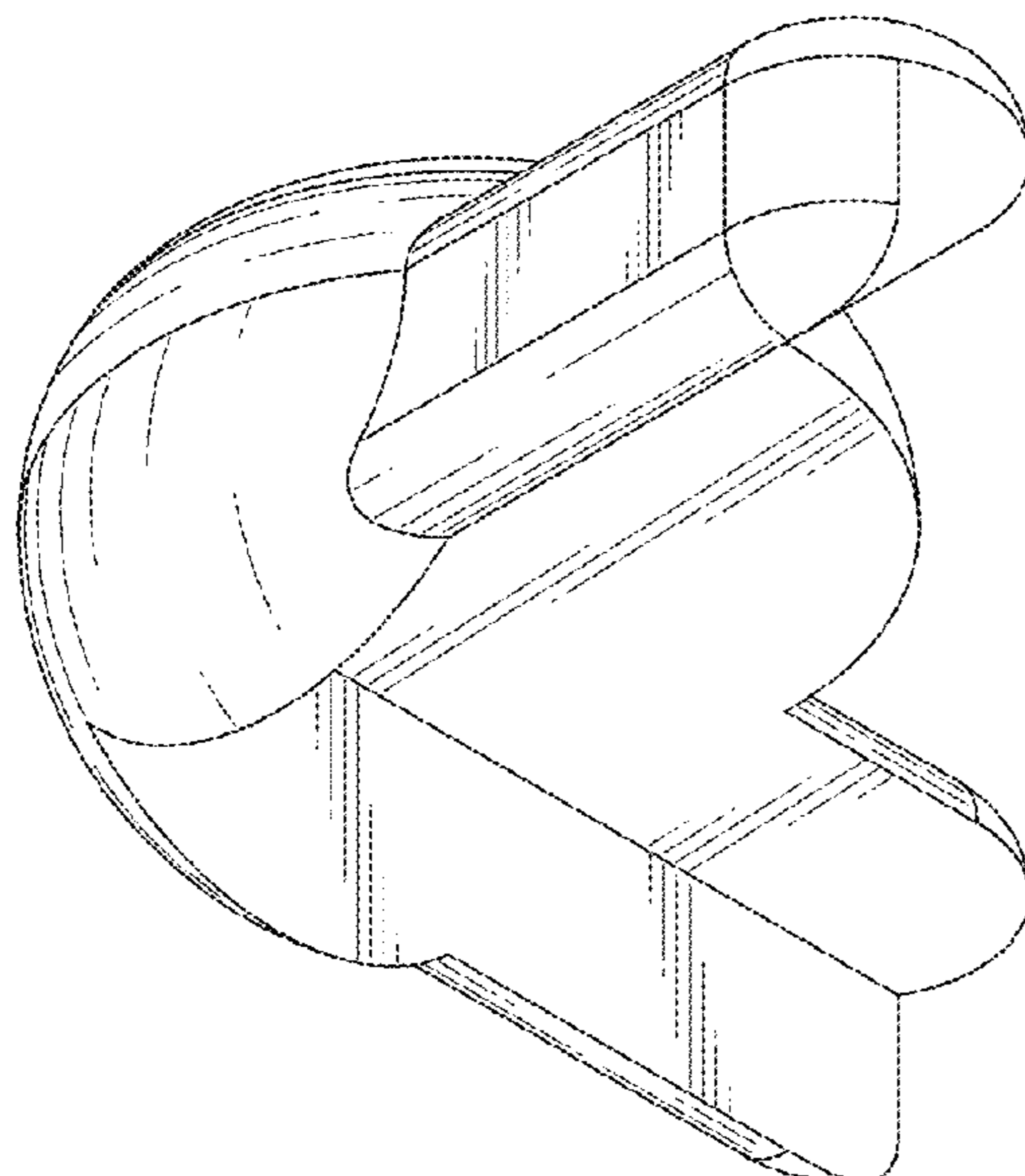
(57) **CLAIM**

The ornamental design for a corner protector, as shown and described.

DESCRIPTION

FIG. 1 is a top, front perspective view of a corner protector showing my new design;
FIG. 2 is a bottom, front perspective view thereof;
FIG. 3 is a bottom, right perspective view thereof;
FIG. 4 is a rear, right side elevational view thereof;
FIG. 5 is a left side elevational view thereof;
FIG. 6 is a right side elevational view thereof;
FIG. 7 is a top, right side perspective view thereof;
FIG. 8 is a top, left side perspective view thereof;
FIG. 9 is a top plan view thereof;
FIG. 10 is a top-rear perspective view thereof;
FIG. 11 is a bottom plan view thereof;
FIG. 12 is a bottom-rear perspective view thereof;
FIG. 13 is a bottom, left side perspective view thereof; and,
FIG. 14 is a rear, left side elevational view thereof.

1 Claim, 14 Drawing Sheets



(56)

References Cited

U.S. PATENT DOCUMENTS

D624,812	S	*	10/2010	Lavelle	D8/403
D624,813	S	*	10/2010	Lavelle	D8/403
D640,919	S	*	7/2011	Lavelle	D8/403
D647,212	S	*	10/2011	Lavelle	D24/227
D654,356	S	*	2/2012	Lavelle	D8/403
D693,819	S	*	11/2013	Cocquyt	D14/439
D704,045	S	*	5/2014	Lavelle	D8/403
D709,360	S	*	7/2014	Lavelle	D8/403
D768,474	S	*	10/2016	Super	D8/403
D876,837	S	*	3/2020	Drumm	D3/318
D883,859	S	*	5/2020	Norfleet	D12/106
2009/0230009	A1	*	9/2009	Ogburn	B65D 85/48
						206/453
2009/0250367	A1	*	10/2009	Murdoch	B65D 81/057
						206/453
2015/0021340	A1	*	1/2015	Super	A61B 50/30
						220/642
2022/0120053	A1	*	4/2022	Dunham	E02D 31/00

OTHER PUBLICATIONS

“Top 5 Best Corner Protectors In 2020”, Dec. 5, 2019, YouTube.com, site visited Apr. 7, 2023: <https://www.youtube.com/watch?v=WM2cR87QoDo> (Year: 2019).*

“Corner Protectors—Childproof Corners Easily (Patent Pending)”, Mar. 2, 2023, YouTube.com, site visited Apr. 7, 2023: https://www.youtube.com/watch?v=37hXO_iZYtE (Year: 2023).*

CalMyotis Store, CalMyotis Corner Protector, Baby Proofing Corner Guards, Soft and Transparent, Retrieved from Amazon.com, Oct. 9, 2019.

CalMyotis Store, Corner Protector, Baby Proofing Table Comer Guards, Keep Child Safe, Protectors for Furniture Against Sharp Corners, Retrieved from Amazon.com, Oct. 30, 2017.

* cited by examiner

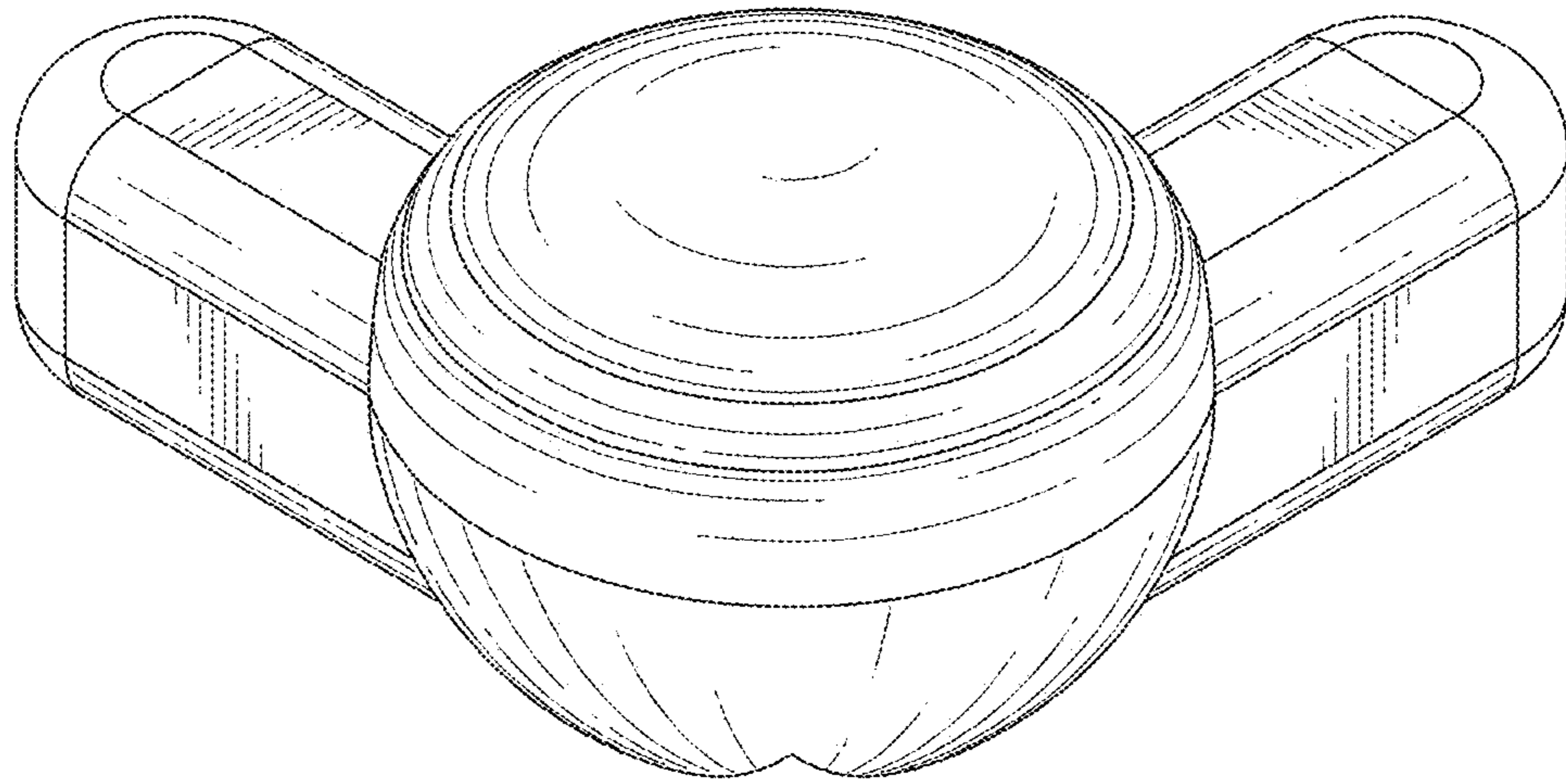


FIG. 1

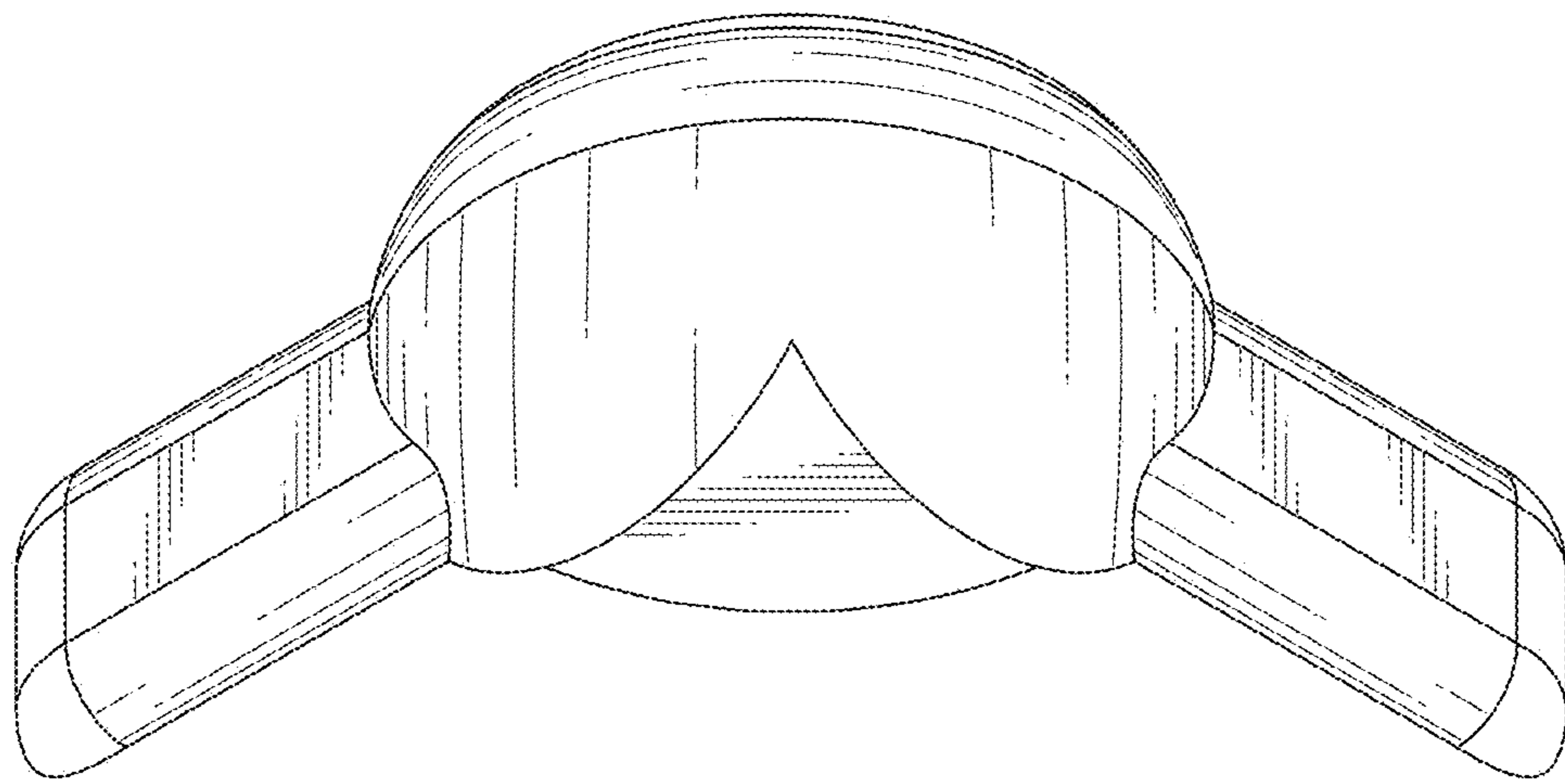


FIG. 2

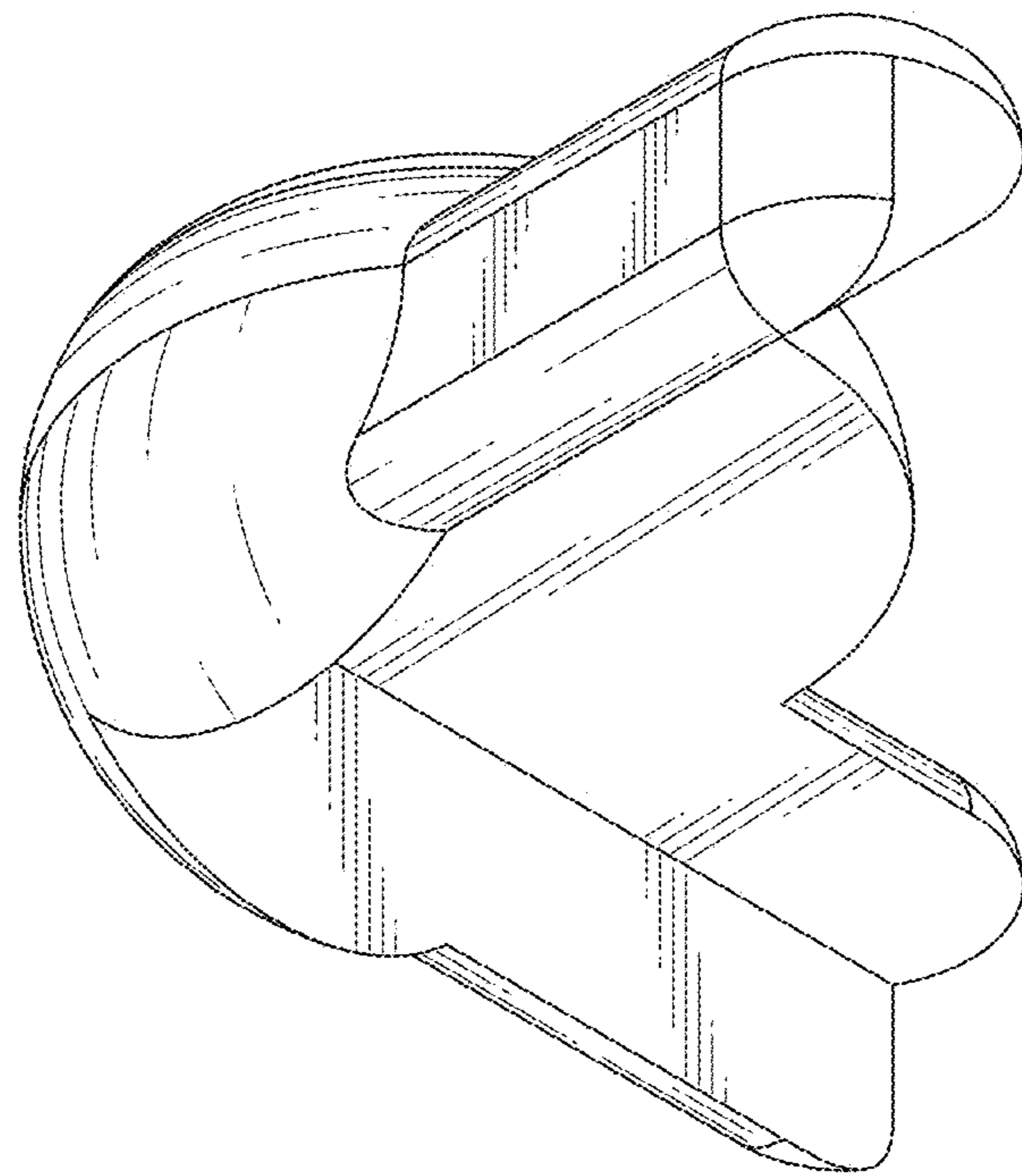


FIG. 3

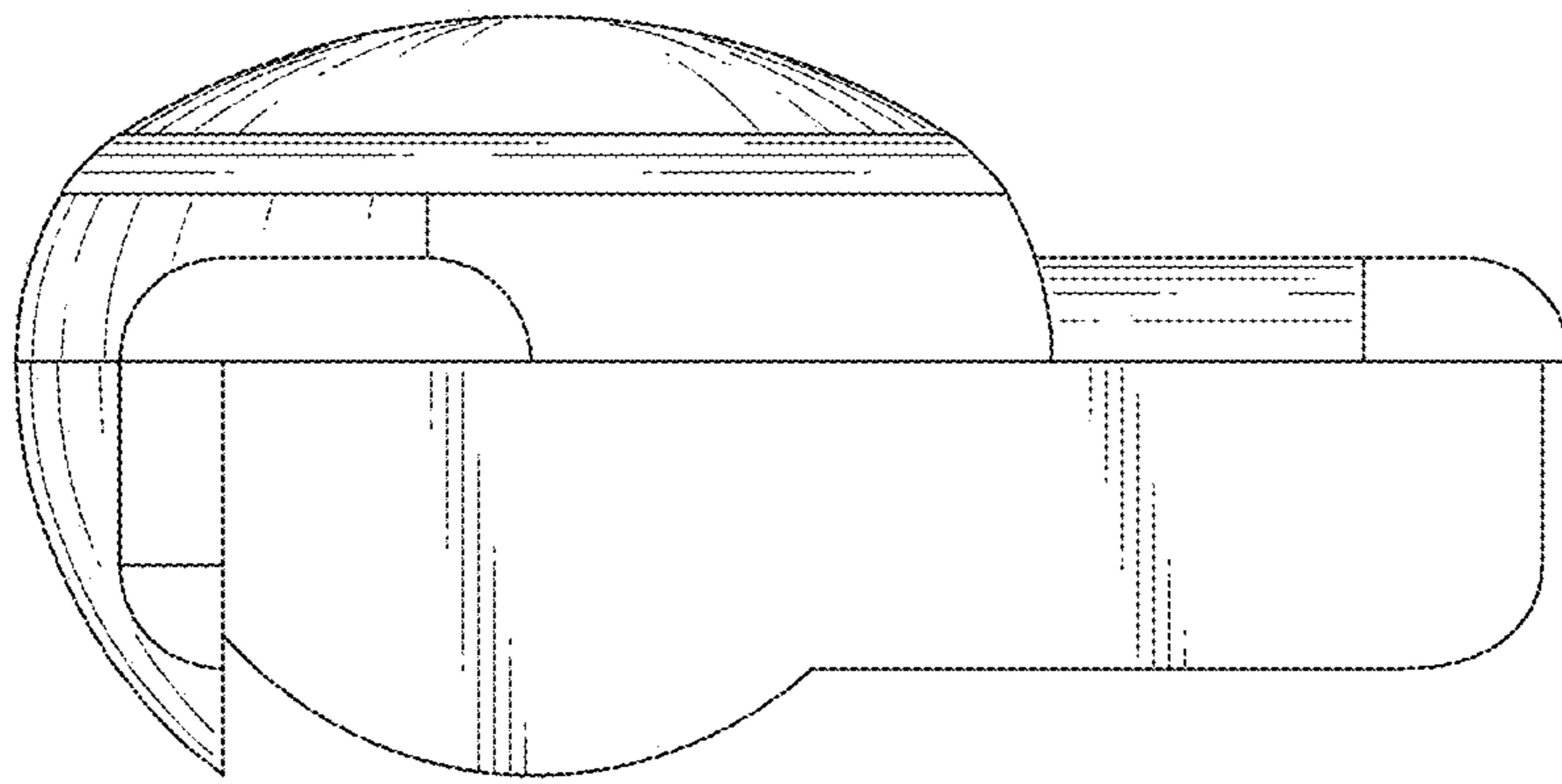


FIG. 4

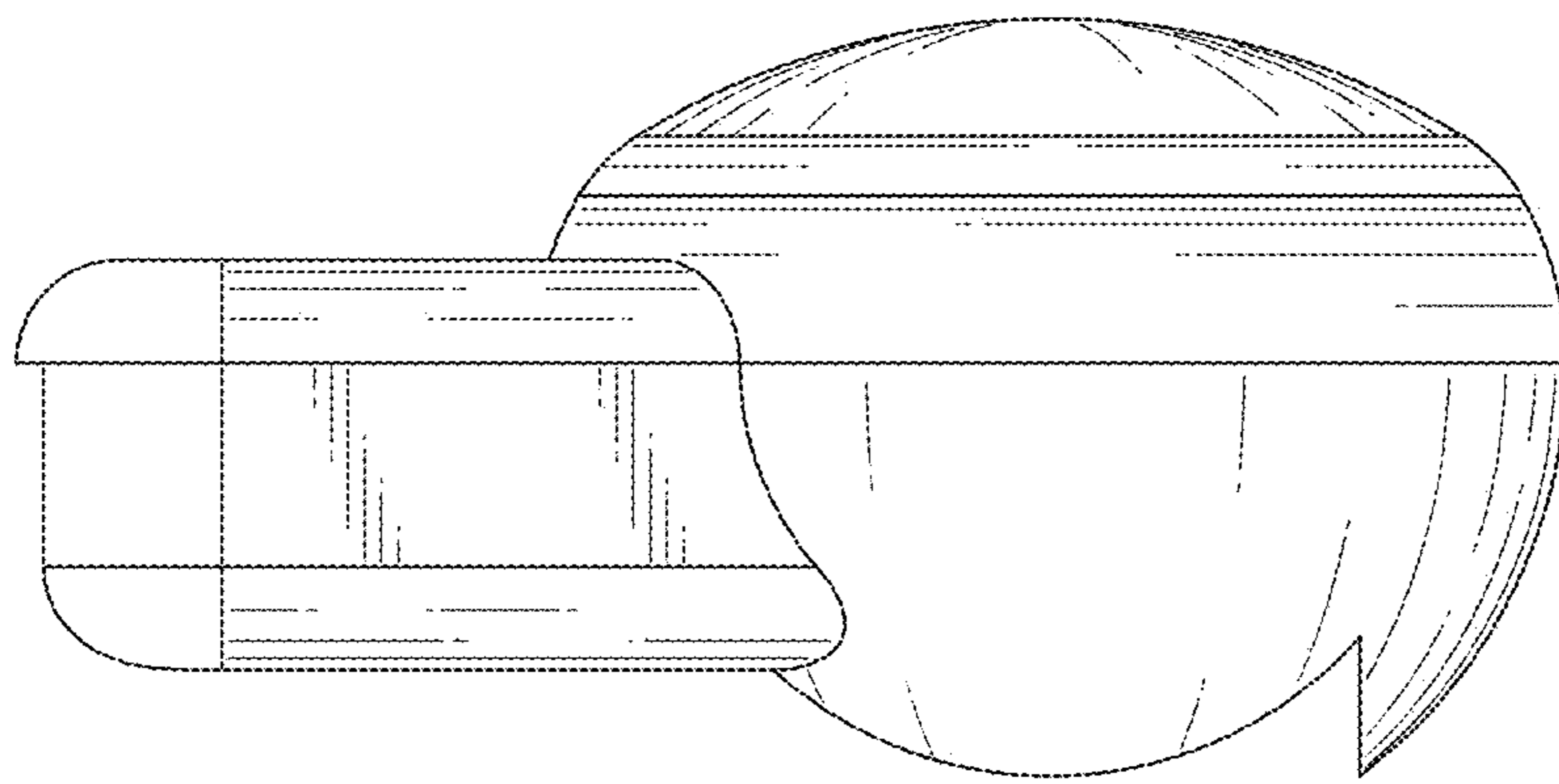


FIG. 5

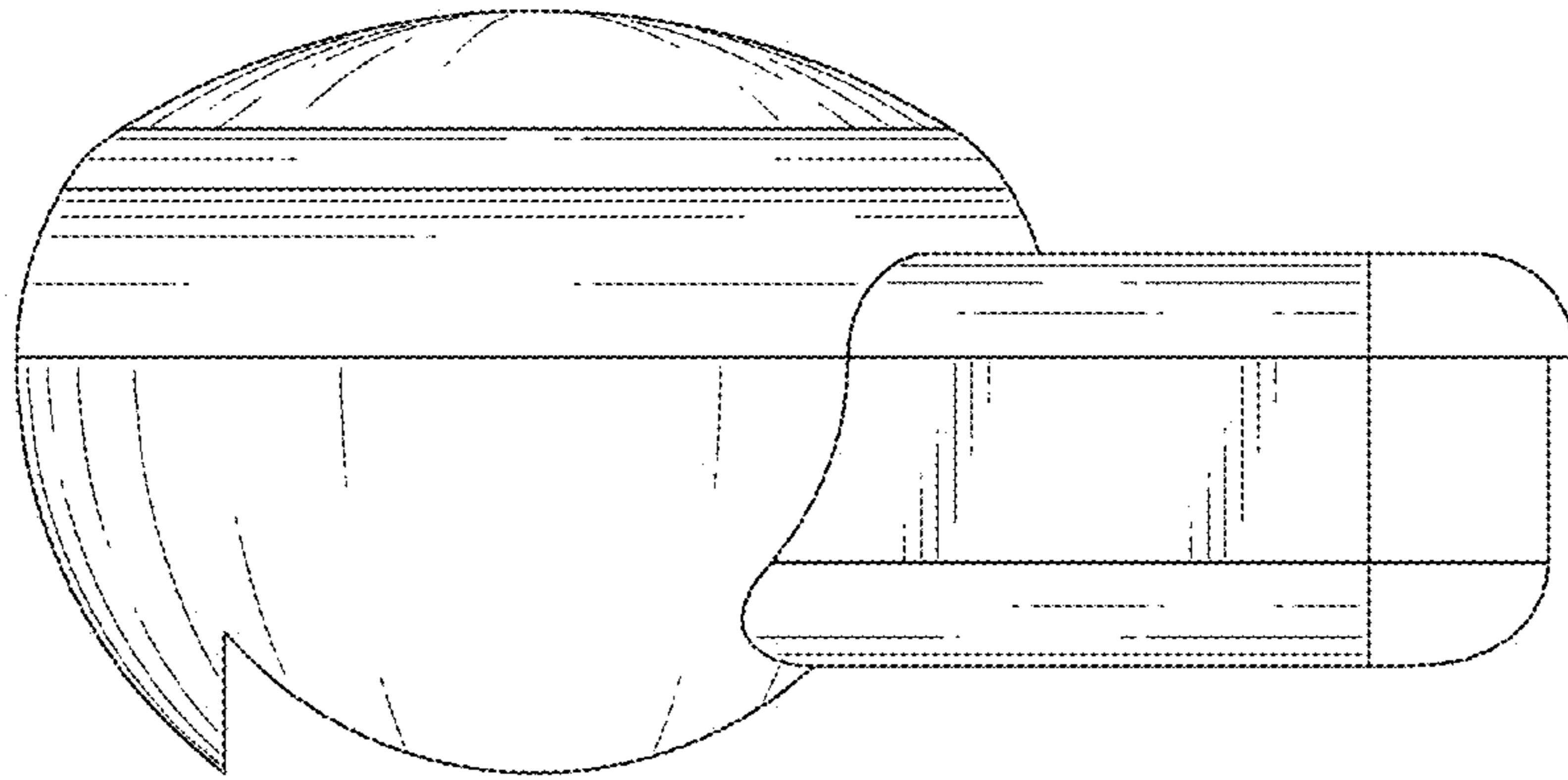


FIG. 6

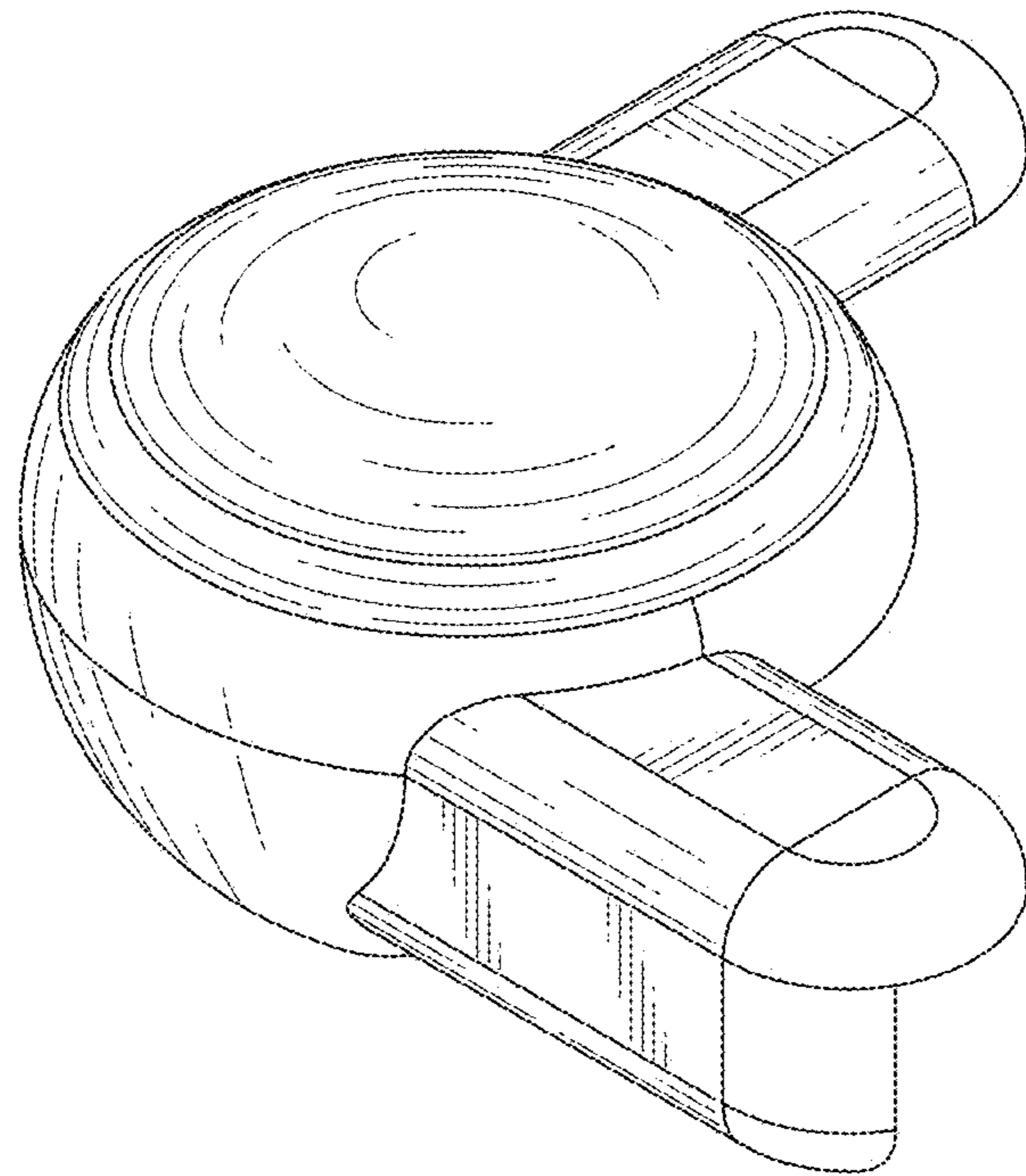


FIG. 7

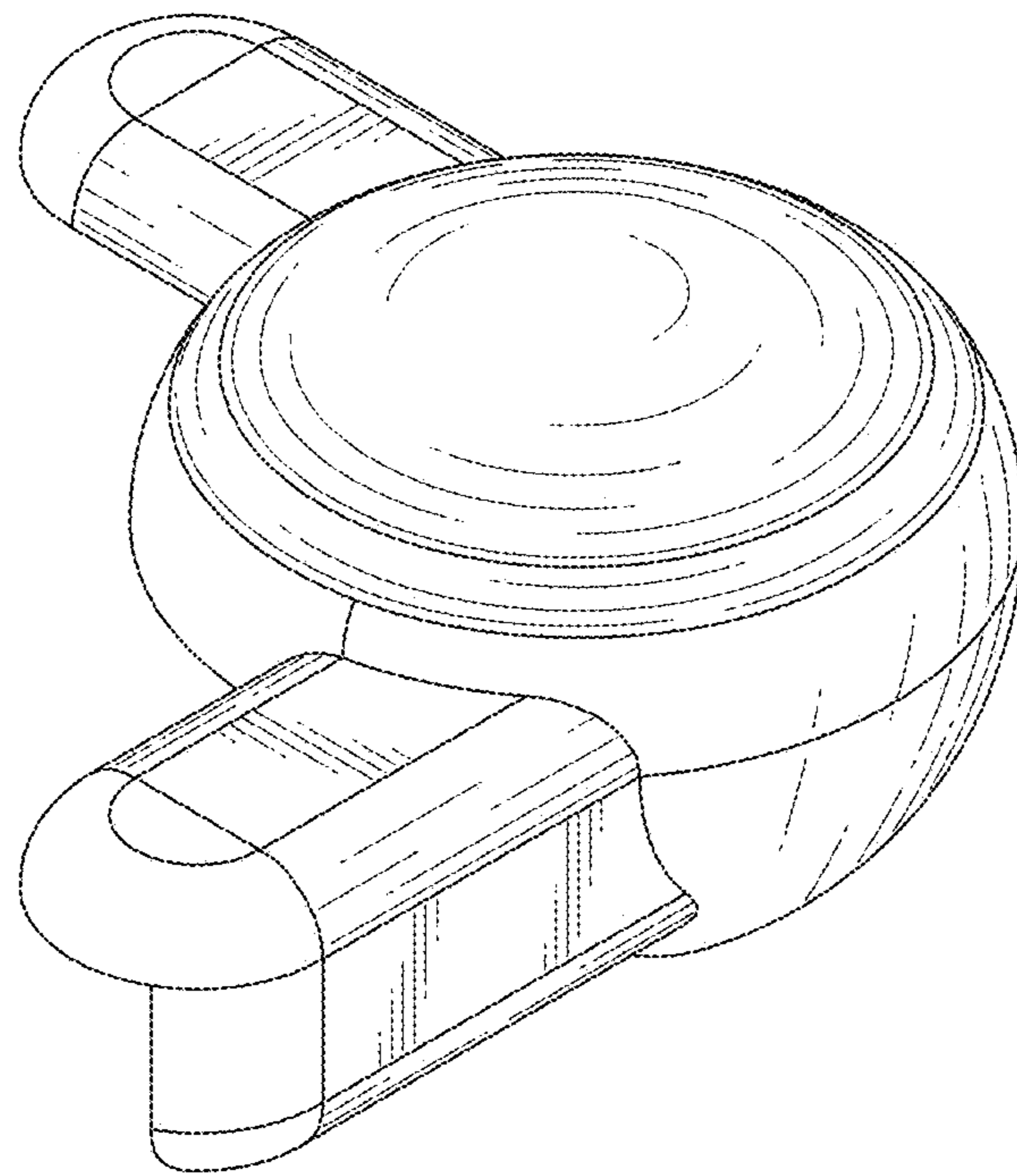


FIG. 8

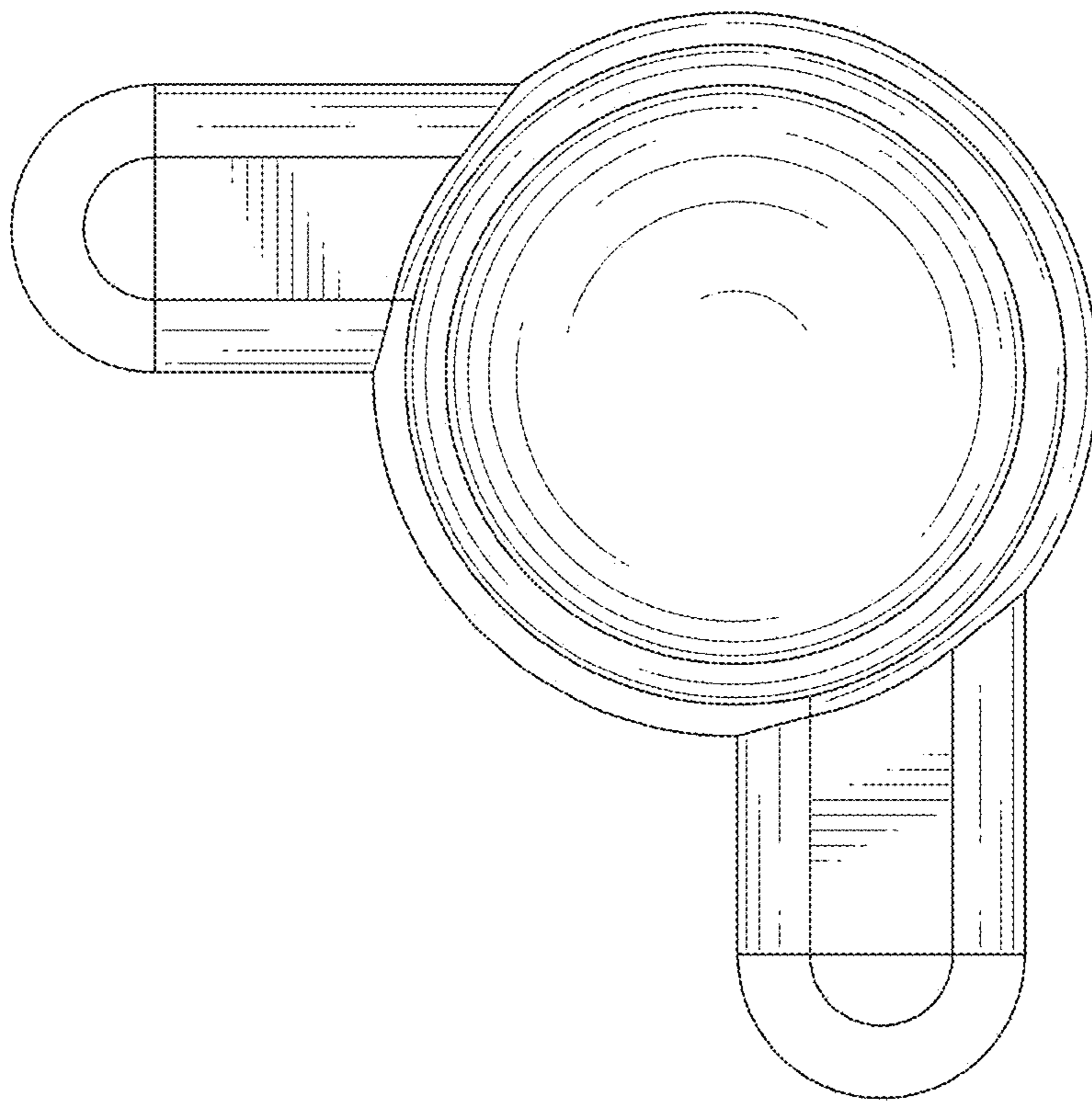


FIG. 9

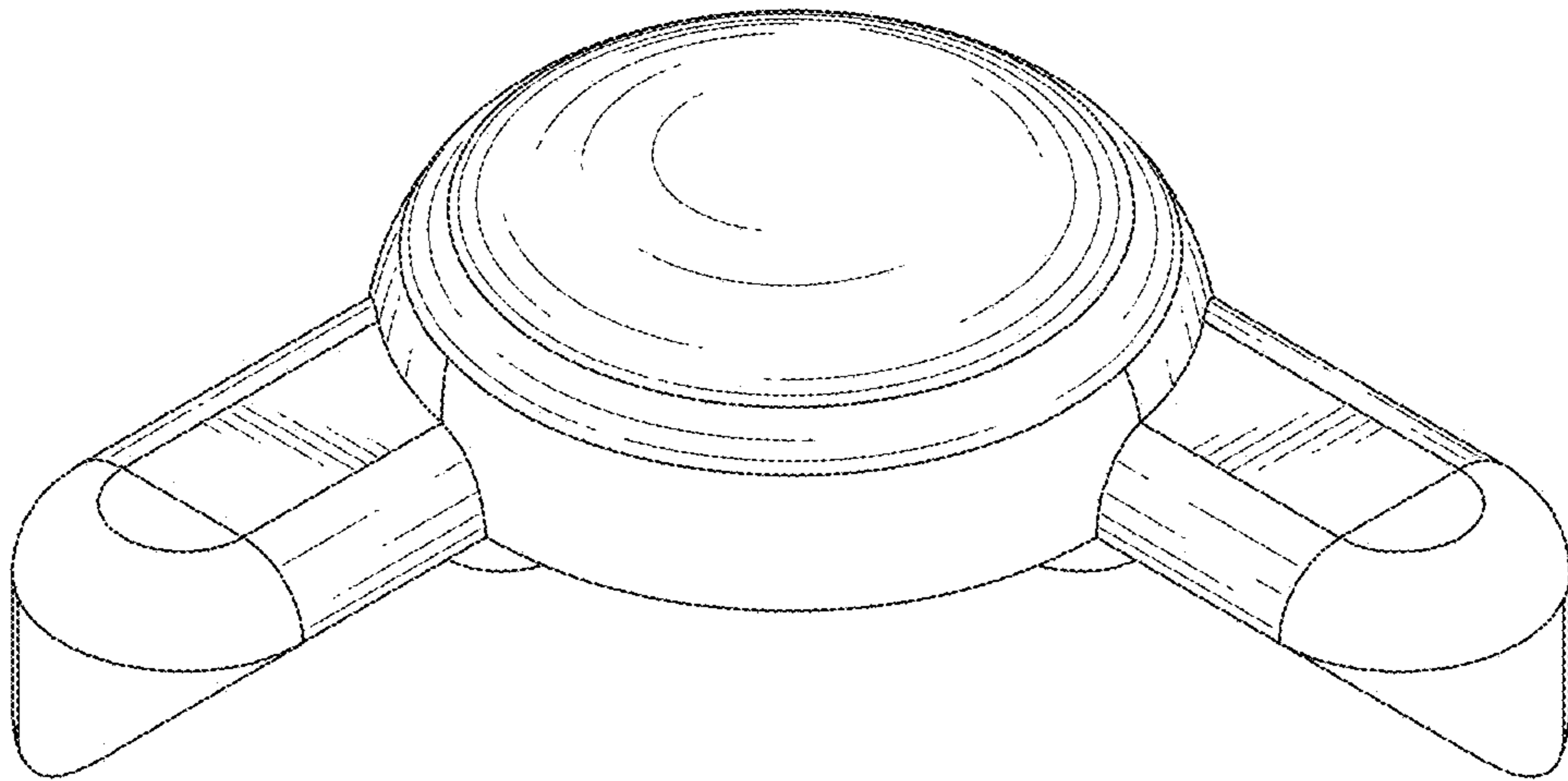


FIG. 10

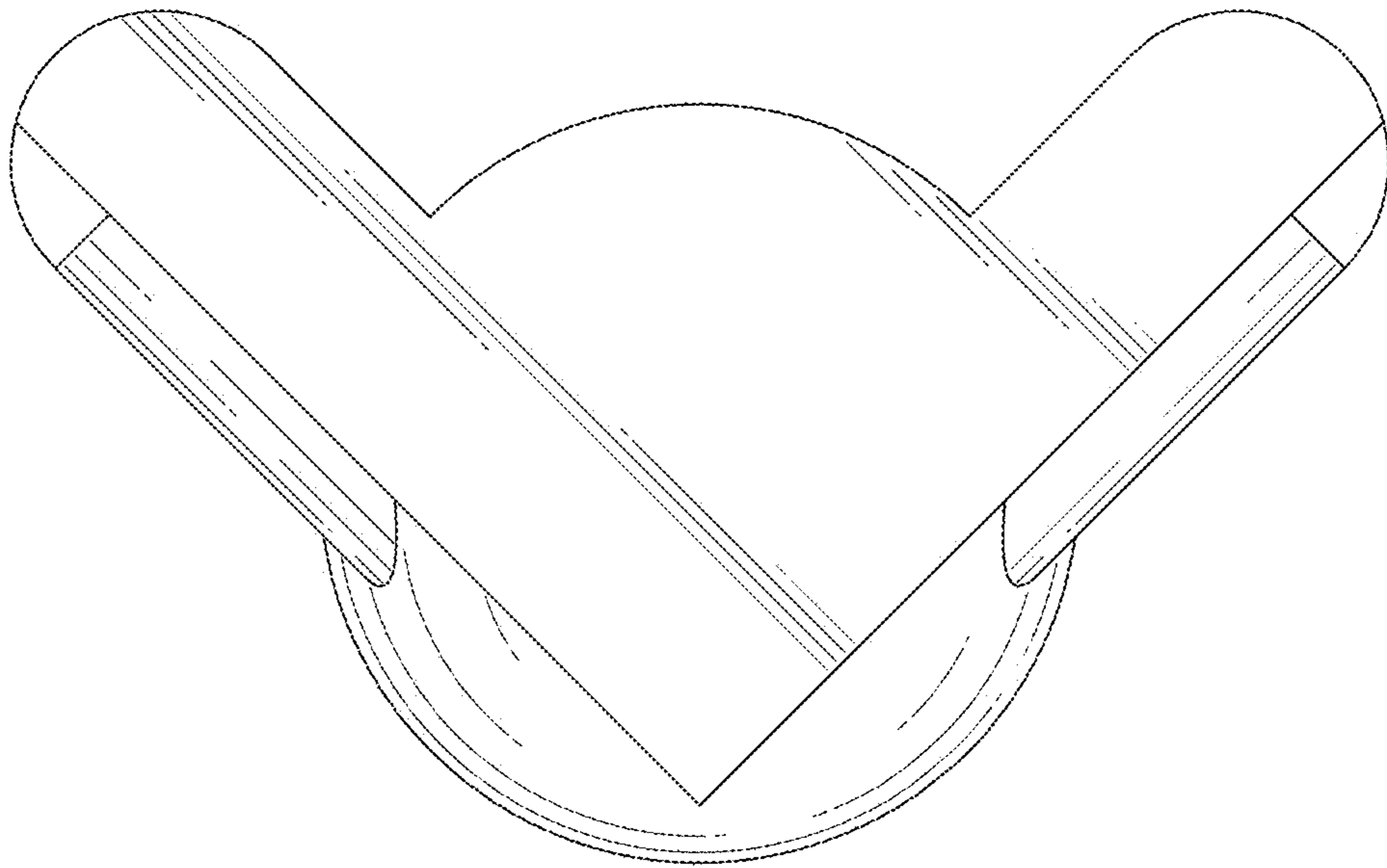


FIG. 11

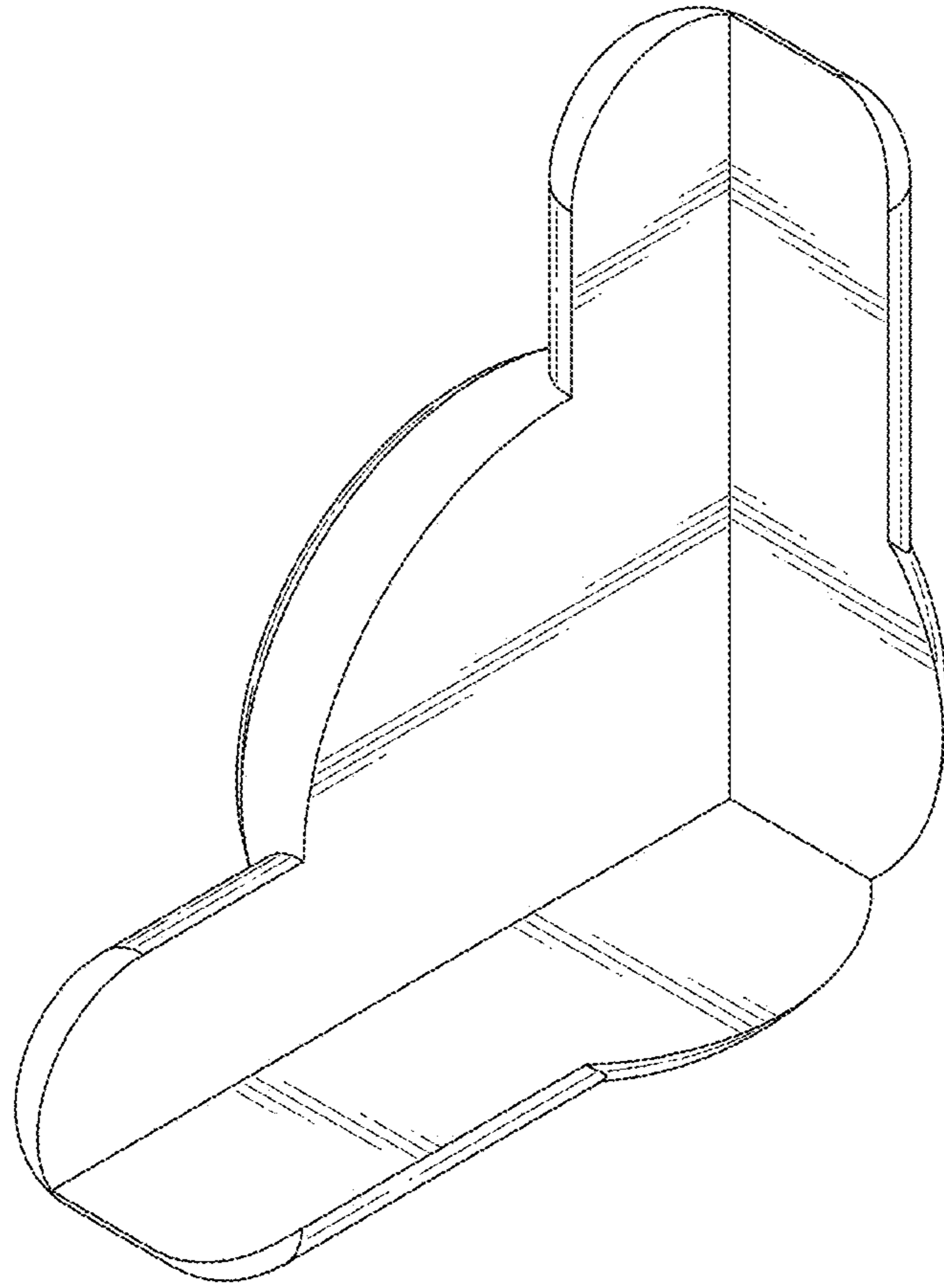


FIG. 12

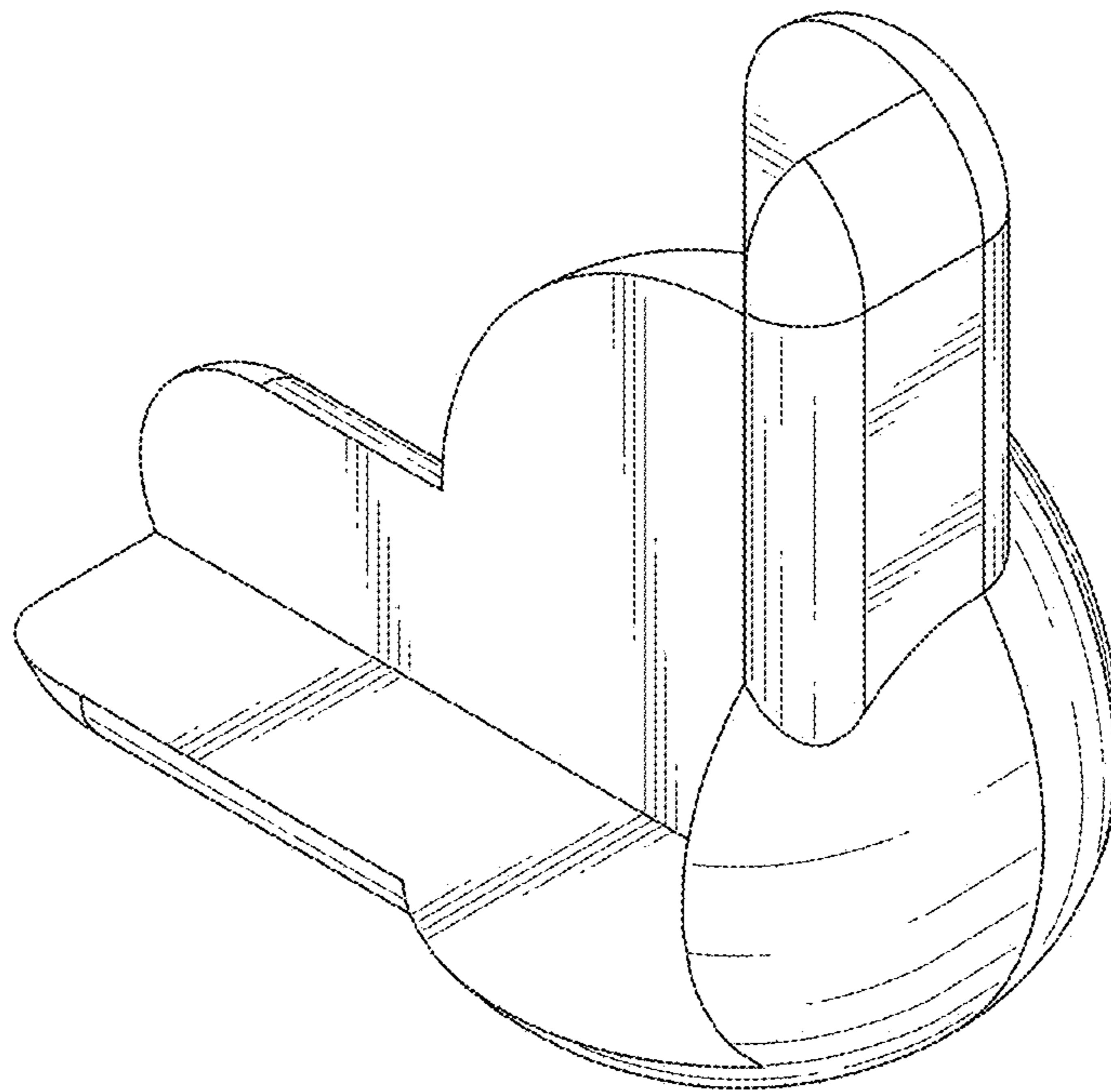


FIG. 13

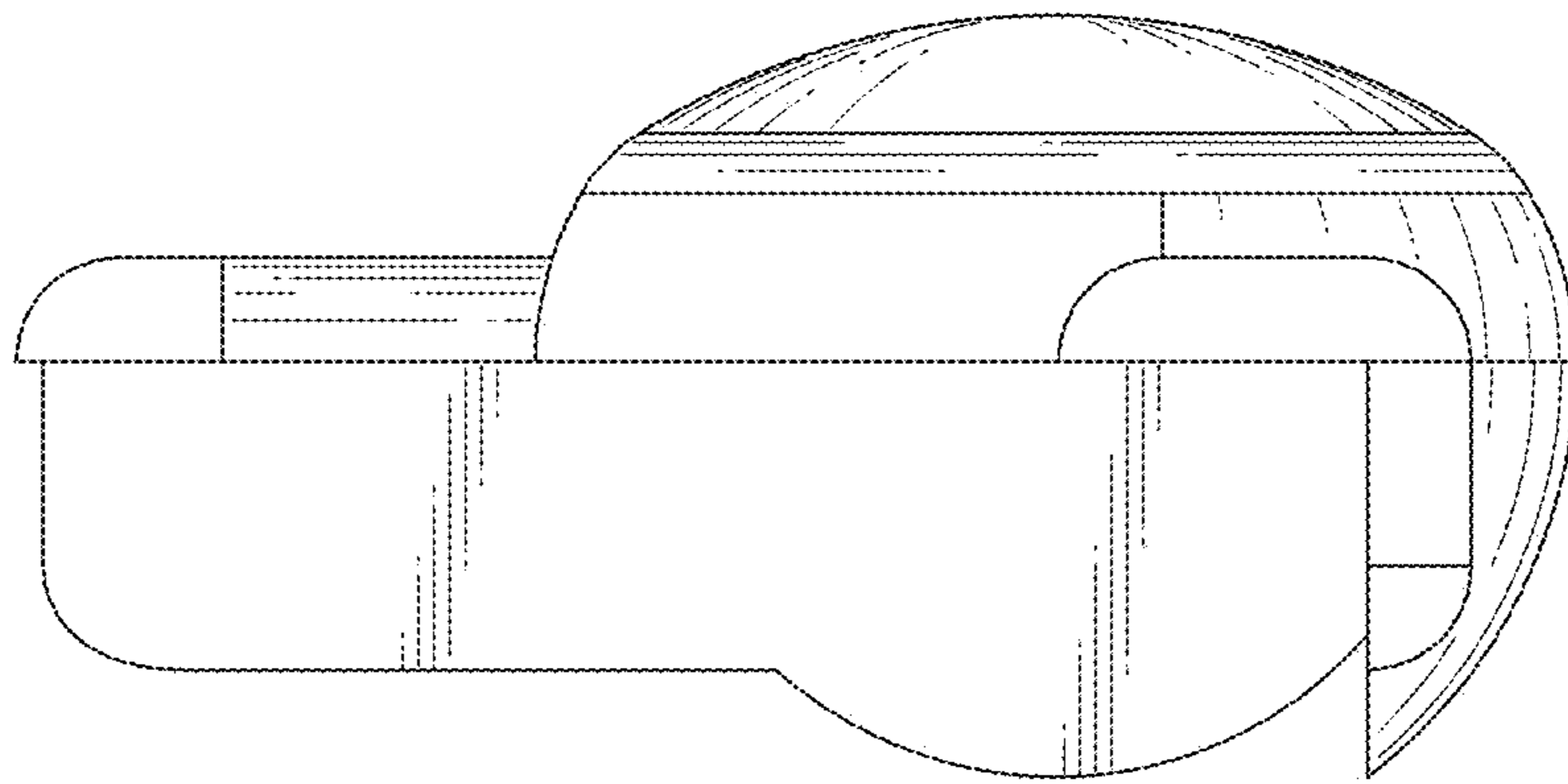


FIG. 14