



US00D995271S

(12) **United States Design Patent**
Horrell, III

(10) **Patent No.:** **US D995,271 S**
(45) **Date of Patent:** **** Aug. 15, 2023**

(54) **UTILITY POLE CROSSARM CONVERSION APPARATUS**

(71) Applicant: **Fred Joseph Horrell, III**, Marion, IL (US)

(72) Inventor: **Fred Joseph Horrell, III**, Marion, IL (US)

(**) Term: **15 Years**

(21) Appl. No.: **29/731,649**

(22) Filed: **Apr. 16, 2020**

Related U.S. Application Data

(63) Continuation-in-part of application No. 16/727,301, filed on Dec. 26, 2019, now Pat. No. 11,002,034.

(51) **LOC (14) Cl.** **08-05**

(52) **U.S. Cl.**
USPC **D8/364**

(58) **Field of Classification Search**
USPC D8/364
CPC E04H 12/08
See application file for complete search history.

(56) **References Cited**

U.S. PATENT DOCUMENTS

331,969 A * 12/1885 Hicks E04H 12/08
52/152
D326,604 S * 6/1992 Stubbersfield D8/373

2012/0130173 A1* 5/2012 Lutze A61B 17/00
600/146
2014/0020318 A1* 1/2014 Gonzalez Del Egido
E04H 12/08
52/295
2020/0330729 A1* 10/2020 Petitpierre A61M 25/0133

* cited by examiner

Primary Examiner — Eliza Z Harvey

(57) **CLAIM**

The ornamental design for a utility pole crossarm conversion apparatus, as shown and described.

DESCRIPTION

FIG. 1 is a front top left perspective view of a utility pole crossarm conversion apparatus;

FIG. 2 is a front top right perspective view thereof;

FIG. 3 is a rear bottom right perspective view thereof;

FIG. 4 is a front elevational view thereof;

FIG. 5 is a rear elevational view thereof;

FIG. 6 is a top plan view thereof;

FIG. 7 is a bottom plan view thereof;

FIG. 8 is a left elevational view thereof;

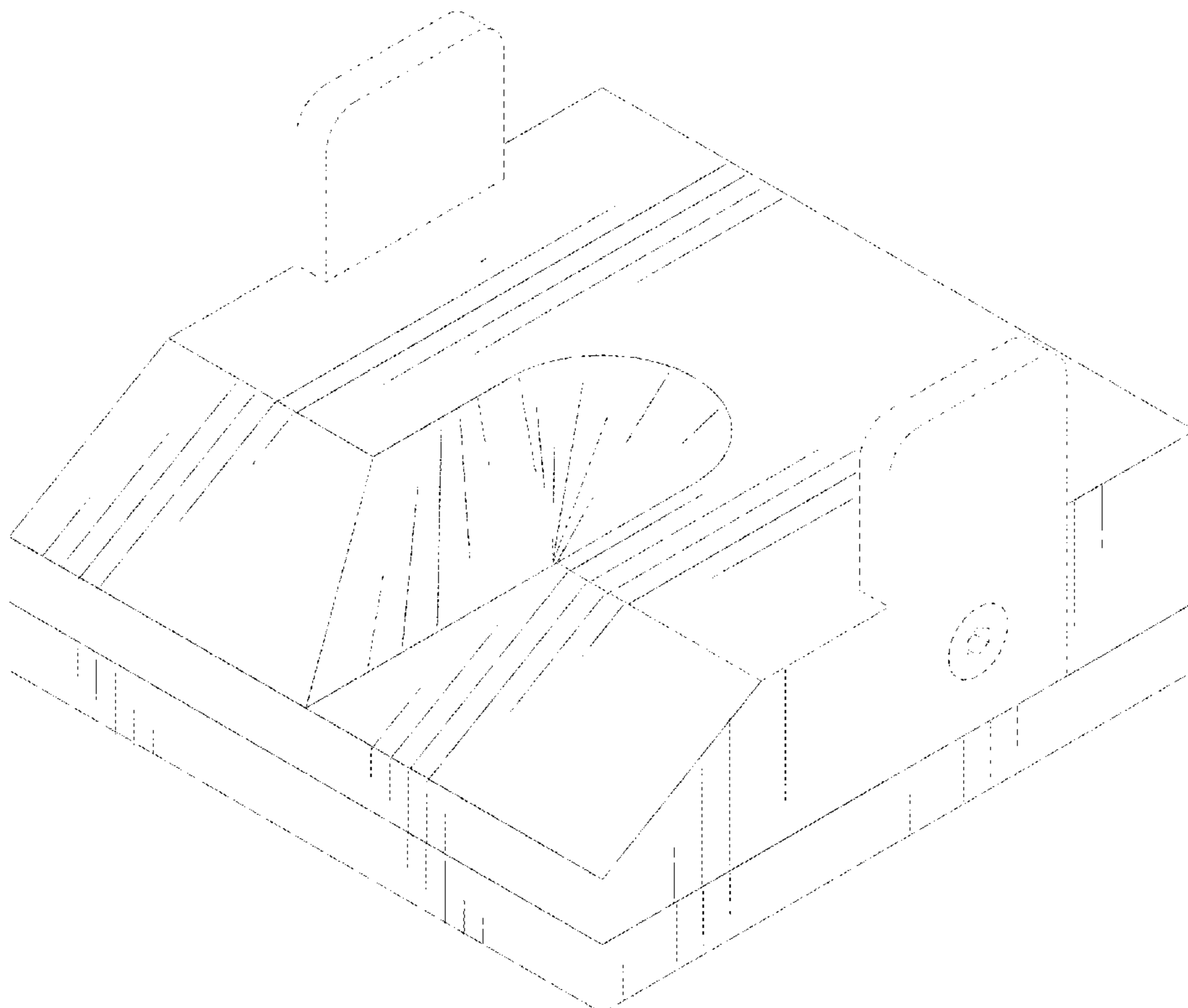
FIG. 9 is a right elevational view thereof;

FIG. 10 is a front left right perspective view of the present invention in an environment of use; and,

FIG. 11 is a rear bottom right perspective view of the present invention in an environment of use.

The broken line showing a fastener and wings in FIGS. 10-11, and an opening in FIGS. 3, 5, and 11, are included for the purpose of illustrating environmental structure and forms no part of the claimed design.

1 Claim, 11 Drawing Sheets



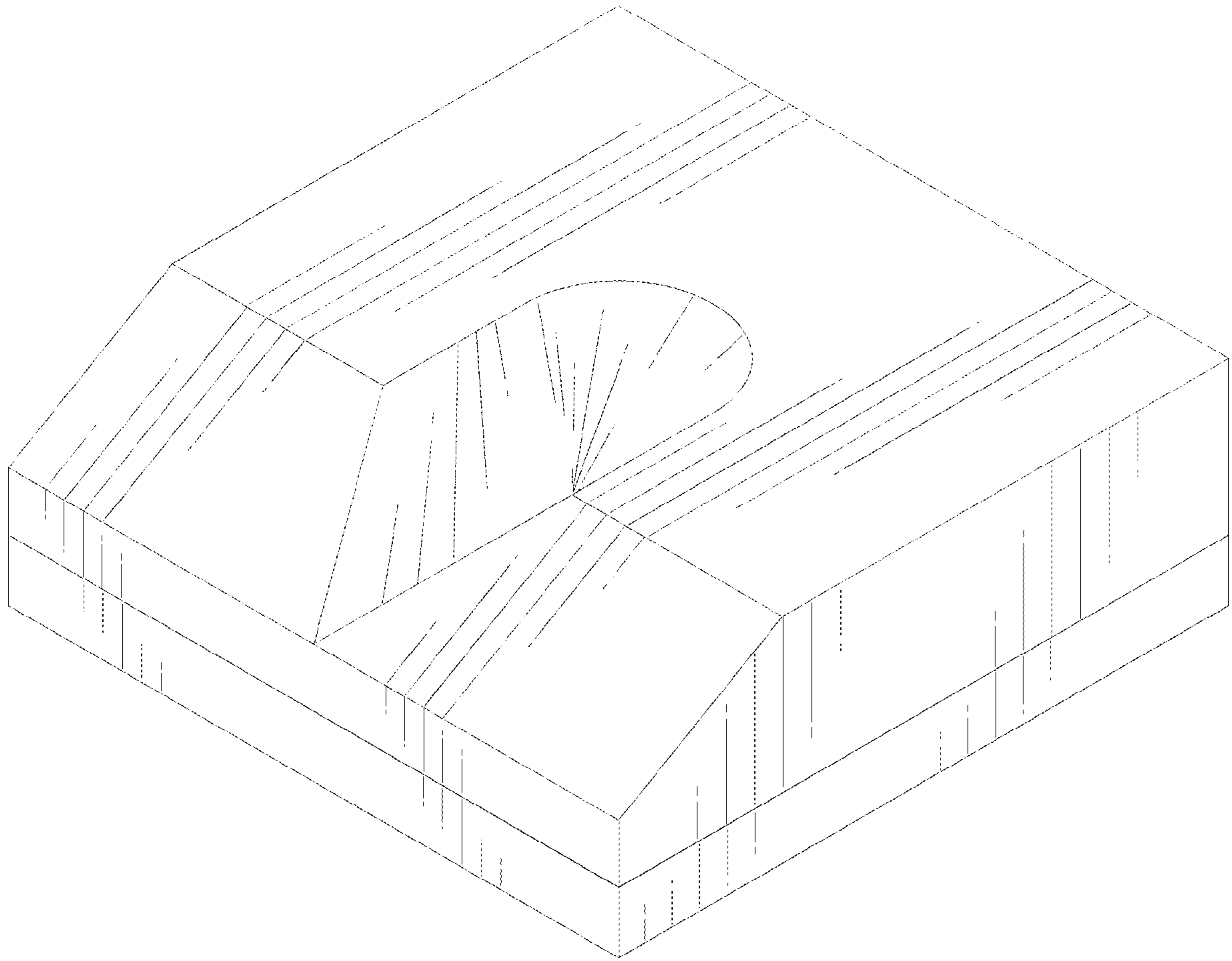


FIG. 1

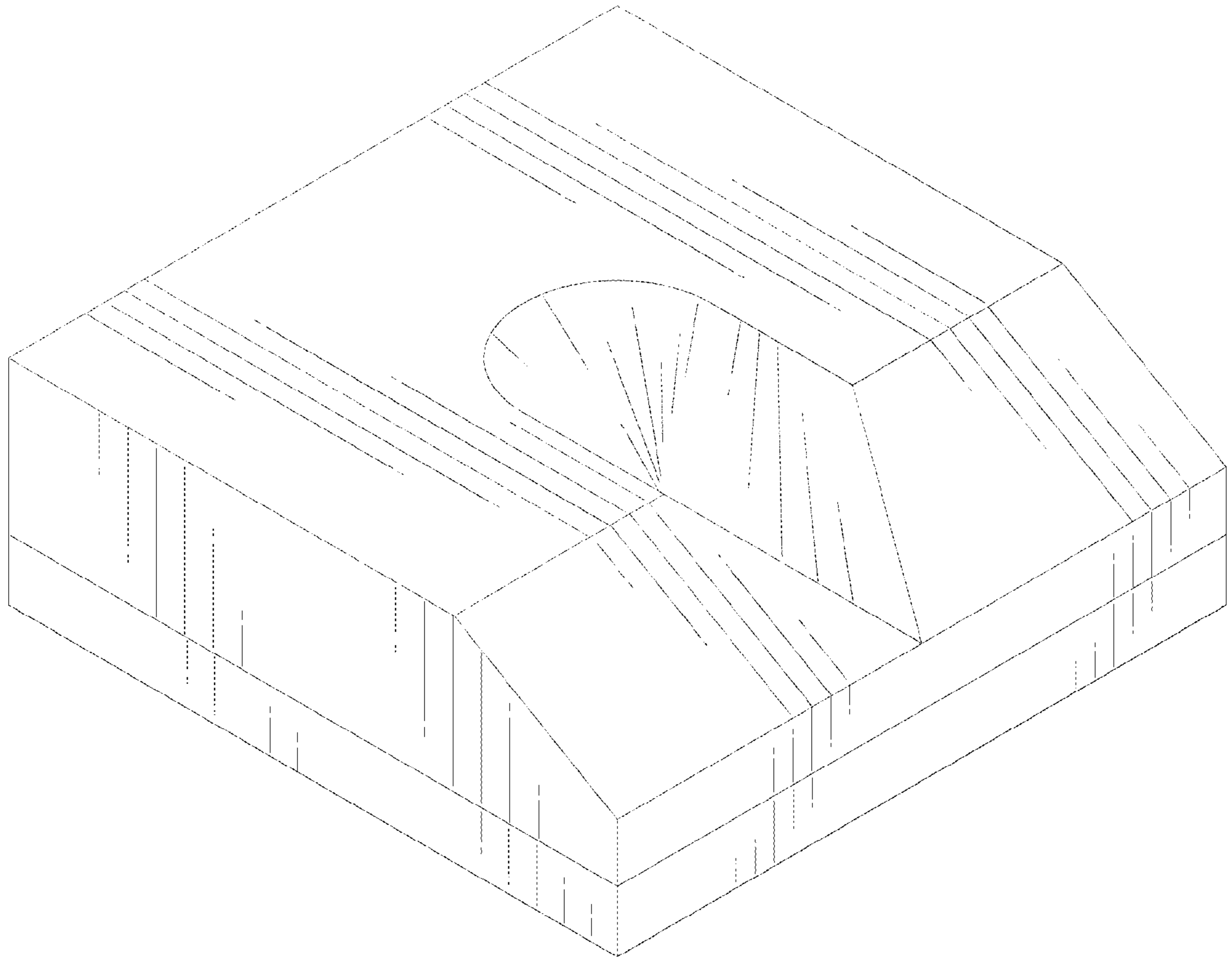


FIG. 2

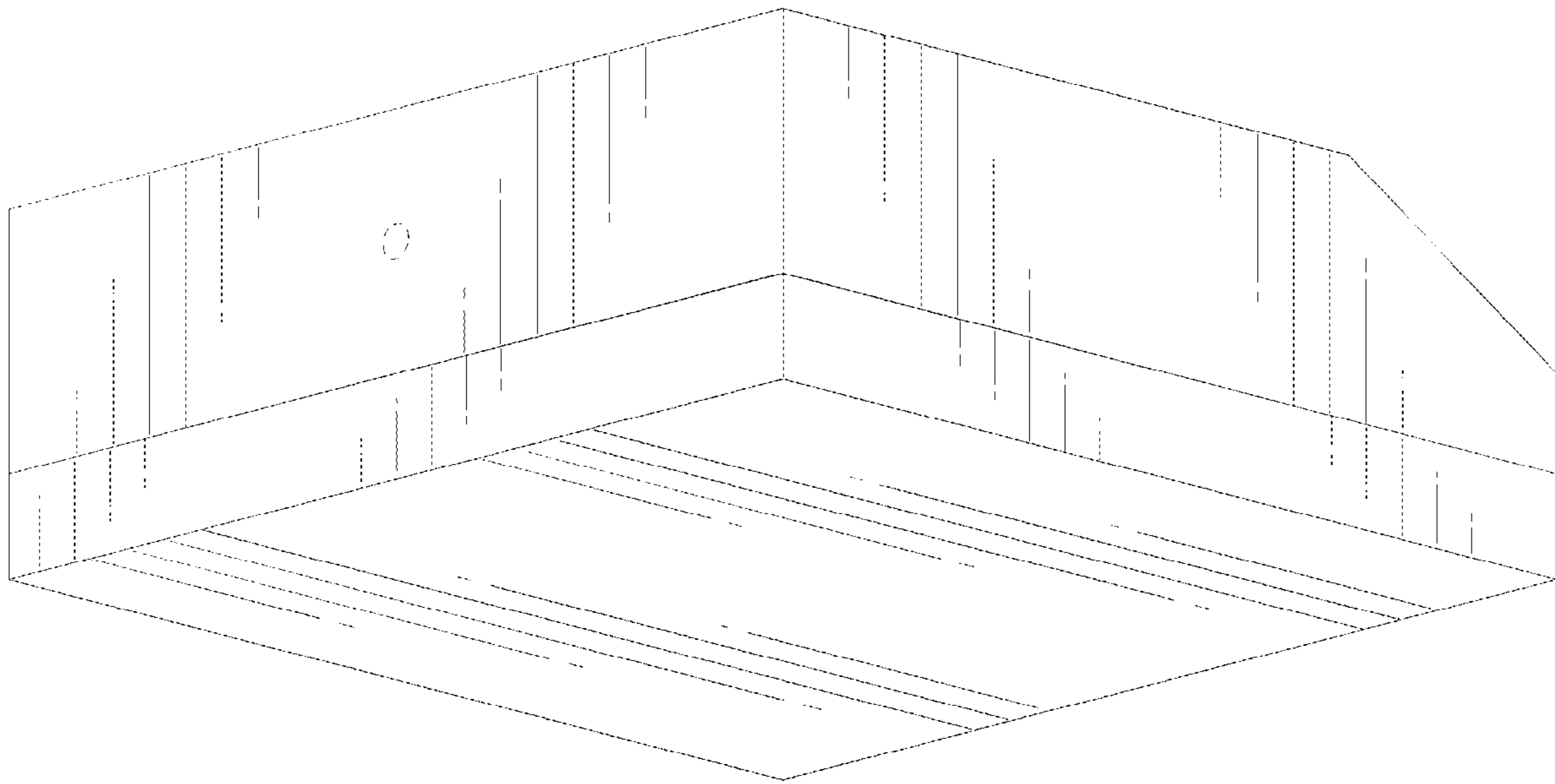


FIG. 3

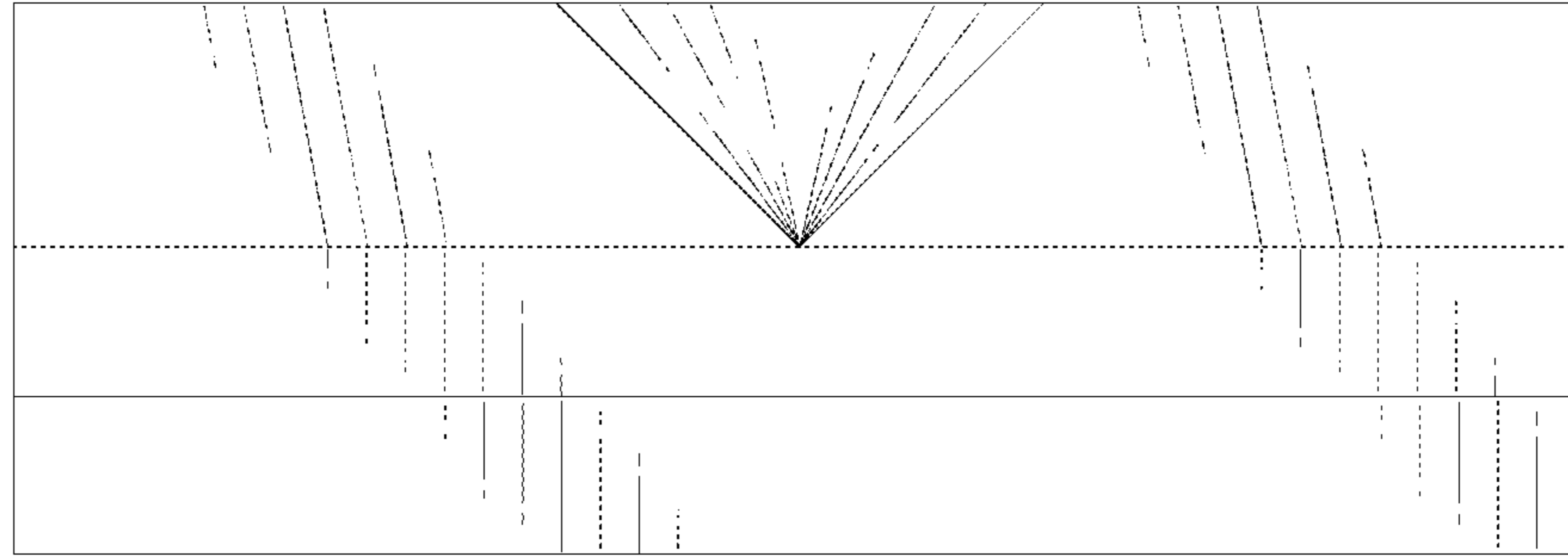


FIG. 4

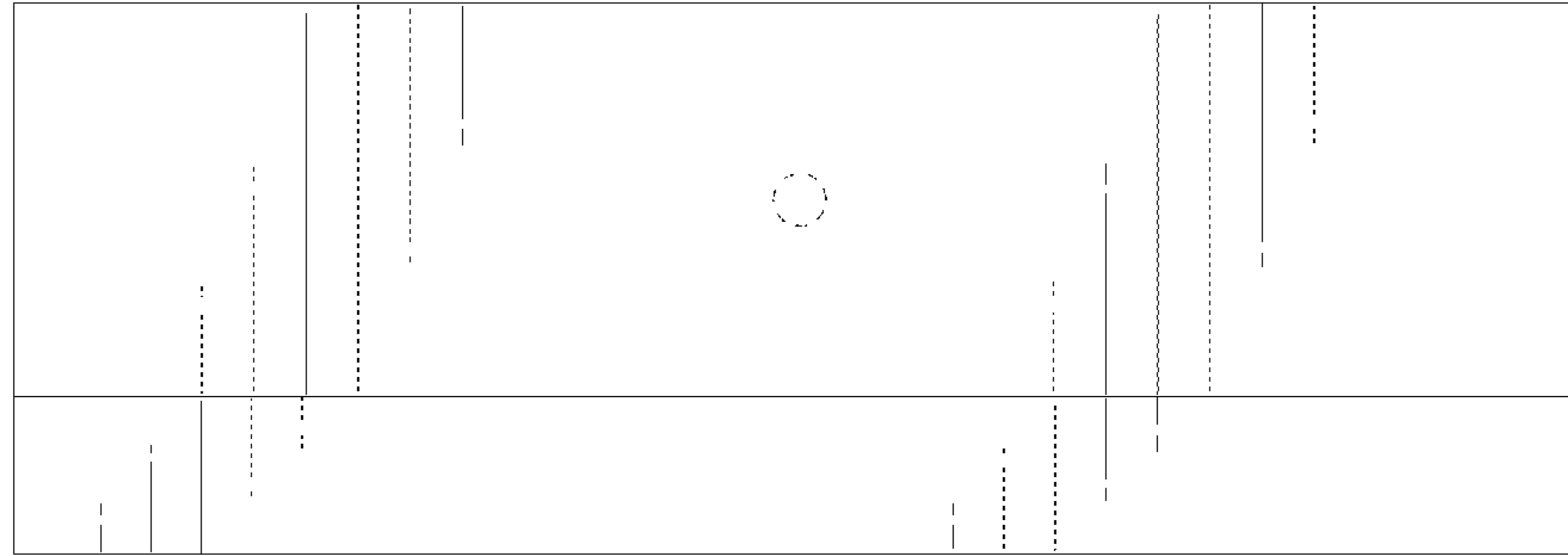


FIG. 5

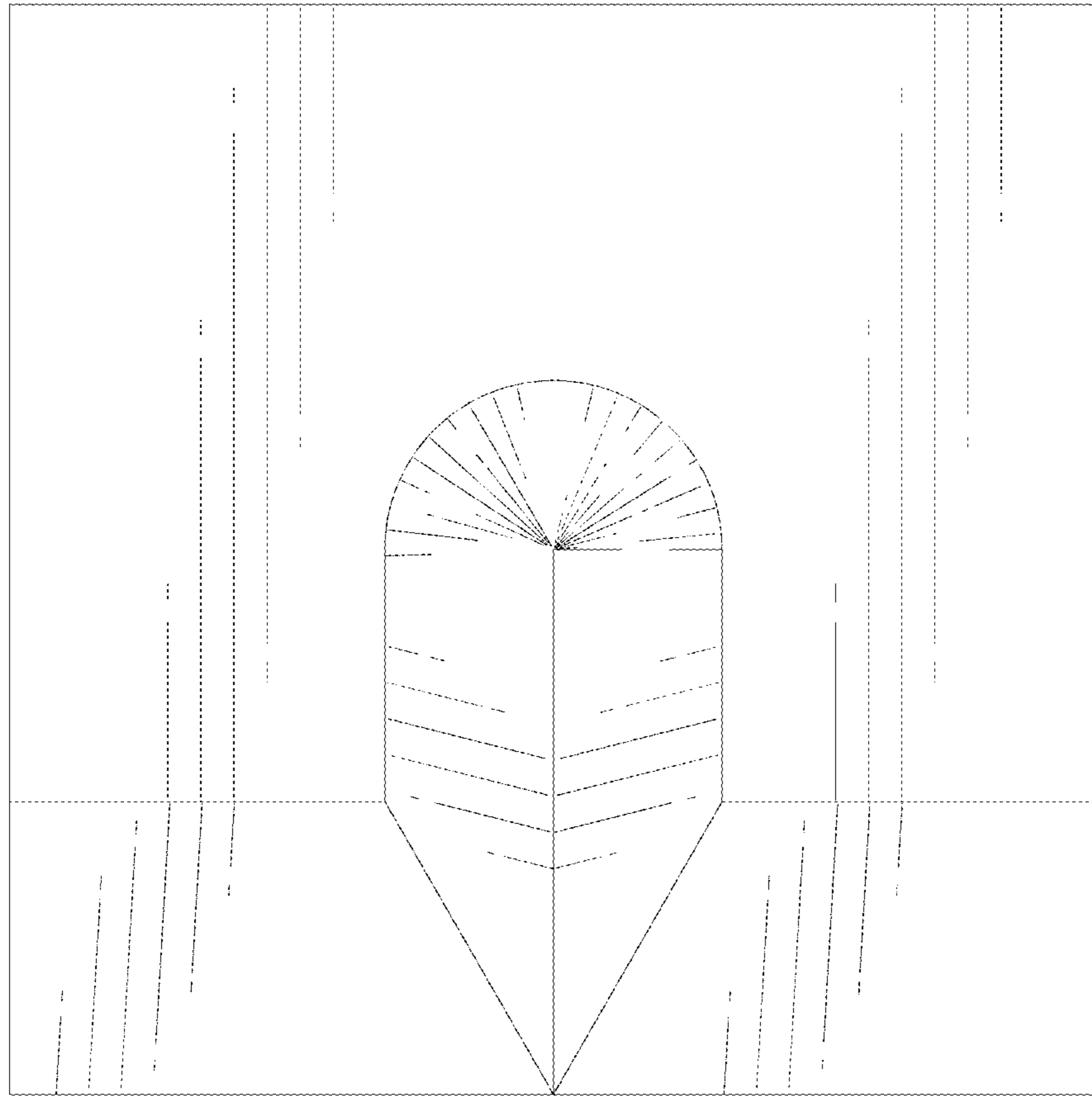


FIG. 6

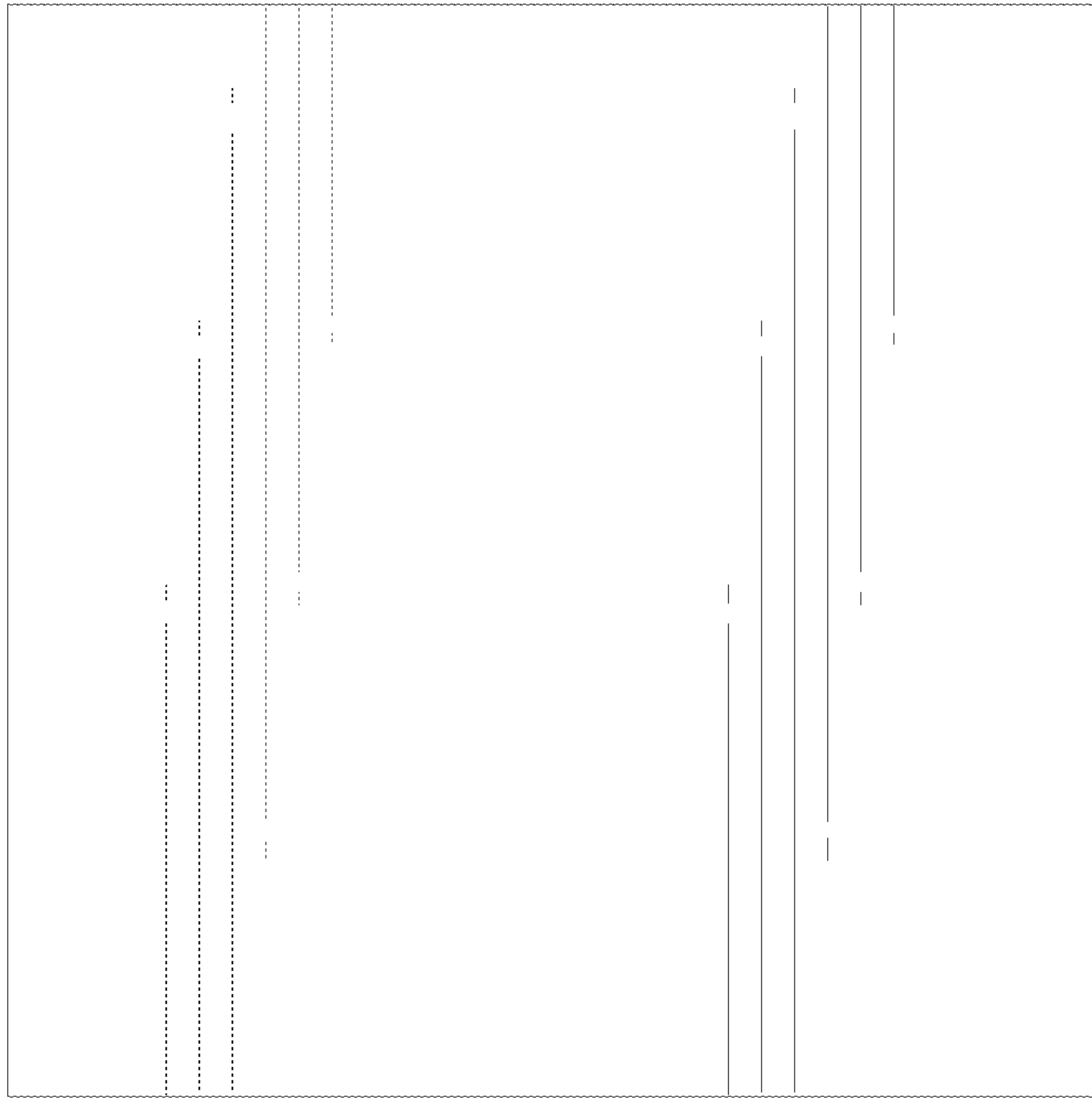


FIG. 7

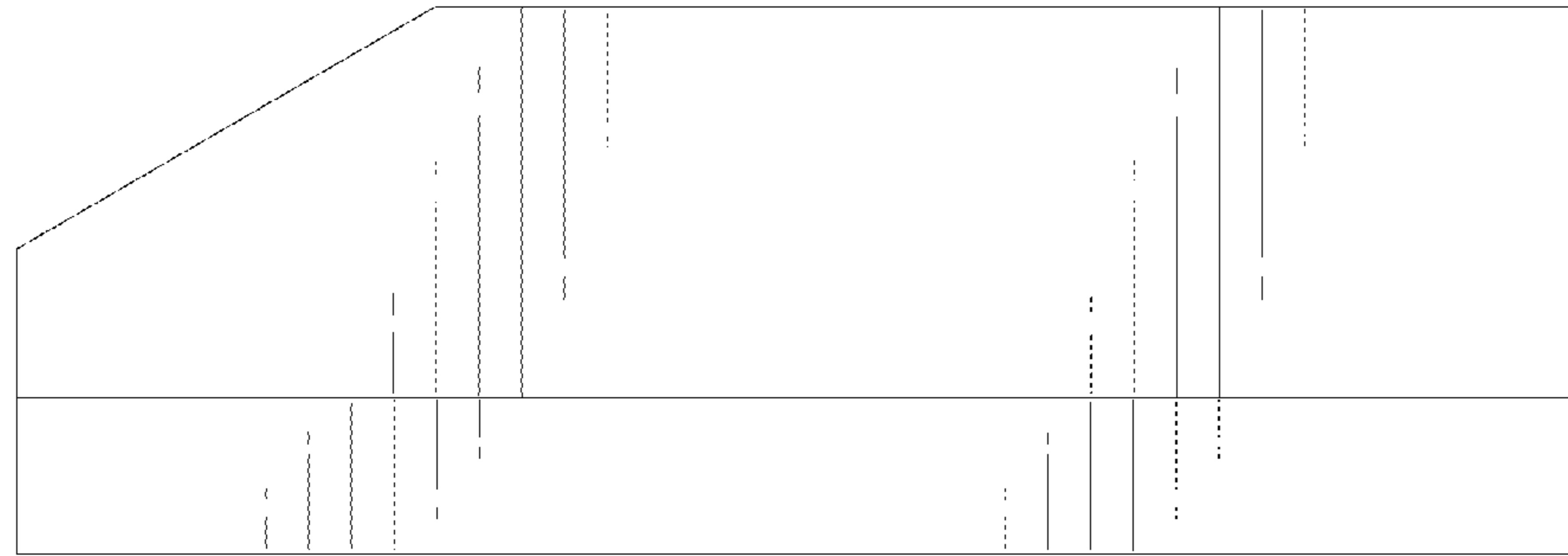


FIG. 8



FIG. 9

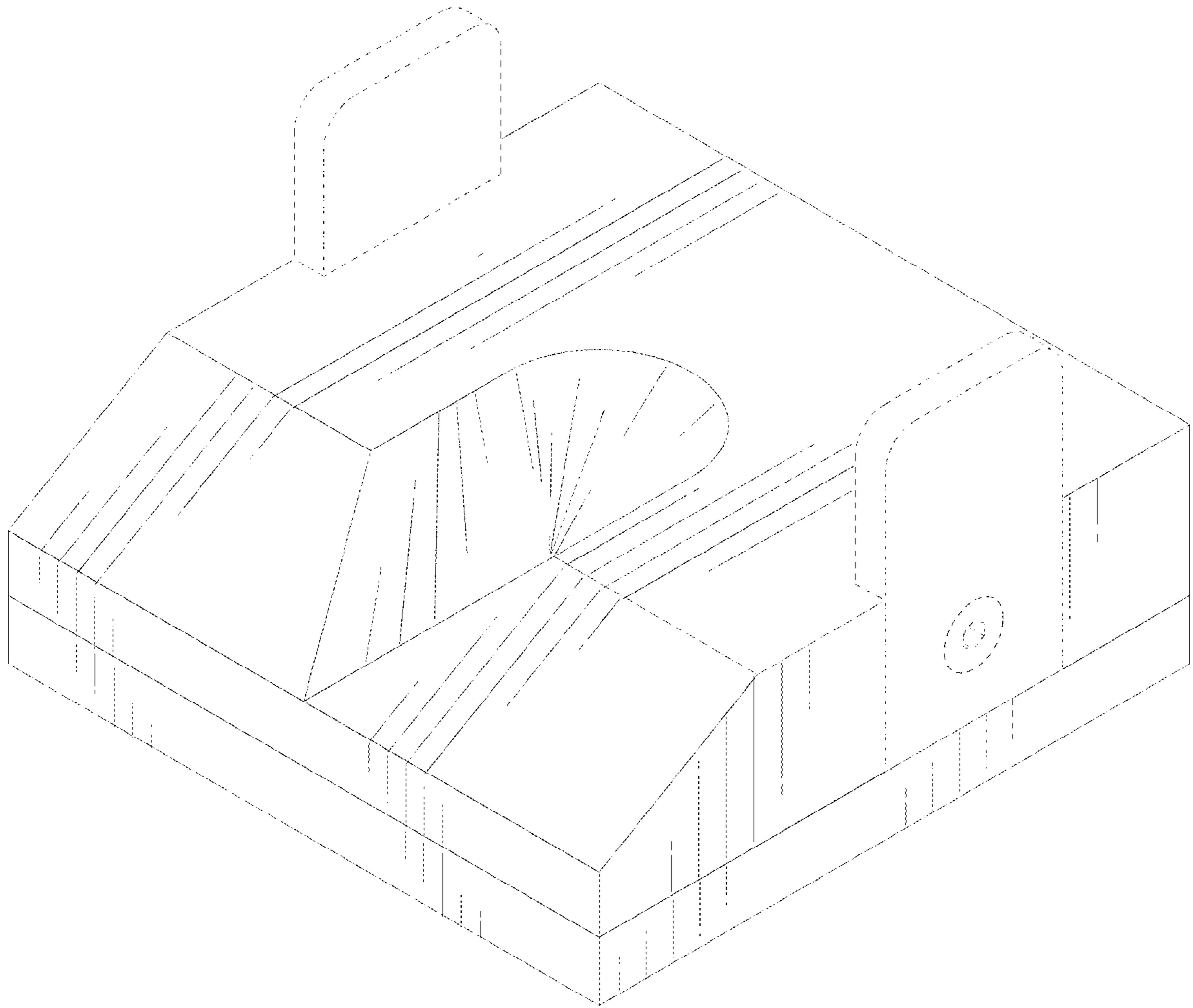


FIG. 10

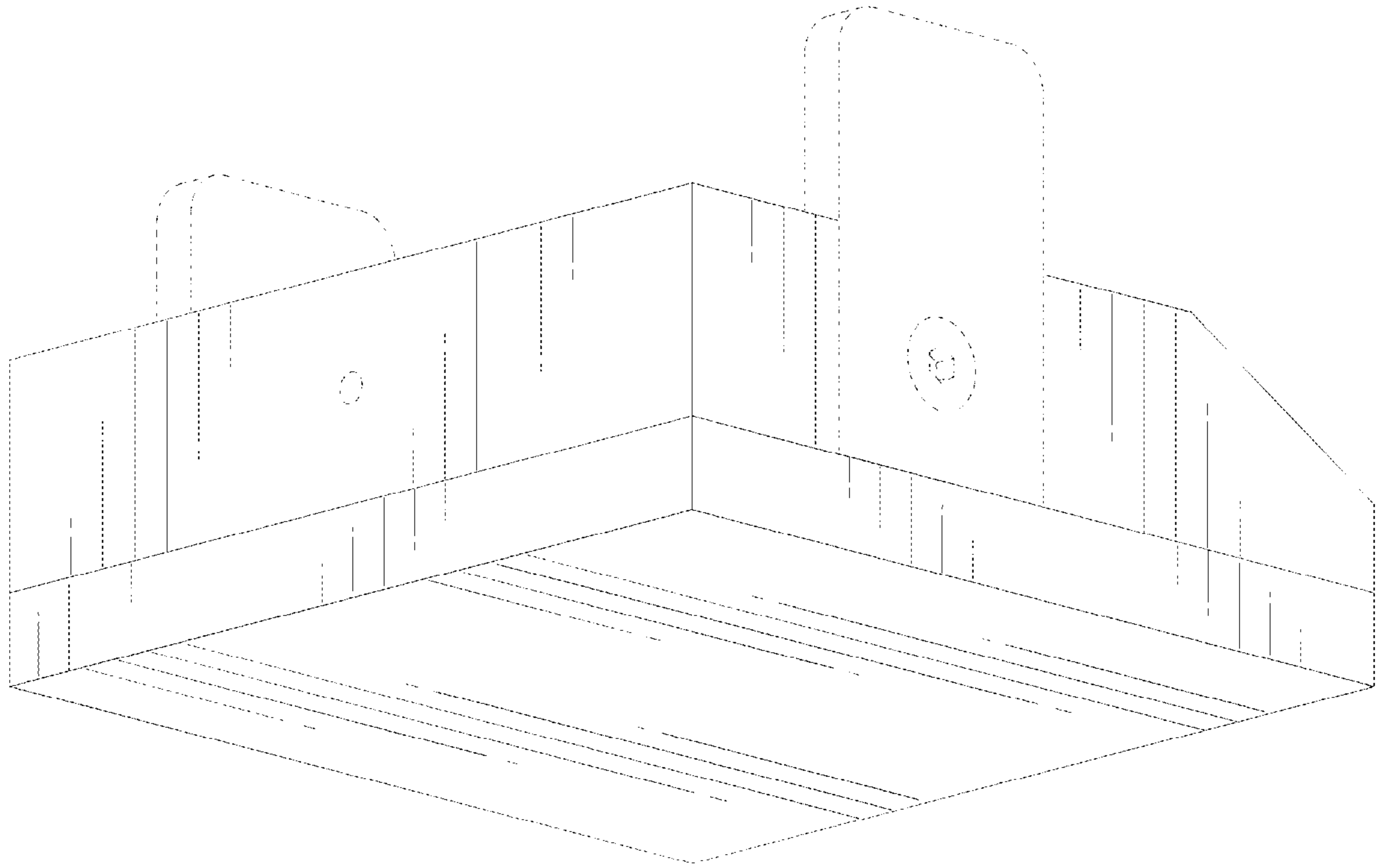


FIG. 11