



US00D995245S

(12) **United States Design Patent**
Trucksess

(10) **Patent No.:** **US D995,245 S**

(45) **Date of Patent:** **** Aug. 15, 2023**

(54) **AIR GUN**

(71) Applicant: **James Trucksess**, North Brunswick, NJ
(US)

(72) Inventor: **James Trucksess**, North Brunswick, NJ
(US)

(**) Term: **15 Years**

(21) Appl. No.: **29/800,040**

(22) Filed: **Jul. 19, 2021**

(51) **LOC (14) Cl.** **10-04**

(52) **U.S. Cl.**
USPC **D10/86**

(58) **Field of Classification Search**
USPC D10/86; D15/7; D23/213, 223, 226;
D8/70, 14
CPC F16L 37/35; F16L 37/1215; F16L 37/32;
B60S 5/04; Y10T 137/3724
See application file for complete search history.

(56) **References Cited**

U.S. PATENT DOCUMENTS

- D179,526 S * 1/1957 Price D10/86
- D259,863 S * 7/1981 Eller D10/86
- D314,159 S * 1/1991 O'Connor B60S 5/043
D10/86
- 5,832,974 A * 11/1998 Jou B08B 5/02
141/38
- D496,602 S * 9/2004 Shipman D10/86
- D681,491 S * 5/2013 Stansbury B60C 29/04
D10/85
- D834,975 S * 12/2018 Davis B60C 29/064
D10/86

- 10,245,911 B1 * 4/2019 Crymble B60C 29/064
- 2007/0295075 A1 * 12/2007 Kiefer B60S 5/043
73/146.8
- 2008/0190489 A1 * 8/2008 Wrubel F16L 37/35
251/149.1
- 2008/0196789 A1 * 8/2008 Hartl B29C 73/166
141/38
- 2009/0188570 A1 * 7/2009 Lin B60S 5/04
137/231
- 2013/0299043 A1 * 11/2013 Huang B60S 5/04
141/38
- 2020/0216041 A1 * 7/2020 Winston B60S 5/04
- 2021/0129605 A1 * 5/2021 Huang B60C 29/04
- 2021/0370415 A1 * 12/2021 Soltmann B60C 29/002

* cited by examiner

Primary Examiner — Philip S Hyder

(74) *Attorney, Agent, or Firm* — Barry Choobin; Patent
360

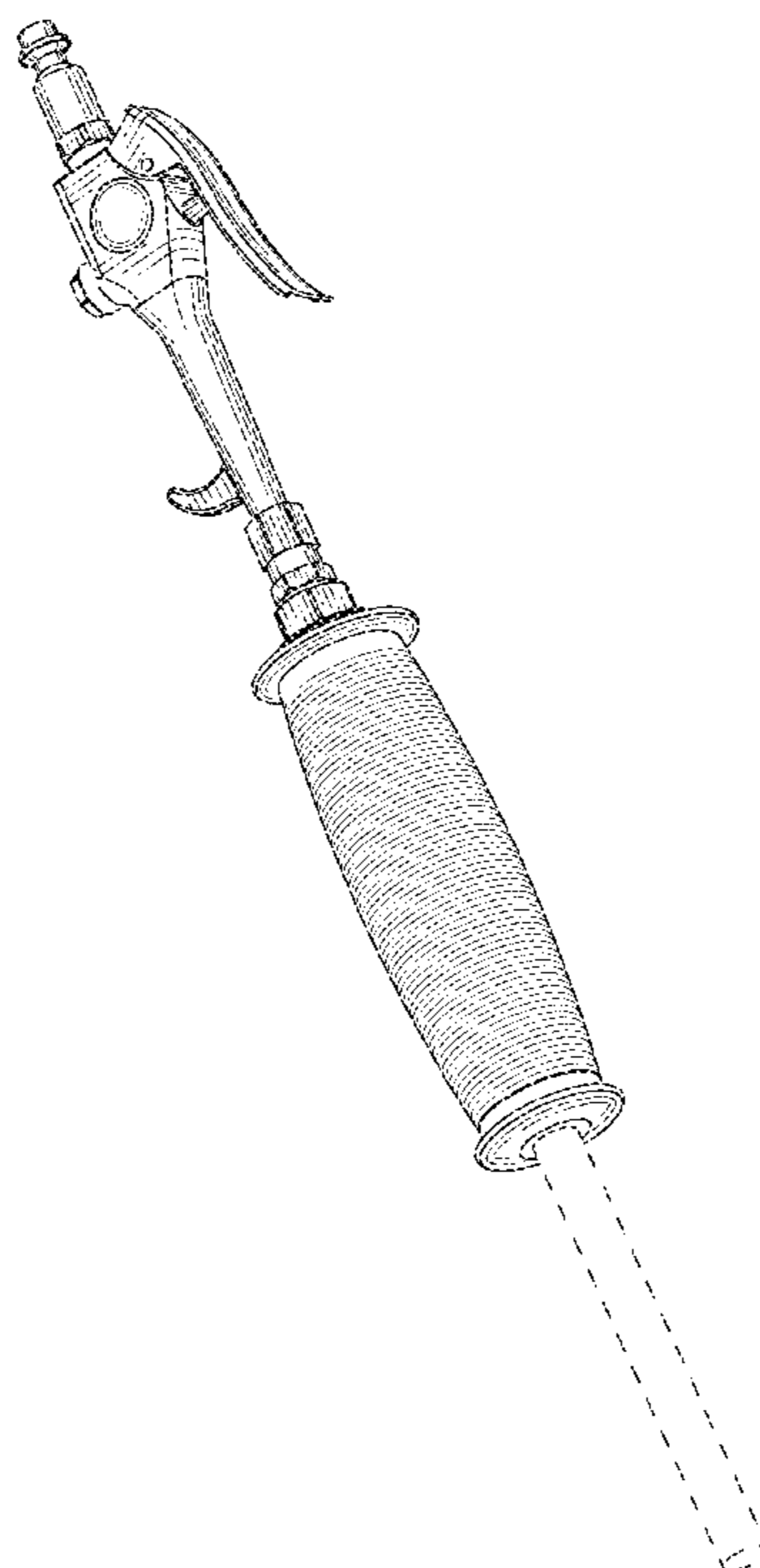
(57) **CLAIM**

The ornamental design for an air gun, as shown and
described.

DESCRIPTION

FIG. 1 is a perspective view of an air gun, showing my new
design;
FIG. 2 is a front view thereof;
FIG. 3 is a rear view thereof;
FIG. 4 is a right-side elevation view thereof;
FIG. 5 is a left-side elevation view thereof;
FIG. 6 is a bottom plan view thereof; and,
FIG. 7 is a top plan view thereof.

1 Claim, 7 Drawing Sheets



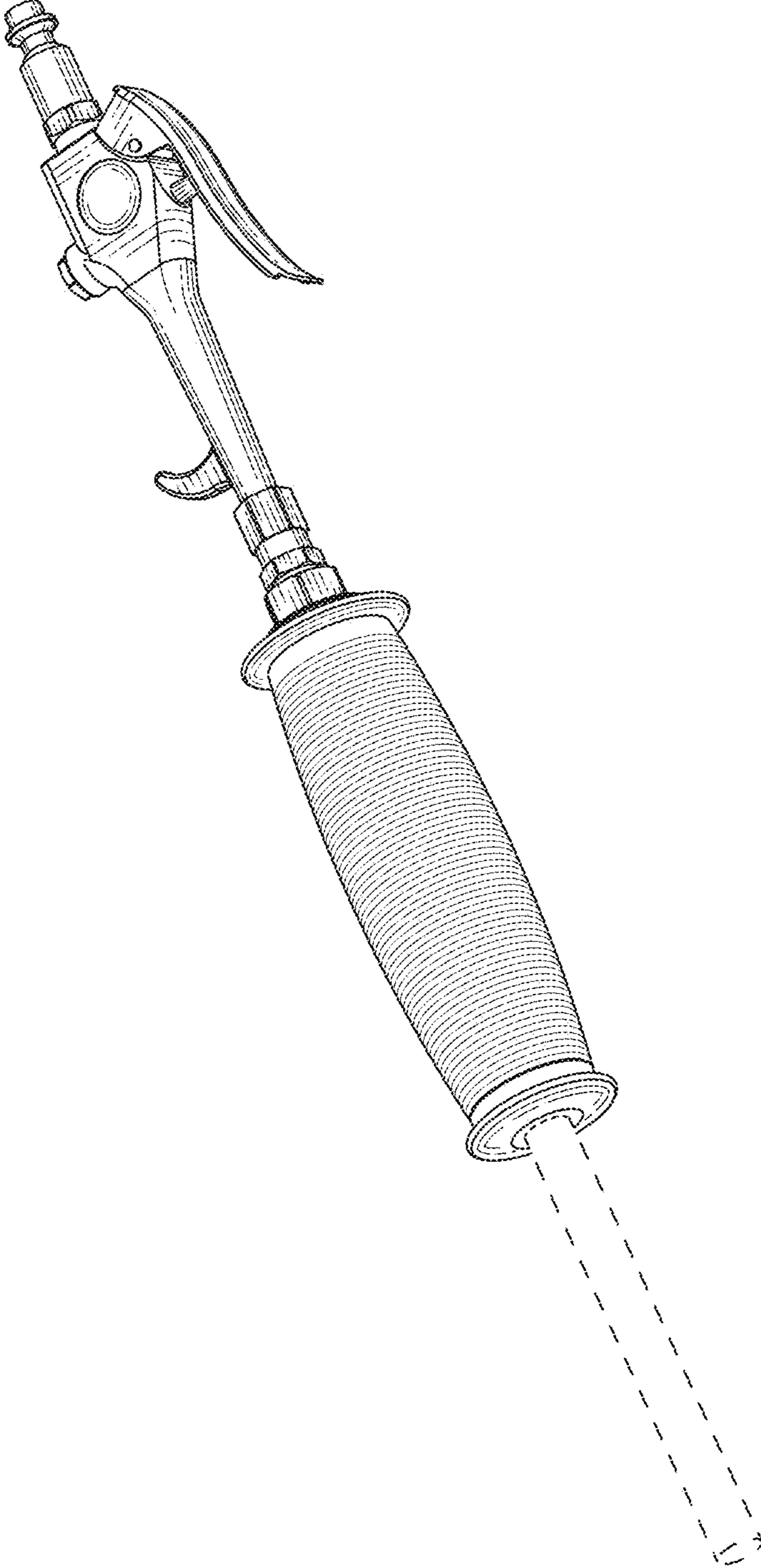


FIG.1

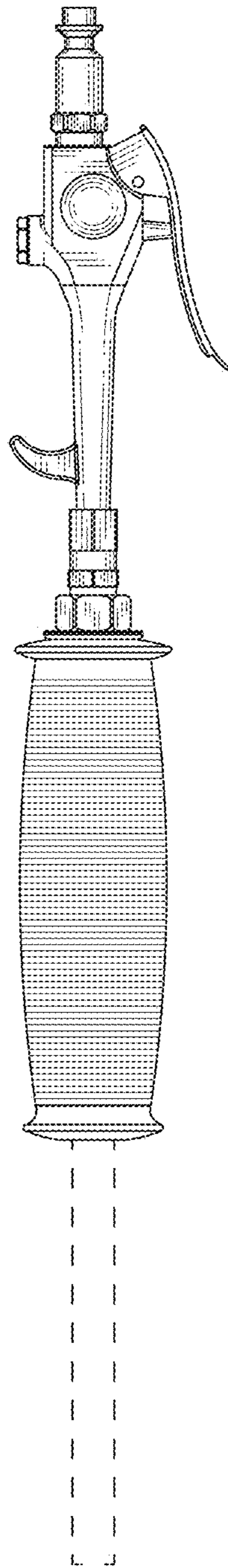


FIG.2

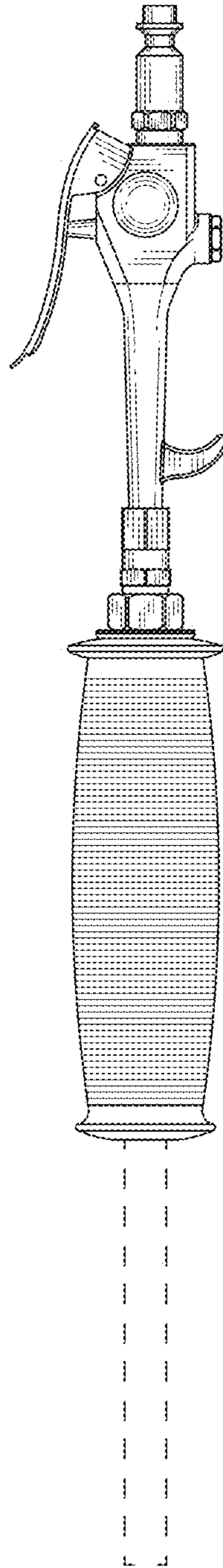


FIG.3

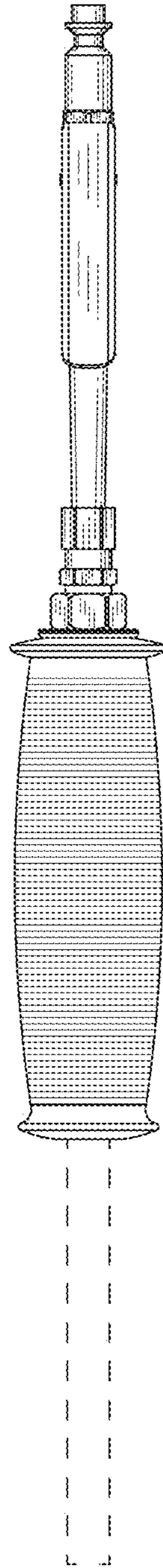


FIG.4

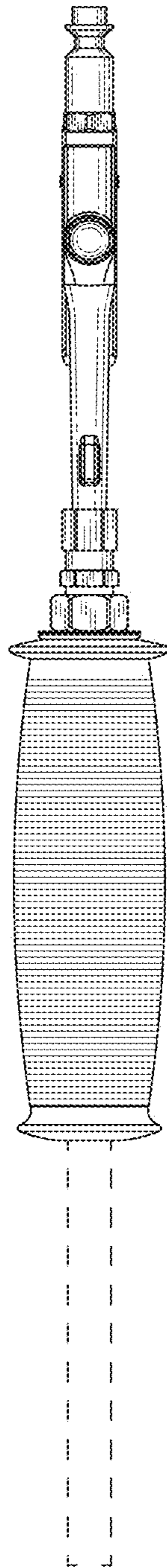


FIG.5

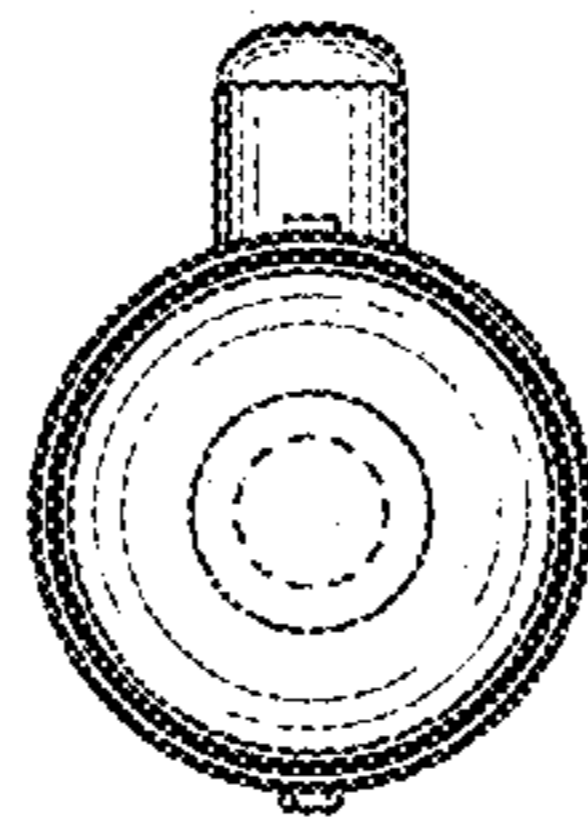


FIG.6

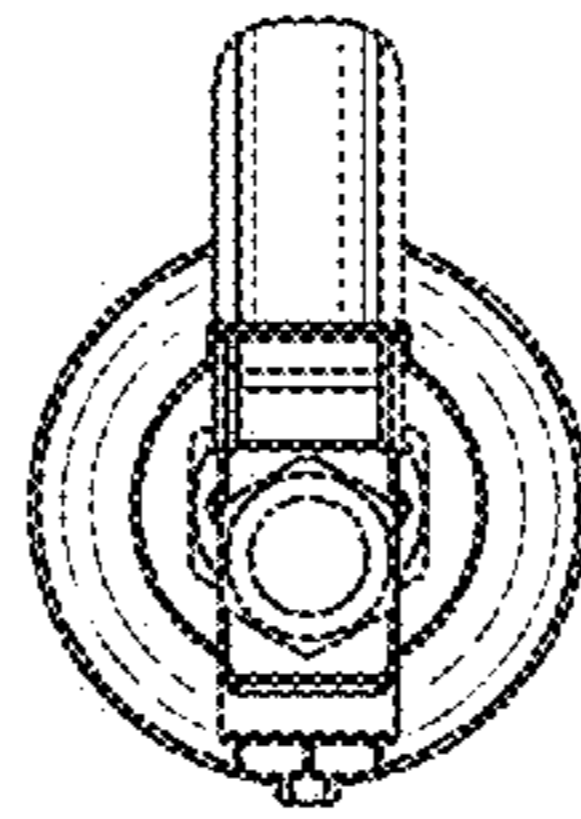


FIG.7