



US00D995241S

(12) **United States Design Patent**
Talbert

(10) **Patent No.:** **US D995,241 S**
(45) **Date of Patent:** **** Aug. 15, 2023**

(54) **HILLSIDE PLANTER DAM**
(71) Applicant: **Colleen Marcella Talbert**, Thousand Oaks, CA (US)
(72) Inventor: **Colleen Marcella Talbert**, Thousand Oaks, CA (US)

8,826,588 B1 9/2014 MacKichan et al.
10,004,181 B2 6/2018 Stewart et al.
10,085,394 B2 10/2018 Al-Anzi
10,426,101 B2 * 10/2019 Galdi A01G 9/0291
10,619,353 B1 4/2020 Scharr
D904,483 S * 12/2020 Gleason D30/129
D969,574 S * 11/2022 Talbert A01G 9/28
D11/143
2020/0178479 A1 6/2020 Talbert

(**) Term: **15 Years**

(21) Appl. No.: **29/866,838**

(22) Filed: **Sep. 29, 2022**

Related U.S. Application Data

(63) Continuation-in-part of application No. 29/689,462, filed on Apr. 30, 2019, now Pat. No. Des. 969,574.
(51) **LOC (14) Cl.** **08-01**
(52) **U.S. Cl.**
USPC **D8/1; D11/143**
(58) **Field of Classification Search**
USPC D8/1; D9/711, 713; D11/143, 149, 152, D11/155, 164; D25/100, 48.8; D6/675.2; D26/85
CPC .. A01G 13/04; A01G 13/043; A01G 13/0243; A01G 13/0281; A01G 27/02; A47G 7/085
See application file for complete search history.

(56) **References Cited**

U.S. PATENT DOCUMENTS

4,890,417 A 1/1990 Futch et al.
5,044,120 A 9/1991 Couch
5,862,629 A 1/1999 Sulyman
6,360,484 B1 3/2002 Kreizel
8,091,277 B1 1/2012 Hajianpour et al.
8,484,888 B2 7/2013 Butler

OTHER PUBLICATIONS

Tree T-Pee, How it works, retrieved from Internet, retrieved on Sep. 28, 2022, <URL: <http://www.treetpee.com/ttp-u/how-it-works/>>, URL reviewed Apr. 18, 2023.

* cited by examiner

Primary Examiner — Calvin E Vansant

(57) **CLAIM**

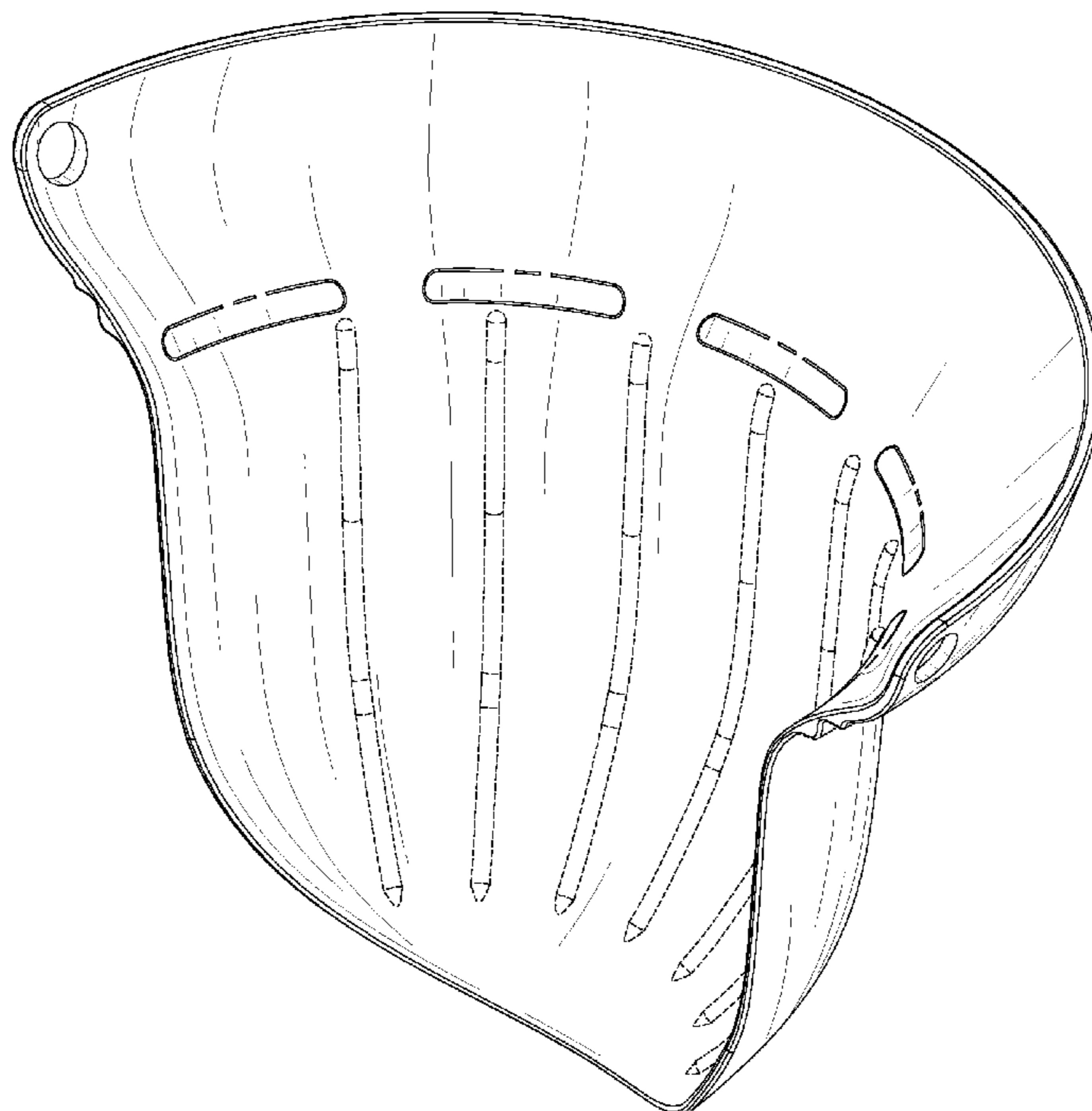
The ornamental design for a hillside planter dam, as shown and described.

DESCRIPTION

FIG. 1 is a perspective view of a hillside planter dam showing our new design;
FIG. 2 is a front elevational view thereof;
FIG. 3 is a rear elevational view thereof;
FIG. 4 is a right-side elevational view thereof;
FIG. 5 is a left-side elevational view thereof;
FIG. 6 is a top plan view thereof;
FIG. 7 is a bottom plan view thereof; and,
FIG. 8 is a cross-sectional view taken about line 8-8 in FIG. 7.

The broken lines in the figures depict portions of the hillside planter dam that form no part of the claimed design.

1 Claim, 8 Drawing Sheets



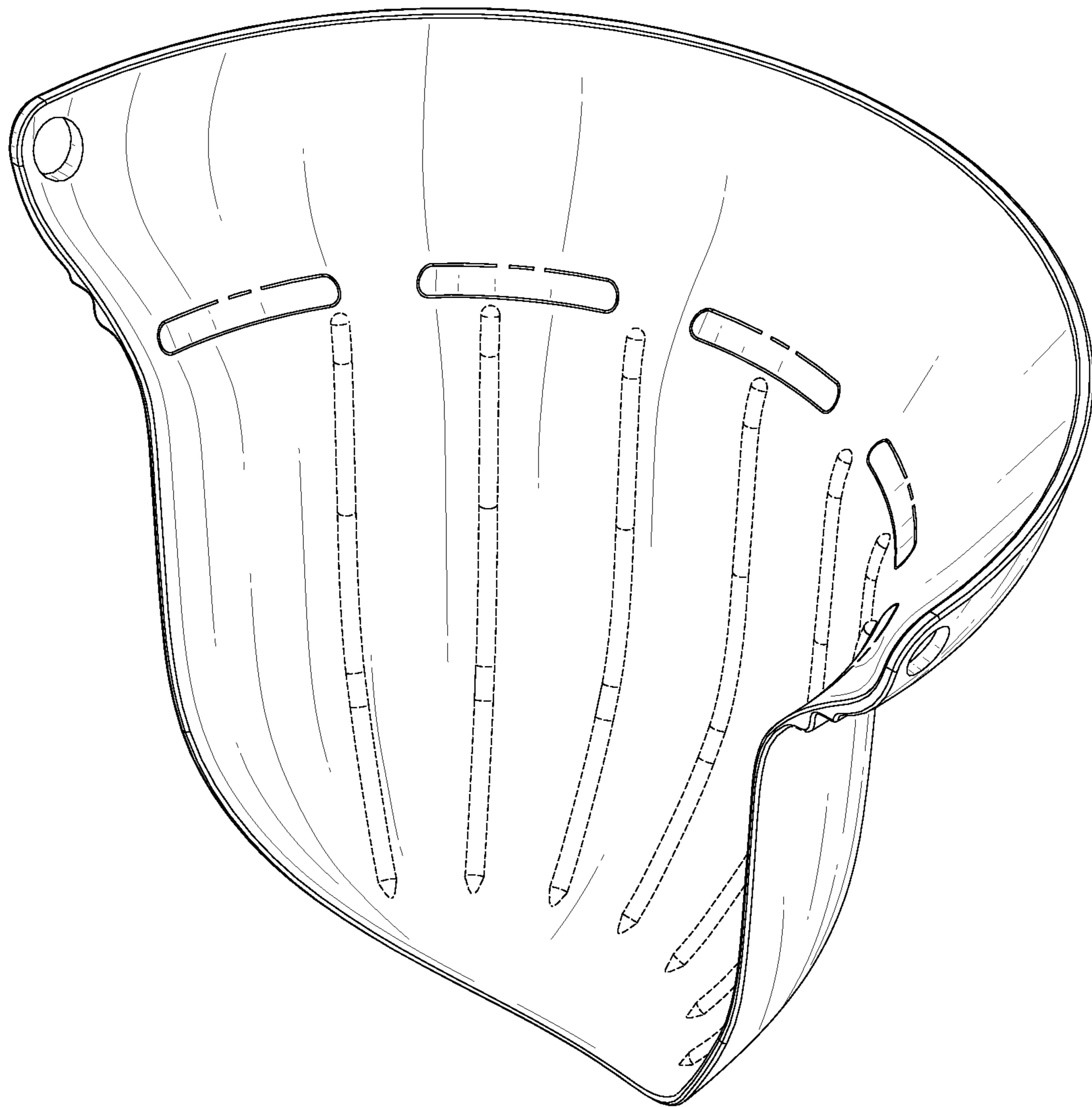


FIG. 1

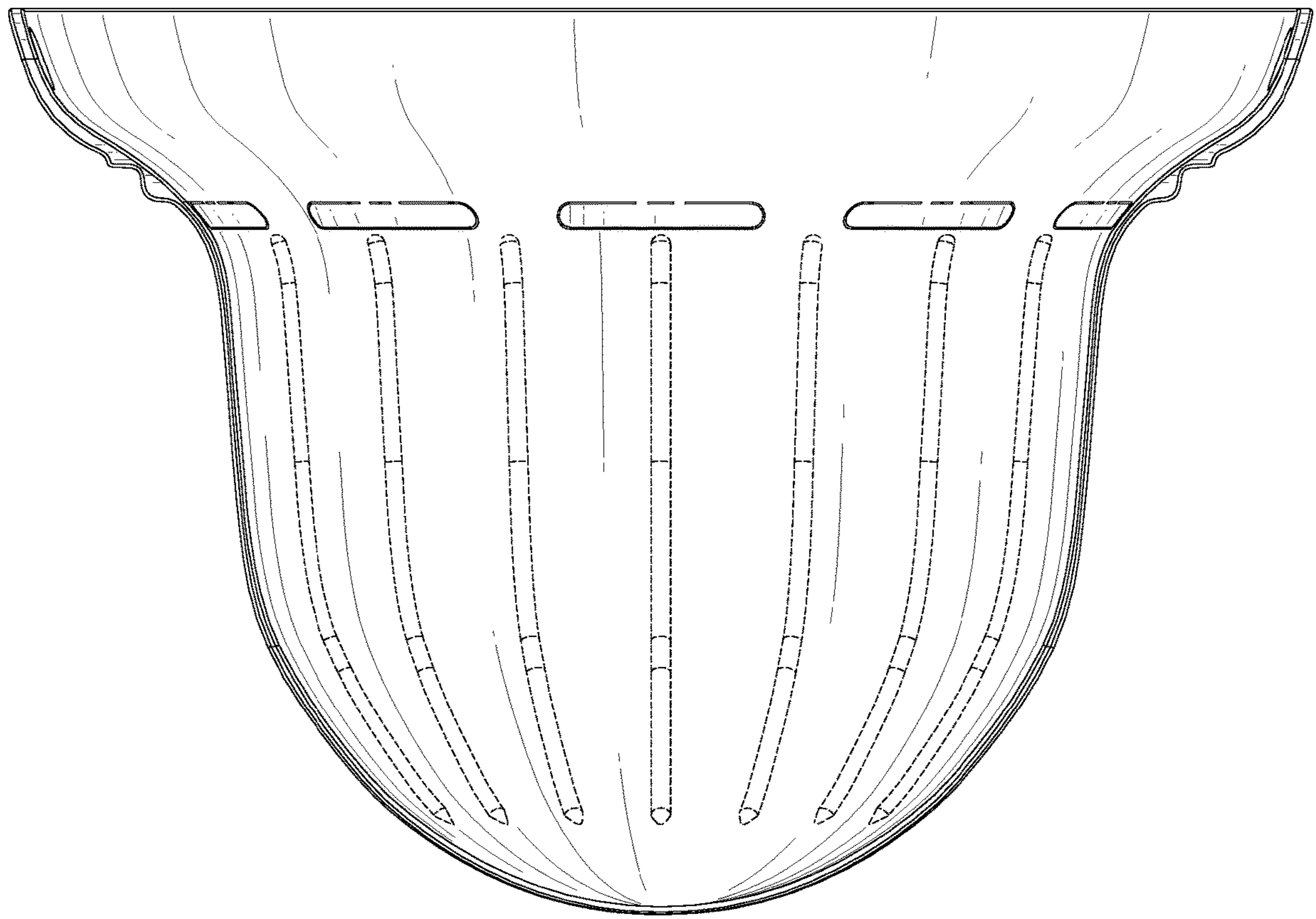


FIG. 2

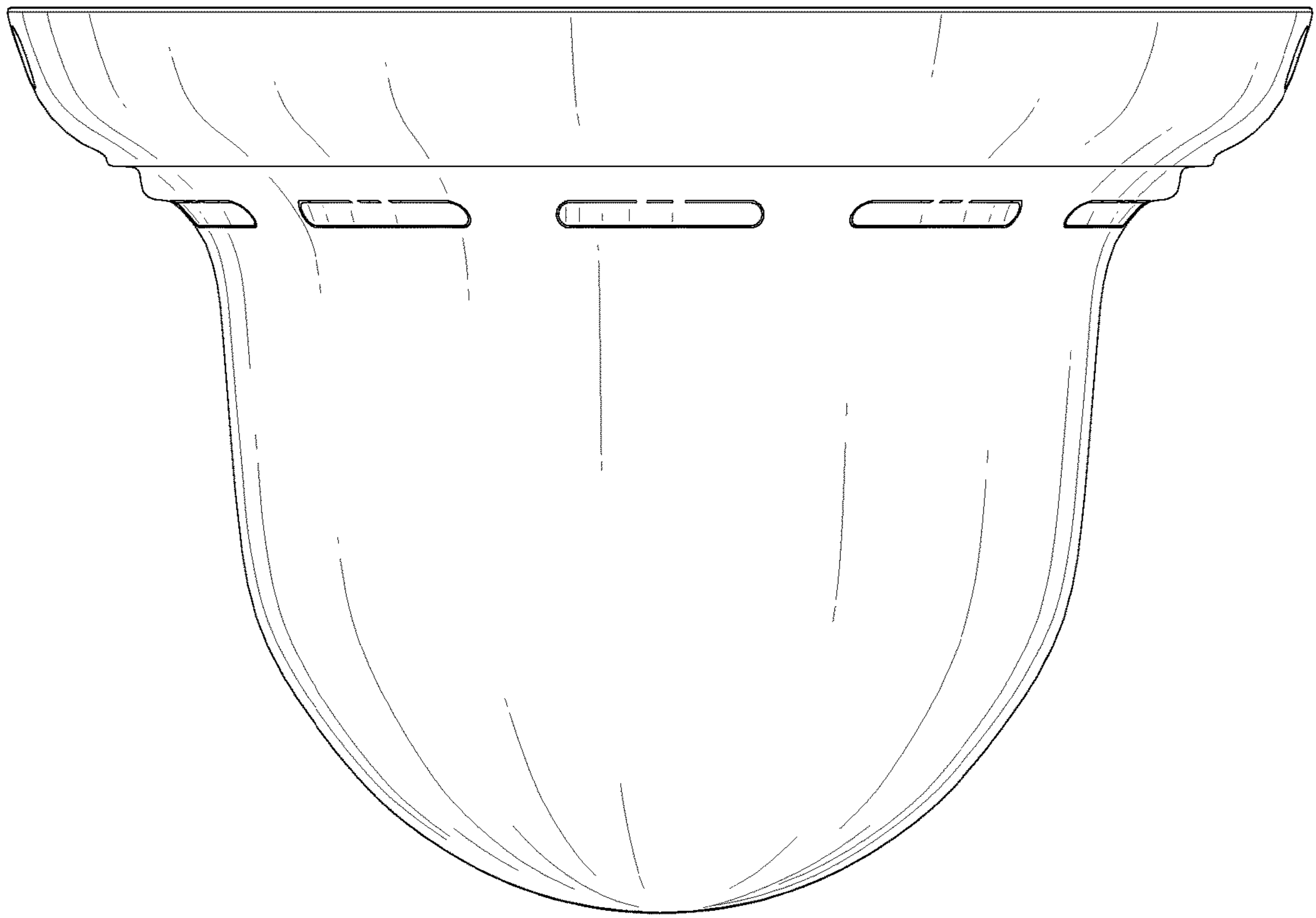


FIG. 3

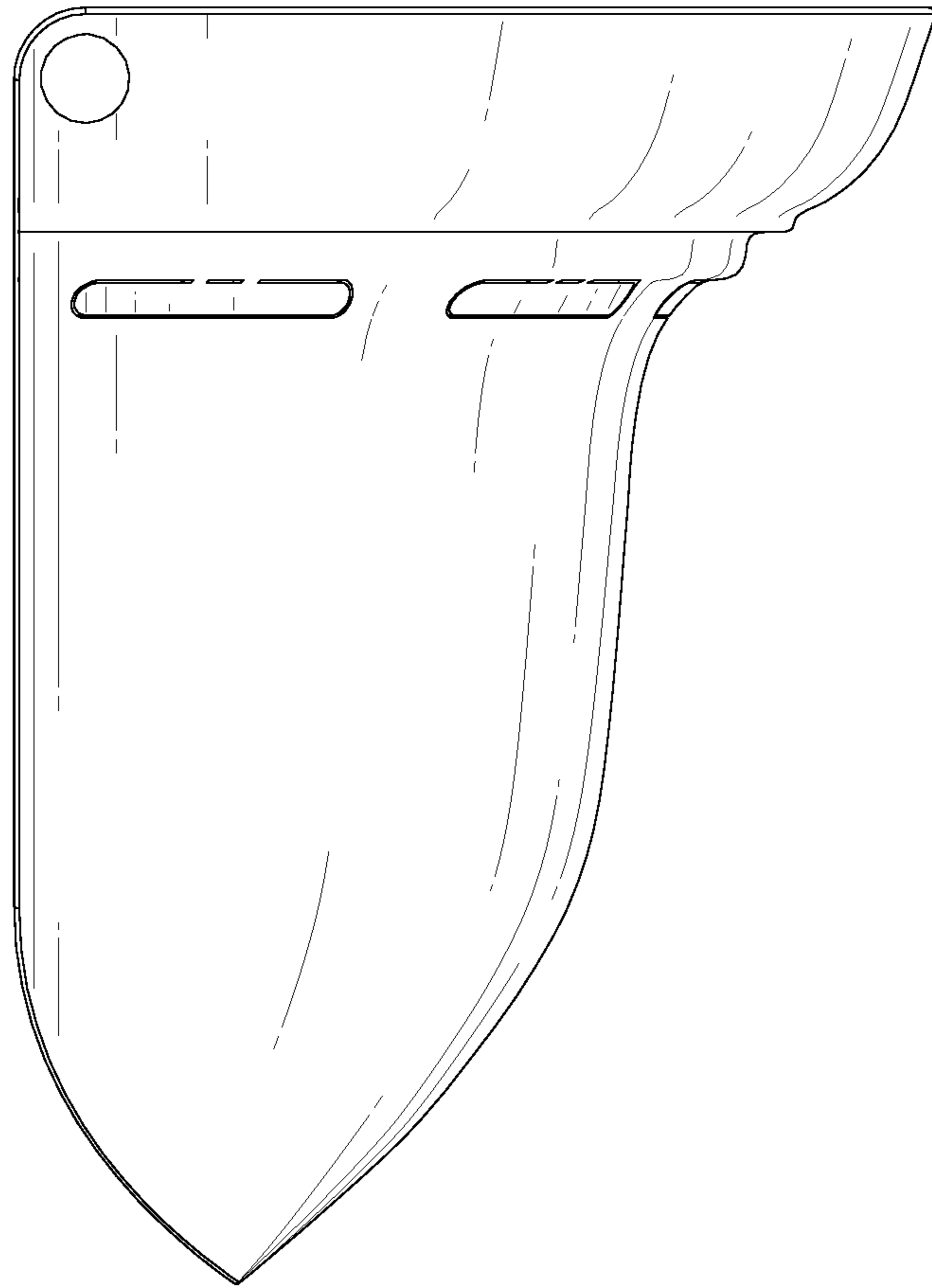


FIG. 4

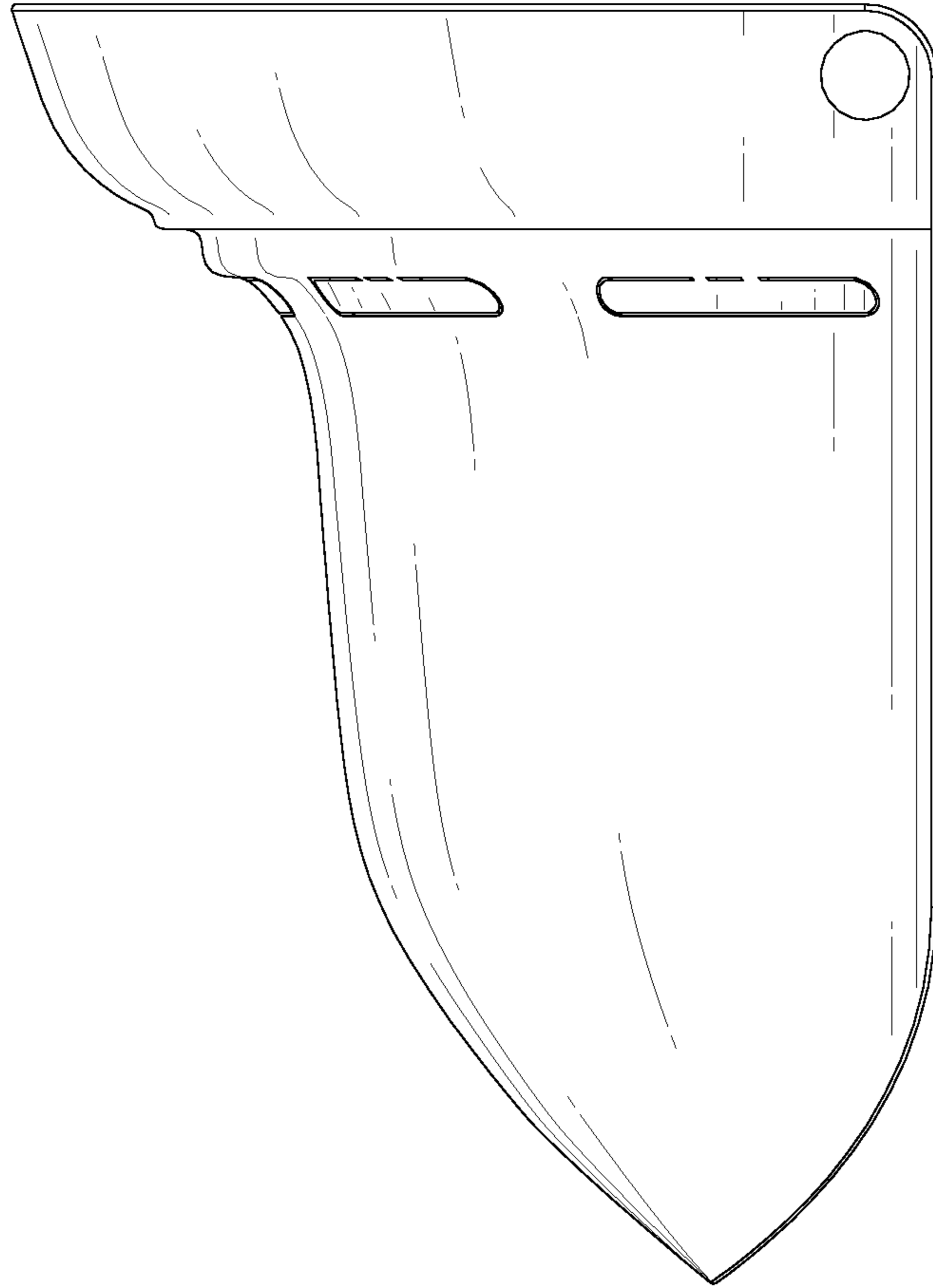


FIG. 5

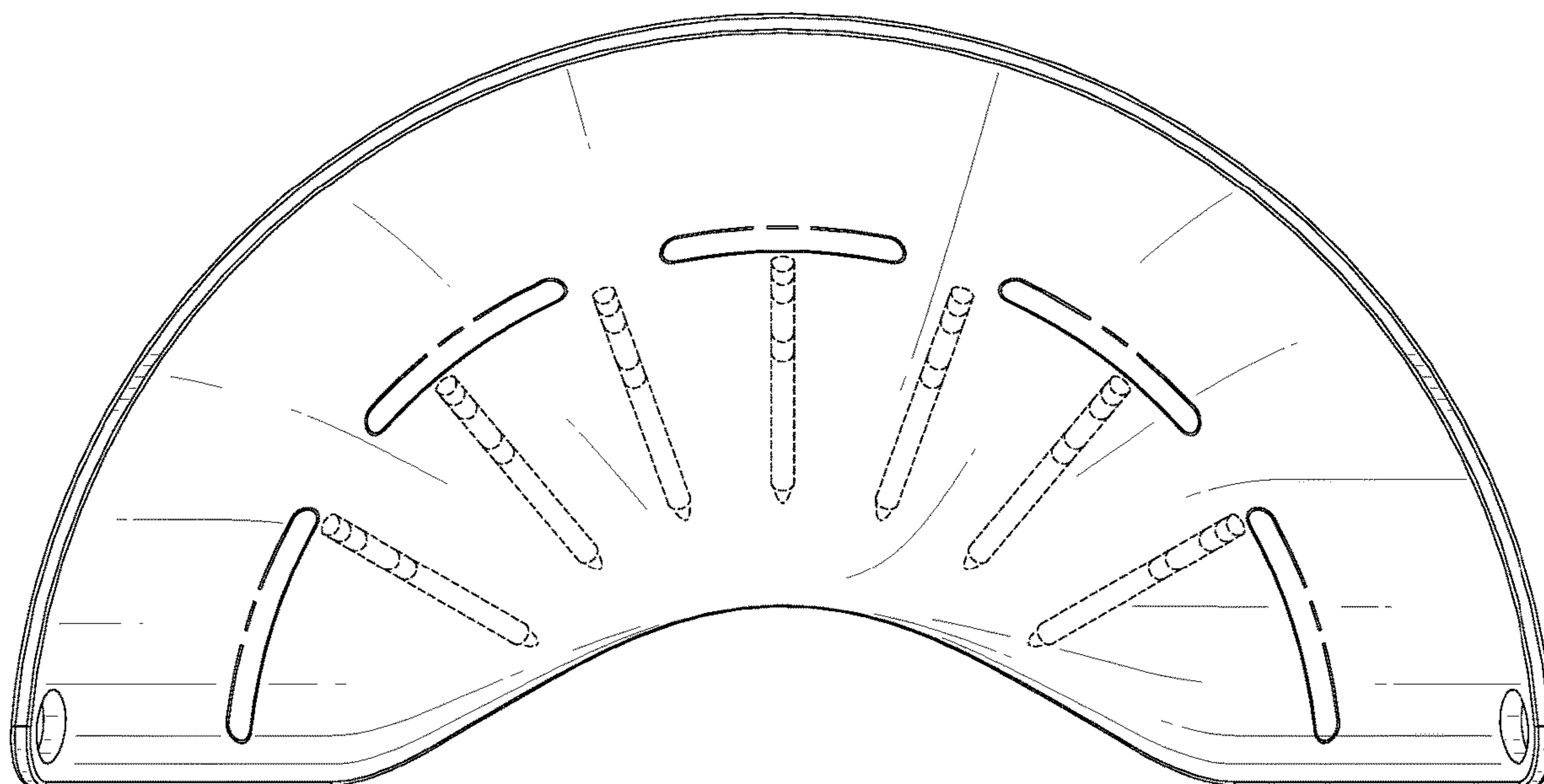


FIG. 6

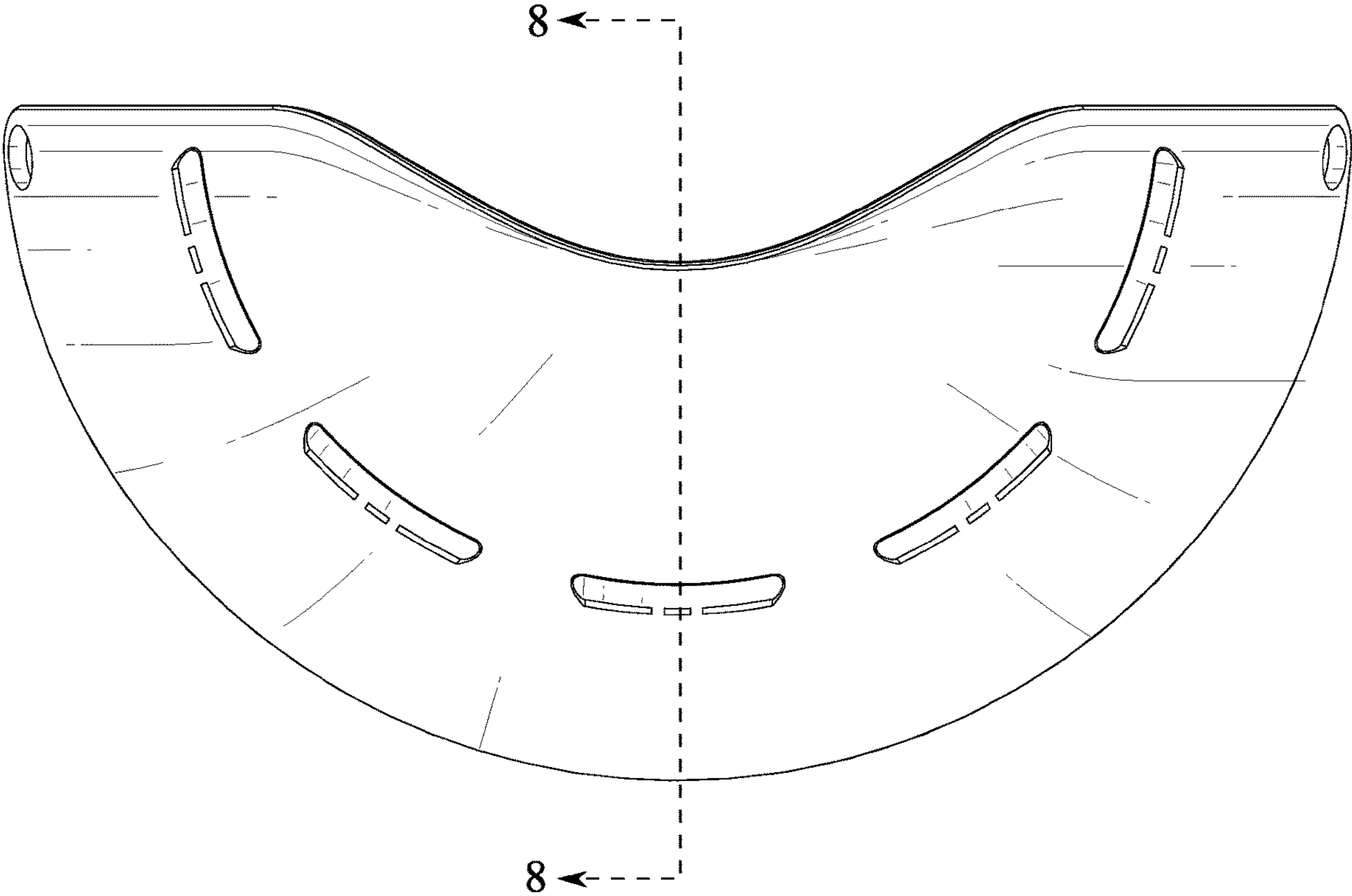


FIG. 7

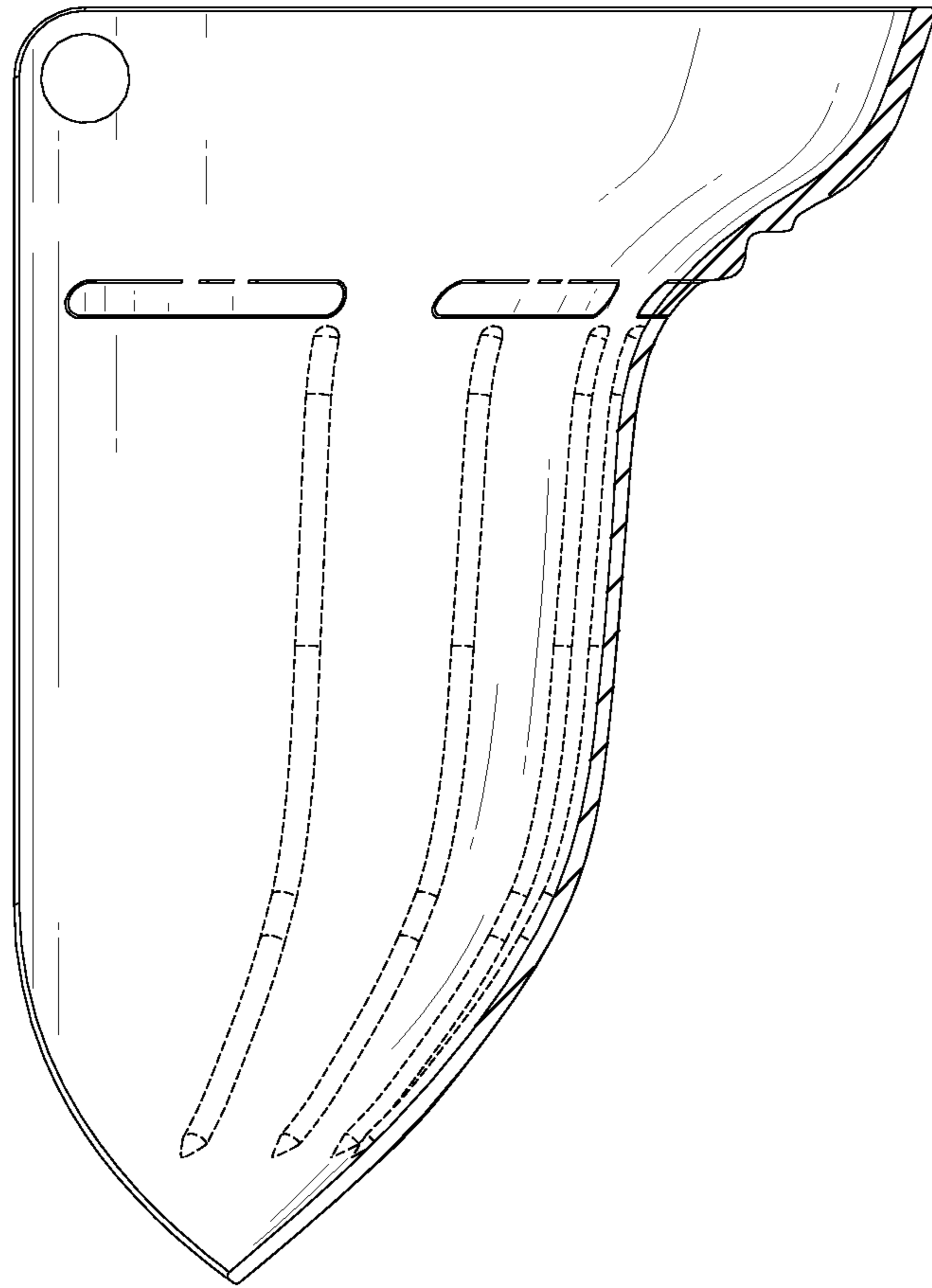


FIG. 8