



US00D995215S

(12) **United States Design Patent**
Campos

(10) **Patent No.:** **US D995,215 S**

(45) **Date of Patent:** **** Aug. 15, 2023**

(54) **COLLAPSIBLE BATHING CUP WITH SUCTION BASE**

(71) Applicant: **Tubby Limited Liability Company**, Midlothian, TX (US)

(72) Inventor: **Christie N. Campos**, Midlothian, TX (US)

(73) Assignee: **Tubby Limited Liability Company**, Midlothian, TX (US)

(**) Term: **15 Years**

(21) Appl. No.: **29/760,931**

(22) Filed: **Dec. 4, 2020**

(51) **LOC (14) Cl.** **23-06**

(52) **U.S. Cl.**
USPC **D23/304; D7/512; D7/532; D7/558**

(58) **Field of Classification Search**
USPC **D7/213, 400, 401, 507, 509-512, 523, D7/532, 558, 620, 624.2; D8/349, 354;**
(Continued)

(56) **References Cited**

U.S. PATENT DOCUMENTS

1,093,873 A * 4/1914 Mitchell B65D 21/086
220/8
D74,712 S * 3/1928 Beam D7/558
(Continued)

FOREIGN PATENT DOCUMENTS

CN 302617408 * 10/2013
CN 303734873 * 7/2016
(Continued)

OTHER PUBLICATIONS

“Suction Kupz,” May 21, 2019, Toy Ideas, www.toy-ideas.com/baby-toddler-toys/2019/5/21/suction-kupz (Year: 2019).
(Continued)

Primary Examiner — Joseph Kukella

Assistant Examiner — Arva P Adams

(74) *Attorney, Agent, or Firm* — Grady K. Bergen; Griggs Bergen LLP

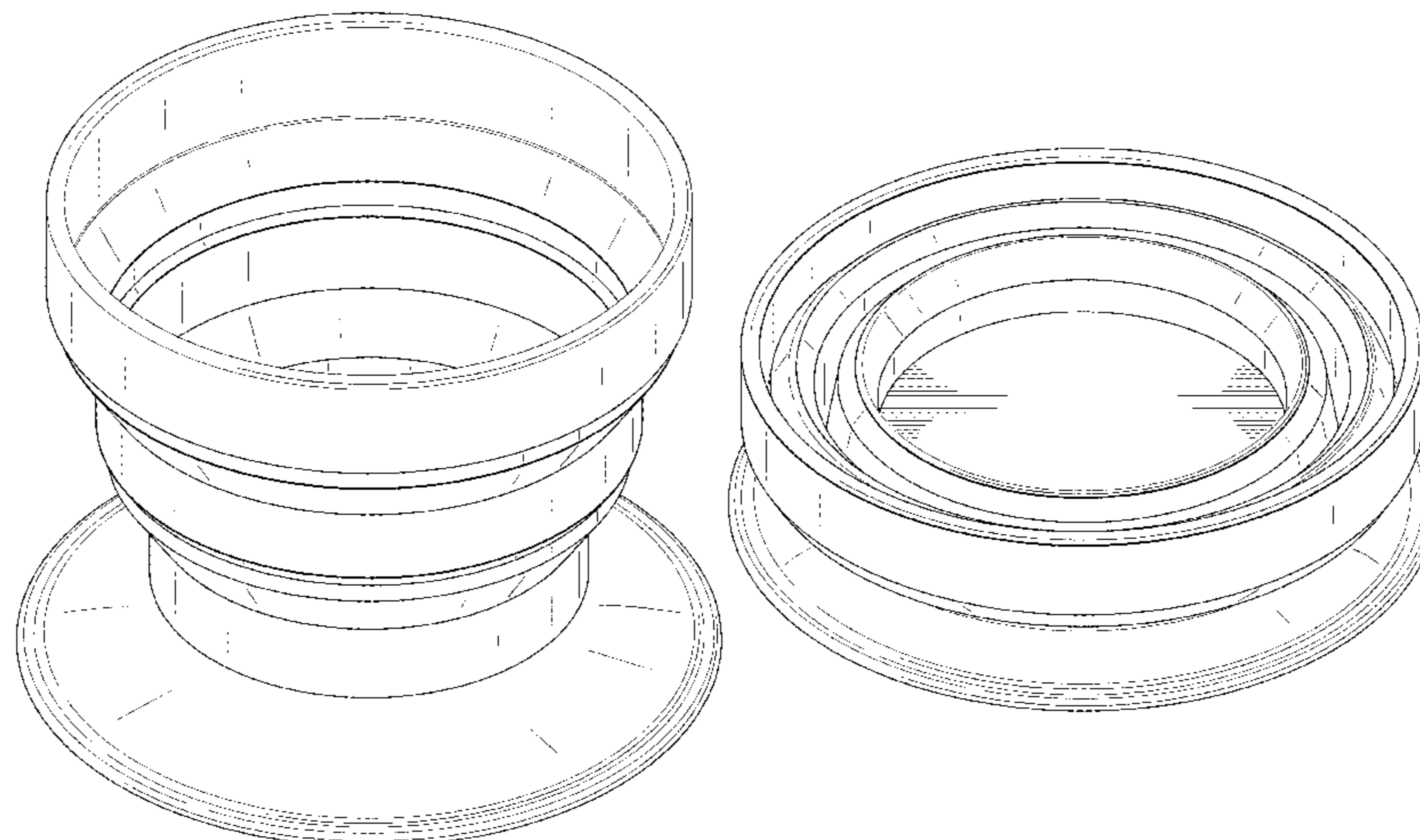
(57) **CLAIM**

The ornamental design for a collapsible bathing cup with suction base, as shown and described.

DESCRIPTION

FIG. 1 is a front perspective view of a collapsible bathing cup with suction base, shown in an expanded configuration; FIG. 2 is a front elevational view of the collapsible bathing cup with suction base of FIG. 1, the rear elevational view being identical to the front elevational view; FIG. 3 is a right-side elevational view of the collapsible bathing cup with suction base of FIG. 1, the left-side elevational view being identical to the right-side elevational view; FIG. 4 is a top plan view of the collapsible bathing cup with suction base of FIG. 1; FIG. 5 is a bottom plan view of the collapsible bathing cup with suction base of FIG. 1; FIG. 6 is a bottom perspective view of the collapsible bathing cup with suction base of FIG. 1; FIG. 7 is a front perspective view of a collapsible bathing cup with suction base, shown in a collapsed configuration; FIG. 8 is a front elevational view of the collapsible bathing cup with suction base of FIG. 7, the rear elevational view being identical to the front elevational view; FIG. 9 is a right-side elevational view of the collapsible bathing cup with suction base of FIG. 7, the left-side elevational view being identical to the right-side elevational view; FIG. 10 is a top plan view of the collapsible bathing cup with suction base of FIG. 7; FIG. 11 is a bottom plan view of the collapsible bathing cup with suction base of FIG. 7; and, FIG. 12 is a bottom perspective view of the collapsible bathing cup with suction base of FIG. 7.

(Continued)



The portions shown in broken line do not form part of the claimed design.

1 Claim, 12 Drawing Sheets

(58) Field of Classification Search

USPC D9/502, 777; D11/152; D23/304; D28/23, 73; D30/129
CPC A47G 19/2261; A47G 2019/2277; A47G 2021/002; A47K 2201/00; A47K 3/001; A47K 3/281; A47K 7/043

See application file for complete search history.

(56)

References Cited

U.S. PATENT DOCUMENTS

D220,203 S * 3/1971 Gahm D7/512
D360,100 S * 7/1995 Van Den Berghe D7/308
D422,180 S * 4/2000 Sundberg D7/588
D429,121 S * 8/2000 Hasz D7/619.1
D483,225 S * 12/2003 Gain D7/532
D664,003 S * 7/2012 Nagoya D7/400
D670,451 S * 11/2012 Able D30/129

D675,482 S * 2/2013 Heggstad D7/400
D682,617 S * 5/2013 Miksovsky D7/532
D759,420 S * 6/2016 Lee D7/354
D778,668 S * 2/2017 Hojo D7/400
D779,886 S * 2/2017 Singlaub D7/532
9,723,942 B2 * 8/2017 Do A47J 31/005
D832,051 S * 10/2018 Charleson D7/512
D853,824 S * 7/2019 Kravchenko D8/354
D861,435 S * 10/2019 Yang D7/532
D883,453 S * 5/2020 Dereci D23/299
D888,497 S * 6/2020 Cai D7/400
2013/0181000 A1 * 7/2013 Miksovsky A45F 3/20 220/780
2018/0194517 A1 * 7/2018 Brooks B65D 47/089

FOREIGN PATENT DOCUMENTS

CN 305345785 * 9/2019
CN 305591083 * 2/2020

OTHER PUBLICATIONS

Tubbycup, "Fun fact!", Jun. 15, 2021, Instagram, www.instagram.com/p/CQJIAfPI22i/?hl=en (Year: 2021).*

* cited by examiner

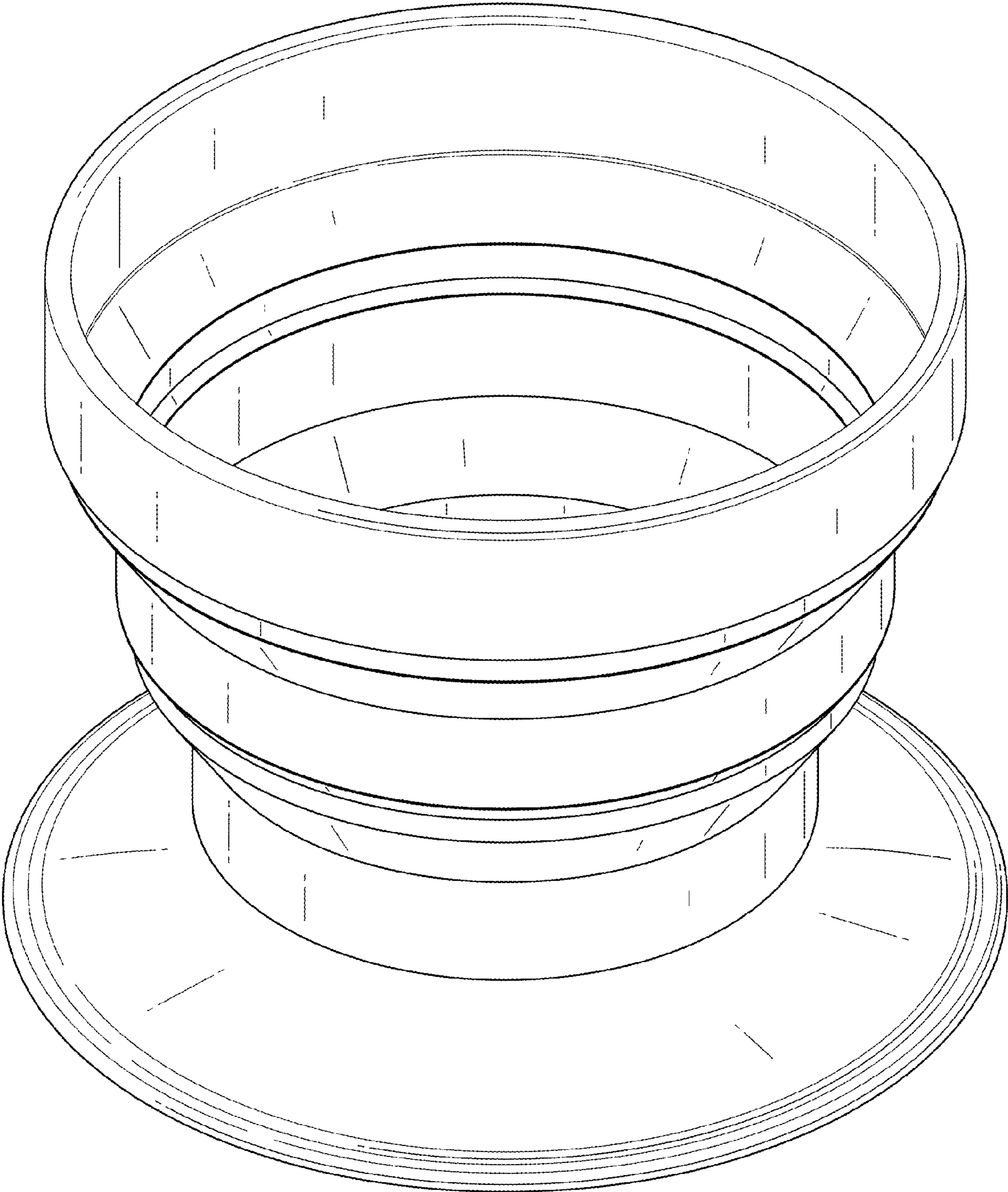


FIG. 1

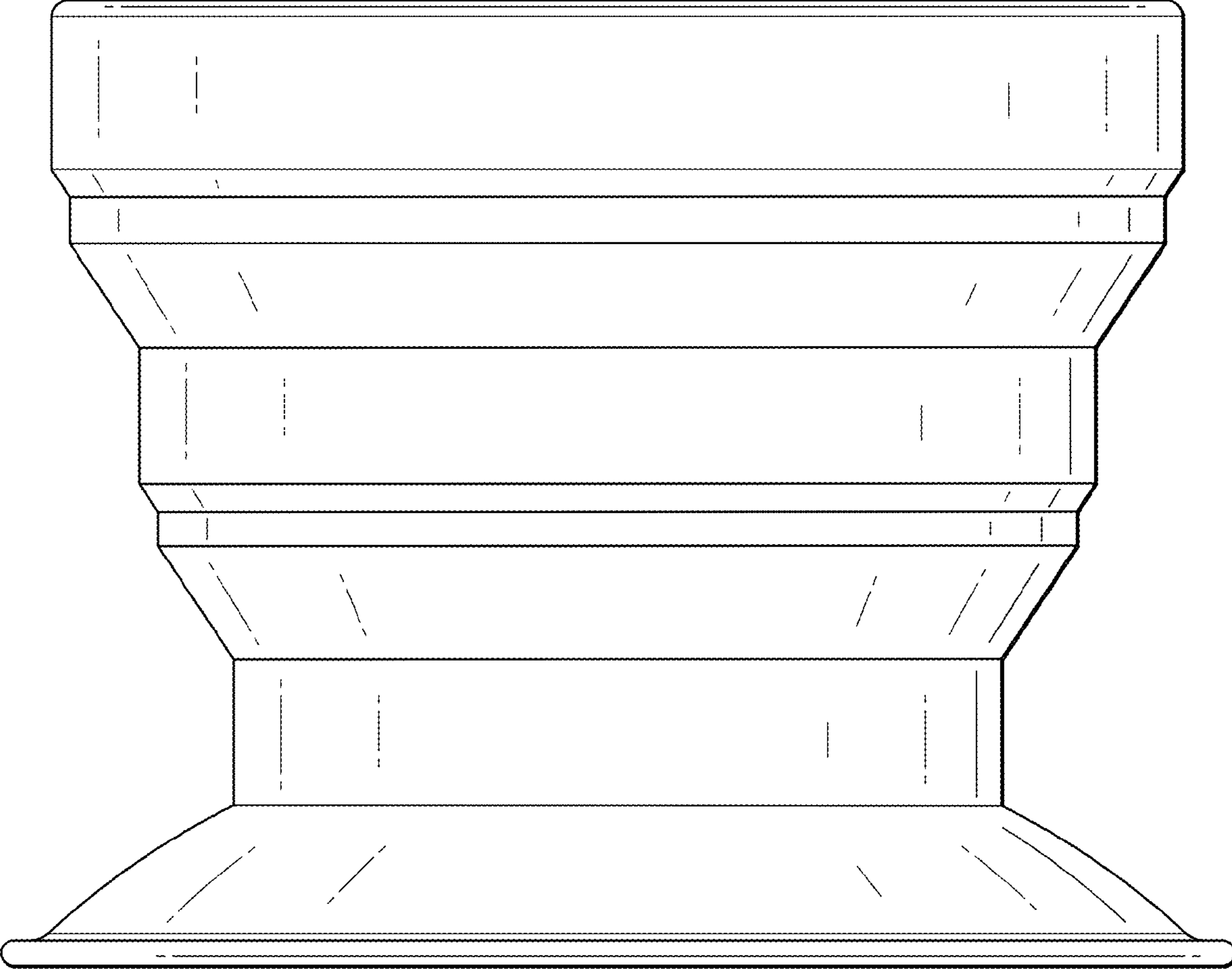


FIG. 2

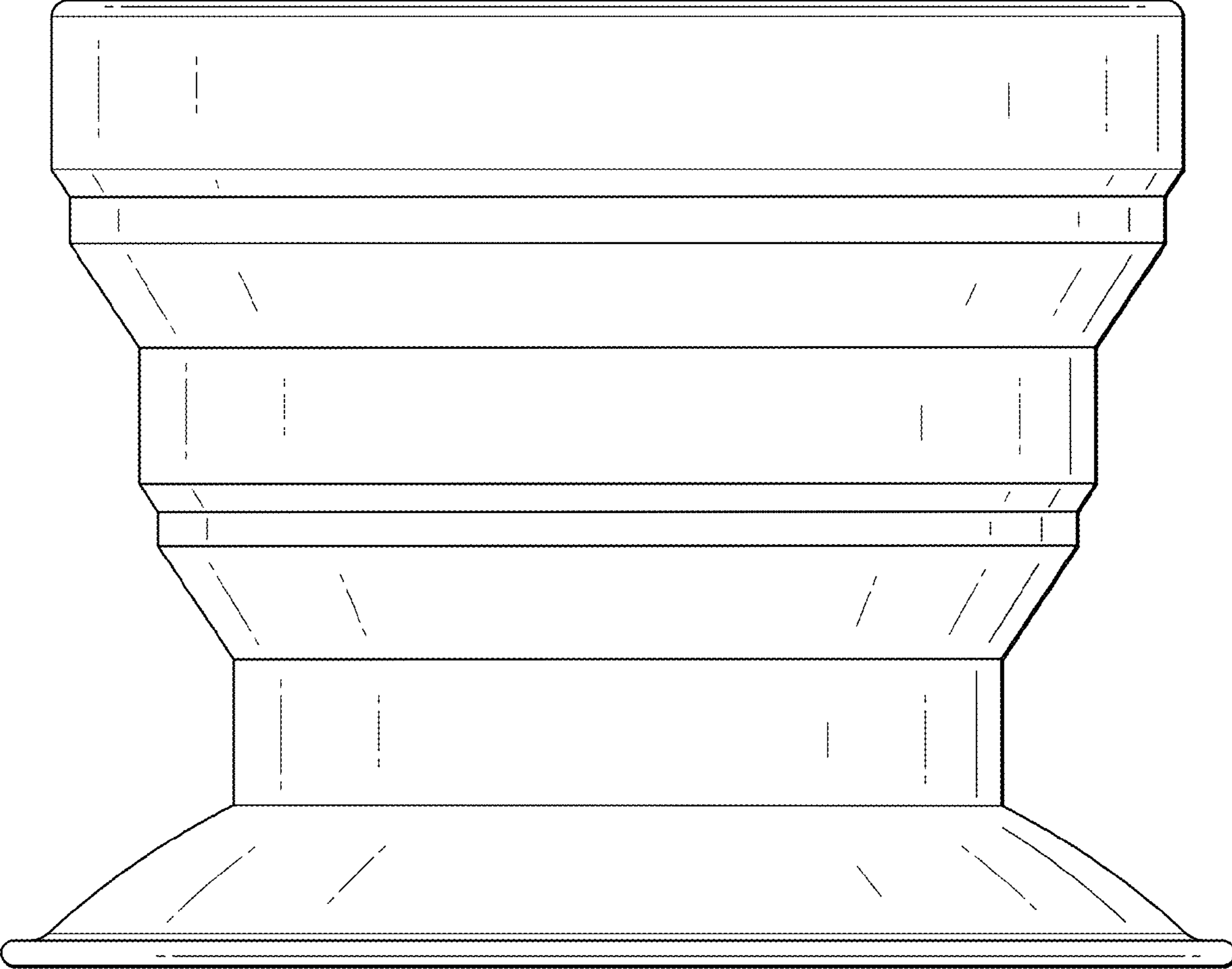


FIG. 3

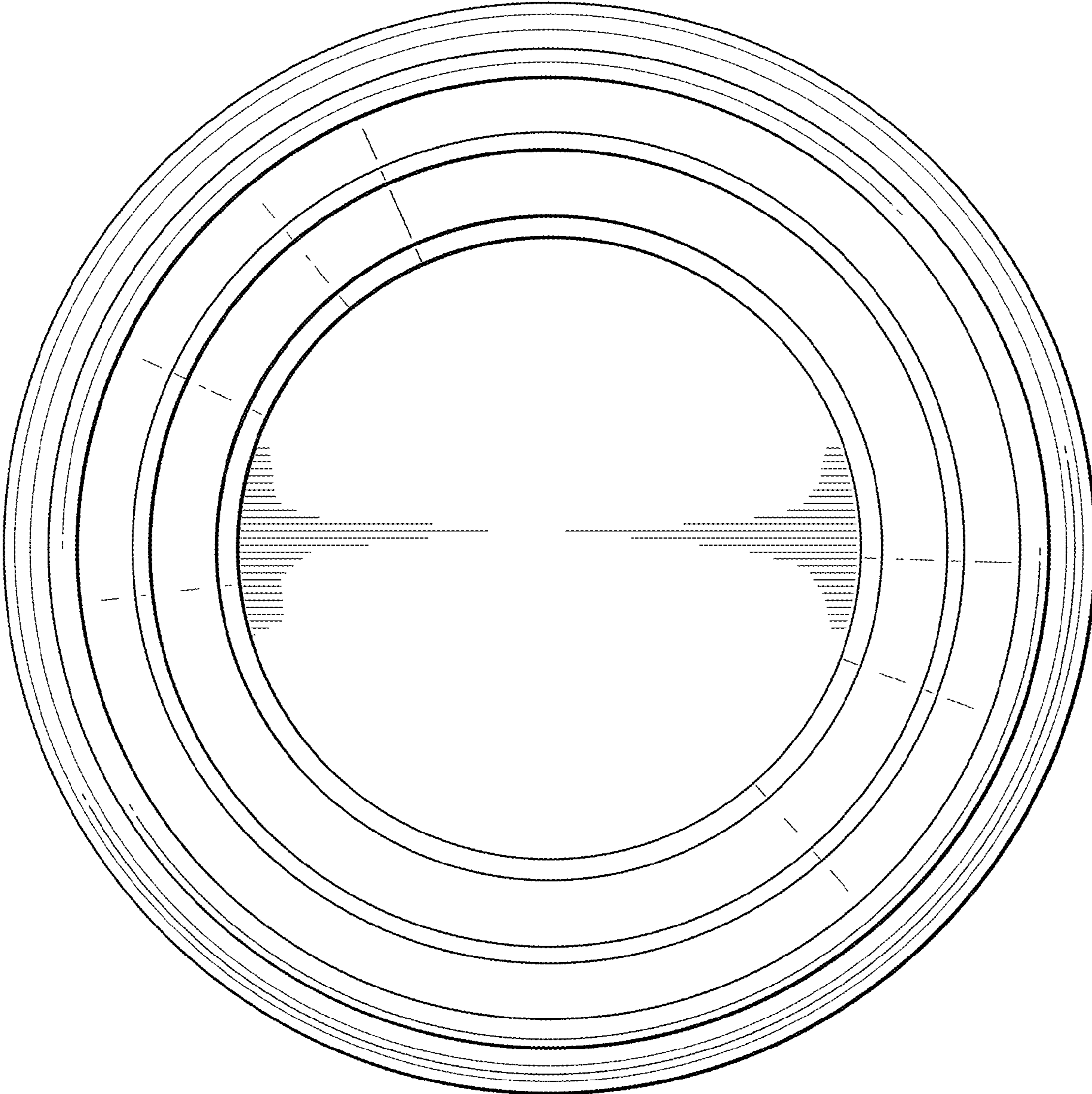


FIG. 4

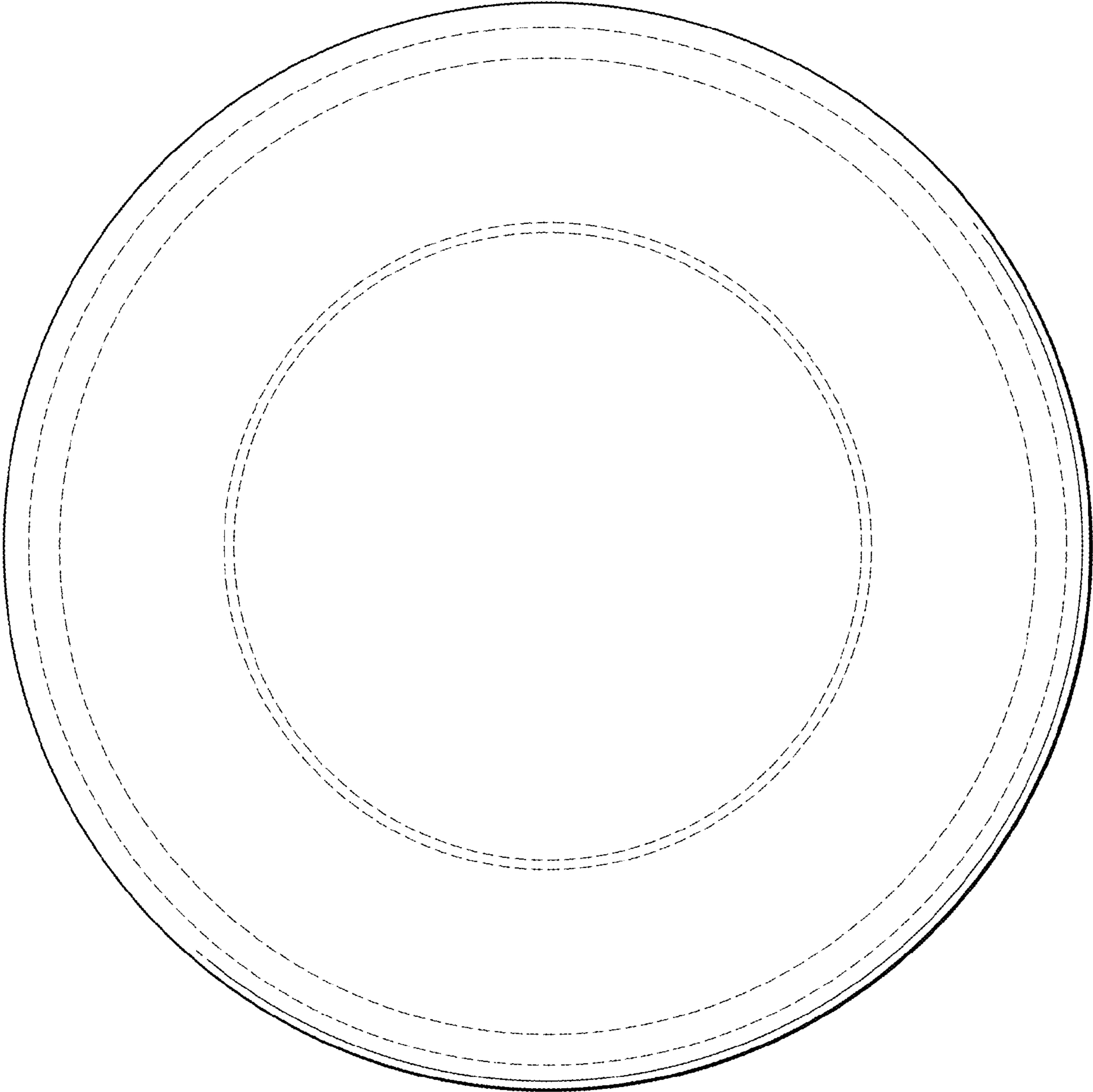


FIG. 5

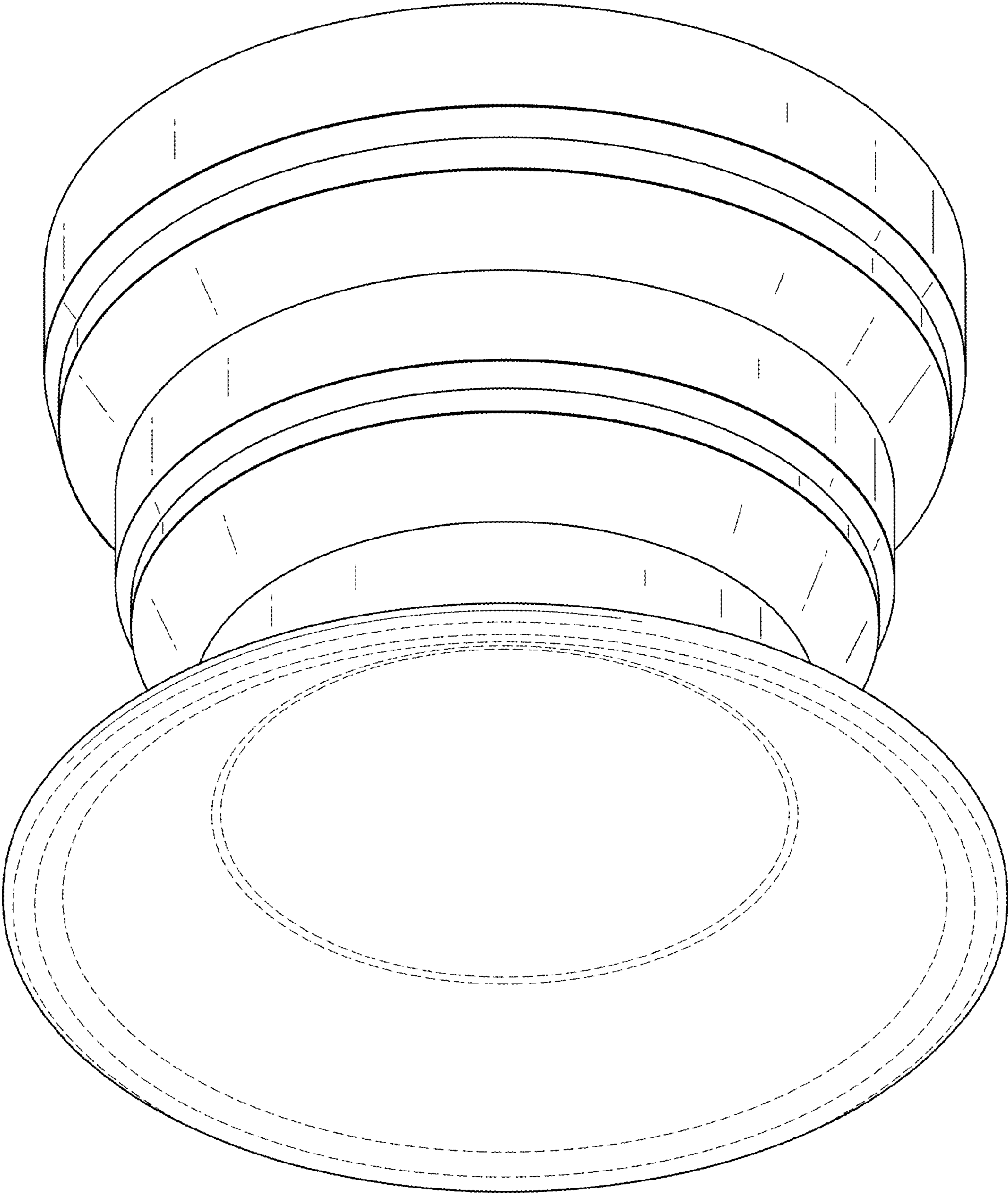


FIG. 6

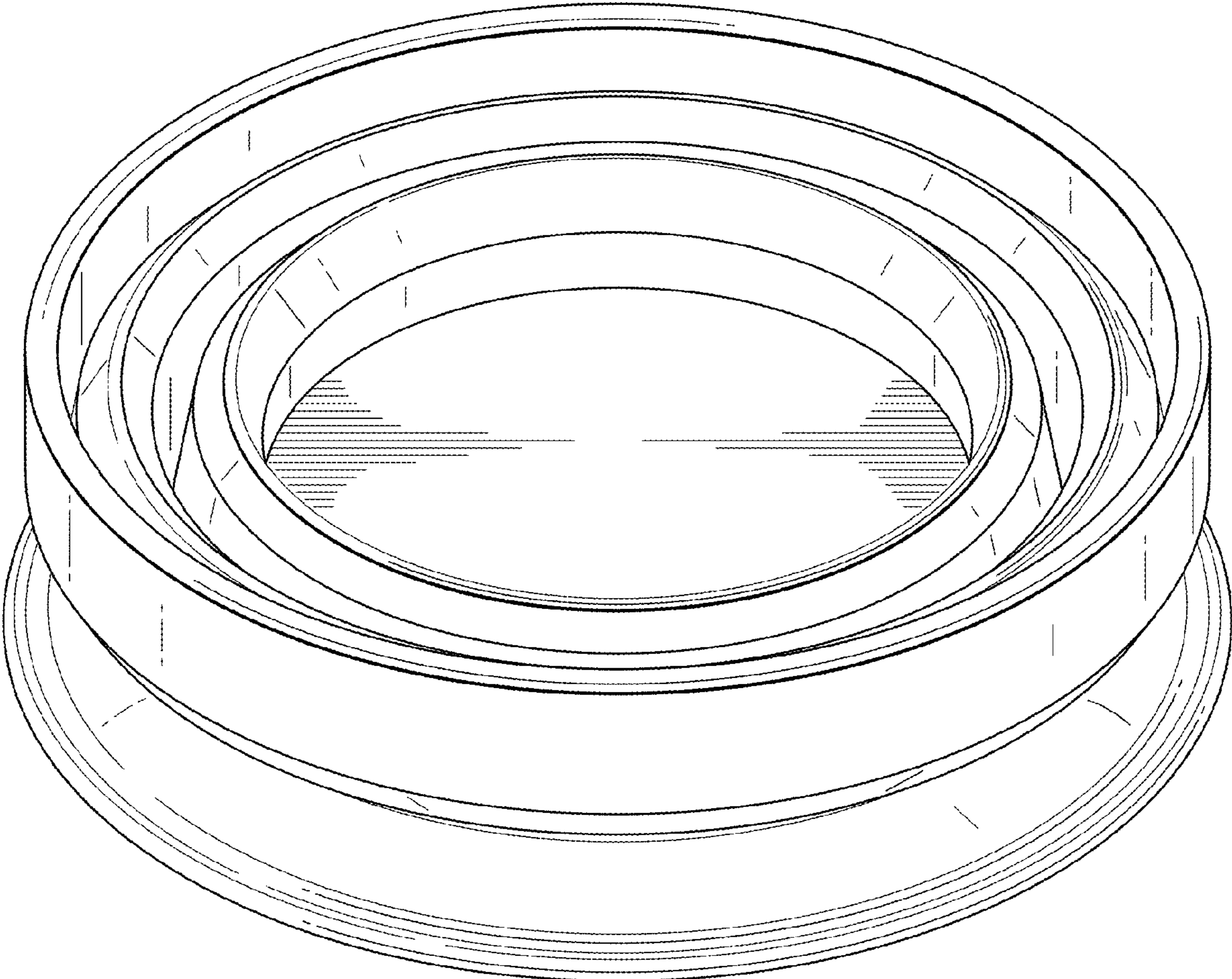


FIG. 7

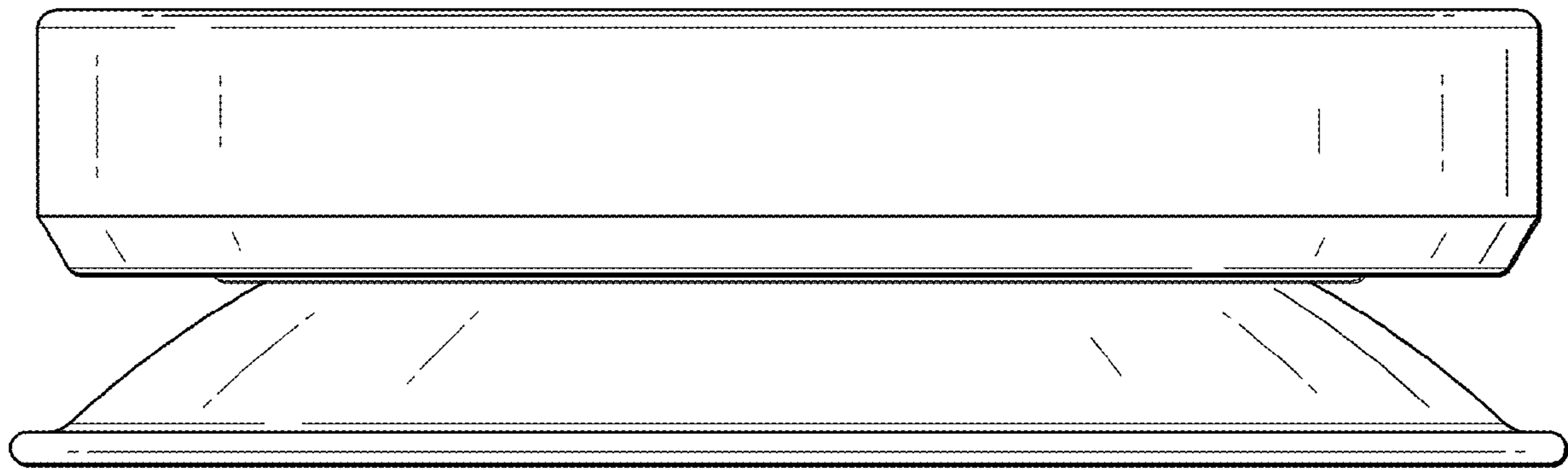


FIG. 8

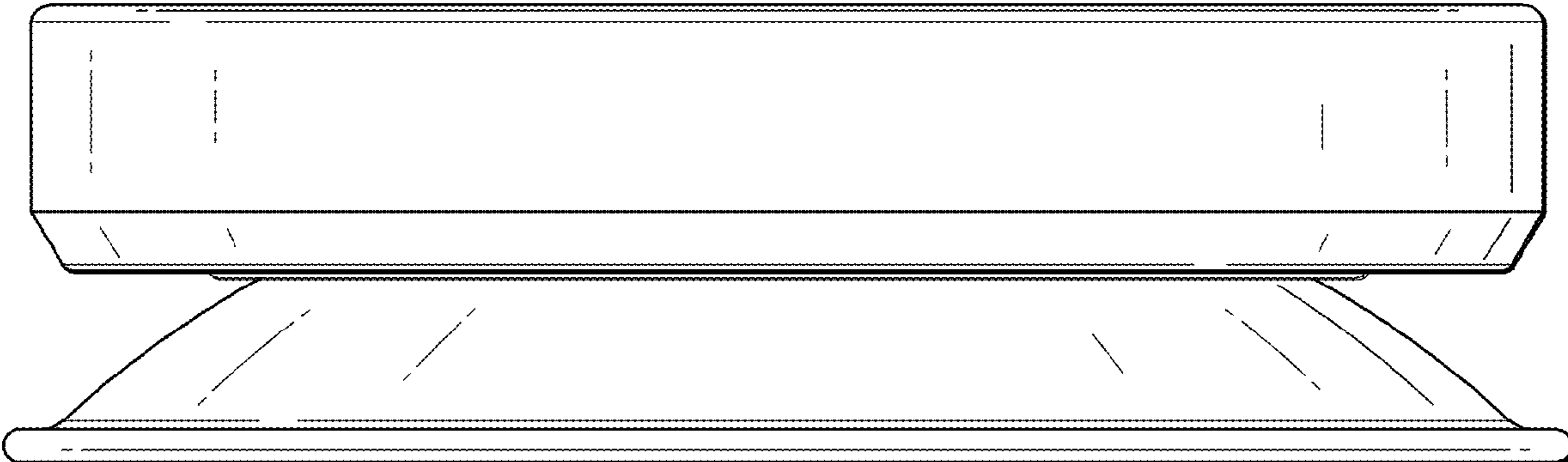


FIG. 9

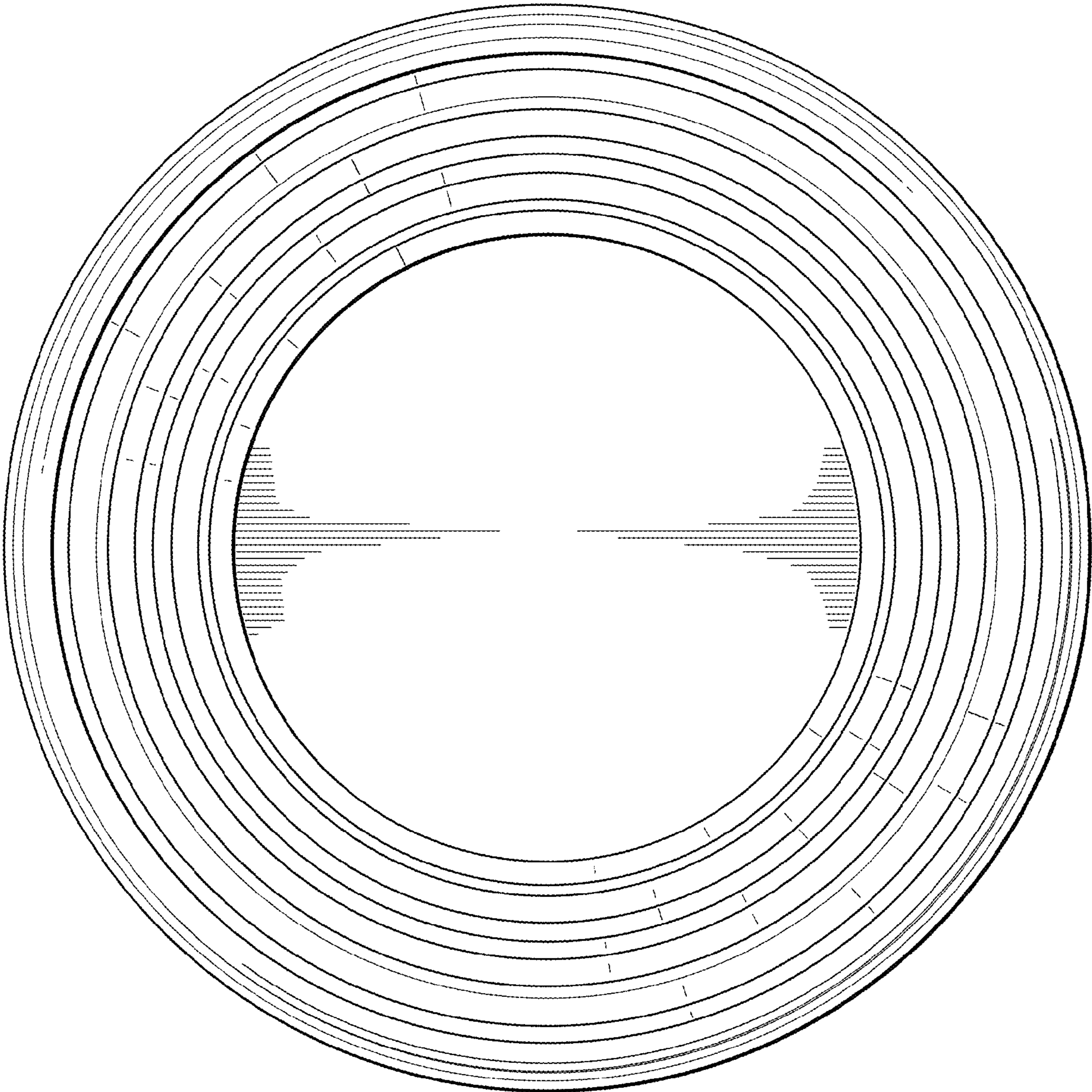


FIG. 10

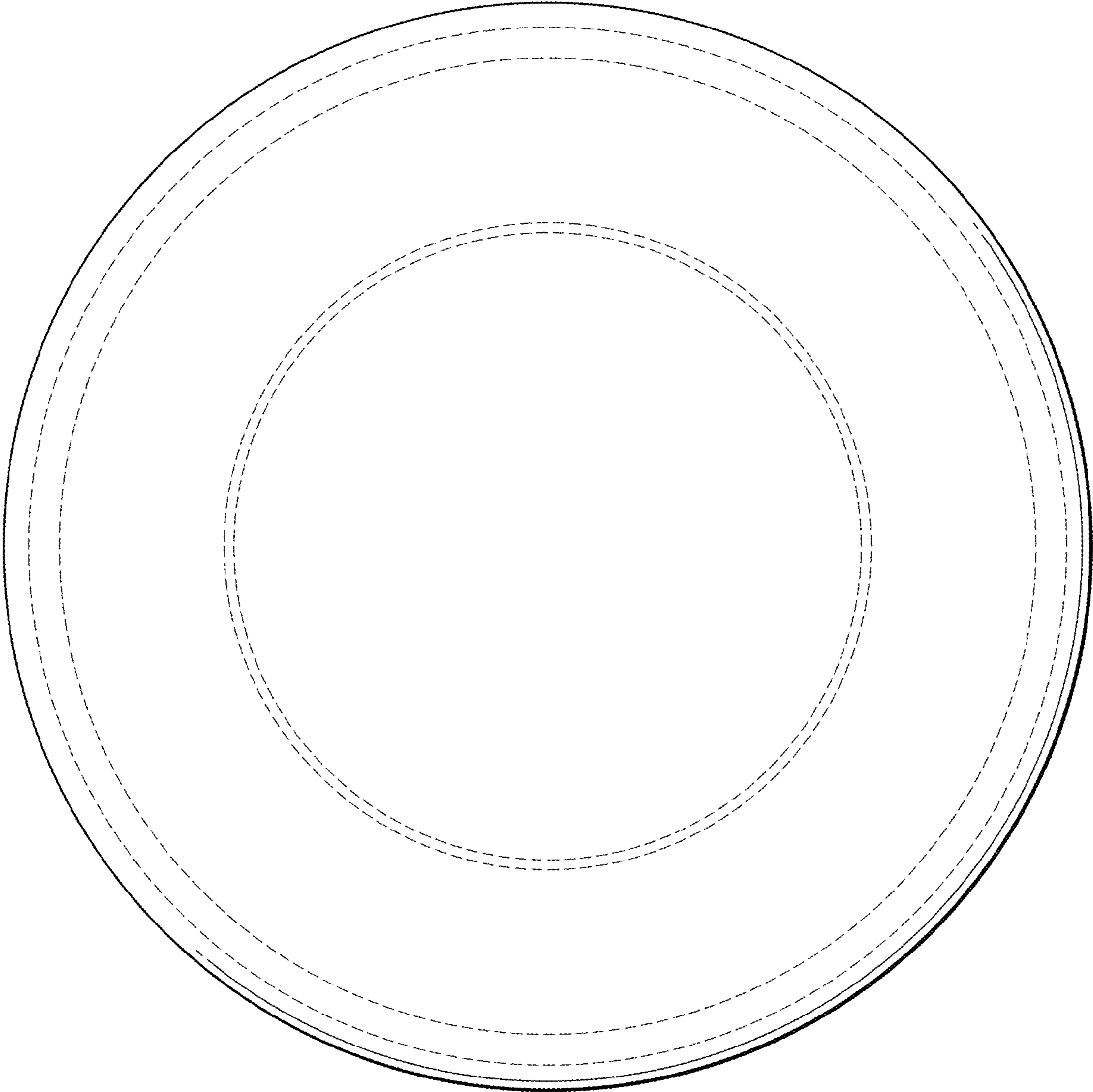


FIG. 11

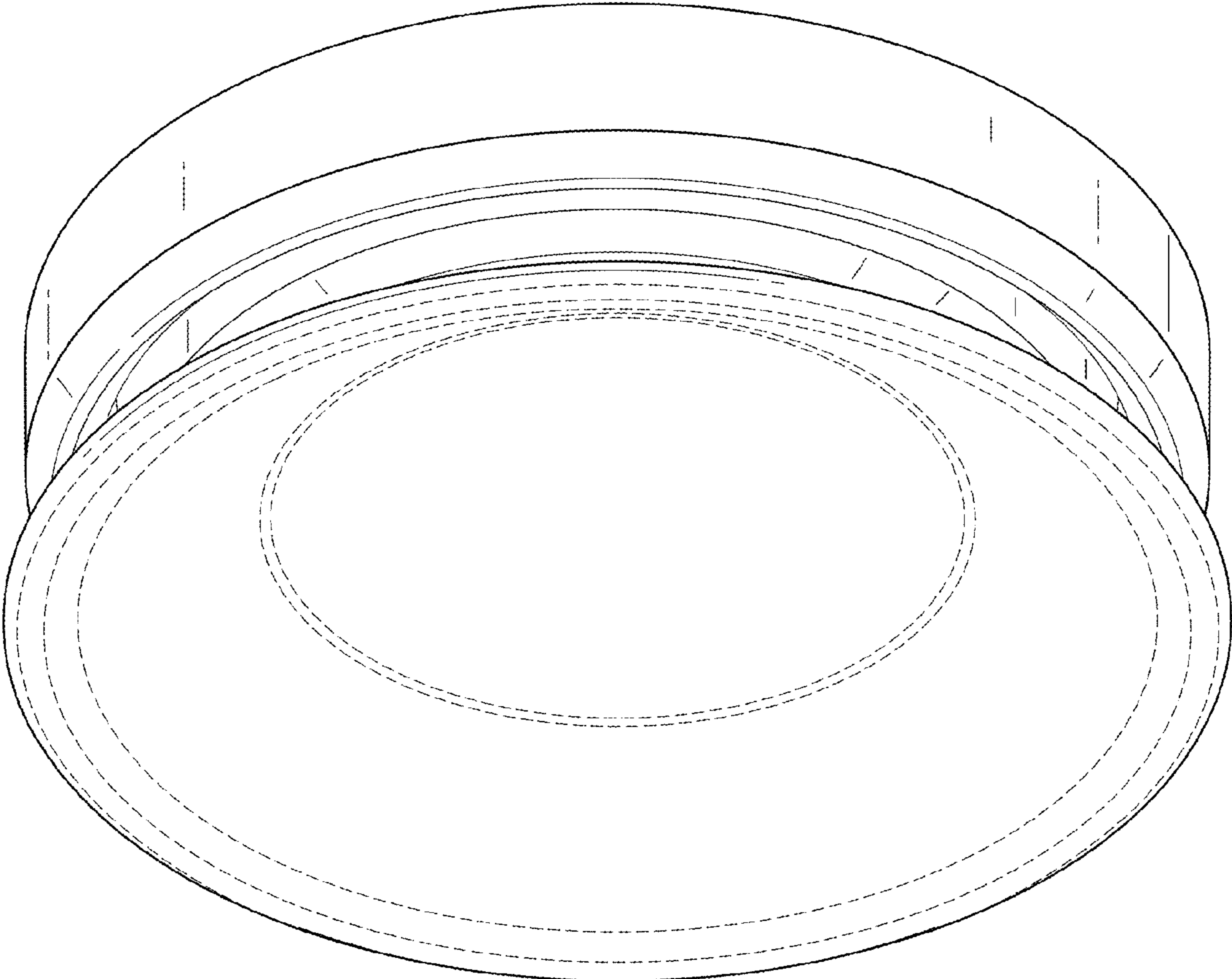


FIG. 12