



US00D995062S

(12) **United States Design Patent**
Levy

(10) **Patent No.:** **US D995,062 S**

(45) **Date of Patent:** **** Aug. 15, 2023**

- (54) **ACCESSORY FOR A SHOE**
- (71) Applicant: **Marc Levy**, Houston, TX (US)
- (72) Inventor: **Marc Levy**, Houston, TX (US)
- (**) Term: **15 Years**
- (21) Appl. No.: **29/881,968**
- (22) Filed: **Jan. 9, 2023**
- (51) **LOC (14) Cl.** **02-04**
- (52) **U.S. Cl.**
USPC **D2/909**
- (58) **Field of Classification Search**
USPC D2/896-897, 902, 907-909, 915,
D2/943-946, 948, 969, 972-974, 976
CPC A43B 1/04; A43B 5/06; A43B 5/10; A43B
23/029; A43C 13/14
See application file for complete search history.

- D378,470 S * 3/1997 McDaniel A43C 13/14
D2/909
- 5,996,258 A * 12/1999 Simmons A43B 5/145
36/7.1 R
- D607,631 S * 1/2010 Carbajal A43C 13/14
D2/919
- 7,930,840 B1 * 4/2011 Bubalo A61F 5/0195
36/77 R
- D683,114 S * 5/2013 Vardell A43C 13/14
D2/909
- D884,334 S * 5/2020 Kenison A43C 13/14
D2/971

* cited by examiner

Primary Examiner — Kevin K Rudzinski
Assistant Examiner — Clare Ann Gannon
(74) *Attorney, Agent, or Firm* — Barry Choobin; Patent
360

(57) **CLAIM**

The ornamental design for an accessory for a shoe, as shown and described.

(56) **References Cited**

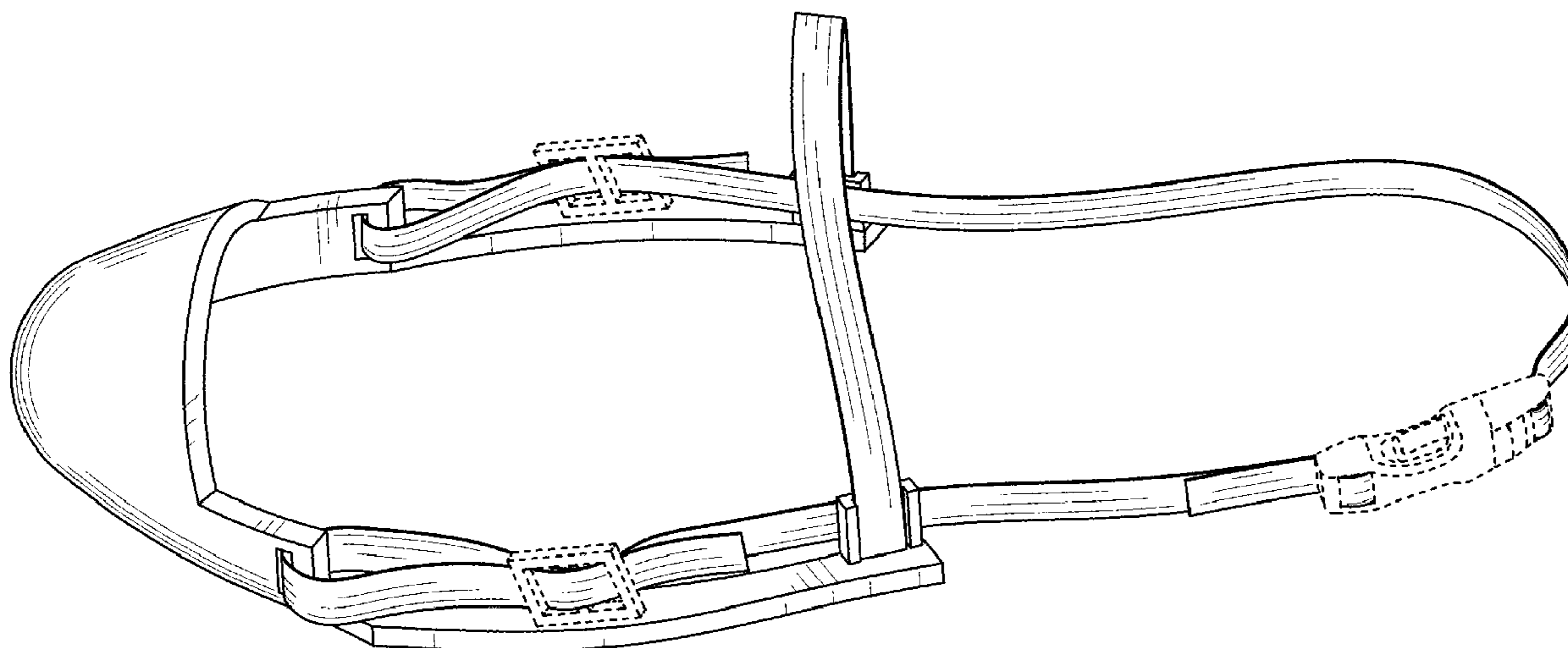
U.S. PATENT DOCUMENTS

- 1,383,905 A * 7/1921 Gates A43C 13/14
36/72 R
- 1,440,337 A * 12/1922 Bush A43C 13/14
D2/913
- 1,548,025 A * 8/1925 De Luca A43C 13/14
36/72 R
- 1,602,763 A * 10/1926 Getrost A43C 13/14
36/72 R
- 1,884,276 A * 10/1932 Sankey A43C 13/14
36/72 R
- 3,324,579 A * 6/1967 Steininger A43C 13/14
36/7.2
- 4,005,534 A * 2/1977 Crist A43C 13/14
36/72 R
- 4,780,970 A * 11/1988 McArthur, Sr. A43B 3/20
36/72 R
- D301,384 S * 6/1989 Ball A61F 5/0195
D2/915

DESCRIPTION

FIG. 1 is a perspective view of an accessory for a shoe, showing my new design;
FIG. 2 is a front view thereof;
FIG. 3 is a rear view thereof;
FIG. 4 is a right side view thereof;
FIG. 5 is a left side view thereof;
FIG. 6 is a top view thereof;
FIG. 7 is a bottom view thereof; and,
FIG. 8 is another perspective view thereof, in which a shoe is shown in broken lines to illustrate a sample environment and forms no part of the claimed design.
The broken lines in FIGS. 1-8 depict portions of the accessory for a shoe that form no part of the claimed design.

1 Claim, 5 Drawing Sheets



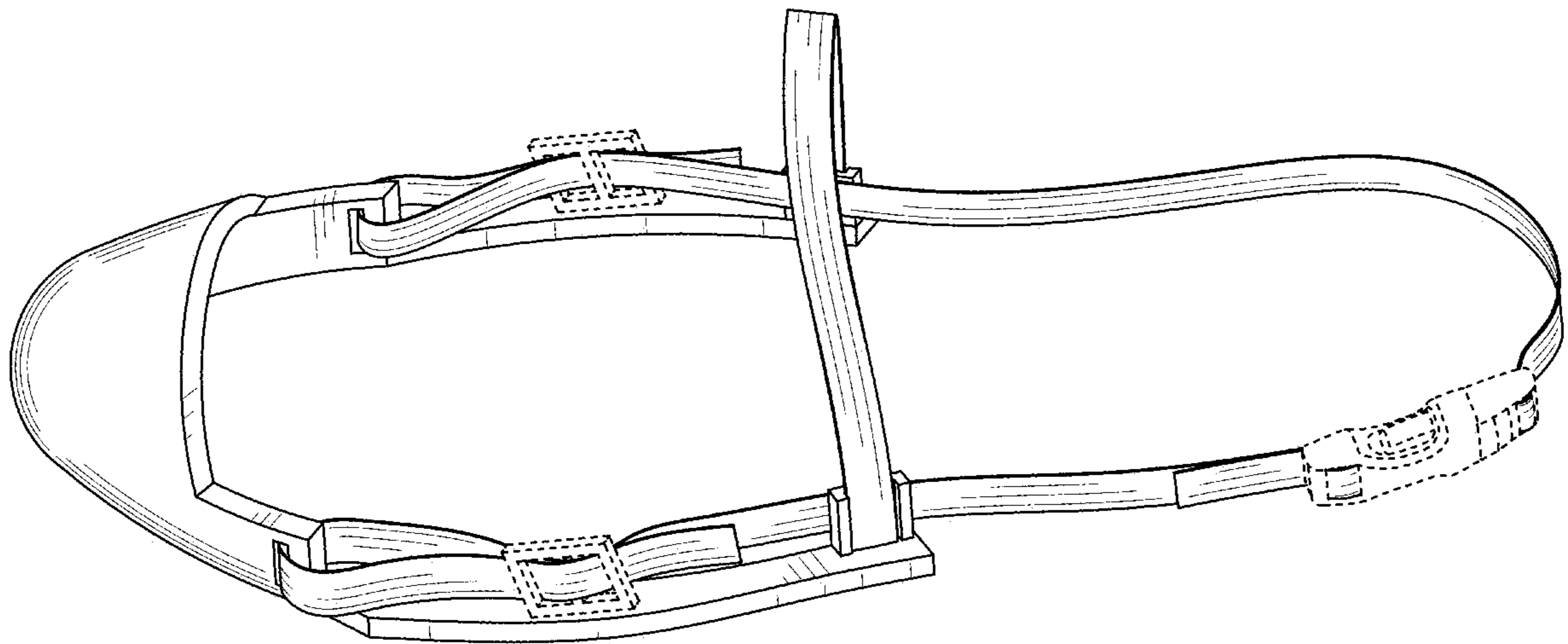


FIG. 1

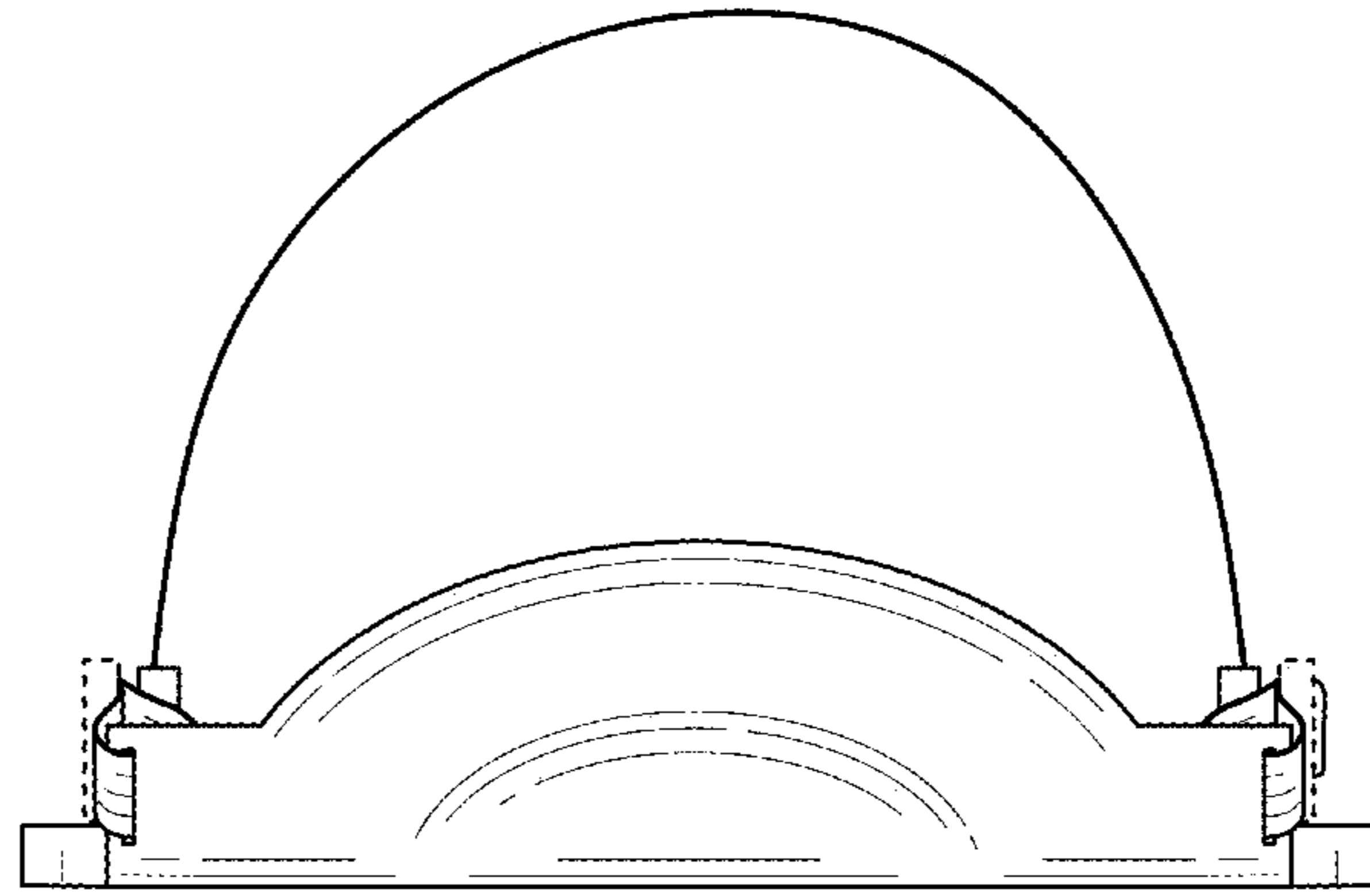


FIG. 2

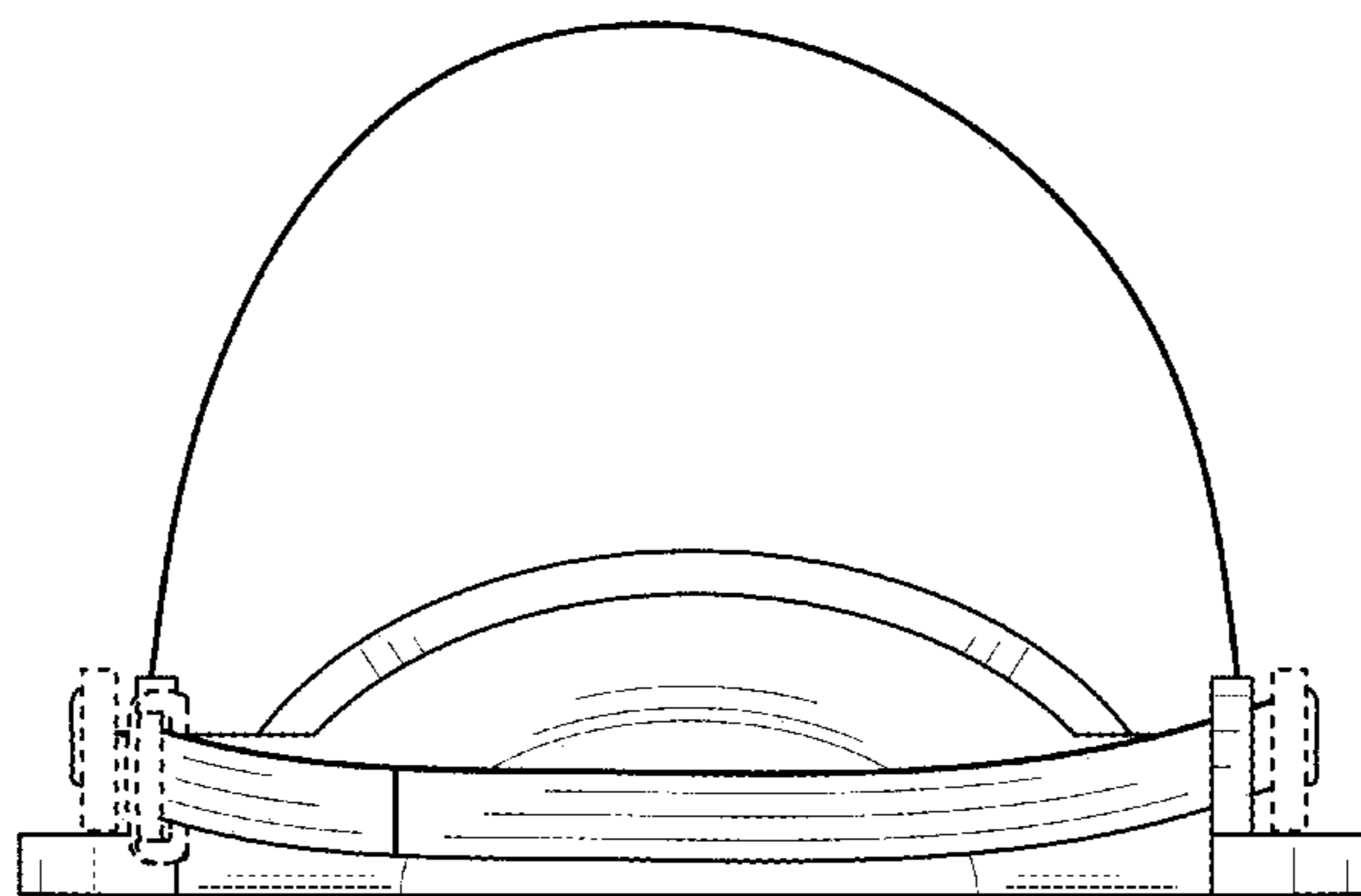


FIG. 3

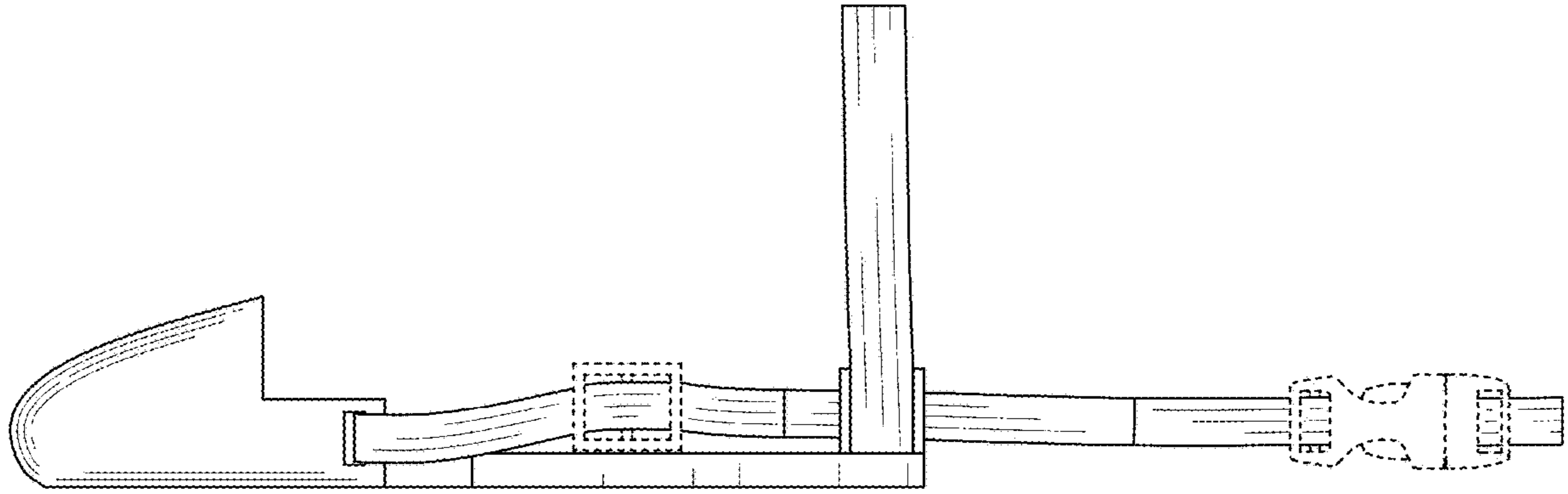


FIG. 4

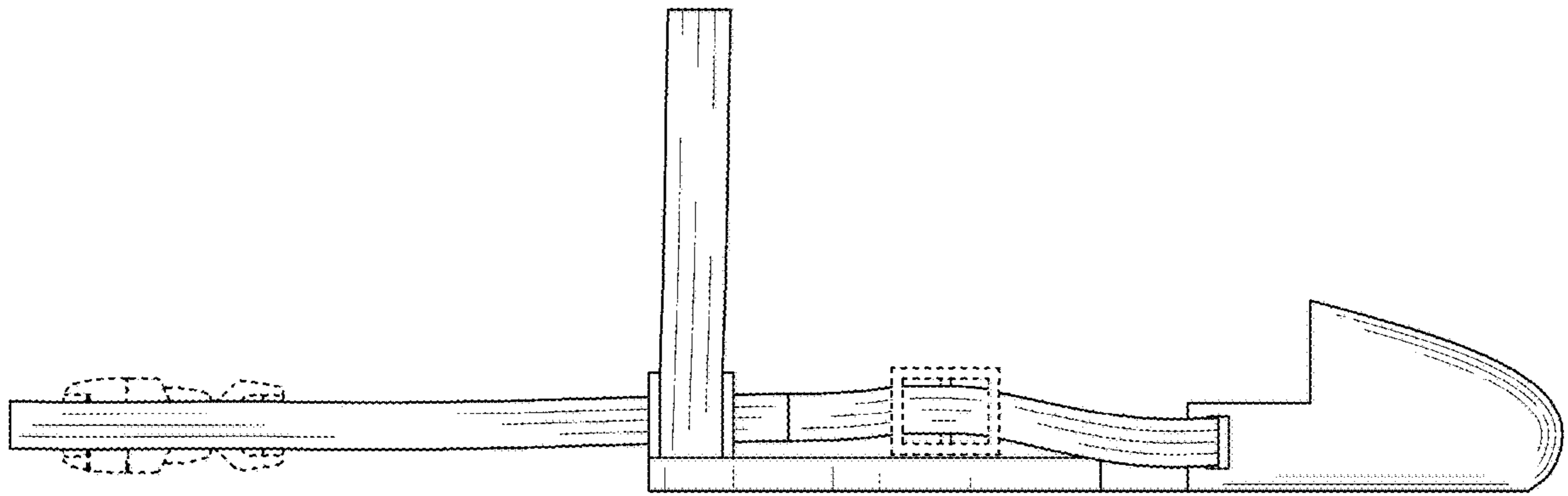


FIG. 5

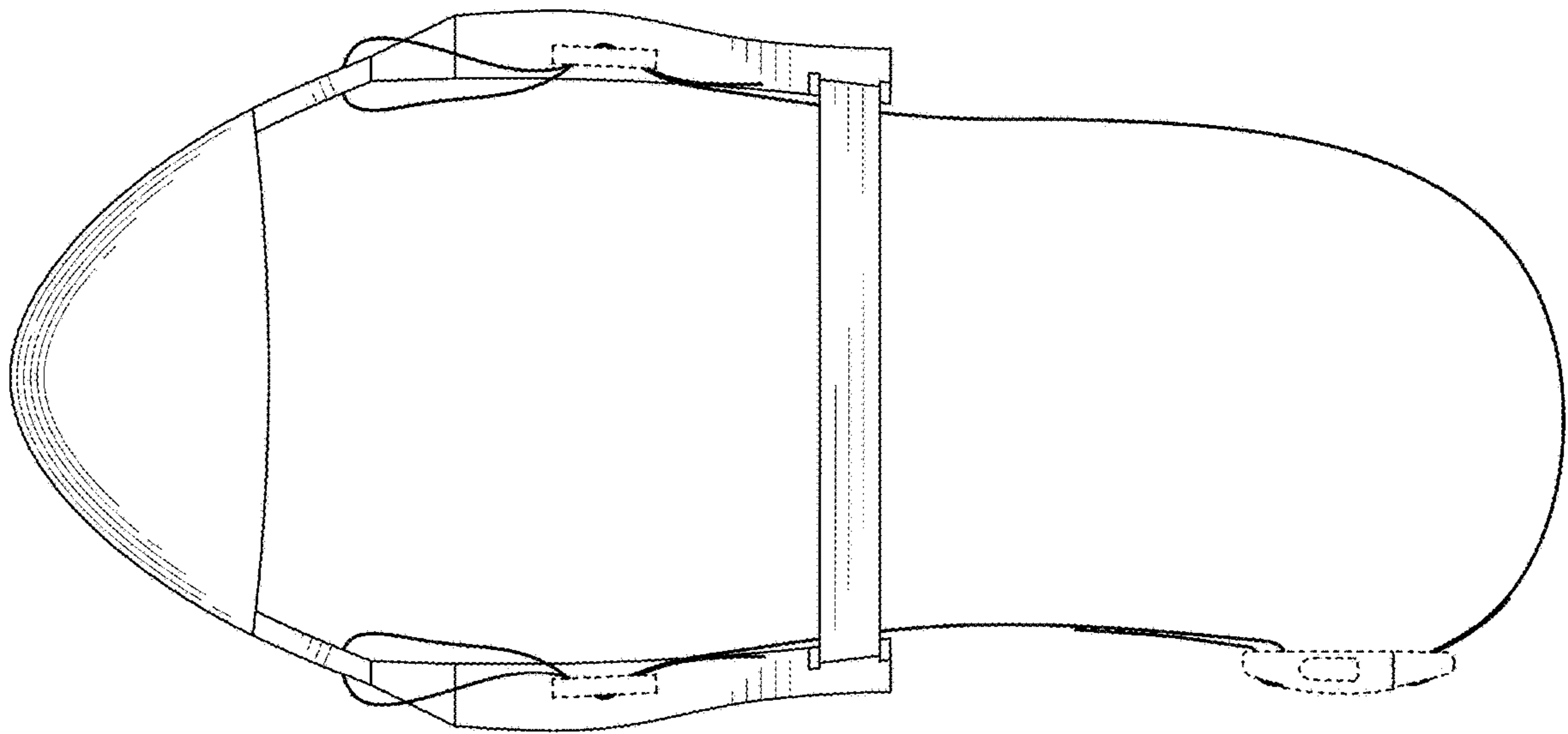


FIG. 6

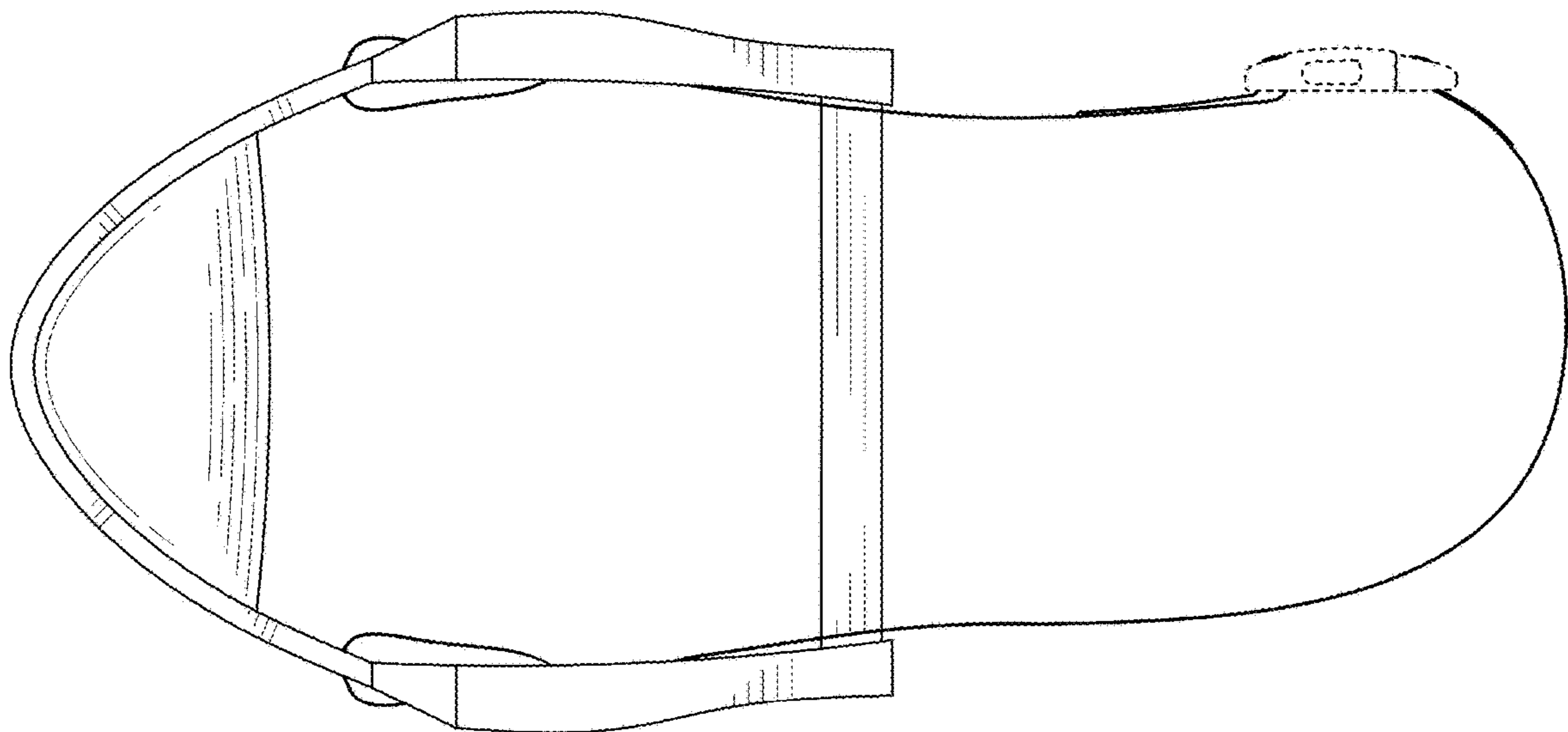


FIG. 7

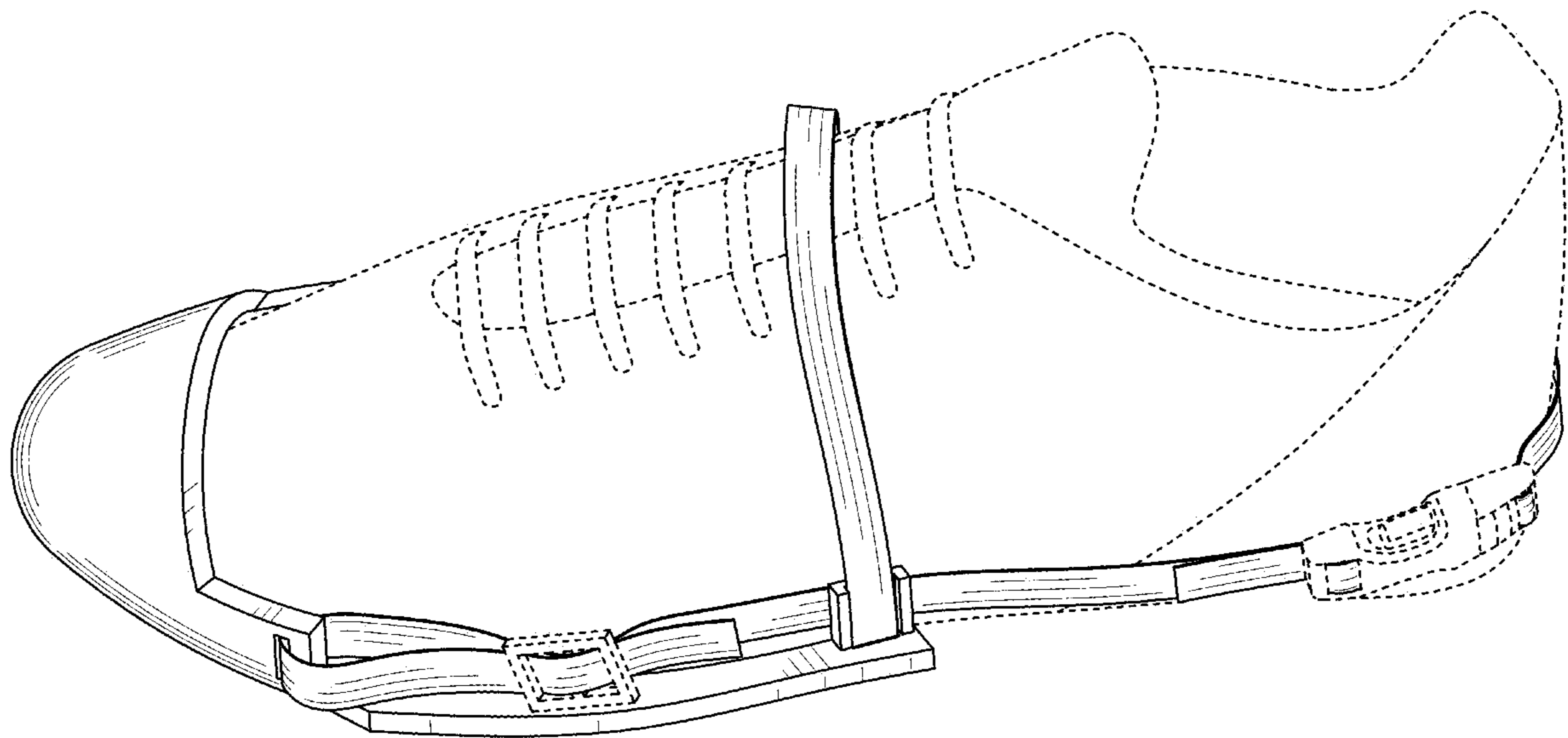


FIG. 8