

US00D995010S

(12) **United States Design Patent**
Zhang

(10) **Patent No.:** **US D995,010 S**

(45) **Date of Patent:** **** Aug. 8, 2023**

(54) **PET TOY**

(71) Applicant: **Shenzhen Deliren Technology Co., Ltd, Shenzhen (CN)**

(72) Inventor: **Chunfeng Zhang, Shenzhen (CN)**

(**) Term: **15 Years**

(21) Appl. No.: **29/884,382**

(22) Filed: **Feb. 10, 2023**

(30) **Foreign Application Priority Data**

Sep. 28, 2022 (CN) 202230646434.4

(51) **LOC (14) Cl.** **30-12**

(52) **U.S. Cl.**
USPC **D30/160**

(58) **Field of Classification Search**
USPC D30/160, 199; D26/26, 37, 38, 39, 46,
D26/49, 51; D15/199; D21/576, 578,
D21/584, 585, 617, 623
CPC A01K 15/02; A01K 15/021; A01K 15/025;
A01K 5/02; F21V 33/00; F21V 33/008;
A63H 33/22
See application file for complete search history.

(56) **References Cited**

U.S. PATENT DOCUMENTS

D294,180 S * 2/1988 Johnson D26/93
D560,008 S * 1/2008 Poon D26/39
D728,869 S * 5/2015 Li D14/218
D824,461 S * 7/2018 Chinn A01K 15/021
D14/189
D852,286 S * 6/2019 Chen D21/578
D933,495 S * 10/2021 Wang D10/15
D943,842 S 2/2022 Wang
D951,360 S 5/2022 Chen

D951,370 S * 5/2022 Zhang D15/199
D955,666 S * 6/2022 Tu D30/160
2008/0111697 A1* 5/2008 Hill A01K 15/021
340/573.3

FOREIGN PATENT DOCUMENTS

CN 305155506 * 5/2019
CN 307602682 * 10/2022
CN 307770284 * 1/2023

(Continued)

OTHER PUBLICATIONS

Titipet Laser Cat Toy, posted Jun. 18, 2021, retrieved Mar. 20, 2023 [online]. URL: <https://www.amazon.com/TITIPET-Rechargeable-Motion-Activated-Interactive/dp/B097FZS999> (Year: 2021).*

(Continued)

Primary Examiner — Sheryl Lane
Assistant Examiner — Emily A Caven
(74) *Attorney, Agent, or Firm* — Daniel M. Cohn;
Howard M. Cohn

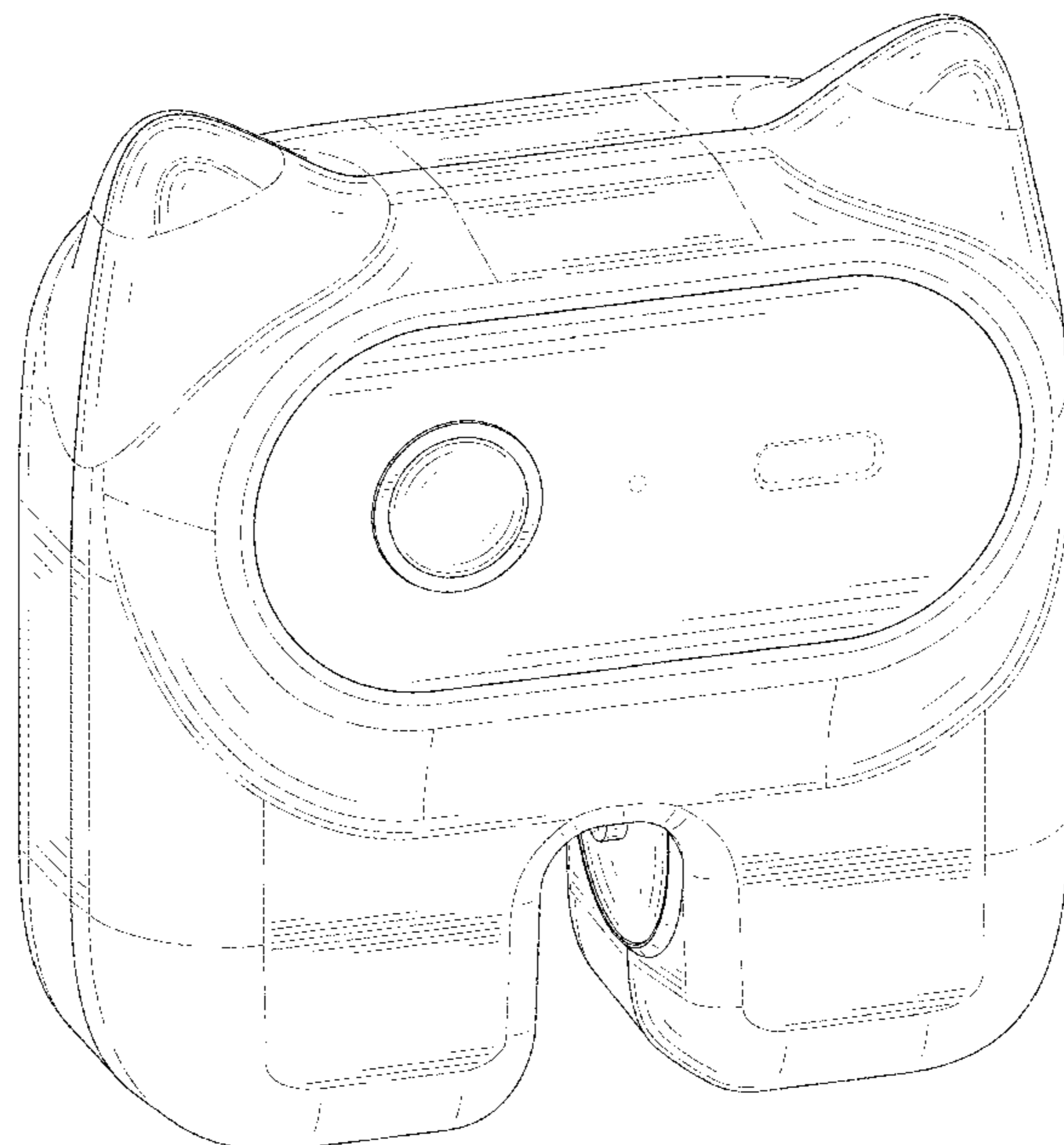
(57) **CLAIM**

The ornamental design for a pet toy, as shown and described.

DESCRIPTION

FIG. 1 is a perspective view of a pet toy showing my new design;
FIG. 2 is another perspective view thereof;
FIG. 3 is a front elevational view thereof;
FIG. 4 is a rear elevational view thereof;
FIG. 5 is a left side elevational view thereof;
FIG. 6 is a right side elevational view thereof;
FIG. 7 is a top plan view thereof; and,
FIG. 8 is a bottom plan view thereof.
The dash-dash broken lines in the drawings depict portions of the pet toy that form no part of the claimed design.

1 Claim, 8 Drawing Sheets



(56)

References Cited

FOREIGN PATENT DOCUMENTS

CN	307822899	*	1/2023
CN	307908408	*	3/2023

OTHER PUBLICATIONS

DeeCozy Automatic Lifting Cat Toy, posted Feb. 26, 2021, retrieved Mar. 21, 2023 [online]. URL: <https://www.amazon.de/-/en/Automatic-Lifting-Interactive-Interchangeable-Kittens/dp/B08XJYYV6X> (Year: 2021).*

* cited by examiner

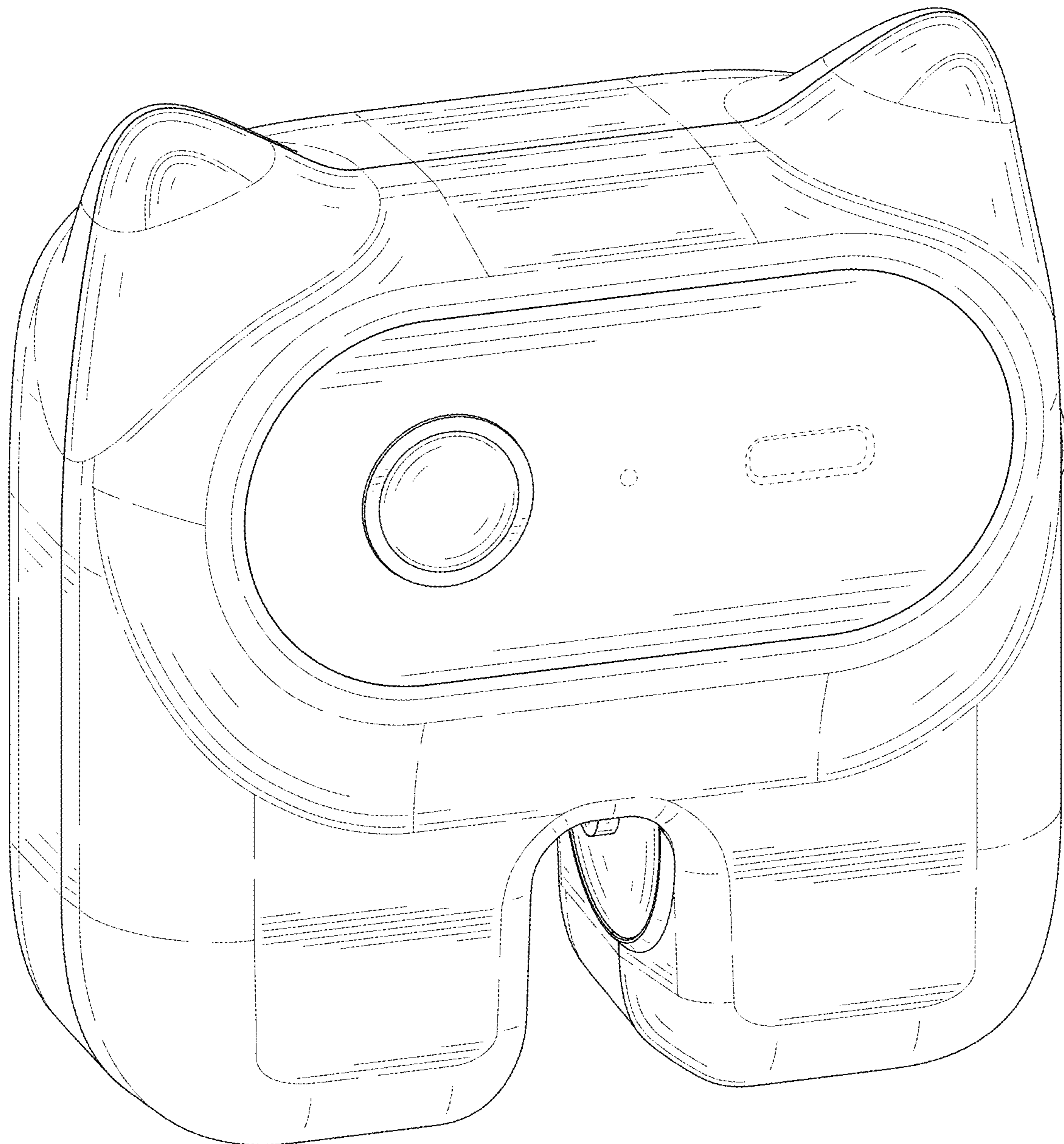


FIG. 1

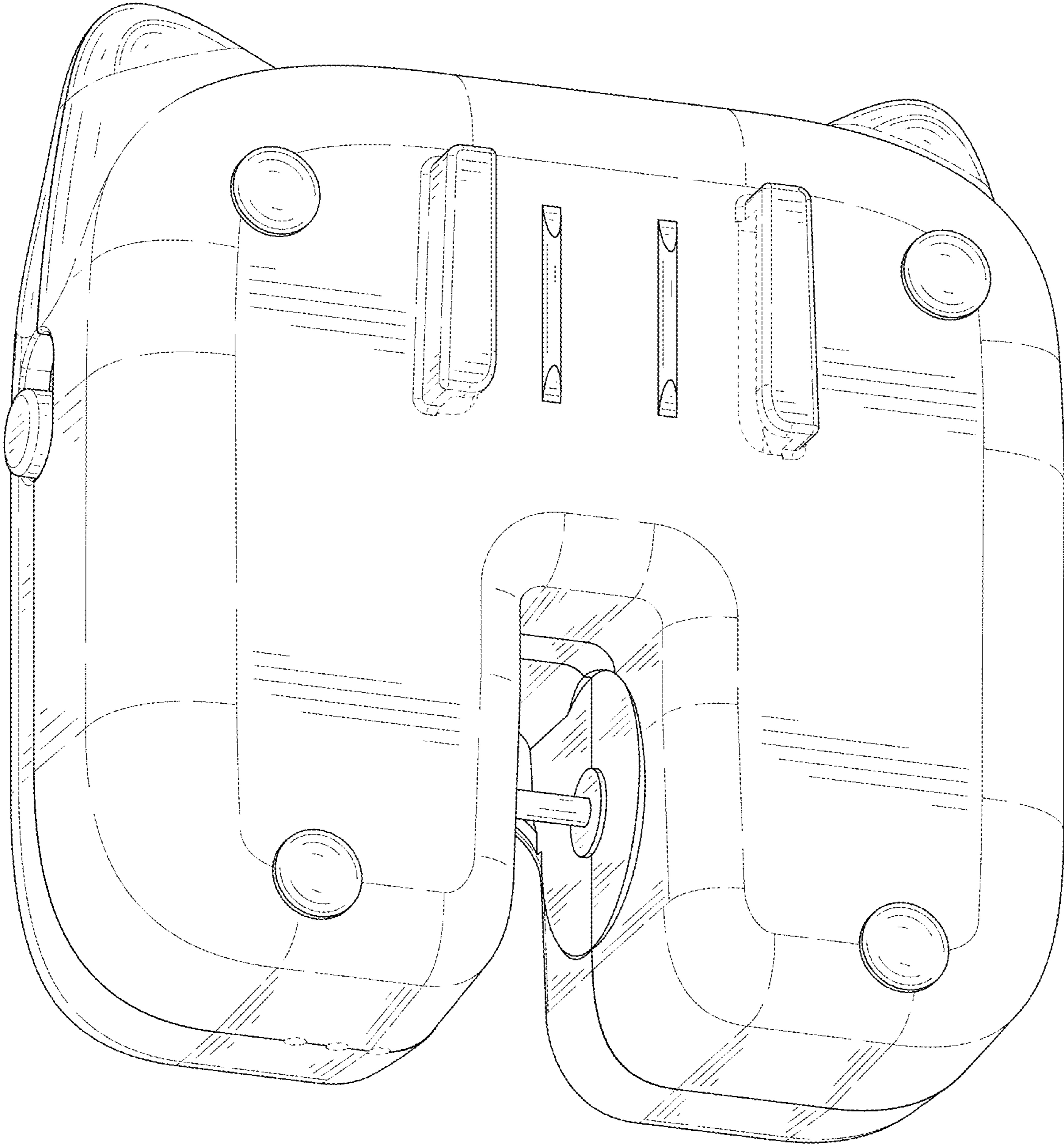


FIG. 2

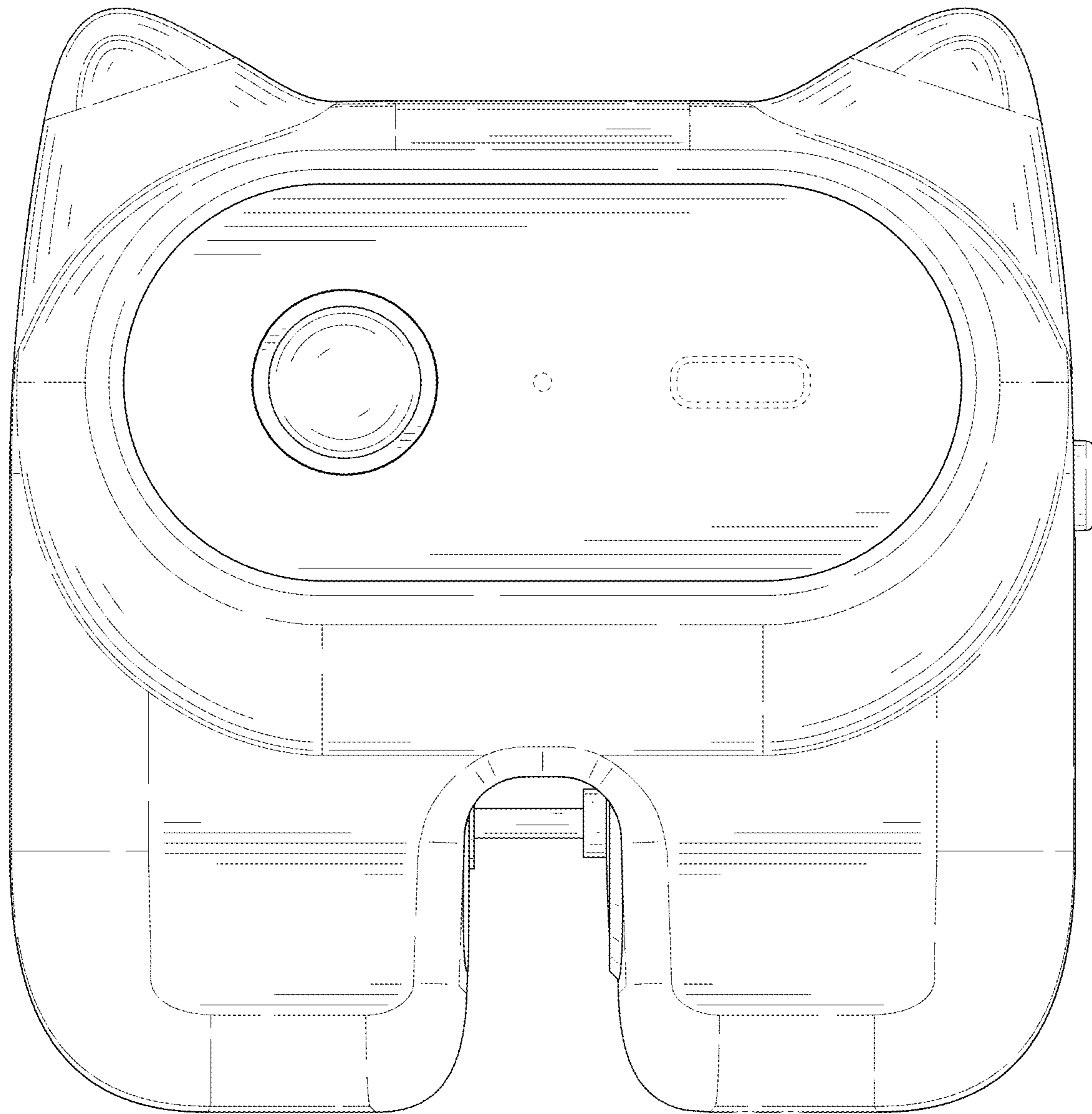


FIG. 3

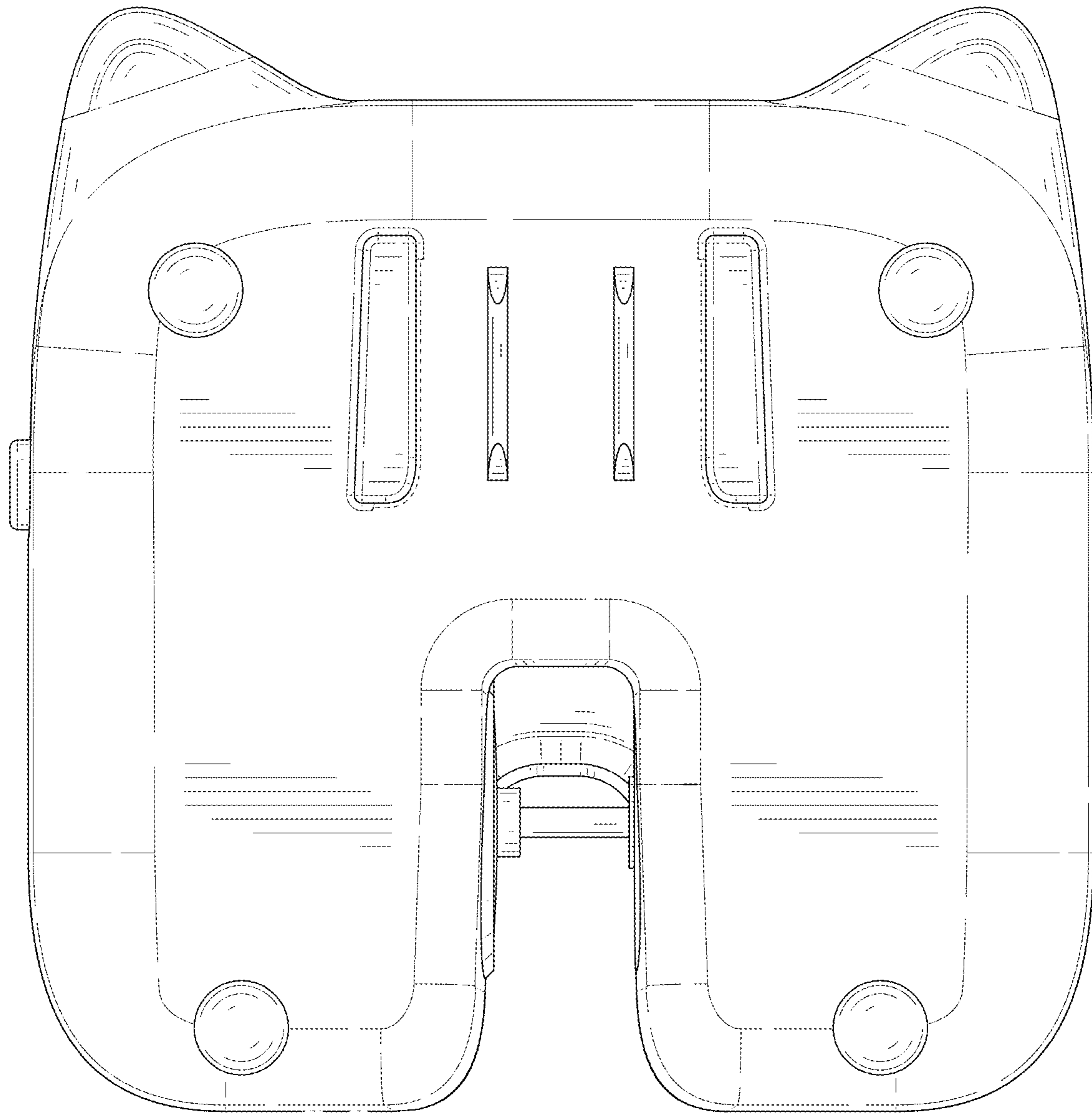


FIG. 4

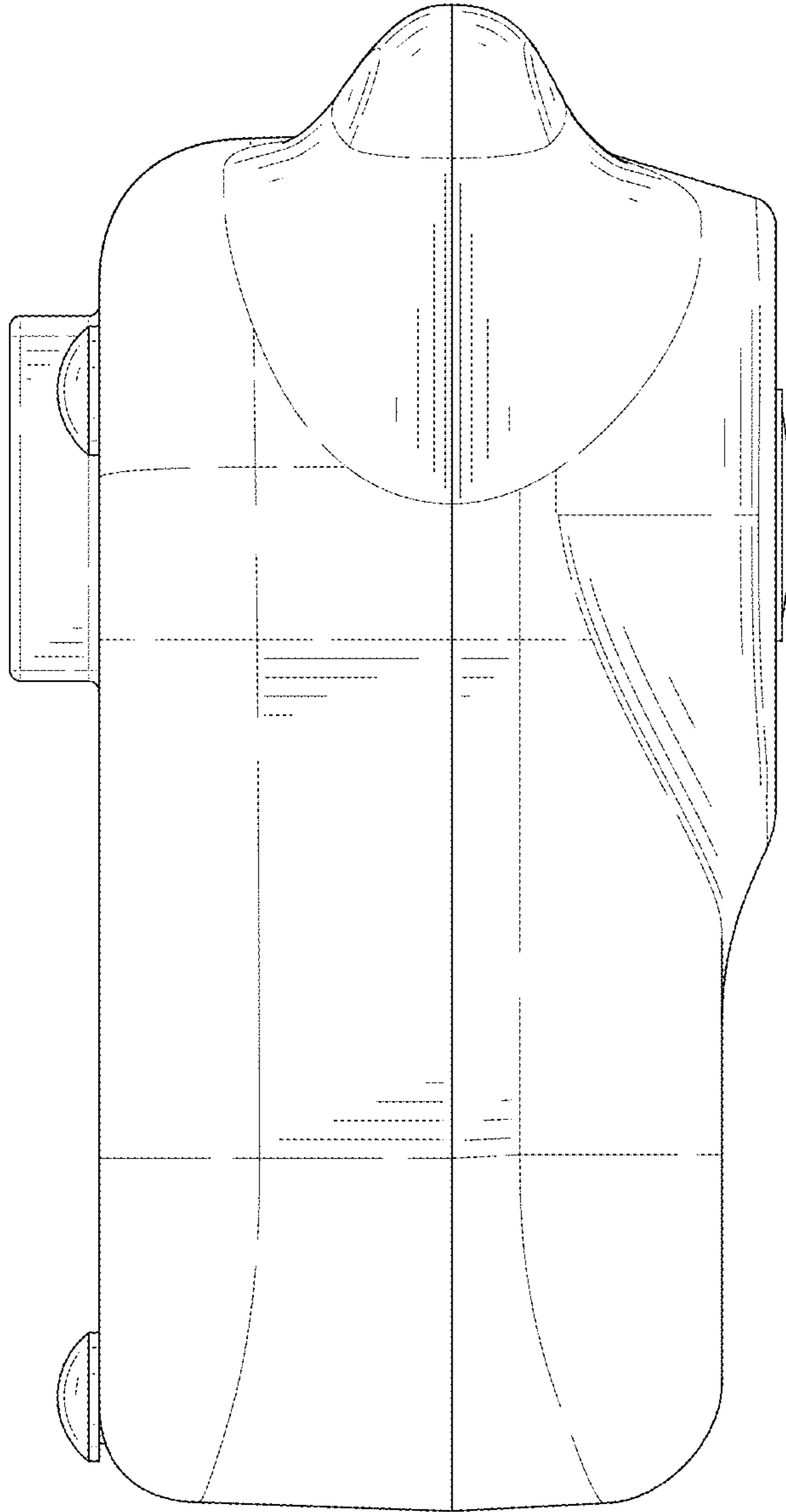


FIG. 5

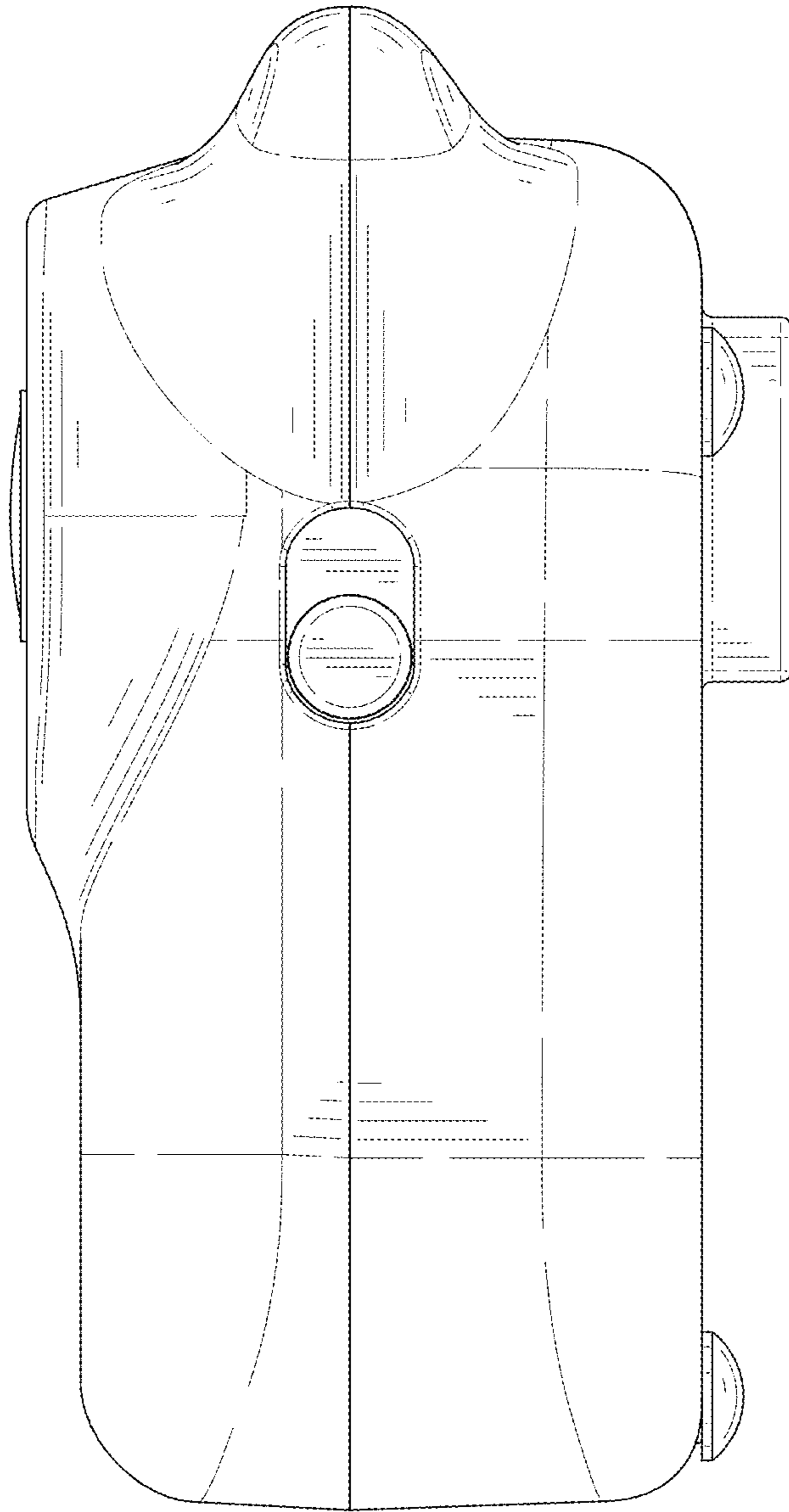


FIG. 6

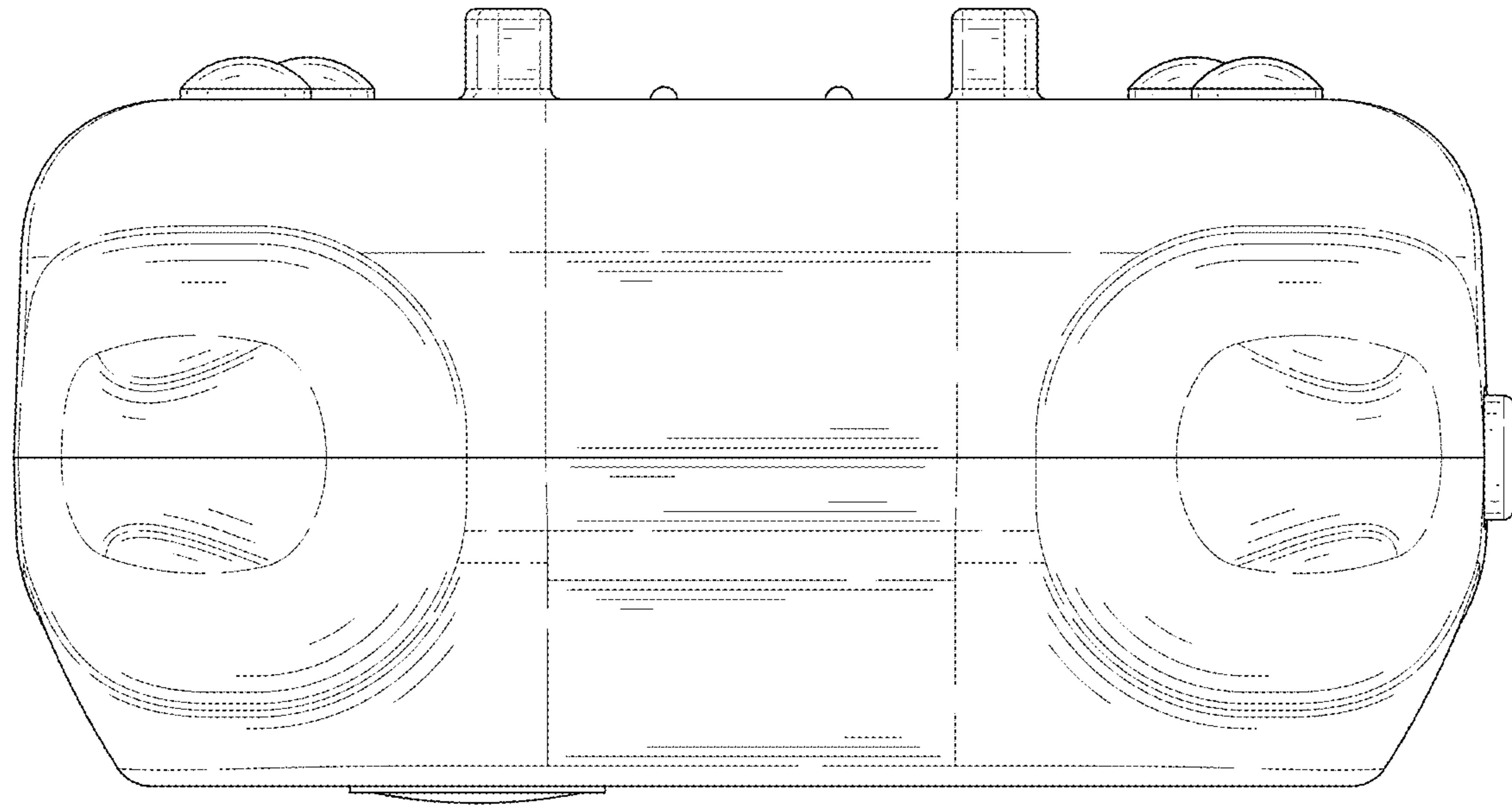


FIG. 7

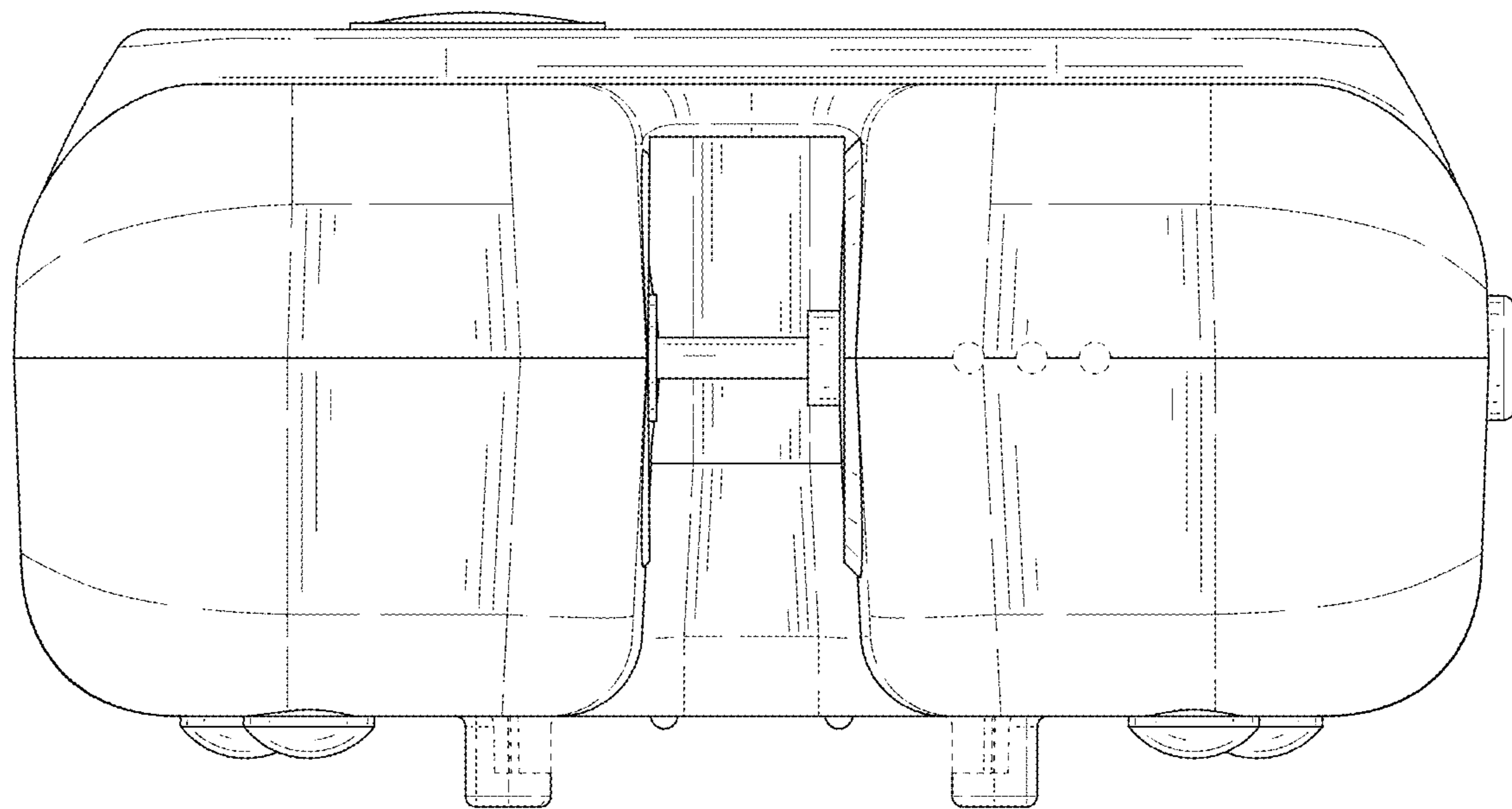


FIG. 8