



US00D994803S

(12) **United States Design Patent** (10) **Patent No.:** **US D994,803 S**
Smith (45) **Date of Patent:** **** Aug. 8, 2023**

(54) **EXERCISE COLLAR FOR WEIGHTLIFTING**

OTHER PUBLICATIONS

(71) Applicant: **Alfred Smith**, Sammamish, WA (US)

Ivanko, announced 2016[online], [site visited Apr. 16, 2023]. Available on internet, URL:https://www.amazon.com/COT-2-5-Compression-Olympic-Training-Collars/dp/B01FBNNWMS/ref (Year: 2016).*

(72) Inventor: **Alfred Smith**, Sammamish, WA (US)

* cited by examiner

(**) Term: **15 Years**

(21) Appl. No.: **29/829,405**

Primary Examiner — Khawaja Anwar

Assistant Examiner — Julice Seung Eun Oum

(22) Filed: **Mar. 4, 2022**

(74) *Attorney, Agent, or Firm* — Barry Choobin; Patent 360

(51) **LOC (14) Cl.** **21-02**

(52) **U.S. Cl.**
USPC **D21/694**

(57) **CLAIM**

(58) **Field of Classification Search**
USPC D21/682, 662, 684, 681, 680, 694, 675,
D21/677, 679

The ornamental design for an exercise collar for weightlifting, as shown and described.

See application file for complete search history.

DESCRIPTION

(56) **References Cited**

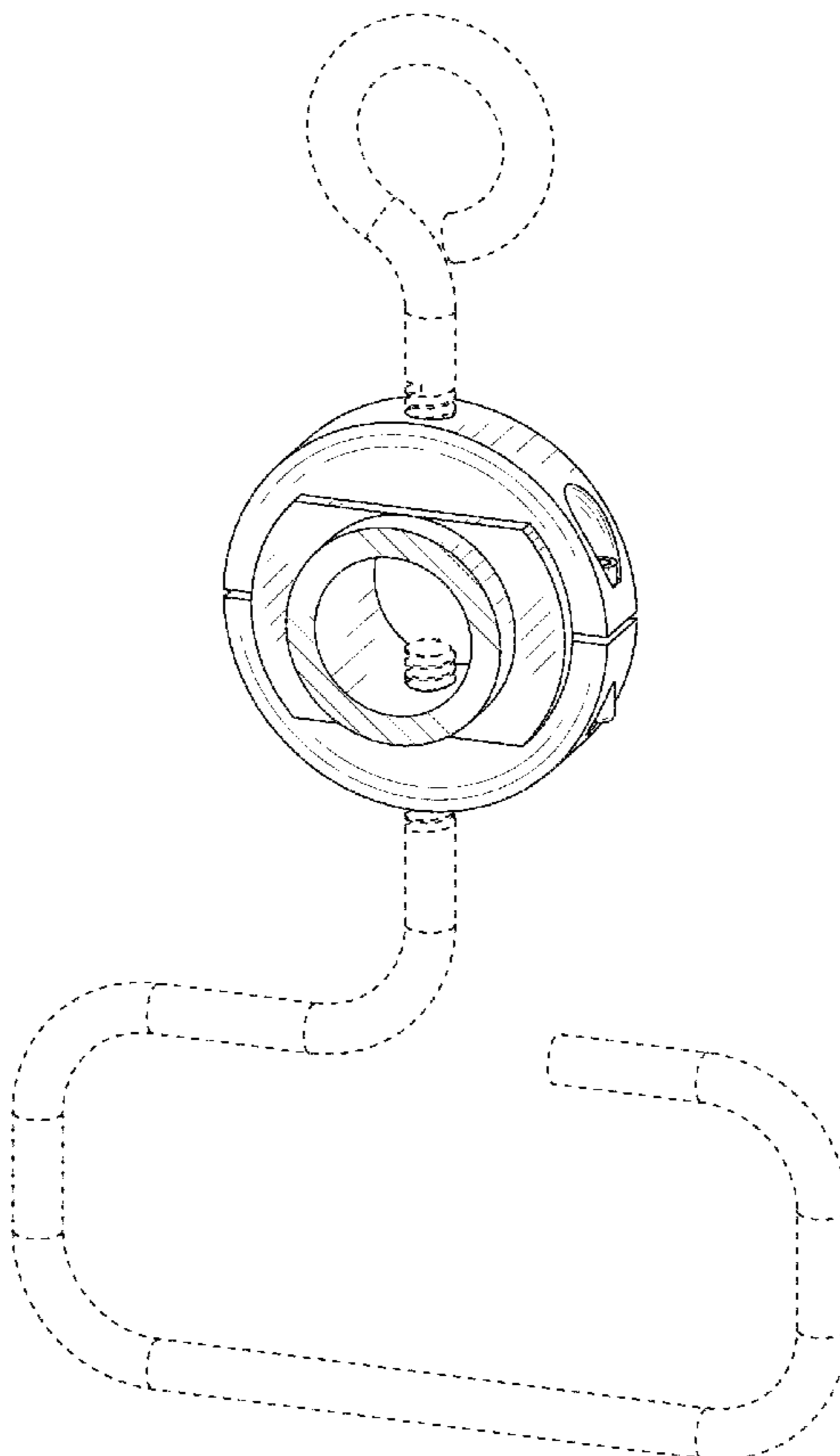
FIG. 1 is a perspective view of an exercise collar for weightlifting, showing my new design;
FIG. 2 is another perspective view thereof;
FIG. 3 is a front view thereof;
FIG. 4 is a rear view thereof;
FIG. 5 is a right side view thereof;
FIG. 6 is a left side view thereof;
FIG. 7 is a top view thereof; and,
FIG. 8 is a bottom view thereof.

U.S. PATENT DOCUMENTS

D278,358 S *	4/1985	Zwilling	D21/681
D432,602 S *	10/2000	Savage	D21/680
D597,613 S *	8/2009	Hillson	D21/681
D629,054 S *	12/2010	Mathews	D21/680
D643,075 S *	8/2011	Childs	D21/680
D722,348 S *	2/2015	Kessler	D21/680
D762,788 S *	8/2016	Slowey	D21/680
D857,130 S *	8/2019	Arceta	D21/680
D891,544 S *	7/2020	O'Brien	D21/694
D945,539 S *	3/2022	Chen	D21/680

The broken lines shown in the Figures depict environment and form no part of the claimed design.

1 Claim, 7 Drawing Sheets



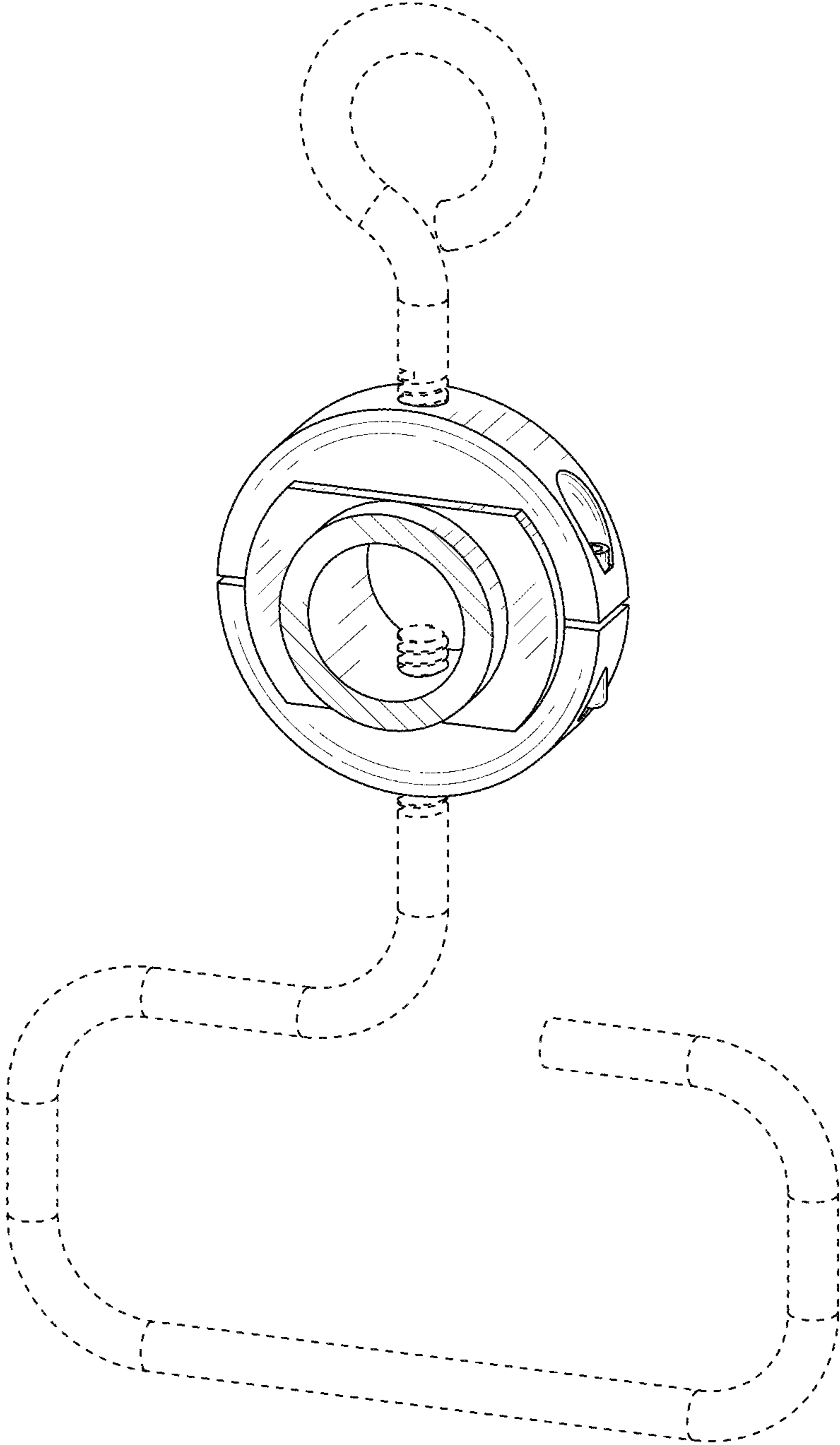


FIG. 1

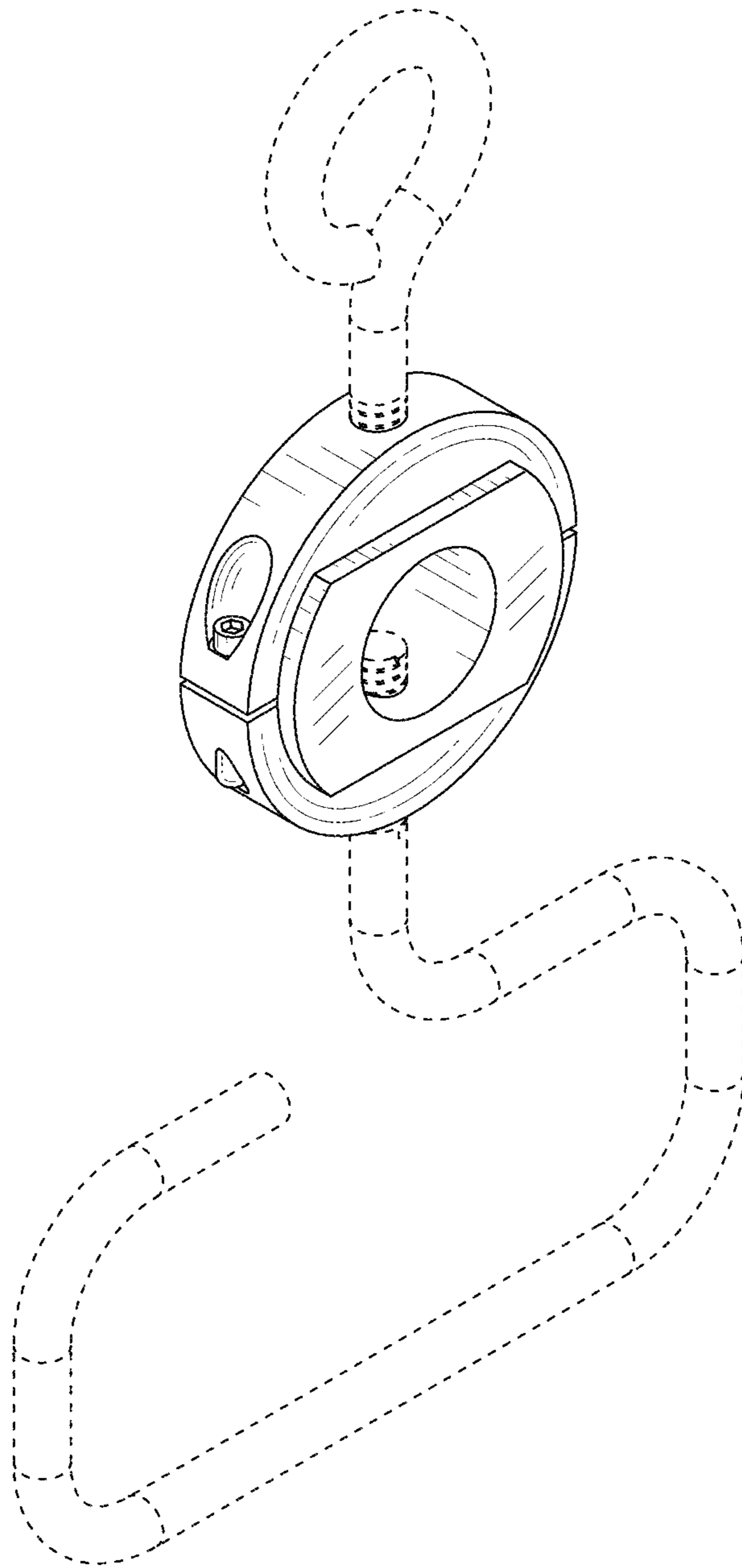


FIG. 2

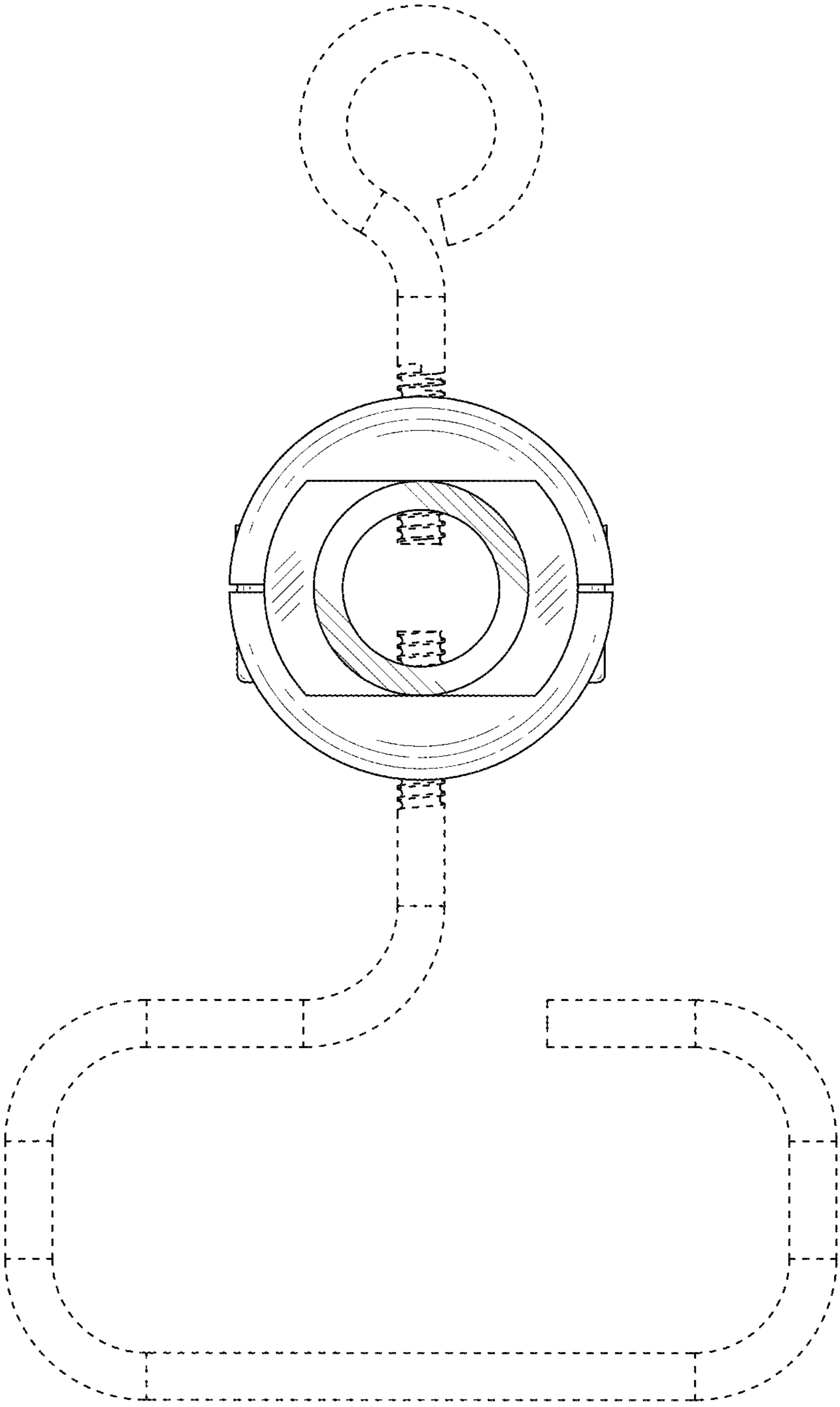


FIG. 3

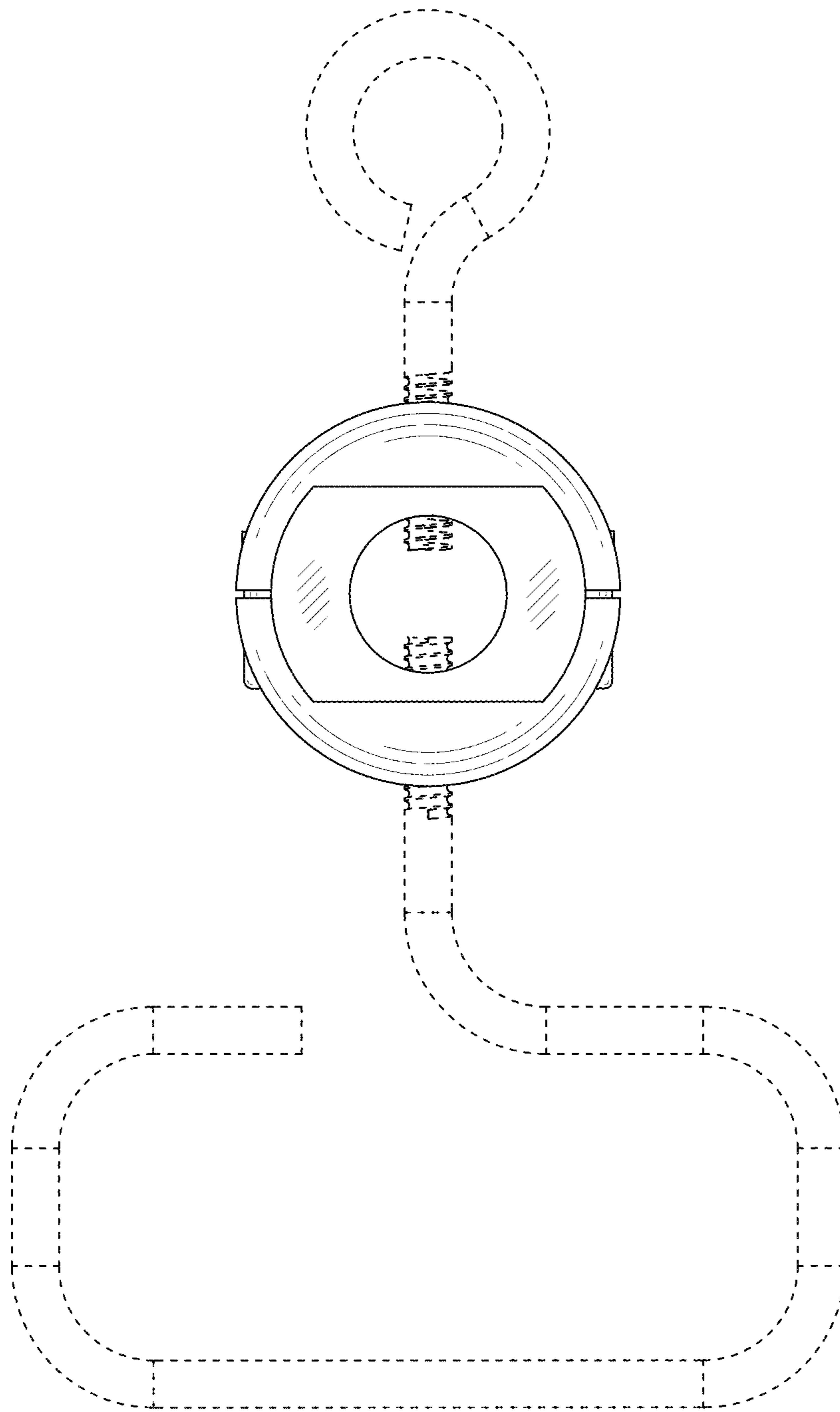


FIG. 4

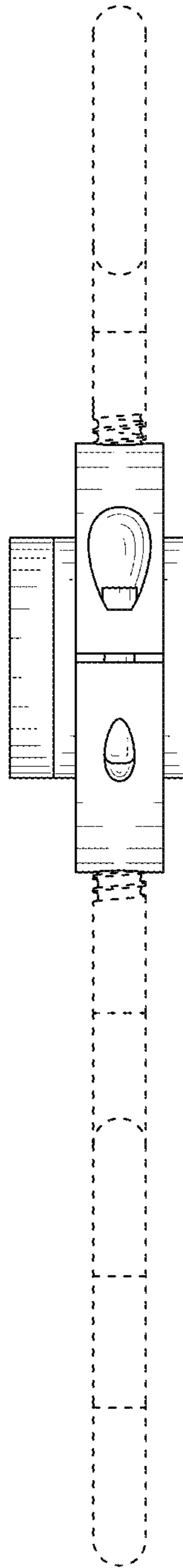


FIG. 5

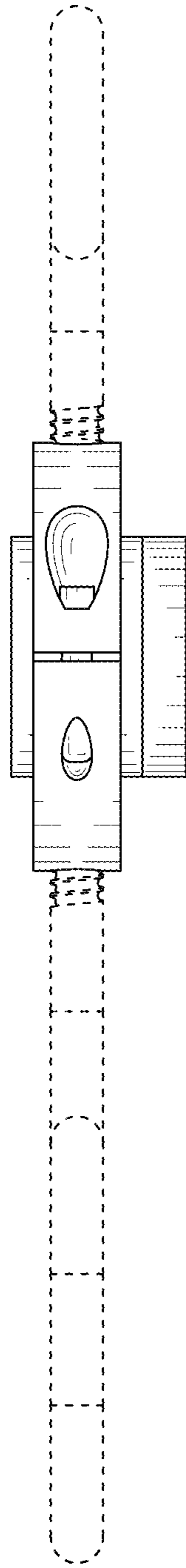


FIG. 6

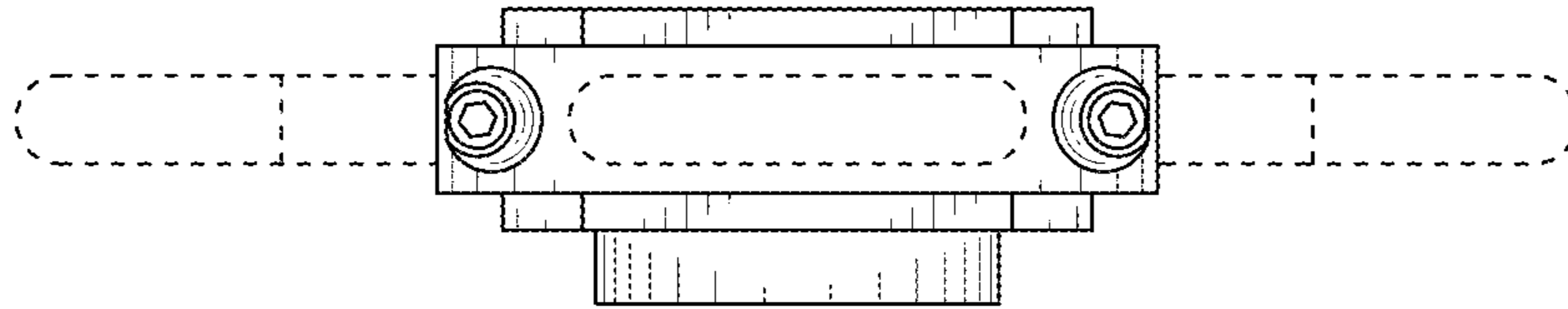


FIG. 7

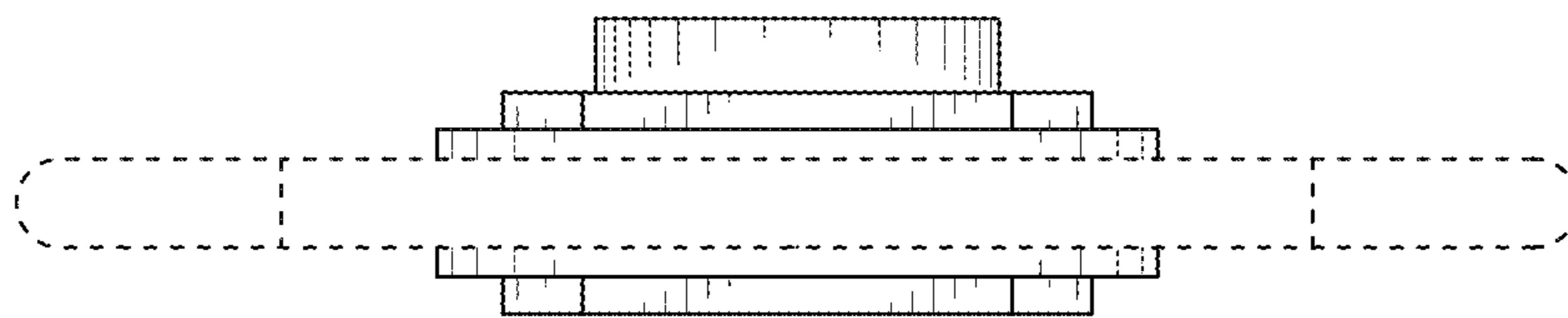


FIG. 8