



US00D994671S

(12) **United States Design Patent** (10) **Patent No.:** **US D994,671 S**
Nguyen (45) **Date of Patent:** **** Aug. 8, 2023**

(54) **USB CARD ASSEMBLY**

(71) Applicant: **Thuan Nguyen**, Dallas, TX (US)

(72) Inventor: **Thuan Nguyen**, Dallas, TX (US)

(**) Term: **15 Years**

(21) Appl. No.: **29/774,989**

(22) Filed: **Mar. 19, 2021**

(51) **LOC (14) Cl.** **14-02**

(52) **U.S. Cl.**
USPC **D14/435.1**

(58) **Field of Classification Search**

USPC D14/240, 242, 383, 385, 433, 434, 435,
D14/435.1, 438, 439, 480.1, 480.5, 480.7,
D14/484, 484.1; D13/108, 147
CPC G06F 2213/0042; G06F 21/85; G06F
13/385; H01R 13/6275

See application file for complete search history.

(56) **References Cited**

U.S. PATENT DOCUMENTS

D465,784 S *	11/2002	Lin	D14/435.1
D599,795 S *	9/2009	Lindley	D14/240
D619,128 S *	7/2010	Tong	D14/240
9,160,124 B2 *	10/2015	Colahan	H01R 31/06
D769,877 S *	10/2016	Akana	D14/433
D797,747 S *	9/2017	Xu	D14/433
D893,486 S *	8/2020	Liao	D13/147
D927,503 S *	8/2021	Li	D14/480.1

OTHER PUBLICATIONS

Lention USB C to SD_Micro SD Card Reader, first available May 2, 2019 [online], retrieved Mar. 10, 2023, available at URL: <https://a.co/d/cgcVMBH> (Year: 2019).*

Amazon.com_SD_Micro SD Card Reader for iPhone, first available Mar. 5, 2020 [online], retrieved Mar. 10, 2023, available at URL: <https://a.co/d/7eVLhYY> (Year: 2020).*

* cited by examiner

Primary Examiner — Wendy L Arminio

Assistant Examiner — Carrie S Gelula

(74) *Attorney, Agent, or Firm* — Law Office of Jeff Williams PLLC; J. Oliver Williams

(57) **CLAIM**

The ornamental design for a USB card assembly, as shown and described.

DESCRIPTION

FIG. 1 is a perspective view of a USB card assembly showing my new design;

FIG. 2 is a top view of the USB card assembly of FIG. 1.

FIG. 3 is a bottom view of the USB card assembly of FIG. 1.

FIG. 4 is a right view of the USB card assembly of FIG. 1.

FIG. 5 is a left view of the USB card assembly of FIG. 1.

FIG. 6 is a back view of the USB card assembly of FIG. 1.

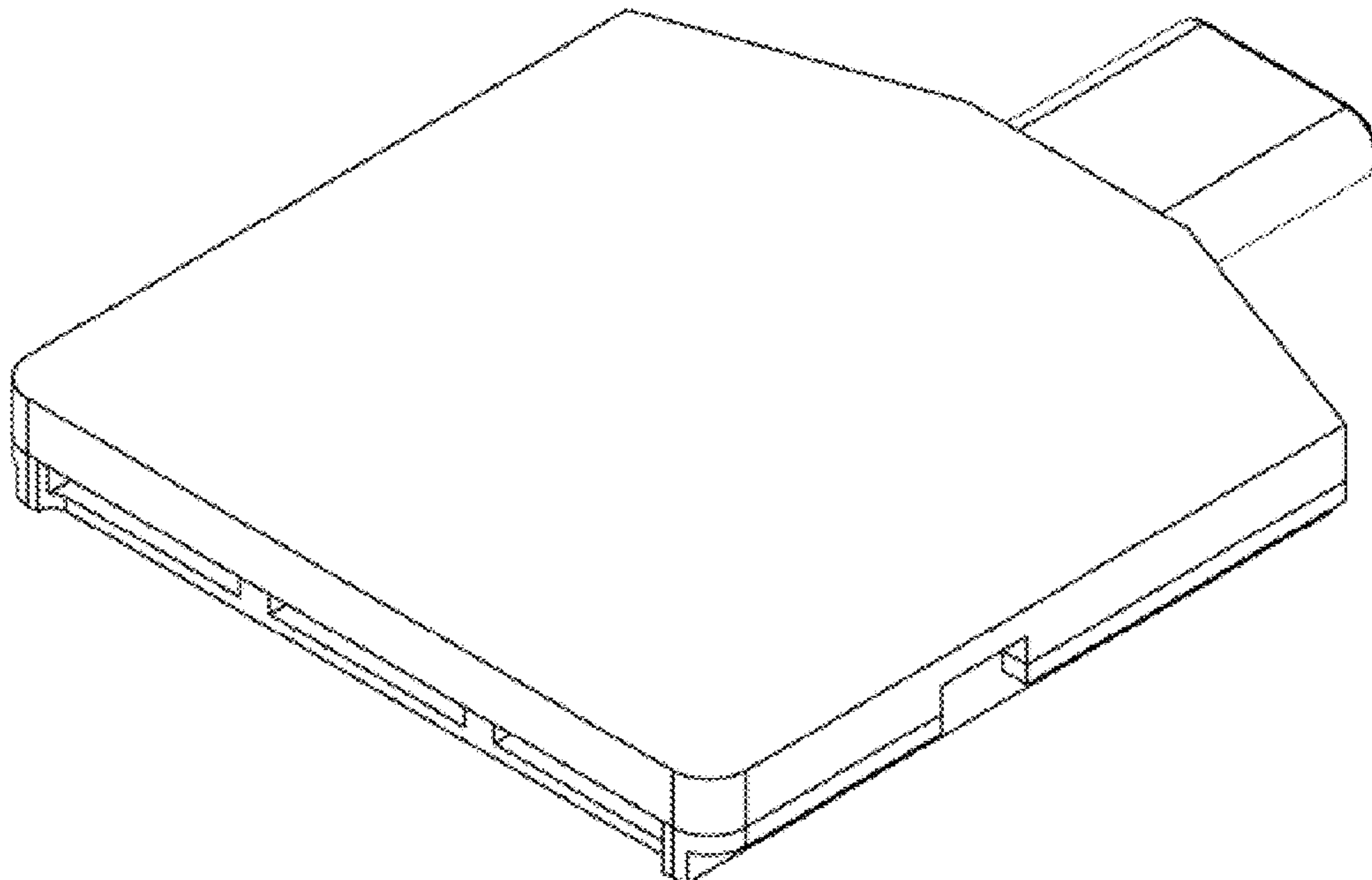
FIG. 7 is a front view of the USB card assembly of FIG. 1.

FIG. 8 is a lower rear perspective view of the USB card assembly of FIG. 1.

FIG. 9 is an upper rear perspective view of the USB card assembly of FIG. 1.

The broken lines shown in FIG. 6 are included for the purpose of illustrating environmental structure and form no part of the claimed design.

1 Claim, 6 Drawing Sheets



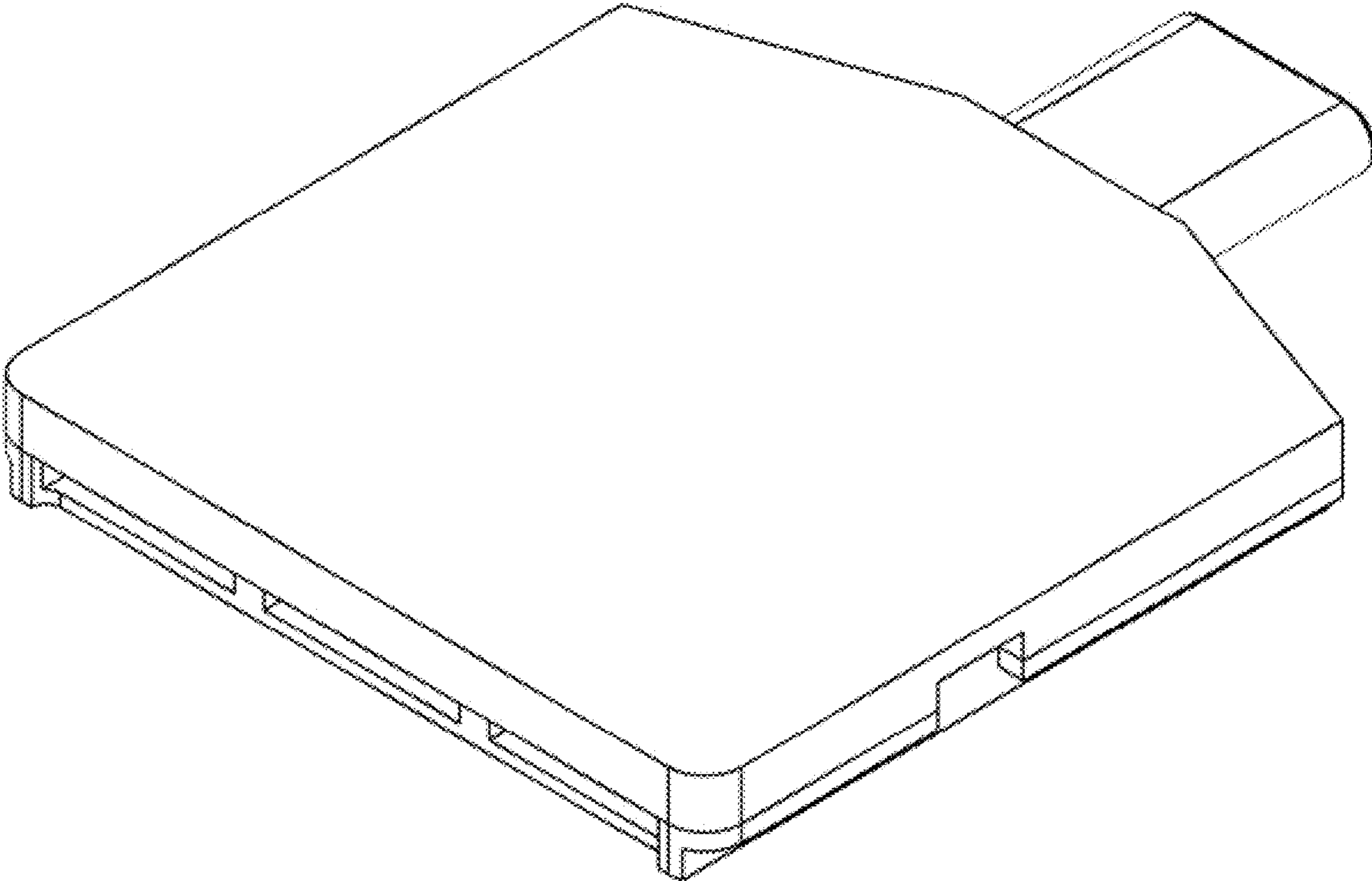


FIG. 1

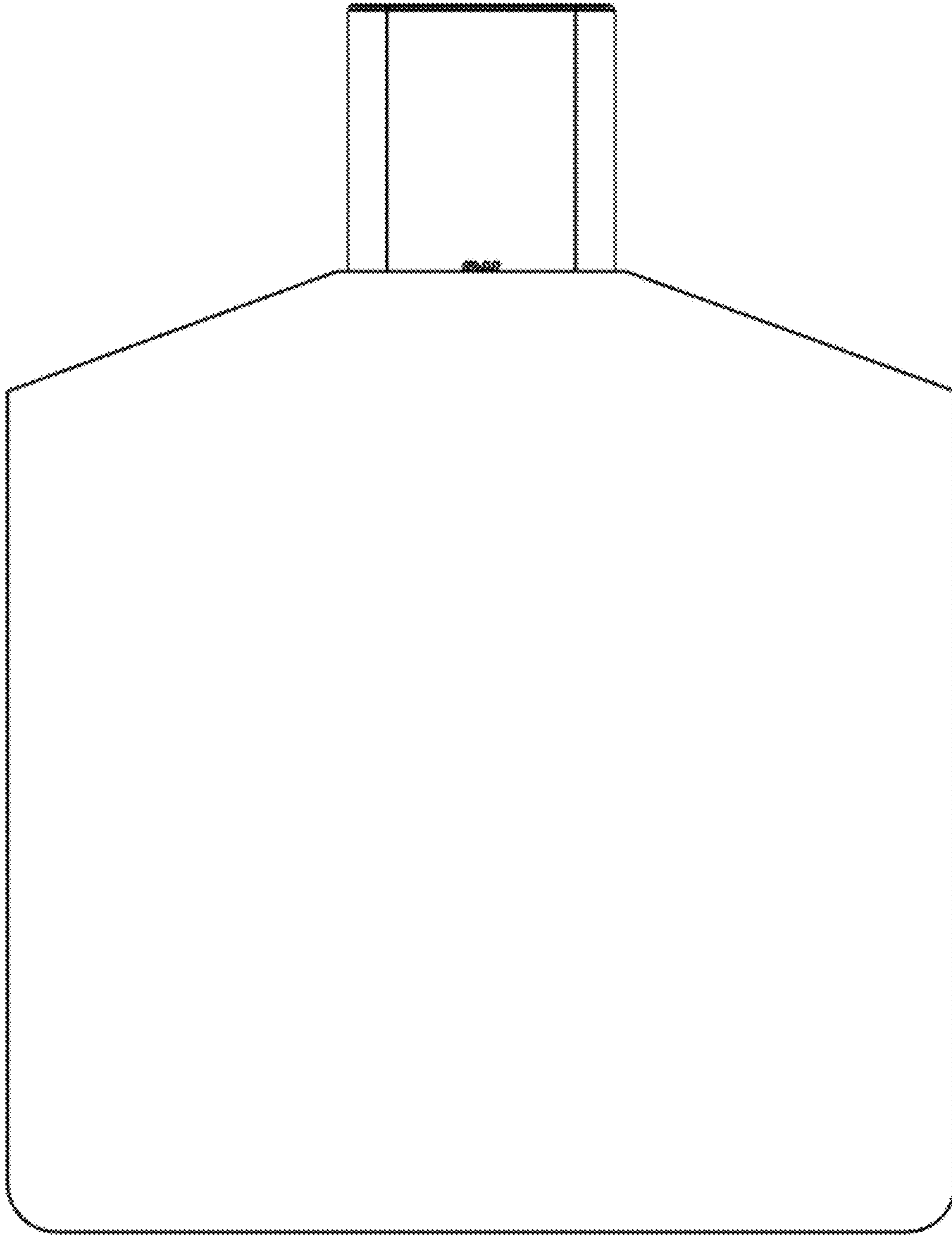


FIG. 2

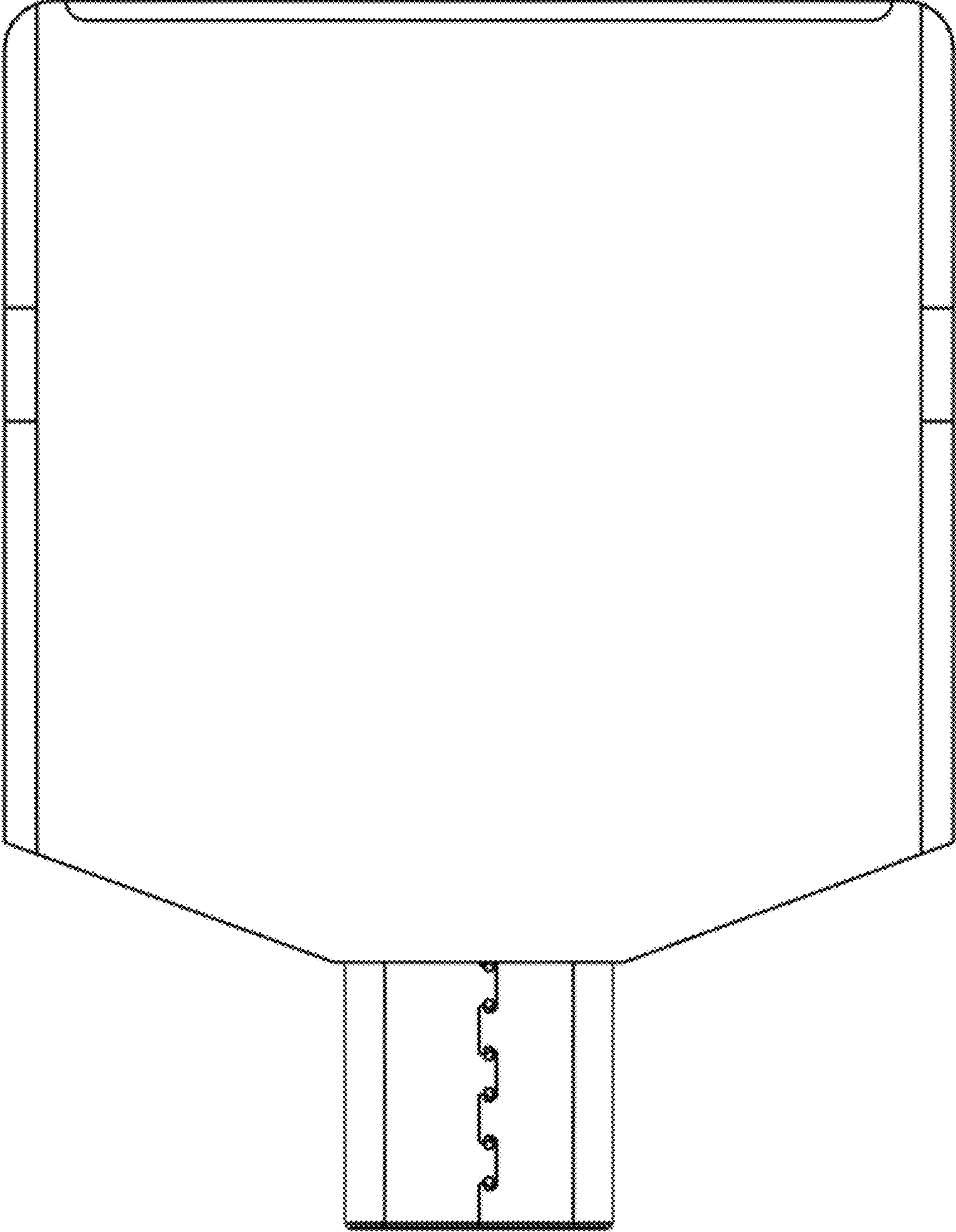


FIG. 3

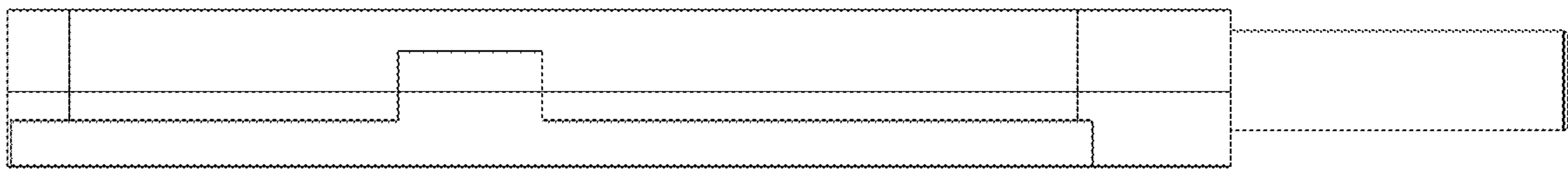


FIG. 4

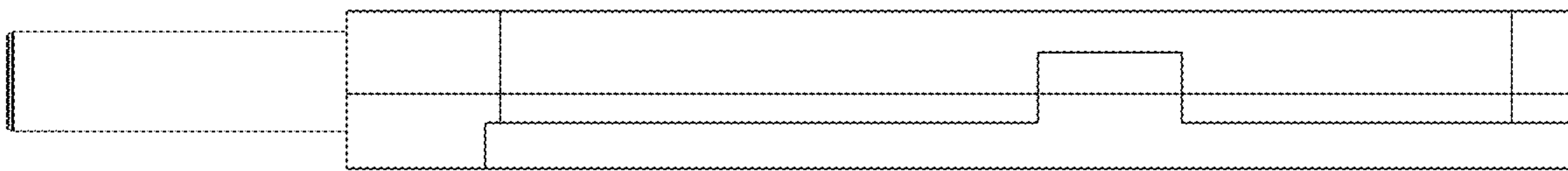


FIG. 5

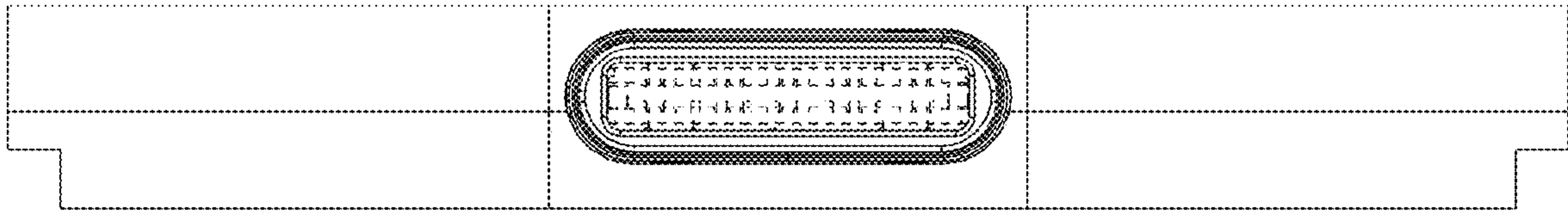


FIG. 6

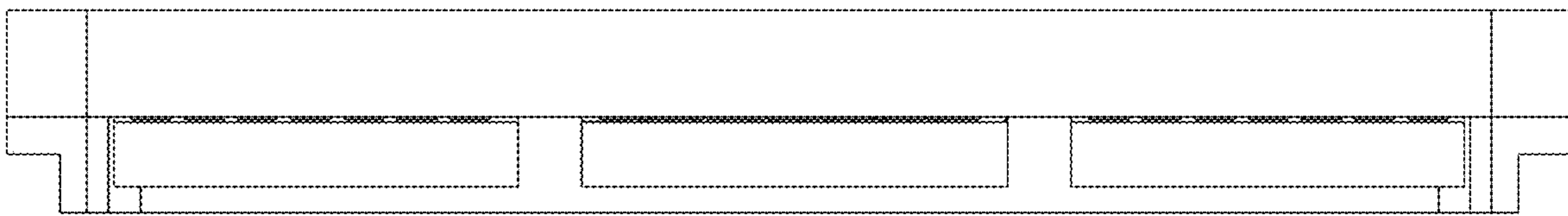


FIG. 7

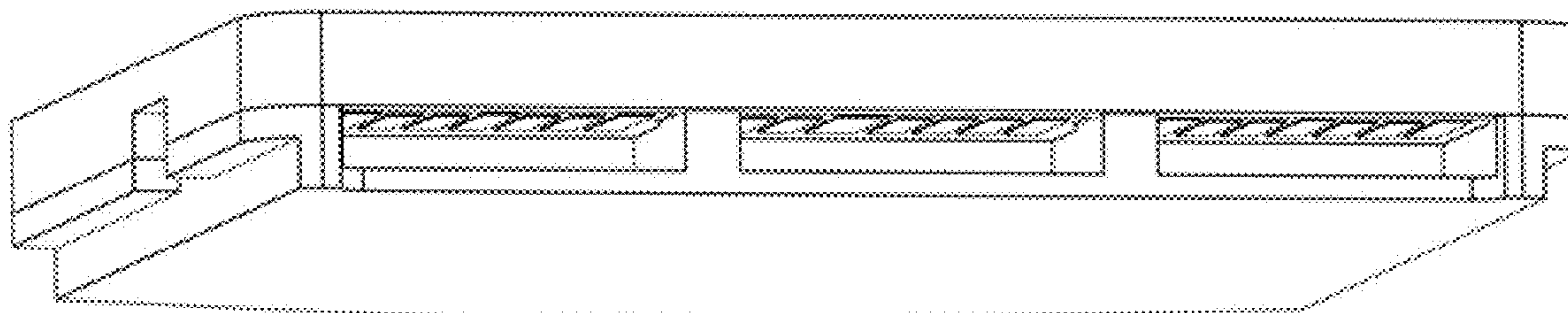


FIG. 8

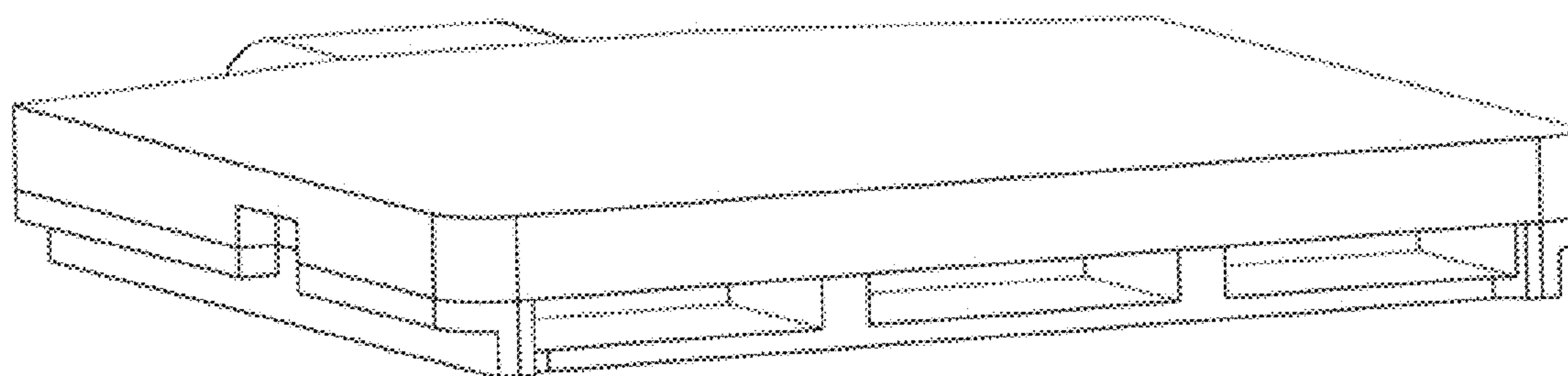


FIG. 9