



US00D994563S

(12) **United States Design Patent** (10) **Patent No.:** **US D994,563 S**
Medina et al. (45) **Date of Patent:** **** Aug. 8, 2023**

(54) **VEHICLE MIRROR COMPONENT**

D791,658 S 7/2017 Ito et al.
D798,209 S 9/2017 Tseng
D798,782 S 10/2017 Tseng

(71) Applicant: **PACCAR Inc**, Bellevue, WA (US)

(Continued)

(72) Inventors: **Dimitri Trinidad Medina**, Plano, TX (US); **Jon Forrest Acton**, Fort Worth, TX (US); **Troy Robin McCuller**, Argyle, TX (US)

OTHER PUBLICATIONS

“T800,” Kenworth Truck Company, 2002, 32-page brochure.
(Continued)

(73) Assignee: **PACCAR Inc**, Bellevue, WA (US)

Primary Examiner — Katrina A Betton

(**) Term: **15 Years**

(74) *Attorney, Agent, or Firm* — Seed IP Law Group LLP

(21) Appl. No.: **29/848,893**

(57) **CLAIM**

(22) Filed: **Aug. 5, 2022**

The ornamental design for a vehicle mirror component, as shown and described.

Related U.S. Application Data

DESCRIPTION

(62) Division of application No. 29/752,991, filed on Sep. 29, 2020, now Pat. No. Des. 963,538.

(51) **LOC (14) Cl.** **12-16**

(52) **U.S. Cl.**
USPC **D12/187**

(58) **Field of Classification Search**
USPC D12/187–189, 400; D6/300, 309
CPC G02B 7/182; G02B 5/08; G02B 7/18
See application file for complete search history.

FIG. 1 is a top perspective view of a vehicle mirror component, showing an embodiment of our new design.

FIG. 2 is a bottom perspective view thereof.

FIG. 3 is a front elevational view thereof.

FIG. 4 is a right side elevational view thereof.

FIG. 5 is a left side elevational view thereof.

FIG. 6 is a top plan view thereof.

FIG. 7 is a top perspective view of a vehicle mirror component, showing another embodiment of our new design, which is a mirror image of the vehicle mirror component shown in FIGS. 1-6.

FIG. 8 is a bottom perspective view thereof.

FIG. 9 is a rear elevational view thereof.

FIG. 10 is a right side elevational view thereof.

FIG. 11 is a left side elevational view thereof; and,

FIG. 12 is a top plan view thereof.

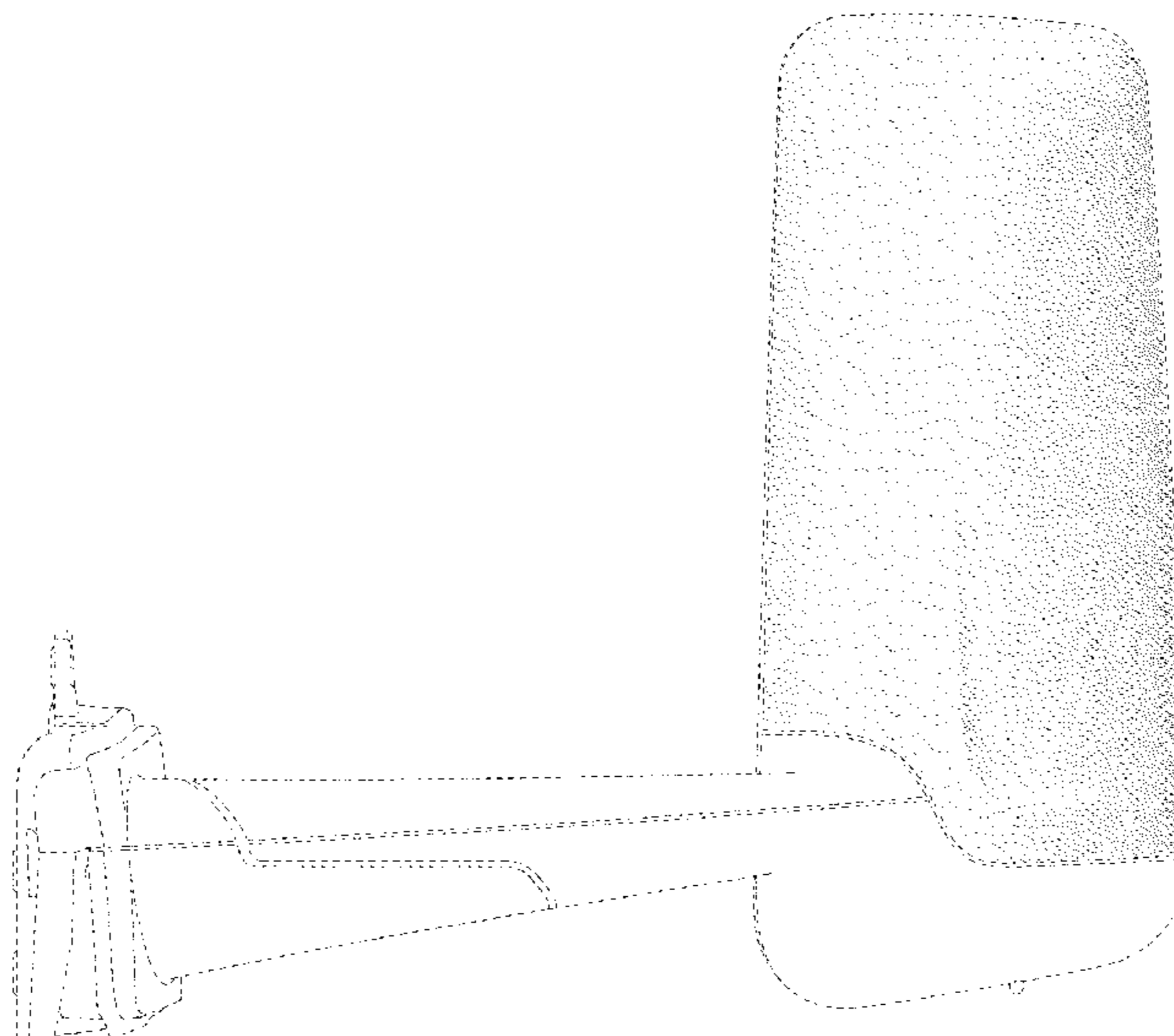
Stippling in the drawings represent the three-dimensional contours of the design, and is not intended to indicate surface decoration. The broken lines shown in the drawings depict portions of the vehicle mirror component or surrounding environment that form no part of the claimed design.

(56) **References Cited**

U.S. PATENT DOCUMENTS

| | | | |
|--------------|---------|-------------------|---------|
| D302,964 S | 8/1989 | Fingerle | |
| D318,837 S | 8/1991 | Richardson et al. | |
| D325,017 S * | 3/1992 | Richardson | D12/187 |
| D575,710 S | 8/2008 | Zimmer et al. | |
| D690,635 S * | 10/2013 | Hovind | D12/187 |
| D696,170 S * | 12/2013 | Ito | D12/187 |
| D702,607 S | 4/2014 | Hall et al. | |
| D702,608 S * | 4/2014 | Hall | D12/187 |
| D702,609 S | 4/2014 | Hovind et al. | |
| D702,610 S * | 4/2014 | Hall | D12/187 |
| D714,710 S | 10/2014 | Hall et al. | |

1 Claim, 12 Drawing Sheets



(56)

References Cited

U.S. PATENT DOCUMENTS

| | | | |
|--------------|---------|----------------|---------|
| D815,577 S | 4/2018 | Chiang | |
| D889,339 S | 7/2020 | Chen et al. | |
| D909,939 S * | 2/2021 | Von Holzhausen | D12/187 |
| D914,563 S | 3/2021 | Triebold | |
| D930,534 S | 9/2021 | He | |
| D930,535 S | 9/2021 | He | |
| D932,403 S | 10/2021 | Jenkins et al. | |
| D938,328 S * | 12/2021 | Medina | D12/187 |
| D938,876 S * | 12/2021 | Medina | D12/187 |
| D938,877 S * | 12/2021 | Medina | D12/187 |
| D955,947 S * | 6/2022 | Medina | D12/187 |
| D958,034 S * | 7/2022 | Medina | D12/187 |
| D963,538 S * | 9/2022 | Medina | D12/187 |
| D963,539 S * | 9/2022 | Dakhil | D12/187 |

OTHER PUBLICATIONS

“T800,” Kenworth Truck Company, 2003, 32-page brochure.
 “T800,” Kenworth Truck Company, 2005, 28-page brochure.
 “T800,” Kenworth Truck Company, 2009, 28-page brochure.
 “T800B,” Kenworth Truck Company, 1993, 8-page brochure.
 Peterbilt Motors Company, “The Working Class,” Sep. 1976, 6-page brochure.
 “The World’s Best,” Kenworth Truck Company, 1992, 12-page brochure.
 “W900,” Kenworth Truck Company, 1996, 7-page brochure.
 “W900,” Kenworth Truck Company, 2002, 32-page brochure.
 “W900,” Kenworth Truck Company, 2005, 28-page brochure.
 “W900,” Kenworth Truck Company, 2009, 28-page brochure.
 Kenworth Truck Company, “W900L AeroCab,” 1994, 2-page brochure.
 Kenworth Truck Company, “AeroCab,” 1993, 5-page brochure.
 “AeroCab,” Kenworth Truck Company, as early as 1995, 3-page brochure.
 “C500B,” Kenworth Truck Company, as early as 1990, 4-page brochure.
 Peterbilt Motors Company, “Class Pays, Medium Duty,” Sep. 2000, 12-page brochure.
 “Class Pays, Truck Models,” Peterbilt Motors Company, Mar. 2005, 24-page brochure.
 “Class Pays,” Peterbilt Motors Company, Nov. 1998, 10-page brochure.
 Peterbilt Motors Company, “Class Pays,” Sep. 1997, 10-page brochure.
 “Class Pays, Construction Trucks,” Peterbilt Motors Company, Nov. 2003, 16-page brochure.
 “Kenworth Truck Models,” Kenworth Truck Company, 2010, 16-page brochure.
 Peterbilt Motors Company, “Model 330,” Oct. 1997, 3-page brochure.

Peterbilt Motors Company, “Model 379,” Apr. 2005, 2-page brochure.
 Peterbilt Motors Company, “Model 379,” Mar. 1996, 5-page brochure.
 Peterbilt Motors Company, “Rest with Class,” Apr. 1978, 4-page brochure.
 “T170 Class 5,” Kenworth Truck Company, 2008, 4-page brochure.
 “T270 Class 6 and T370 Class 7,” Kenworth Truck Company, 2008, 6-page brochure.
 “T270 Class 6 and T3 70 Class 7,” Kenworth Truck Company, 2009, 6-page brochure.
 “T270 Class 6 and T3 70 Class 7 Hybrid,” Kenworth Truck Company, 2009, 6-page brochure.
 “T680,” Kenworth Truck Company, 2013, 34-page brochure.
 “T680,” Kenworth Truck Company, 2016, 34-page brochure.
 “T880,” Kenworth Truck Company, 2017, 32-page brochure.
 “Model 579,” Peterbilt Motors Company, Oct. 2013, 13-page brochure.
 “Medium Duty,” Peterbilt Motors Company, 2013, 9-page brochure.
 “On-Highway,” Peterbilt Motors Company, 2013, 13-page brochure.
 “Vocational,” Peterbilt Motors Company, 2013, 11-page brochure.
 “T440,” Kenworth Truck Company, 2010, 6-page brochure.
 “T470,” Kenworth Truck Company, 2010, 6-page brochure.
 “T470H,” Kenworth Truck Company, 2009, 2-page brochure.
 “Model 220,” Peterbilt Motors Company, 2019, 2-page brochure.
 “220EV,” Peterbilt Motors Company, 2020, 5-page brochure.
 “Model 3 3 7,” Peterbilt Motors Company, 2020, 2-page brochure.
 “Model 389,” Peterbilt Motors Company, 2019, 2-page brochure.
 “Model 348,” Peterbilt Motors Company, 2019, 2-page brochure.
 “Model 520,” Peterbilt Motors Company, 2019, 2-page brochure.
 “Model 567,” Peterbilt Motors Company, 2020, 16-page brochure.
 “567 Heritage,” Peterbilt Motors Company, 2017, 2-page brochure.
 “Model 579,” Peterbilt Motors Company, 2019, 28-page brochure.
 “C500,” Kenworth Truck Company, 2012, 2-page brochure.
 “T680,” Kenworth Truck Company, 2019, 40-page brochure.
 “T800,” Kenworth Truck Company, 2012, 28-page brochure.
 “T440/T470,” Kenworth Truck Company, 2015, 8-page brochure.
 “K270E/K3 70E,” Kenworth Truck Company, 2020, 4-page brochure.
 “T170/T270/T370,” Kenworth Truck Company, 2019, 16-page brochure.
 “K270/K3 70,” Kenworth Truck Company, 2014, 12-page brochure.
 “W990,” Kenworth Truck Company, 2018, 32-page brochure.
 “T880,” Kenworth Truck Company, 2019, 36-page brochure.
 “Model 367,” Peterbilt Motors Company, <https://www.peterbilt.com/trucks/vocational/model-367>, retrieved Nov. 20, 2020, 12 pages.
 “Model 365,” Peterbilt Motors Company, <https://www.peterbilt.com/trucks/vocational/model-365>, retrieved Nov. 20, 2020, 11 pages.
 “Model 325,” Peterbilt Motors Company, <https://www.peterbilt.com/trucks/medium-duty/model-325>, retrieved Nov. 20, 2020, 12 pages.

* cited by examiner

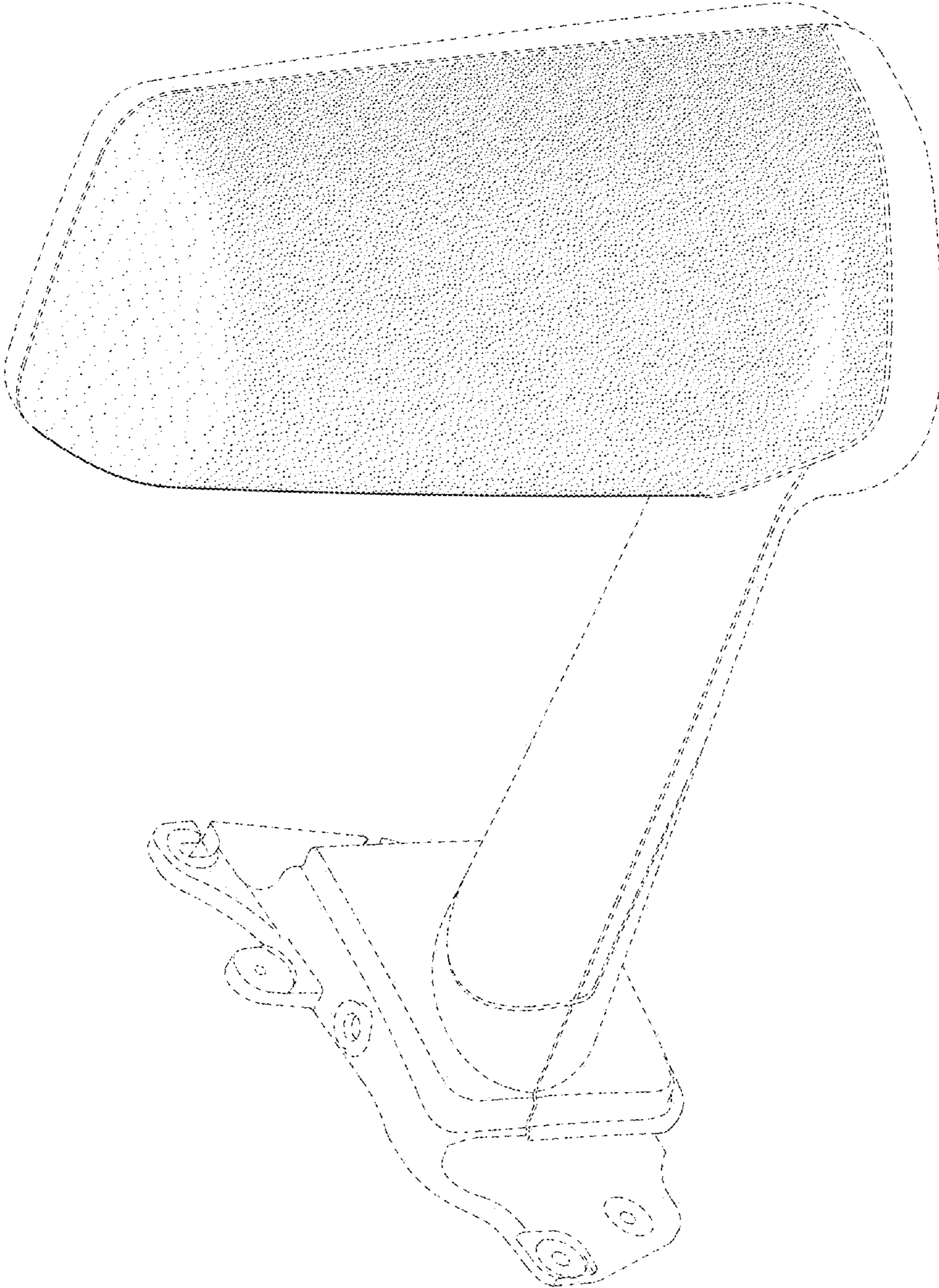


FIG. 1

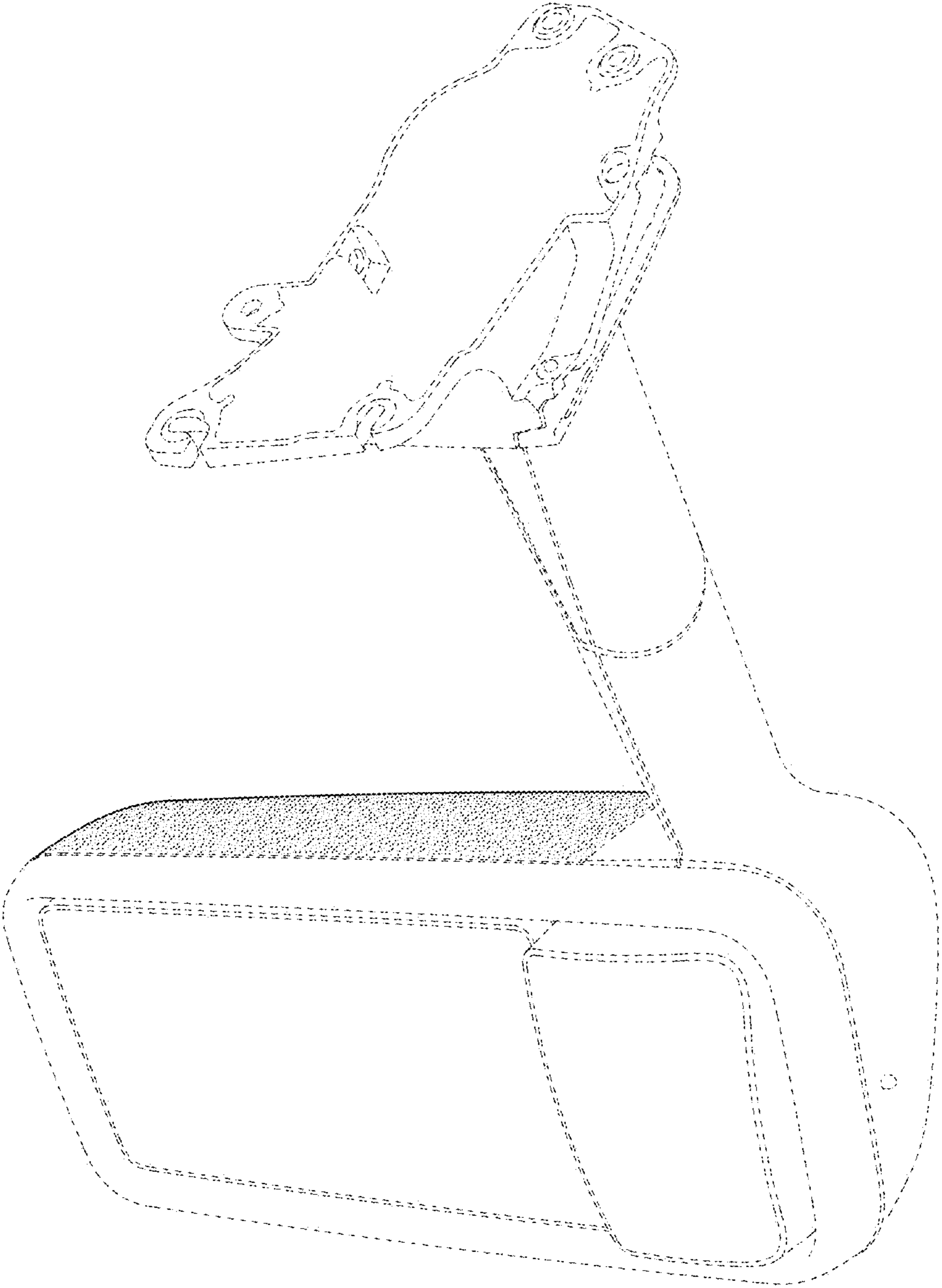


FIG. 2

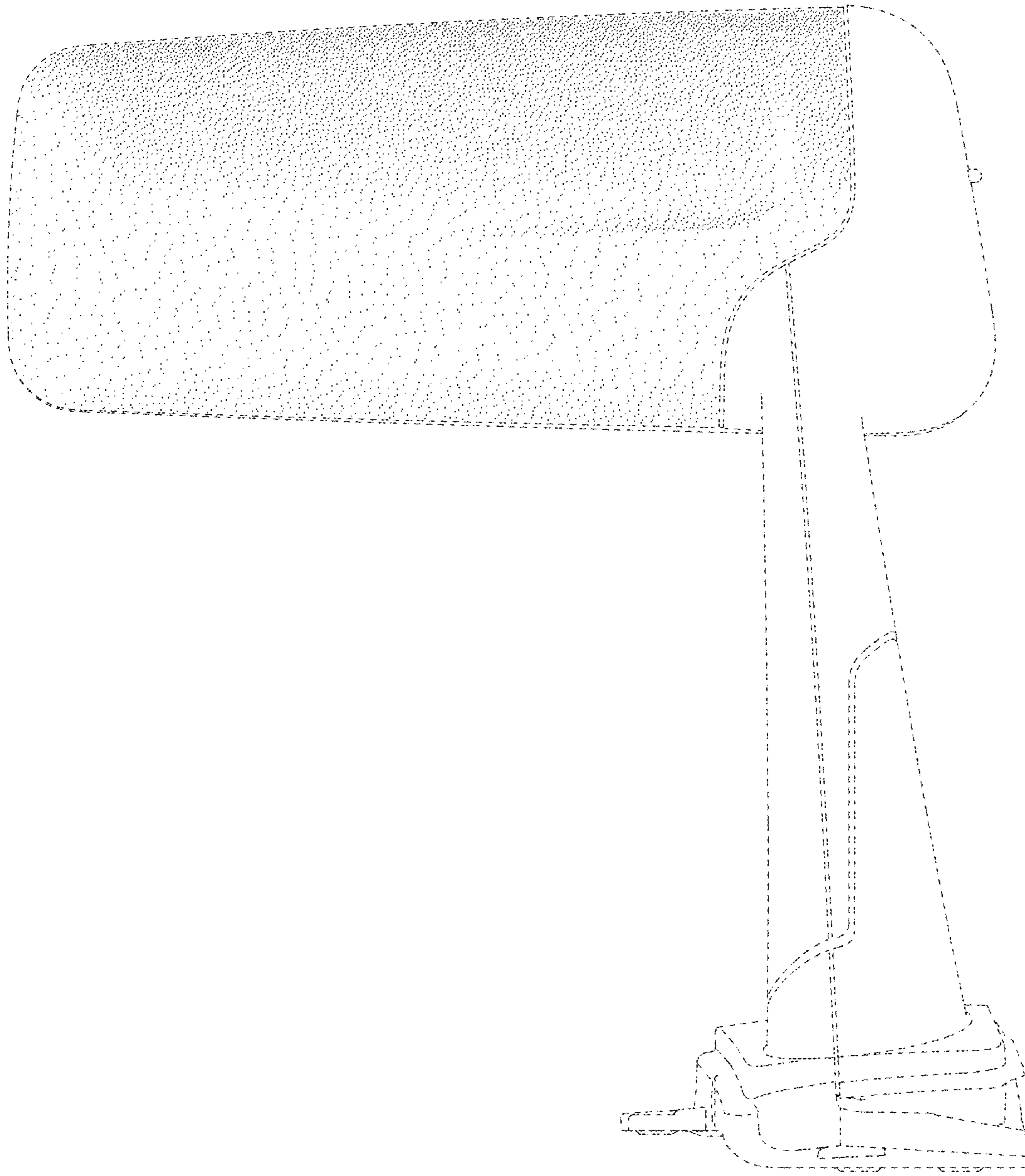


FIG. 3

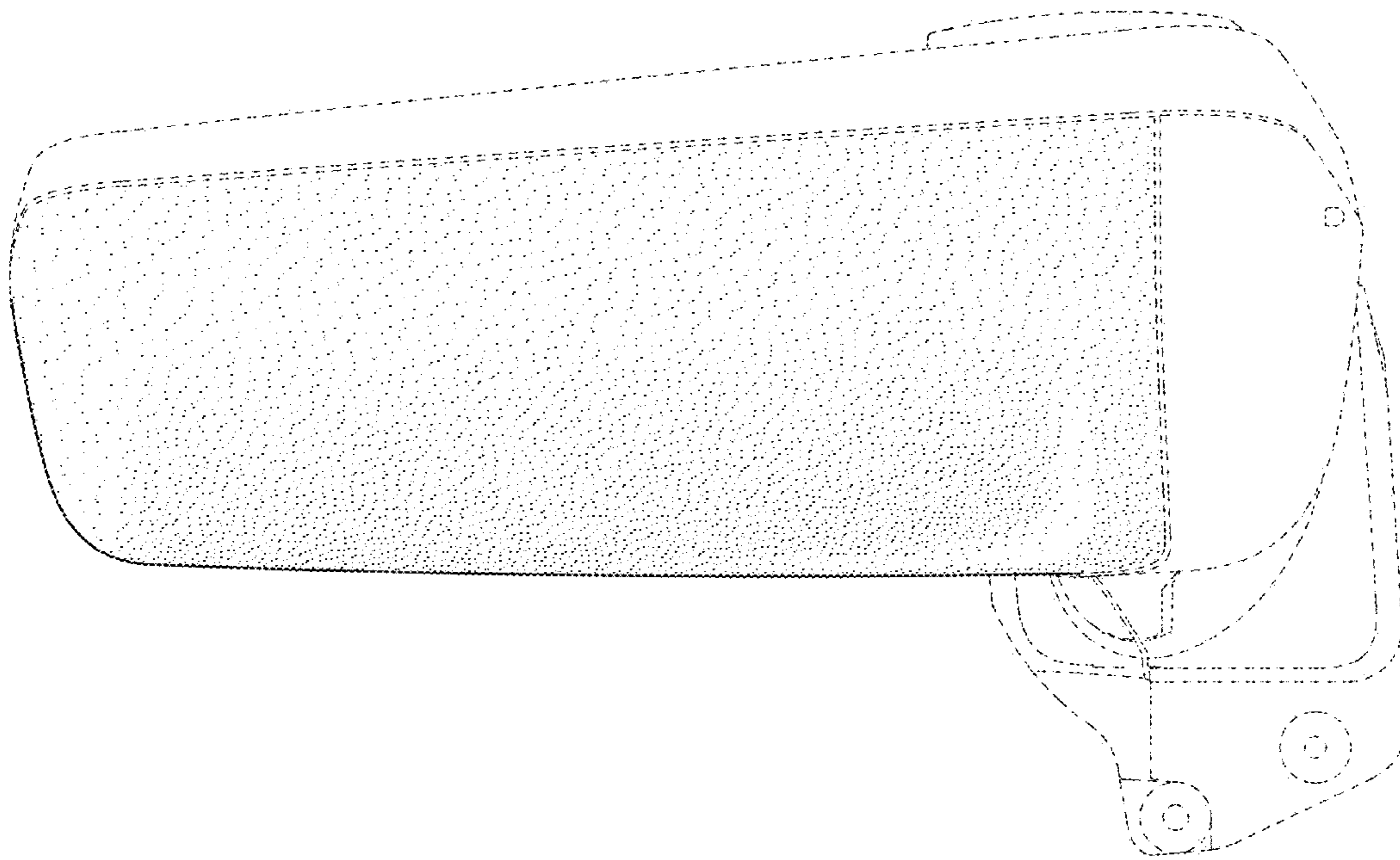


FIG. 4

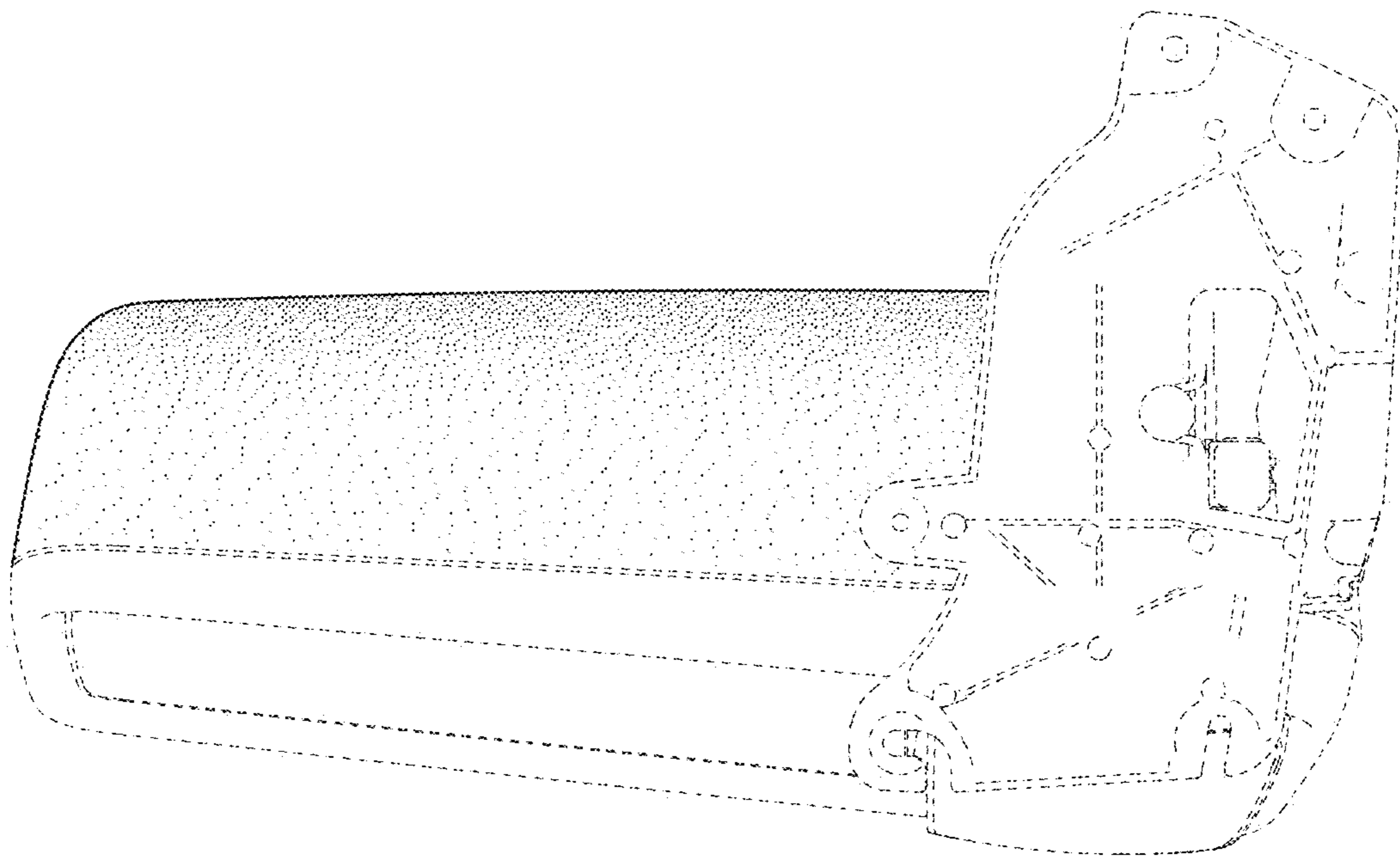


FIG. 5

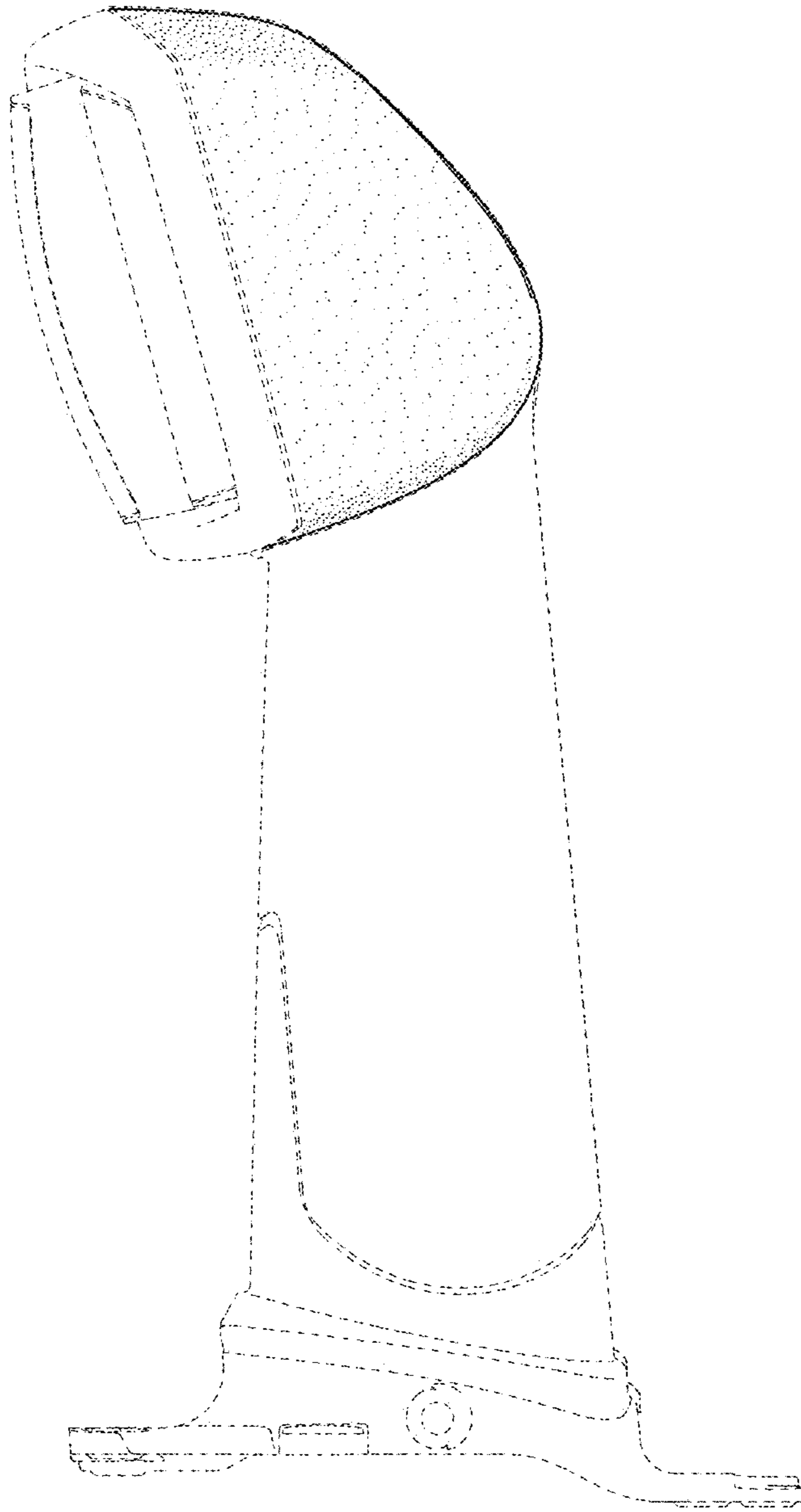


FIG. 6

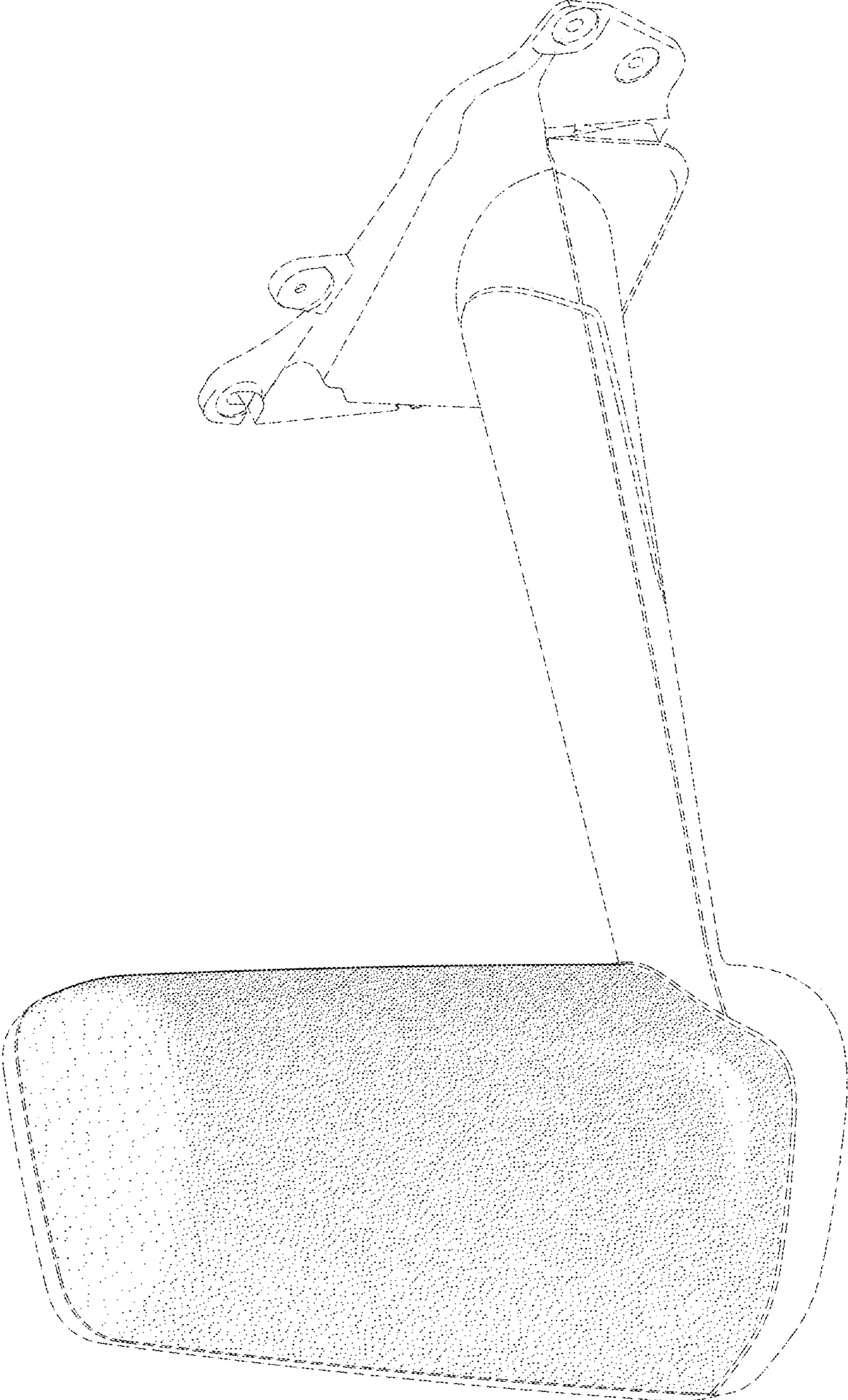


FIG. 7

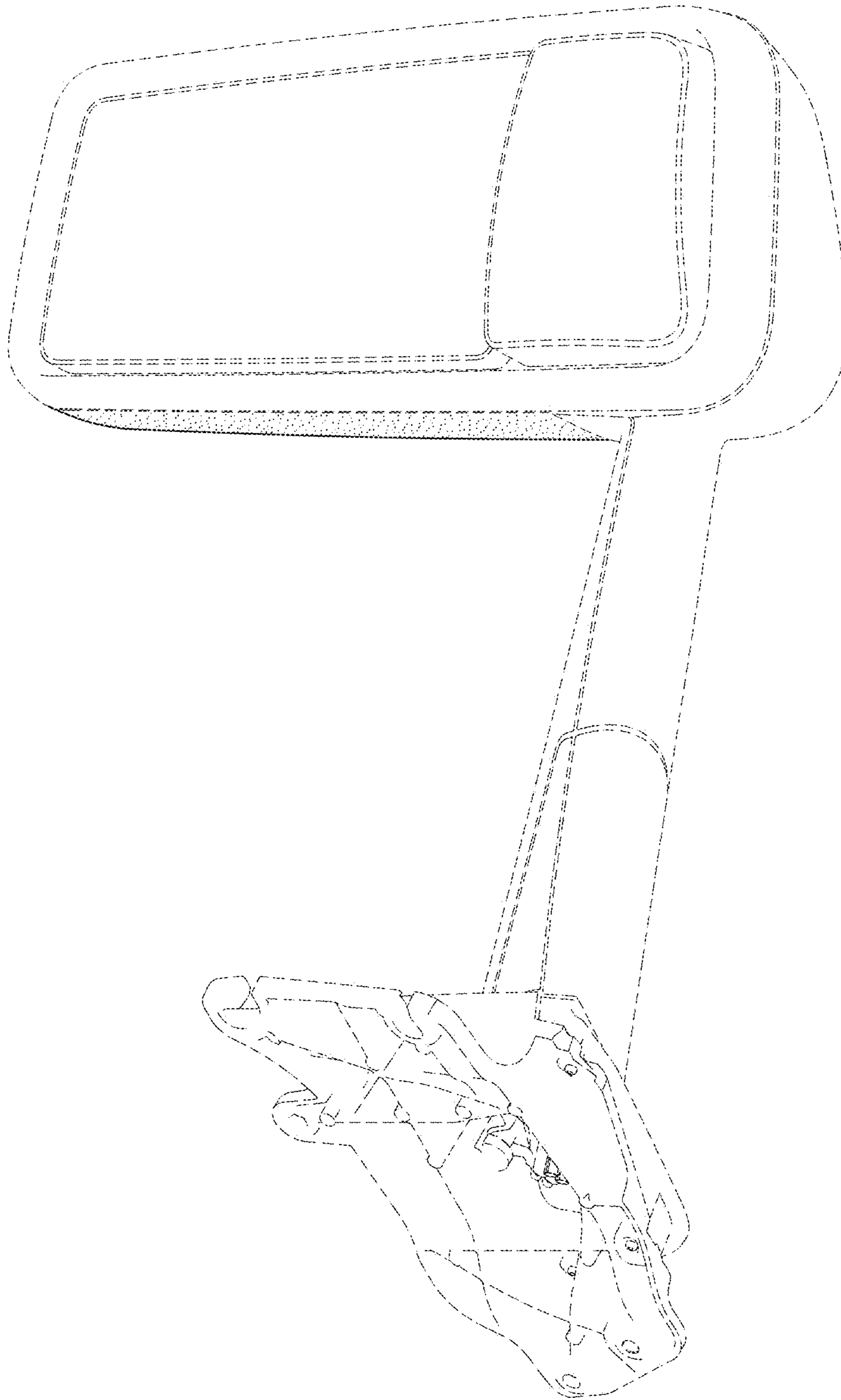


FIG. 8

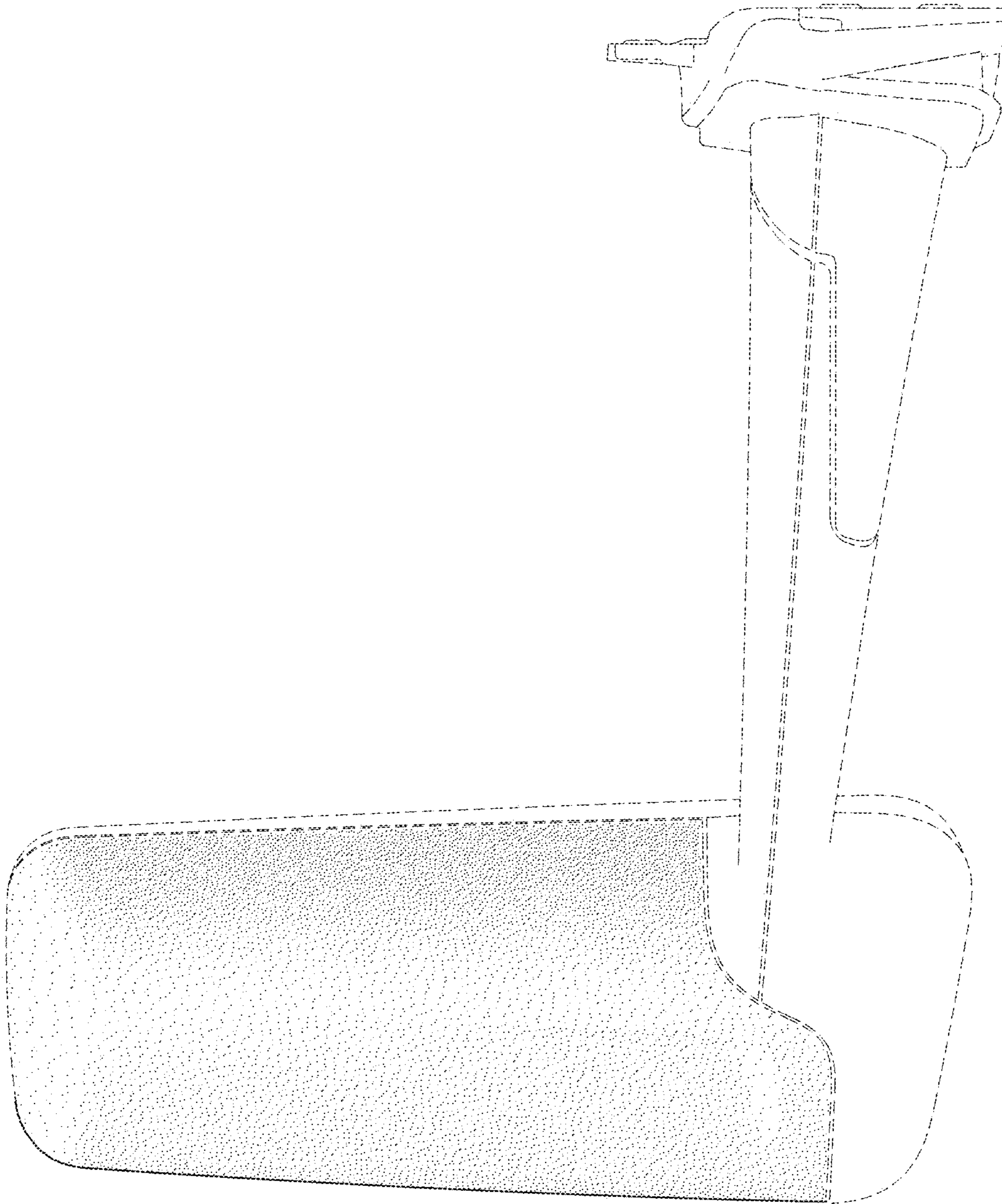


FIG. 9

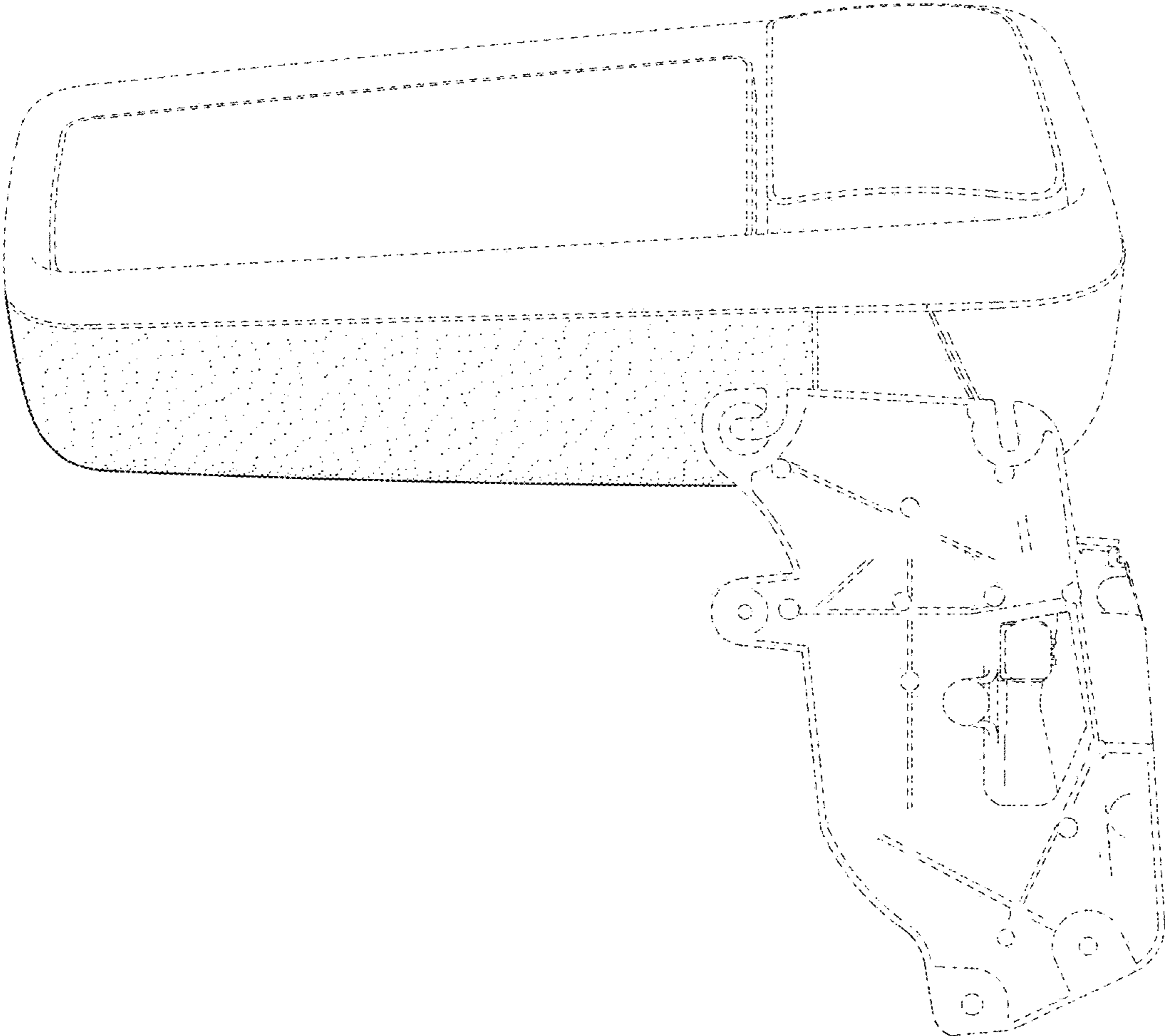


FIG. 10

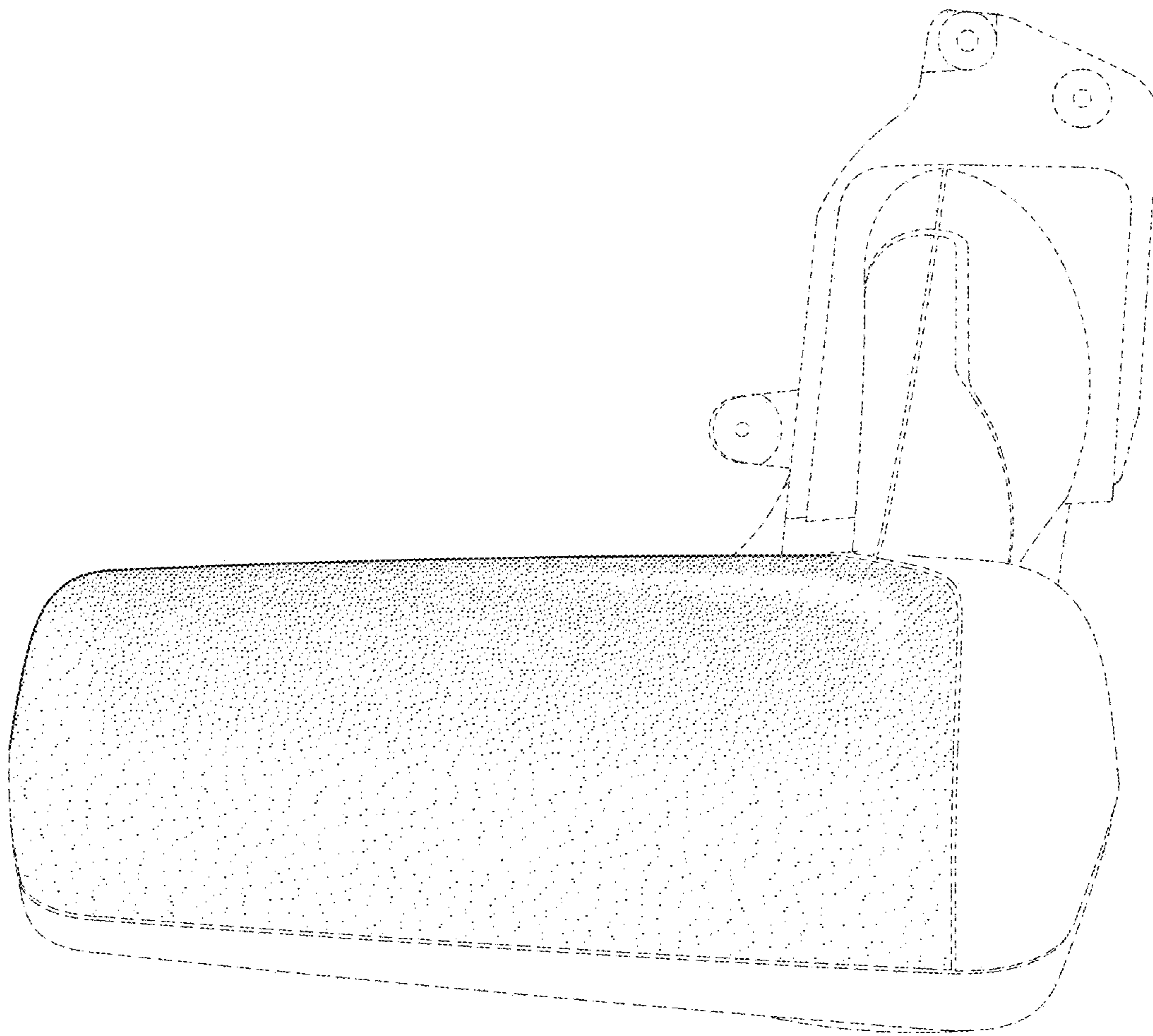


FIG. 11

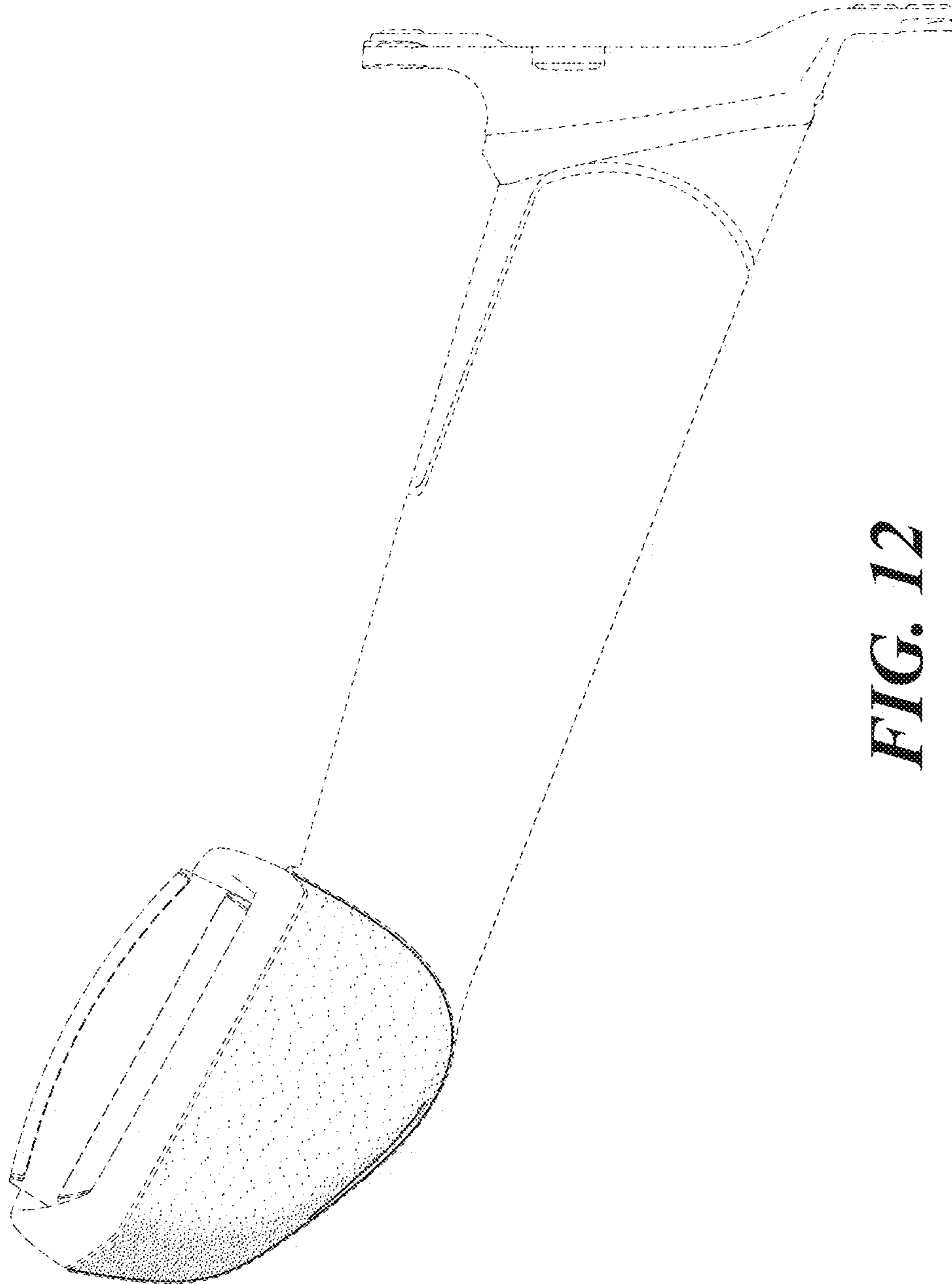


FIG. 12