



US00D994548S

(12) **United States Design Patent**  
**Brown, Jr.**

(10) **Patent No.:** **US D994,548 S**

(45) **Date of Patent:** **\*\* Aug. 8, 2023**

(54) **CHAIRSIDE HELPER**

(71) Applicant: **Maynard H. Brown, Jr.**, Fishers  
Landing, NY (US)

(72) Inventor: **Maynard H. Brown, Jr.**, Fishers  
Landing, NY (US)

(\*\*) Term: **15 Years**

(21) Appl. No.: **29/871,521**

(22) Filed: **Feb. 22, 2023**

(51) **LOC (14) Cl.** ..... **12-12**

(52) **U.S. Cl.**  
USPC ..... **D12/130**

(58) **Field of Classification Search**  
USPC ..... D12/130, 133  
CPC ..... A61G 7/053; A61G 5/14  
See application file for complete search history.

(56) **References Cited**

U.S. PATENT DOCUMENTS

2,734,554 A	2/1956	Ries	
3,739,793 A	6/1973	Wilson	
5,226,439 A	7/1993	O’Keeffe et al.	
5,449,013 A	9/1995	Landers	
6,170,501 B1 *	1/2001	Cook	A61G 7/1038
			135/74
6,244,285 B1 *	6/2001	Gamache	A47C 31/00
			5/426
6,332,232 B1 *	12/2001	Neal	A61G 7/053
			5/84.1
6,401,280 B1	6/2002	Baker	
6,425,154 B1 *	7/2002	O’Connell	A61G 7/053
			482/904
6,539,569 B2 *	4/2003	O’Connell	A61G 7/053
			482/904
6,860,281 B1	3/2005	Clift	
7,775,228 B2 *	8/2010	Clark	A61H 3/02
			5/81.1 R
7,862,122 B1 *	1/2011	Shammas	B60N 2/245
			297/411.27

8,286,274 B1 *	10/2012	Manning	A47K 17/026
			4/254
9,655,799 B1 *	5/2017	Walder, III	A61H 3/0277
10,617,927 B2 *	4/2020	Osorio	A63B 22/203
10,881,563 B2 *	1/2021	Bosik	A61G 5/14
D944,178 S *	2/2022	Brown, Jr.	D12/317

(Continued)

FOREIGN PATENT DOCUMENTS

GB 2190004 A 11/1987

OTHER PUBLICATIONS

“Chair Assist for Elderly Chair Lift Devices Seniors Bed Rails for Elderly Adults Mobility & Daily Living Aids Stand Assist Patient Lift Elderly Assistance Products for Sitting, Sofa, Couch Support”, retrieved from the internet, retrieved on Feb. 21, 2023; <URL: [https://www.amazon.com/Elderly-Assist-Couch-Mobility-Standing-Recliner/dp/B07V7W67QT?ref\\_=ast\\_sto\\_dp](https://www.amazon.com/Elderly-Assist-Couch-Mobility-Standing-Recliner/dp/B07V7W67QT?ref_=ast_sto_dp)>.

(Continued)

Primary Examiner — Charles D Hanson

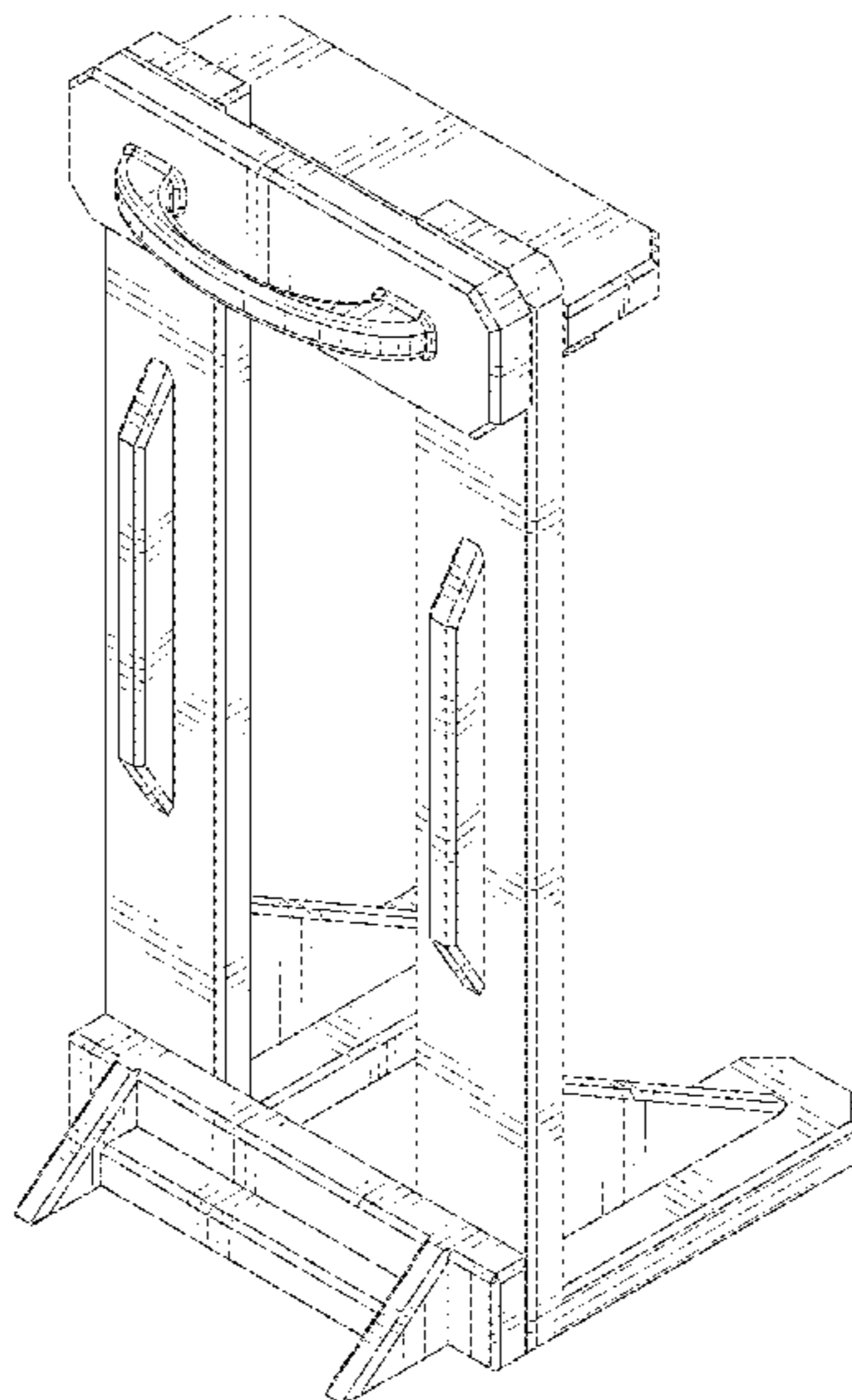
(57) **CLAIM**

The ornamental design for a chairside helper, as shown and described.

**DESCRIPTION**

FIG. 1 is a front-top-left perspective view of a chairside helper showing my new design;  
FIG. 2 is a front-bottom-left perspective view thereof;  
FIG. 3 is a rear-top-right perspective view thereof;  
FIG. 4 is a rear-bottom-right perspective view thereof;  
FIG. 5 is a front elevational view thereof;  
FIG. 6 is a rear elevational view thereof;  
FIG. 7 is a left elevational view thereof;  
FIG. 8 is a right elevational view thereof;  
FIG. 9 is a top plan view thereof; and,  
FIG. 10 is a bottom plan view thereof.

**1 Claim, 10 Drawing Sheets**



(56)

**References Cited**

U.S. PATENT DOCUMENTS

D946,473 S \* 3/2022 Woolridge ..... D12/133  
11,311,437 B2 \* 4/2022 Baiera ..... A47C 12/00  
D984,328 S \* 4/2023 Savioli ..... D12/133

OTHER PUBLICATIONS

“Dialdrcare Medical Bed Assist Rail with Storage Pocket—Adult Bedside Standing Bar for Seniors, Elderly, Handicap—Adjustable Fall Prevention Safety Handle Guard—Long Hand Bedrail Grab Bar (Black)” retrieved from the internet, retrieved on Feb. 21, 2023; <URL: <https://www.amazon.com/DIALDRCARE-Medical-Bed-Assist-Rail/dp/B0B18GLS6K>>.

“Traditional Push Wagon”, retrieved from the internet, retrieved on Feb. 22, 2023; <URL: <https://ariotoys.com/products/traditional-push-wagon>>.

“Underthesun”, retrieved from the internet, retrieved on Feb. 22, 2023; <URL: <https://www.pinterest.ca/pin/425871708496222985/>>.

Flat-pack bike & scooter—Make: retrieved from the internet, retrieved on Feb. 22, 2023; <URL: <https://www.pinterest.com/pin/659495939200832490/>>.

“Wooden Games” retrieved from the internet, retrieved on Feb. 22, 2023; <URL: <https://www.pinterest.ca/pin/109282728450136030/>>.

\* cited by examiner

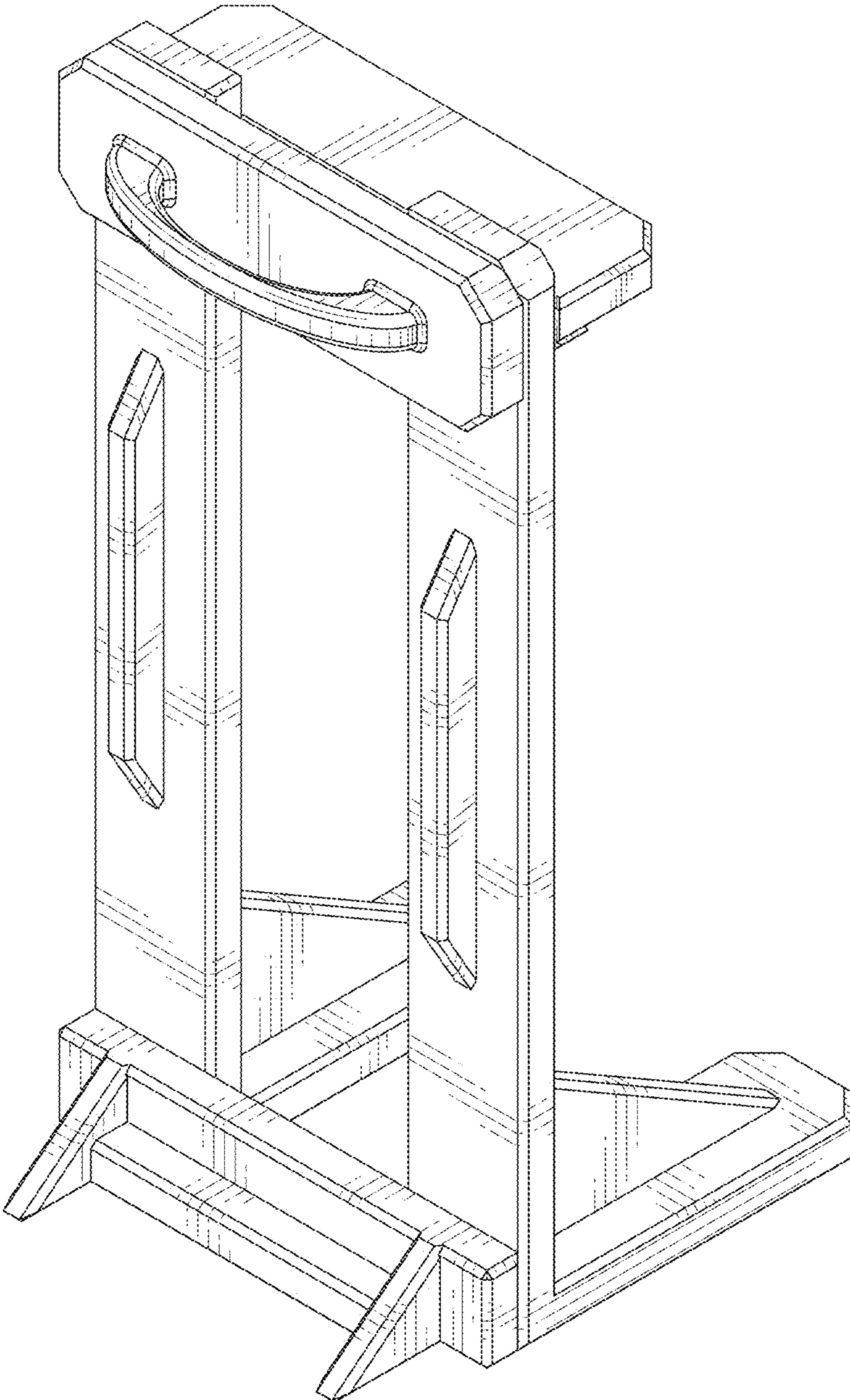


FIG. 1

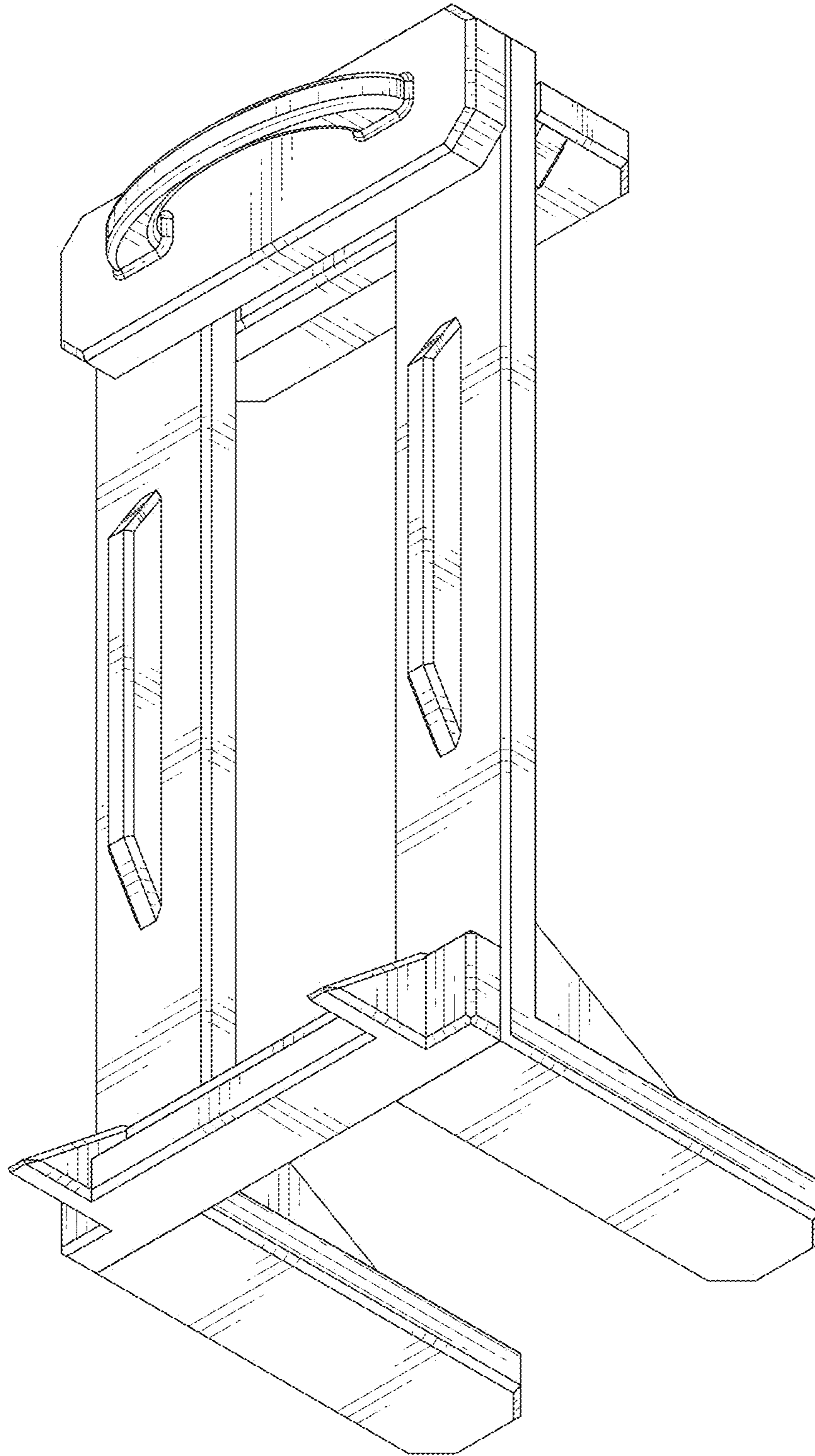


FIG. 2

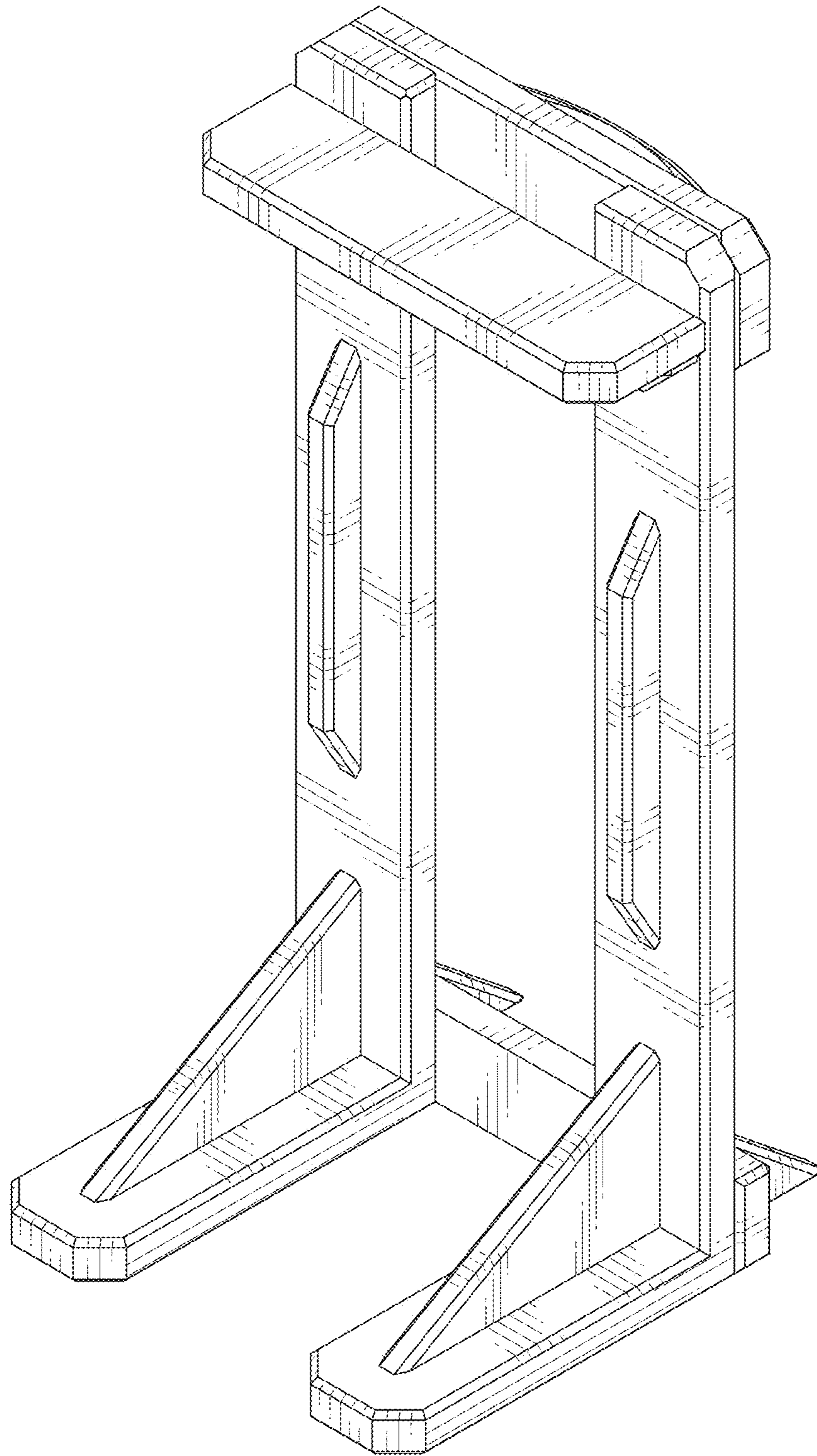


FIG. 3

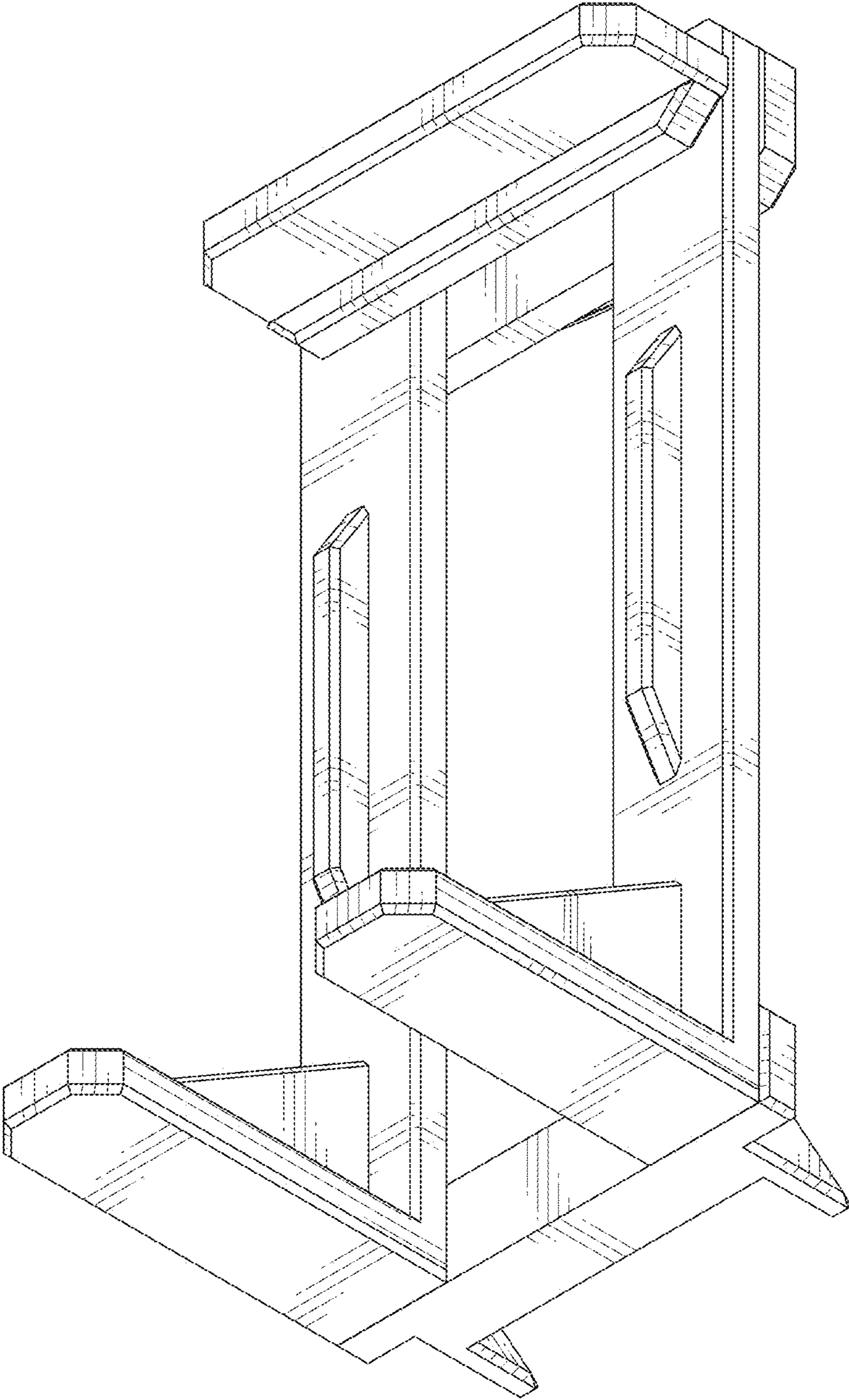


FIG. 4

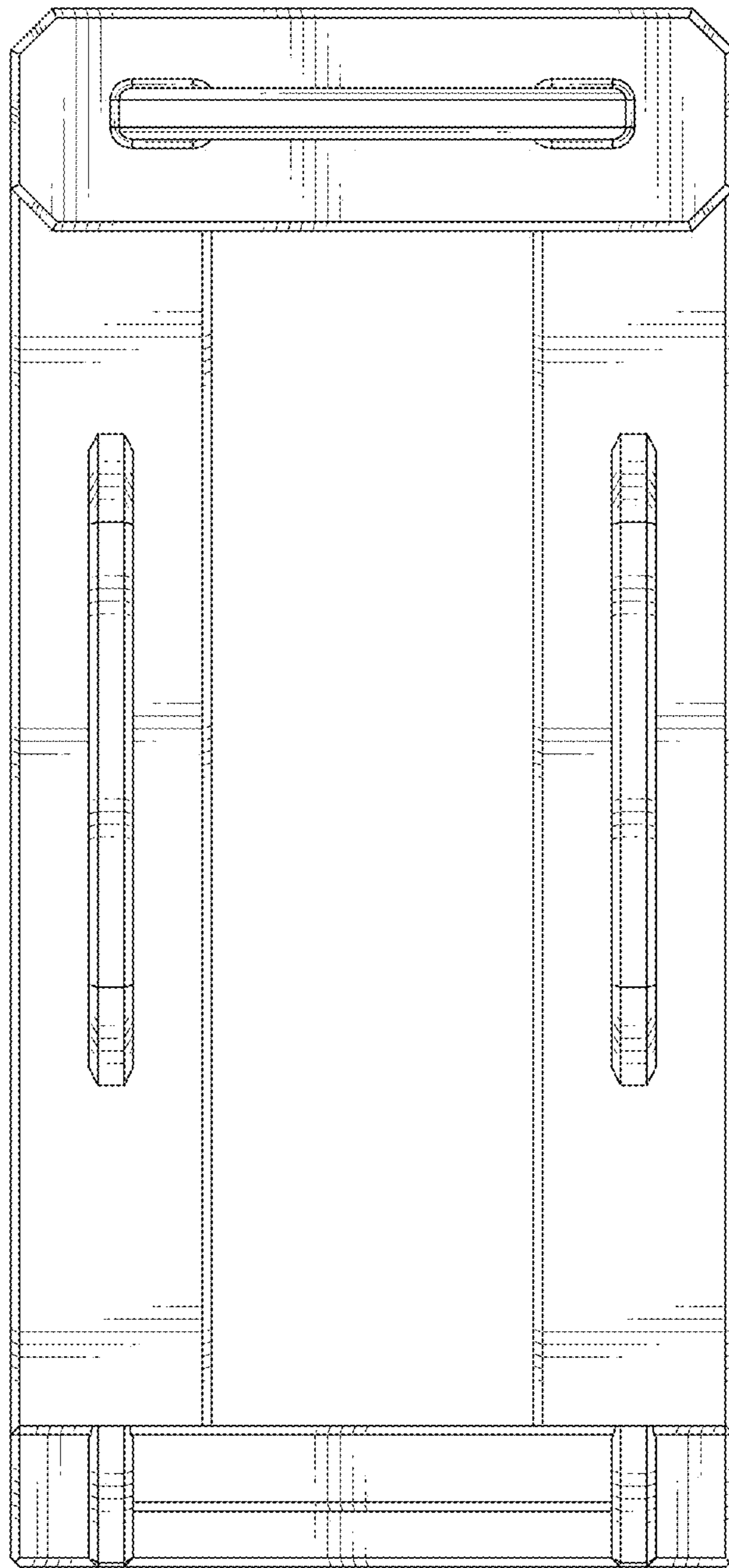


FIG. 5

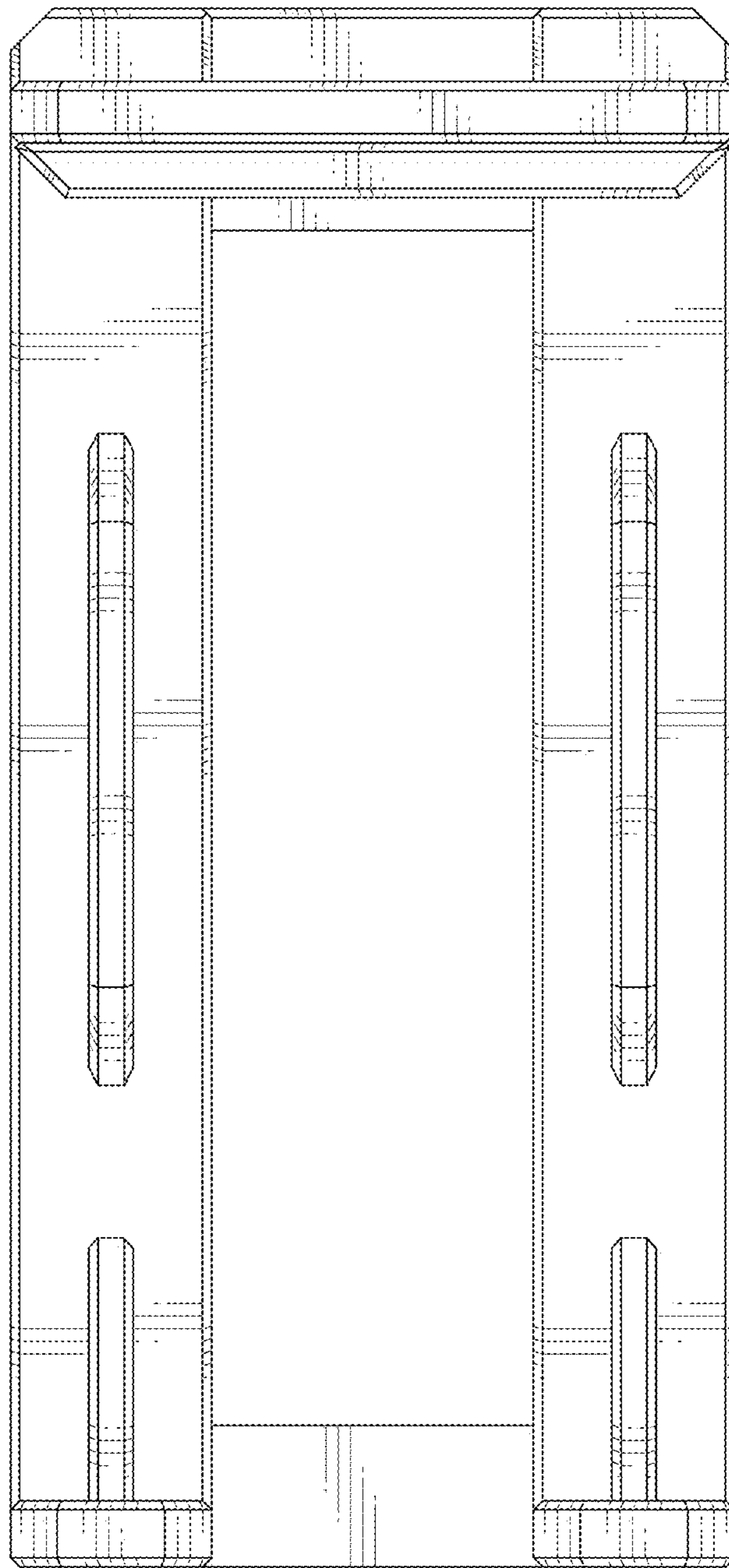


FIG. 6



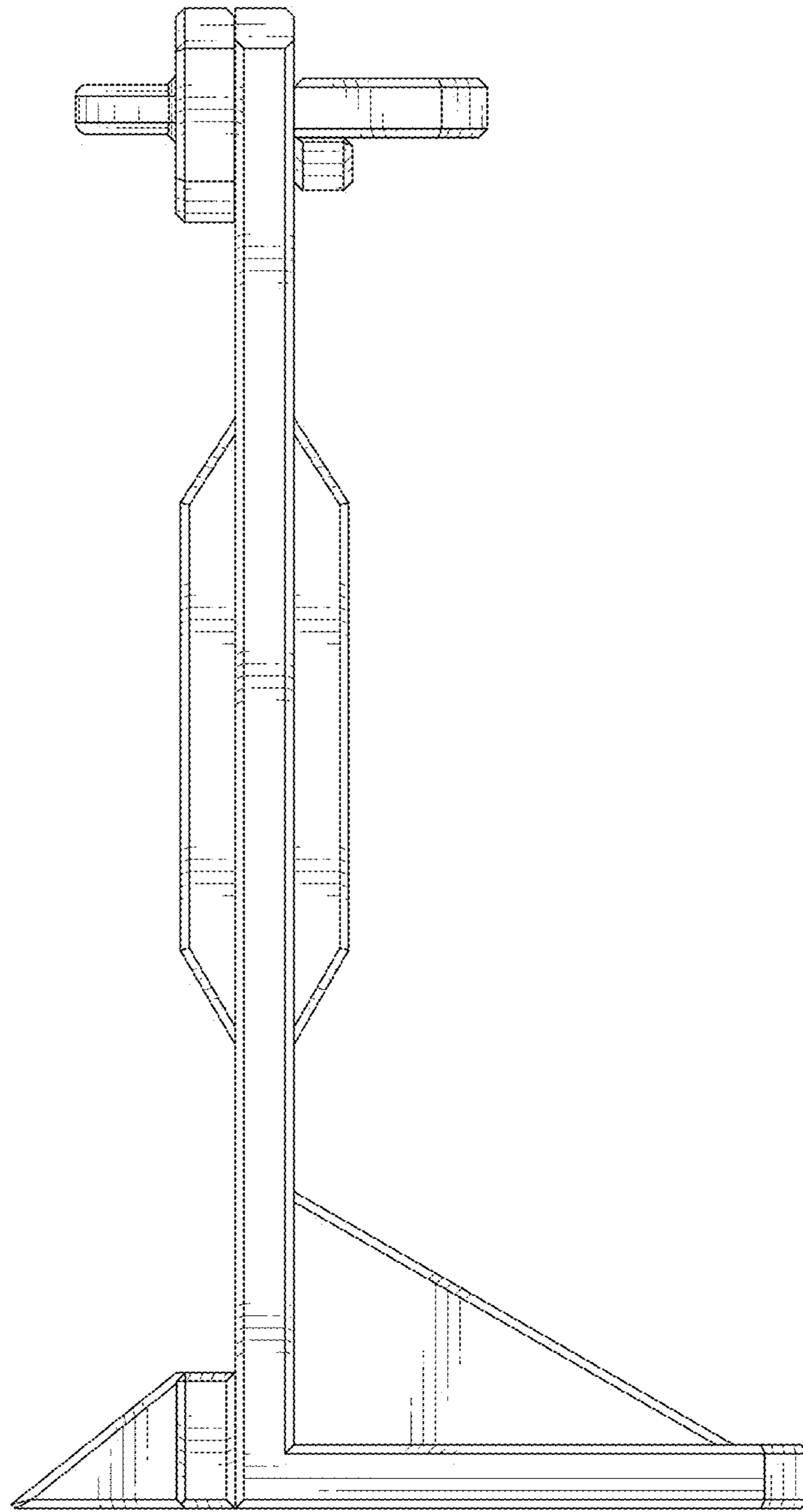


FIG. 7

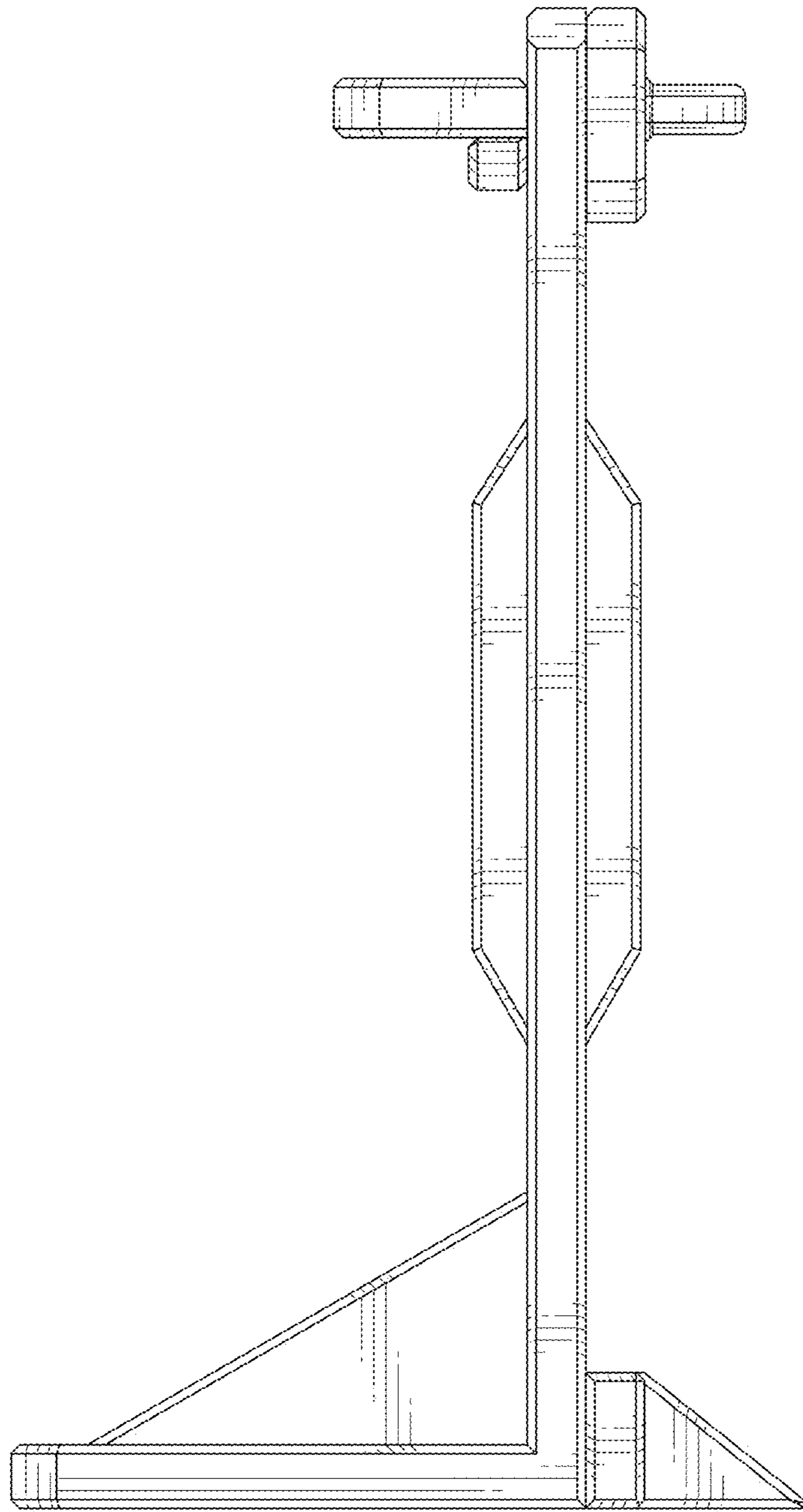


FIG. 8

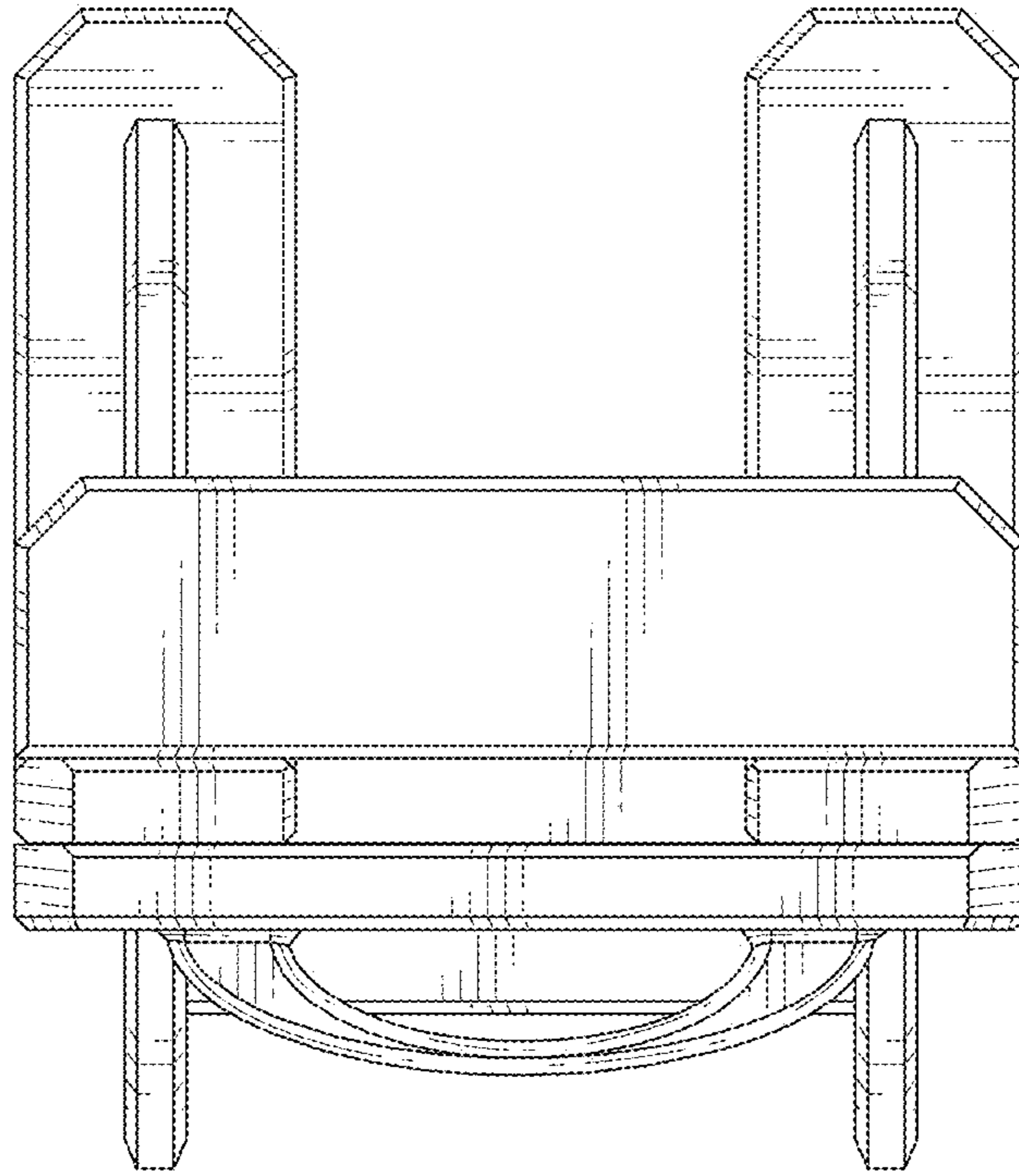


FIG. 9

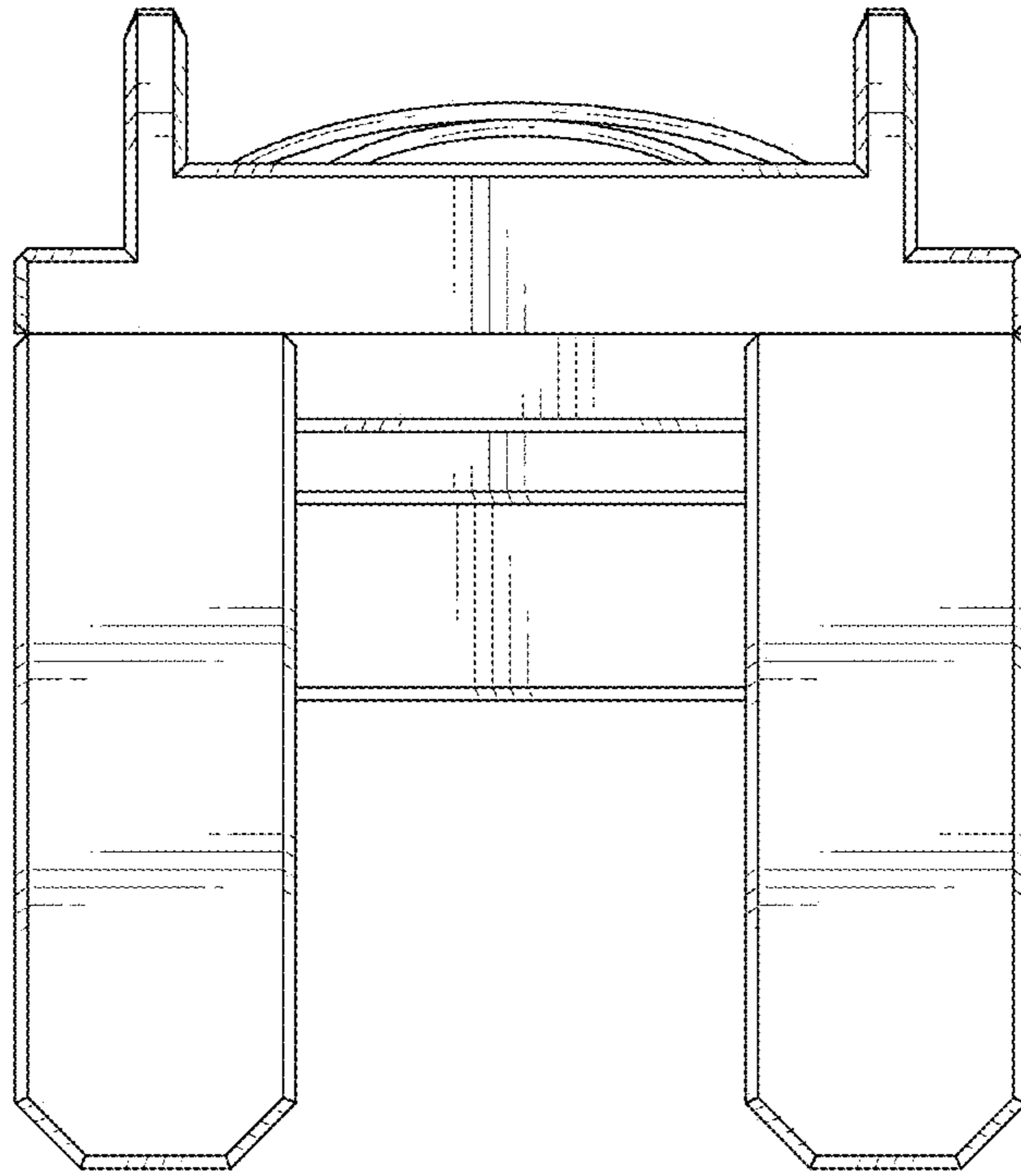


FIG. 10