



US00D994443S

(12) **United States Design Patent** (10) **Patent No.:** **US D994,443 S**
Ellis et al. (45) **Date of Patent:** **** Aug. 8, 2023**

- | | | | | |
|--|---------------|--------|------------------|----------------------|
| (54) PLANT STAKE AND DISPLAY TAG HOLDER | 4,999,944 A * | 3/1991 | Troy, III | A01G 29/00
47/47 |
| (71) Applicant: ORORA VISUAL LLC , Buena Vista,
CA (US) | D335,802 S * | 5/1993 | Klump | D8/1 |
| | D349,434 S * | 8/1994 | Archambeau | D8/1 |
| | D379,417 S * | 5/1997 | Vachon | D8/1 |
| (72) Inventors: Julie Ellis , Dallas, TX (US); Kevin
Fitzpatrick , Winchester, VA (US) | D380,569 S * | 7/1997 | Garber | D8/388 |
| | D391,459 S * | 3/1998 | Vachon | D8/1 |
| | D448,491 S * | 9/2001 | Daniels | D25/100 |
| (73) Assignee: Orora Visual LLC , Buena Park, CA
(US) | D476,131 S * | 6/2003 | Barnes | A01G 9/12
D99/18 |
| | D503,842 S * | 4/2005 | Barnes | E02D 5/803
D99/18 |
| (**) Term: 15 Years | D622,559 S * | 8/2010 | Brazier | D8/1 |
| | D674,255 S * | 1/2013 | Evans | A01G 9/122
D8/1 |
| (21) Appl. No.: 29/764,540 | D891,204 S * | 7/2020 | McGrade | D8/1 |

* cited by examiner

- (22) Filed: **Dec. 30, 2020**
- (51) **LOC (14) Cl.** **08-01**
- (52) **U.S. Cl.**
USPC **D8/1**
- (58) **Field of Classification Search**
USPC D8/1, 349, 499; D21/840; D23/217;
135/118; D11/143, 148, 152, 155;
D99/17, 18, 19, 99
CPC A01G 17/12; A01G 17/06; A01G 17/10;
A01G 9/128; A01G 29/00; G09F 3/206;
G09F 1/10
See application file for complete search history.

Primary Examiner — Rachel A. Voorhies
Assistant Examiner — Benjamin D. Wannemacher
 (74) *Attorney, Agent, or Firm* — Martin & Ferraro, LLP

(57) **CLAIM**

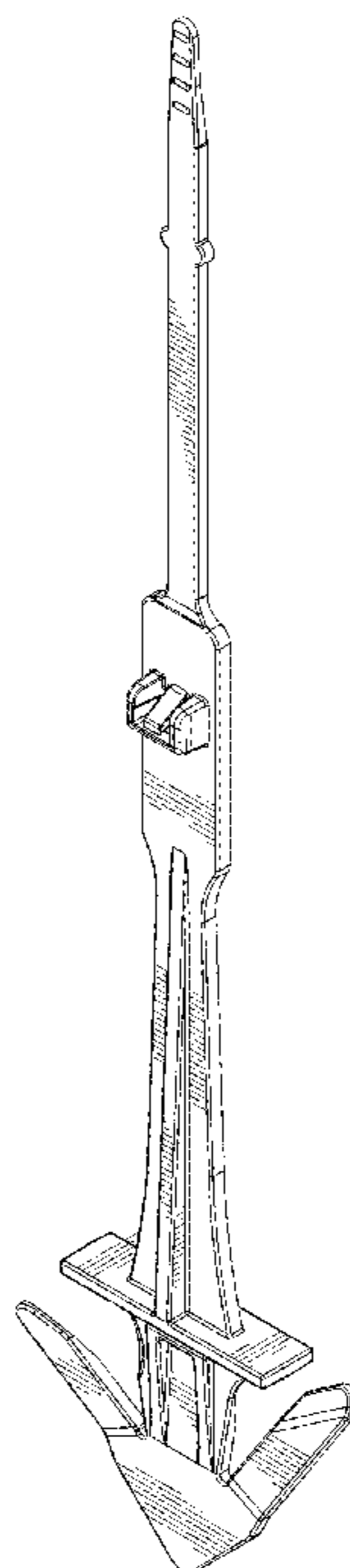
The ornamental design for a plant stake and display tag holder, as shown and described.

DESCRIPTION

FIG. 1 is a front, top and right perspective view of the plant stake and display tag holder showing my new design; FIG. 2 is a rear, bottom and right perspective view thereof; FIG. 3 is a front elevation view thereof; FIG. 4 is a rear elevation view thereof; FIG. 5 is a right side elevation view thereof; FIG. 6 is a left side elevation view thereof; FIG. 7 is a bottom plan view thereof; and, FIG. 8 is a top plan view thereof.

1 Claim, 6 Drawing Sheets

- (56) **References Cited**
 U.S. PATENT DOCUMENTS
- | | | | |
|---------------|---------|-------------------|----------------------|
| 291,569 A * | 1/1884 | Borner | A01G 9/12
52/155 |
| 2,712,864 A * | 7/1955 | Clevett, Jr. | E02D 5/803
52/166 |
| D261,853 S * | 11/1981 | Gigante | D8/1 |
| 4,503,636 A * | 3/1985 | Stuckey | A01G 9/122
256/48 |



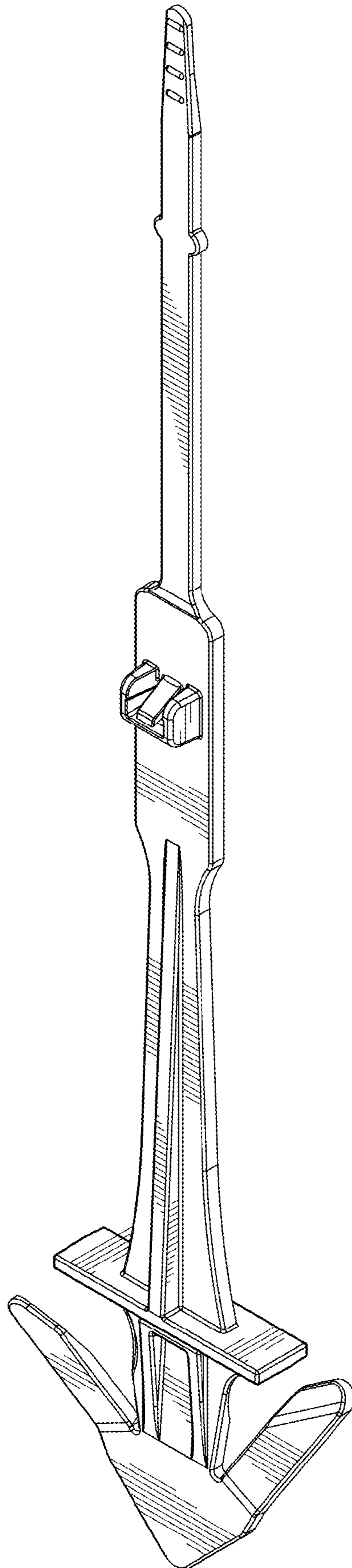
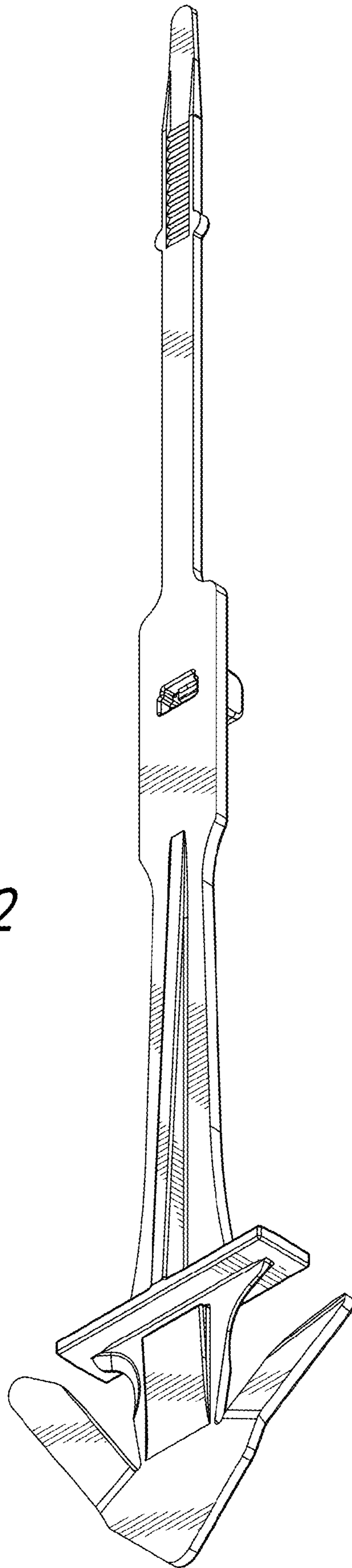


FIG. 1

FIG. 2



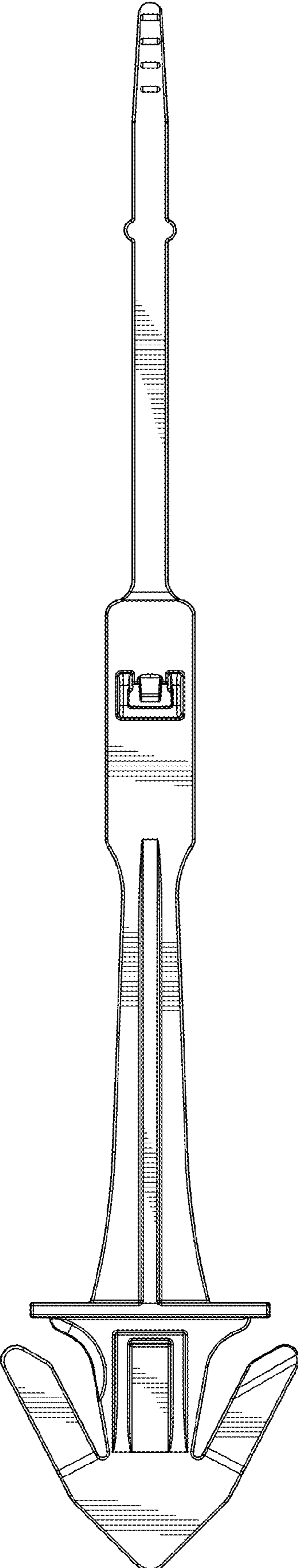


FIG. 3

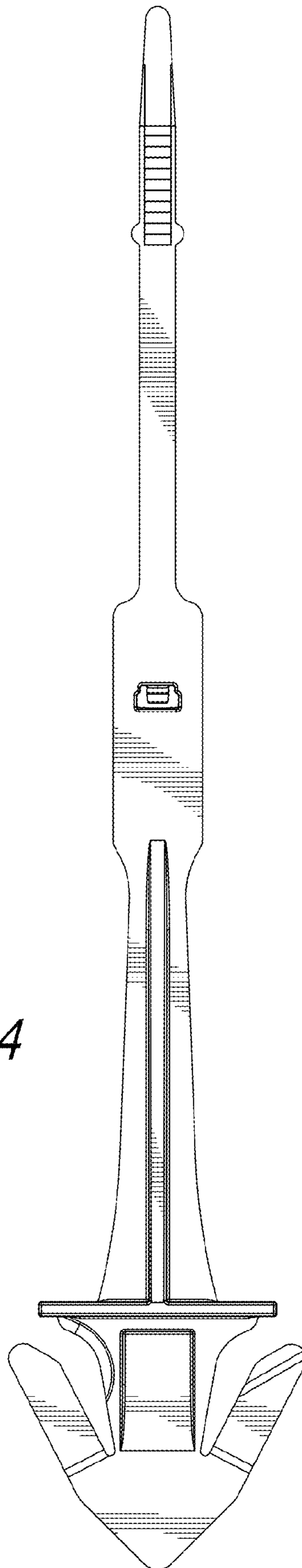


FIG. 4

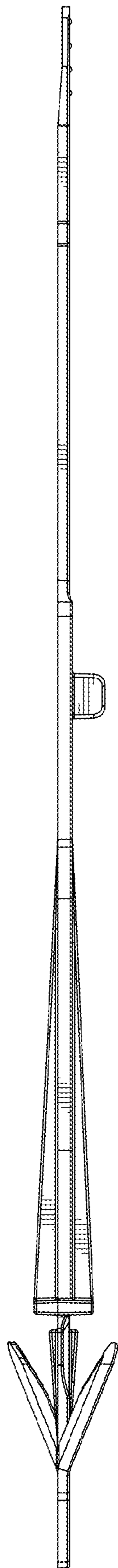


FIG. 5

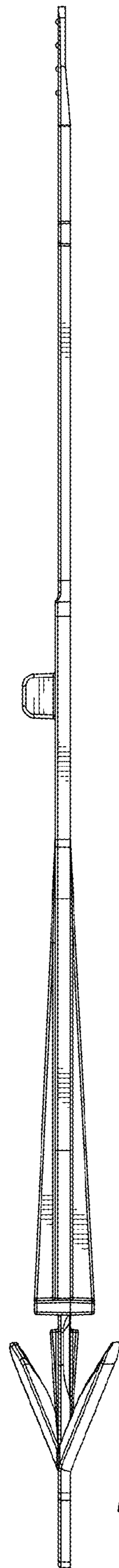


FIG. 6

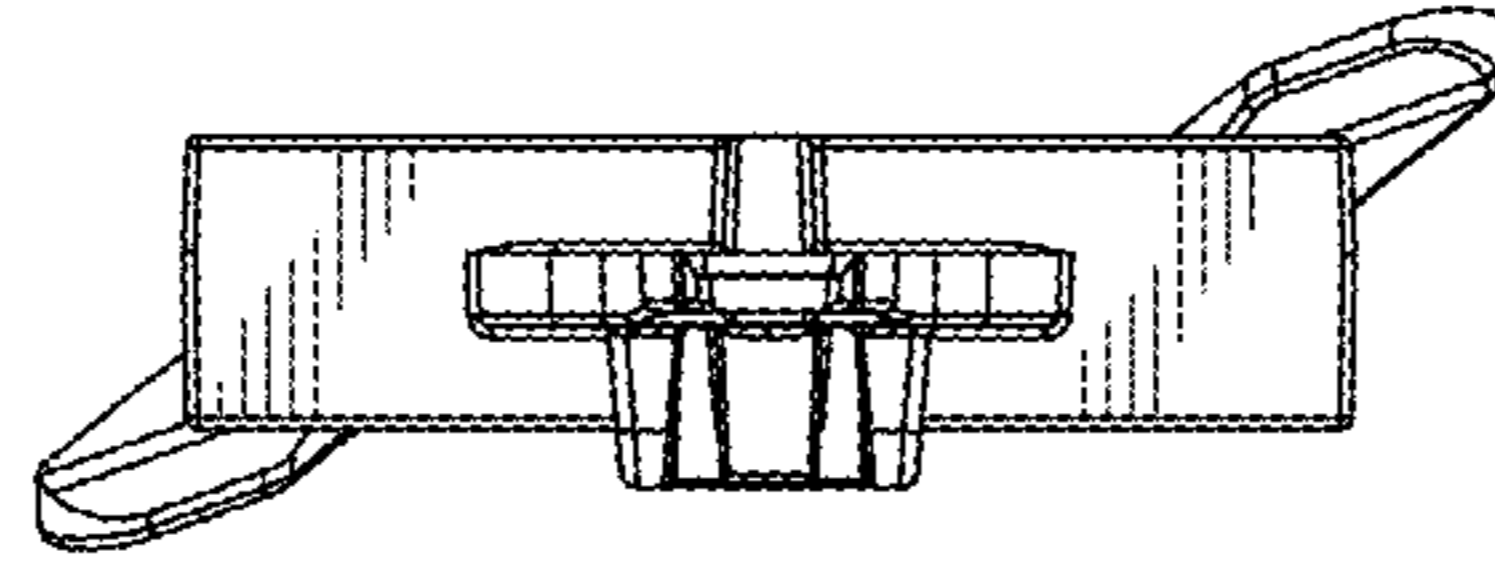


FIG. 7

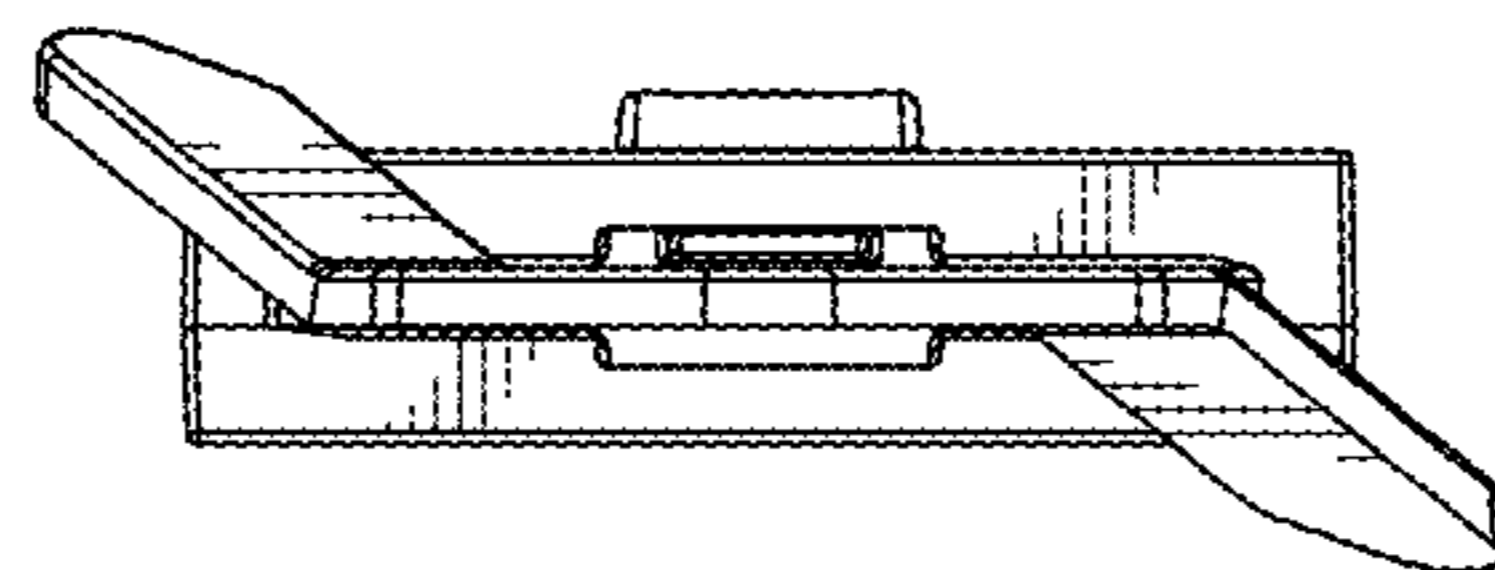


FIG. 8