

US00D994349S

(12) **United States Design Patent** (10) **Patent No.:** **US D994,349 S**  
**Boukair et al.** (45) **Date of Patent:** **\*\* Aug. 8, 2023**

(54) **ROLLER END CAP**

(56) **References Cited**

(71) Applicant: **The Sherwin-Williams Company**,  
Cleveland, OH (US)  
(72) Inventors: **Moe Boukair**, Redando Beach, CA  
(US); **Ronald Boukair**, Redando  
Beach, CA (US); **Michael C.**  
**Lambertson, Jr.**, Warrensville Hts., OH  
(US); **Charles T. Buckel, Jr.**,  
Warrensville Hts., OH (US); **Connie M.**  
**Mckinney**, Cleveland, OH (US)

U.S. PATENT DOCUMENTS

2,644,186 A	7/1953	Guimond	
2,763,022 A	9/1956	Glacken	
2,799,886 A	7/1957	Brunelli	
2,836,840 A *	6/1958	Pratt	B05C 17/0212 15/230.11
3,204,276 A	9/1965	Kennedy	
3,369,269 A	2/1968	Deck	
3,623,180 A	11/1971	Anderson	
3,685,084 A	8/1972	Bennett	
3,886,621 A	6/1975	Welsh	
3,933,415 A	1/1976	Woolpert	
4,304,025 A	12/1981	Christensen	
4,599,762 A	7/1986	Rigter	
5,105,500 A	4/1992	Bordogna	
5,400,459 A	3/1995	Jarecke	

(Continued)

(73) Assignee: **The Sherwin-Williams Company**,  
Cleveland, OH (US)

(\*\*) Term: **15 Years**

FOREIGN PATENT DOCUMENTS

(21) Appl. No.: **29/813,149**

DE	2439065	2/1975
DE	4009044	9/1991

(22) Filed: **Oct. 27, 2021**

(Continued)

**Related U.S. Application Data**

*Primary Examiner* — Austin Murphy

(62) Division of application No. 29/673,404, filed on Dec.  
14, 2018, now Pat. No. Des. 935,786.

(74) *Attorney, Agent, or Firm* — McDonald Hopkins LLC

(51) **LOC (14) Cl.** ..... **14-01**

(57) **CLAIM**

(52) **U.S. Cl.**

The ornamental design for a roller end cap, as shown and  
described.

USPC ..... **D4/122**

**DESCRIPTION**

(58) **Field of Classification Search**

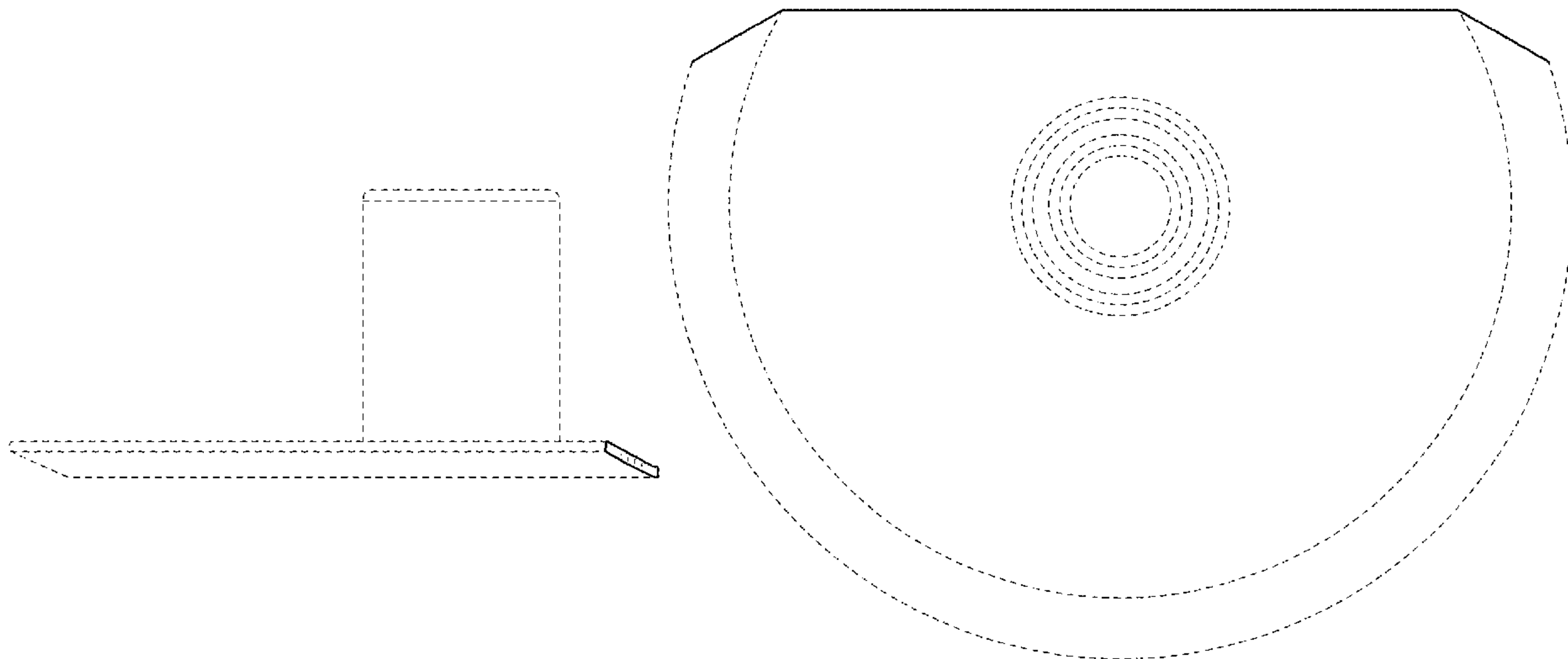
USPC ..... D4/122, 199; D6/317, 566; D8/370,  
D8/373, 107, 303; 15/27, 230.11;  
211/106, 106.01; 248/302; 492/13, 16,  
492/17, 19; 16/422, 430, 431, 902,  
16/DIG. 12, DIG. 18, DIG. 19  
CPC ..... B05C 1/00; B05C 1/02; B05C 17/0205;  
B44D 2/00

FIG. 1 is a perspective view of an embodiment of a roller  
end cap showing our new design;  
FIG. 2 is a back side view thereof;  
FIG. 3 is a side view thereof;  
FIG. 4 is a bottom side view thereof;  
FIG. 5 is a top side view thereof; and,  
FIG. 6 is a perspective view of the end cap thereof with a  
roller.

See application file for complete search history.

The broken lines illustrate portions of a roller end cap that  
form no part of the claimed design.

**1 Claim, 4 Drawing Sheets**



(56)

References Cited

U.S. PATENT DOCUMENTS

5,444,891 A 8/1995 Benson  
 5,463,789 A 11/1995 Zilinski  
 5,623,740 A 4/1997 Burns  
 5,769,769 A 6/1998 Torntore  
 D465,090 S 11/2002 Robinson  
 6,510,579 B1 1/2003 Gartner  
 6,574,824 B2 6/2003 Burns  
 6,687,945 B2 2/2004 Robinson  
 6,742,212 B2 6/2004 Pyles  
 6,871,376 B1 3/2005 D'Ambrosio  
 6,925,674 B2 8/2005 Prince  
 6,957,470 B2 10/2005 Rivadeneira  
 7,305,732 B2 12/2007 Karroll  
 D574,153 S 8/2008 Dehart  
 D677,901 S 3/2013 Boukair  
 D677,903 S 3/2013 Boukair  
 D683,546 S 6/2013 Woolfolk  
 D699,948 S 2/2014 Byrne  
 D712,156 S 9/2014 Arvinte et al.  
 8,819,885 B1 9/2014 Boukair  
 8,819,886 B1 9/2014 Boukair  
 8,832,896 B2 9/2014 Sandahl  
 D728,945 S 5/2015 Neal  
 9,199,266 B2\* 12/2015 Boukair ..... B05C 17/0225  
 9,205,446 B2 12/2015 Sandahi  
 D750,381 S 3/2016 Parker

9,272,304 B1 3/2016 Emery  
 9,333,528 B2 5/2016 DeCarr  
 D773,827 S 12/2016 Typrowicz  
 D813,552 S 3/2018 Katsuma  
 10,035,171 B2\* 7/2018 Boukair ..... B05C 17/0222  
 D871,078 S 12/2019 Winter  
 D935,786 S\* 11/2021 Boukair ..... D4/122  
 2002/0194691 A1 12/2002 Meyer  
 2006/0080800 A1 4/2006 Sander  
 2010/0180817 A1 7/2010 Binyamin  
 2013/0205530 A1 8/2013 Dale  
 2014/0249006 A1 9/2014 Gallardo  
 2015/0165473 A1\* 6/2015 Boukair ..... A46B 17/00  
 15/248.2  
 2018/0029068 A1\* 2/2018 Boukair ..... B05C 17/0225

FOREIGN PATENT DOCUMENTS

DE 4419672 8/1995  
 DE 20305209 6/2003  
 GB 2420513 10/2006  
 JP S59190378 12/1984  
 JP S61111580 7/1986  
 JP S6373180 5/1988  
 JP S63168075 11/1988  
 JP H01128876 9/1989  
 WO WO9400245 1/1994  
 WO WO1994000245 1/1994

\* cited by examiner

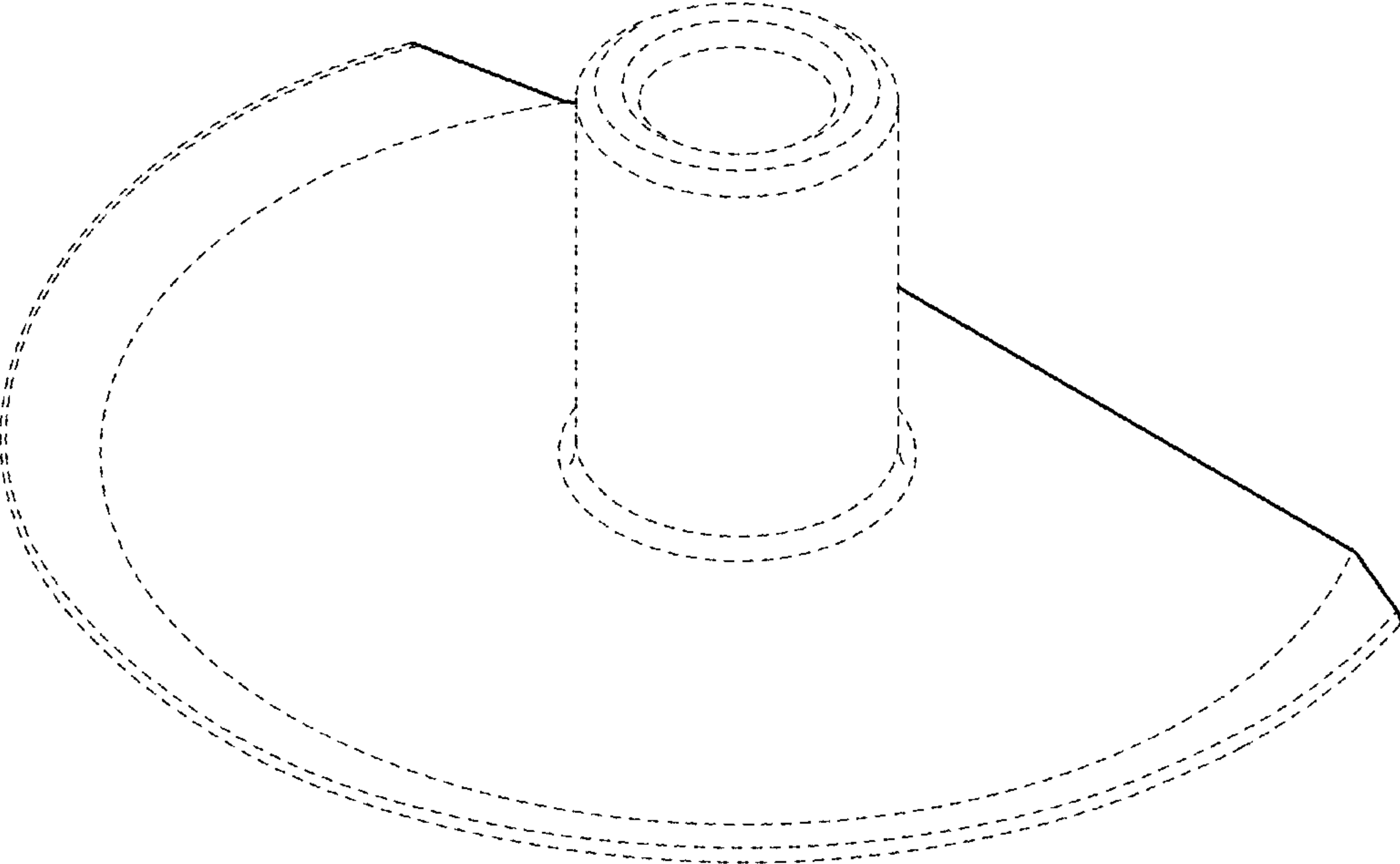


FIG. 1

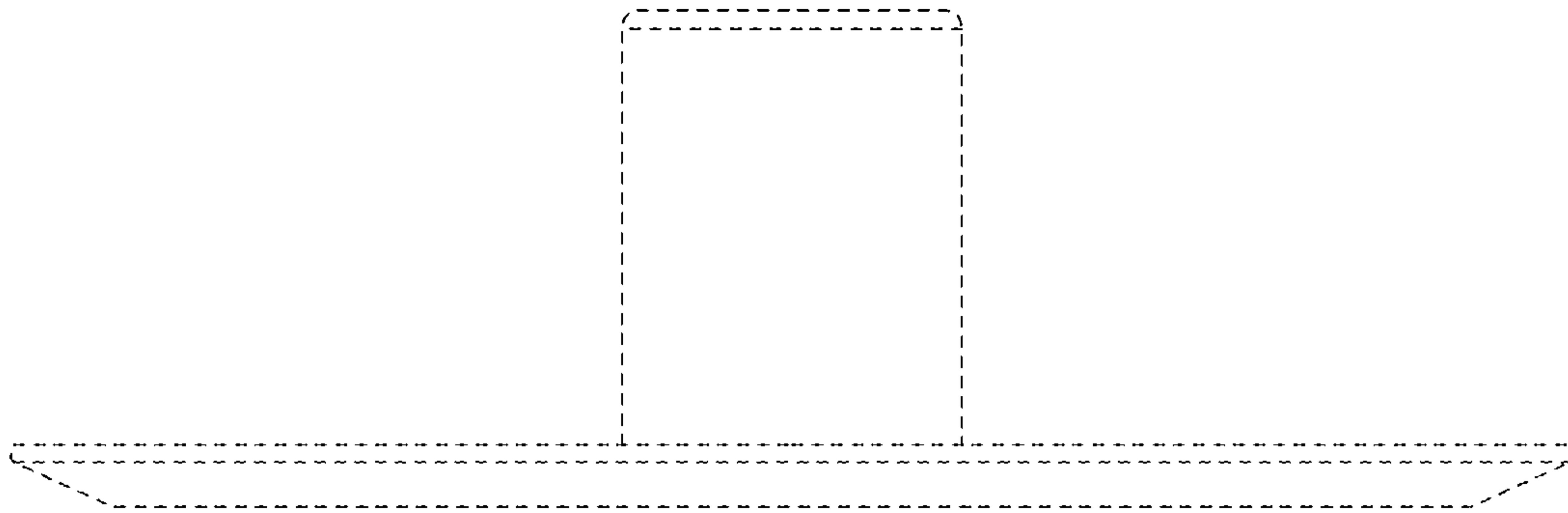


FIG. 2

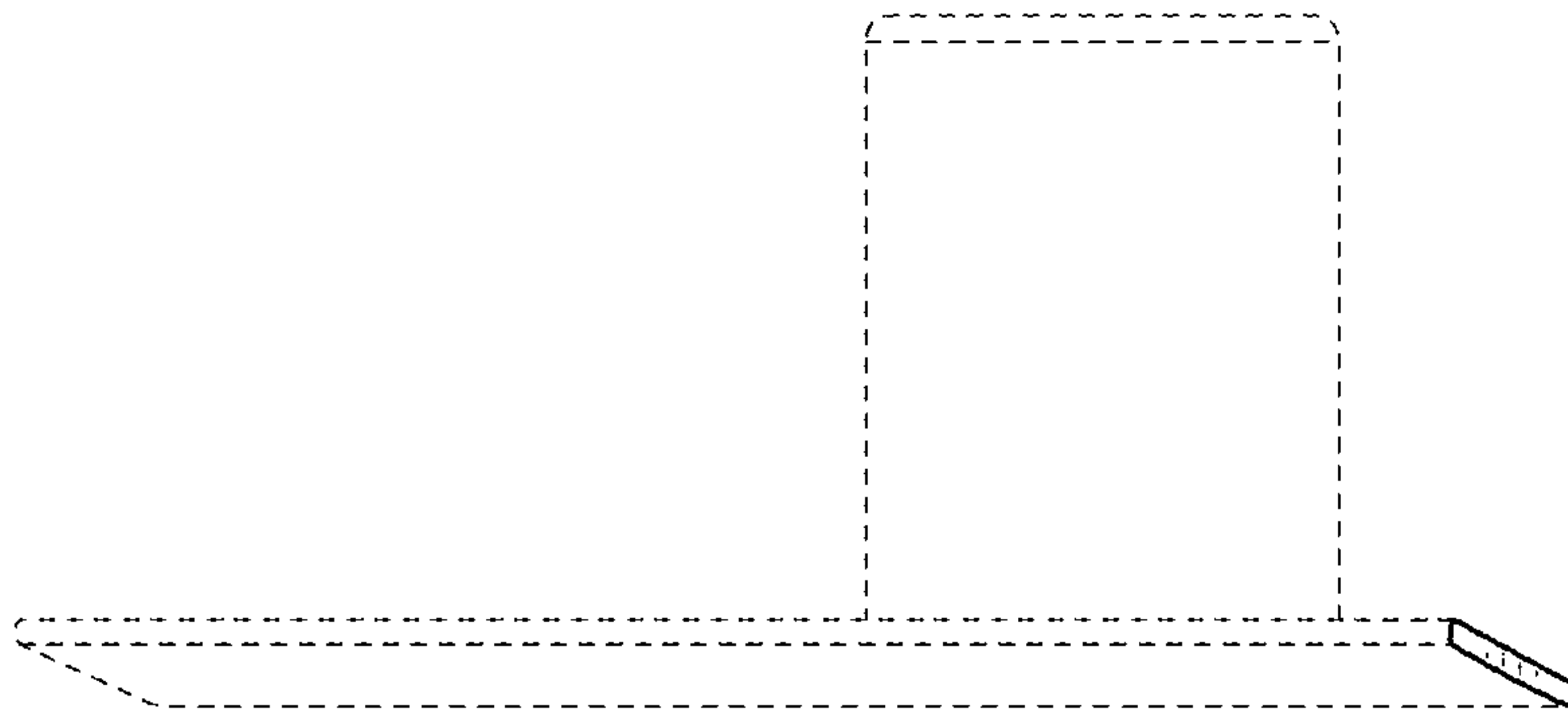


FIG. 3

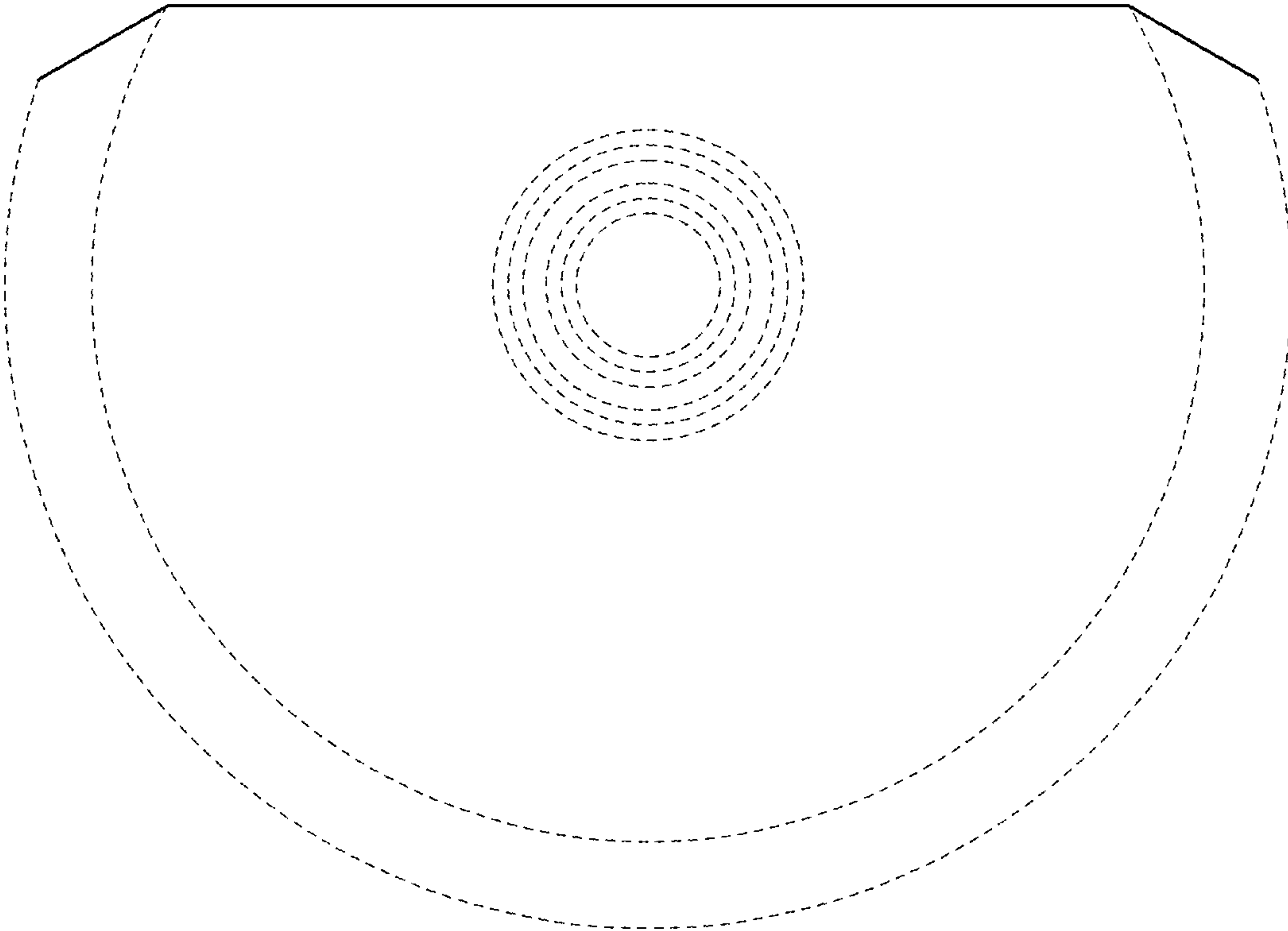


FIG. 4

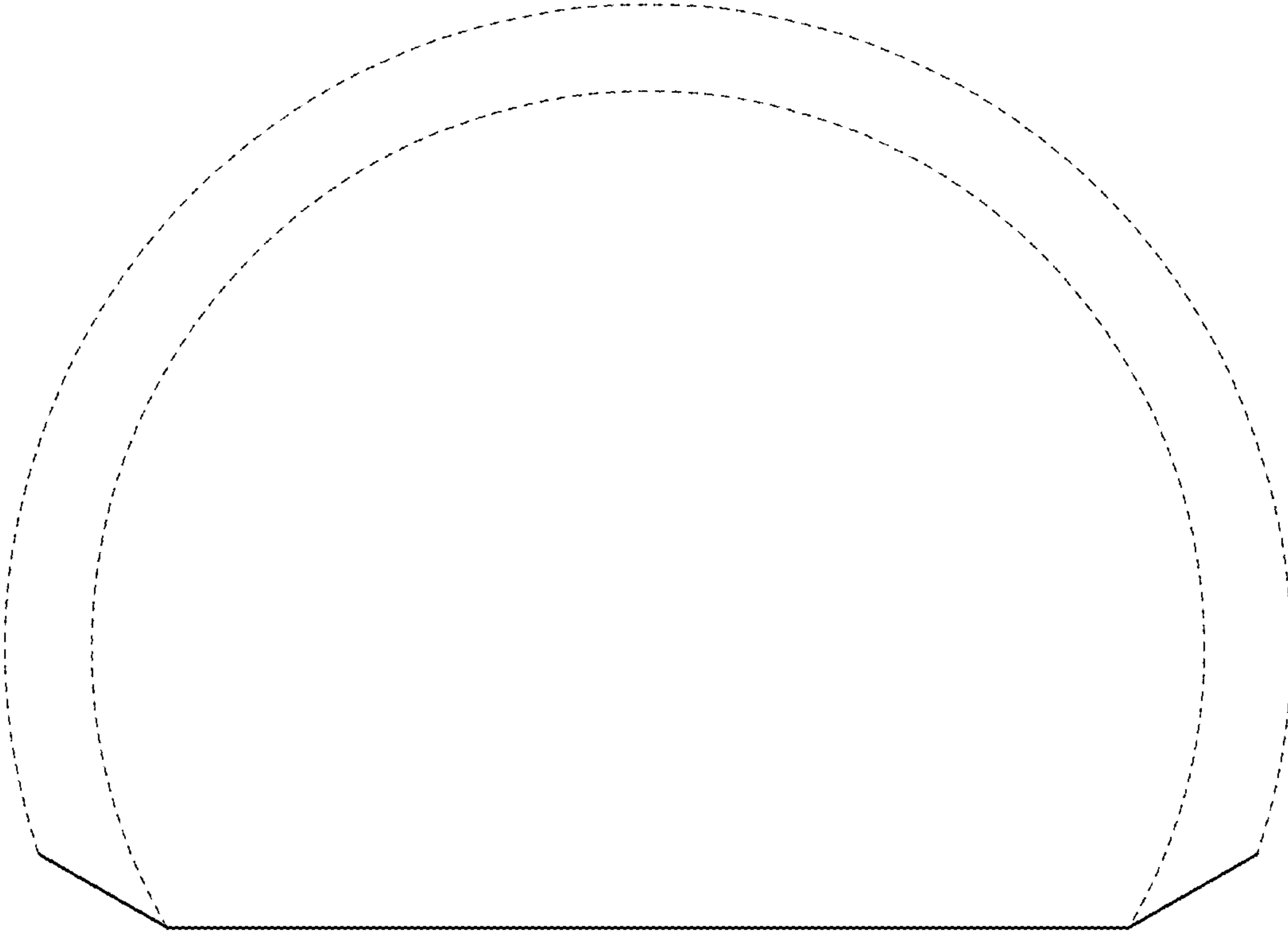


FIG. 5

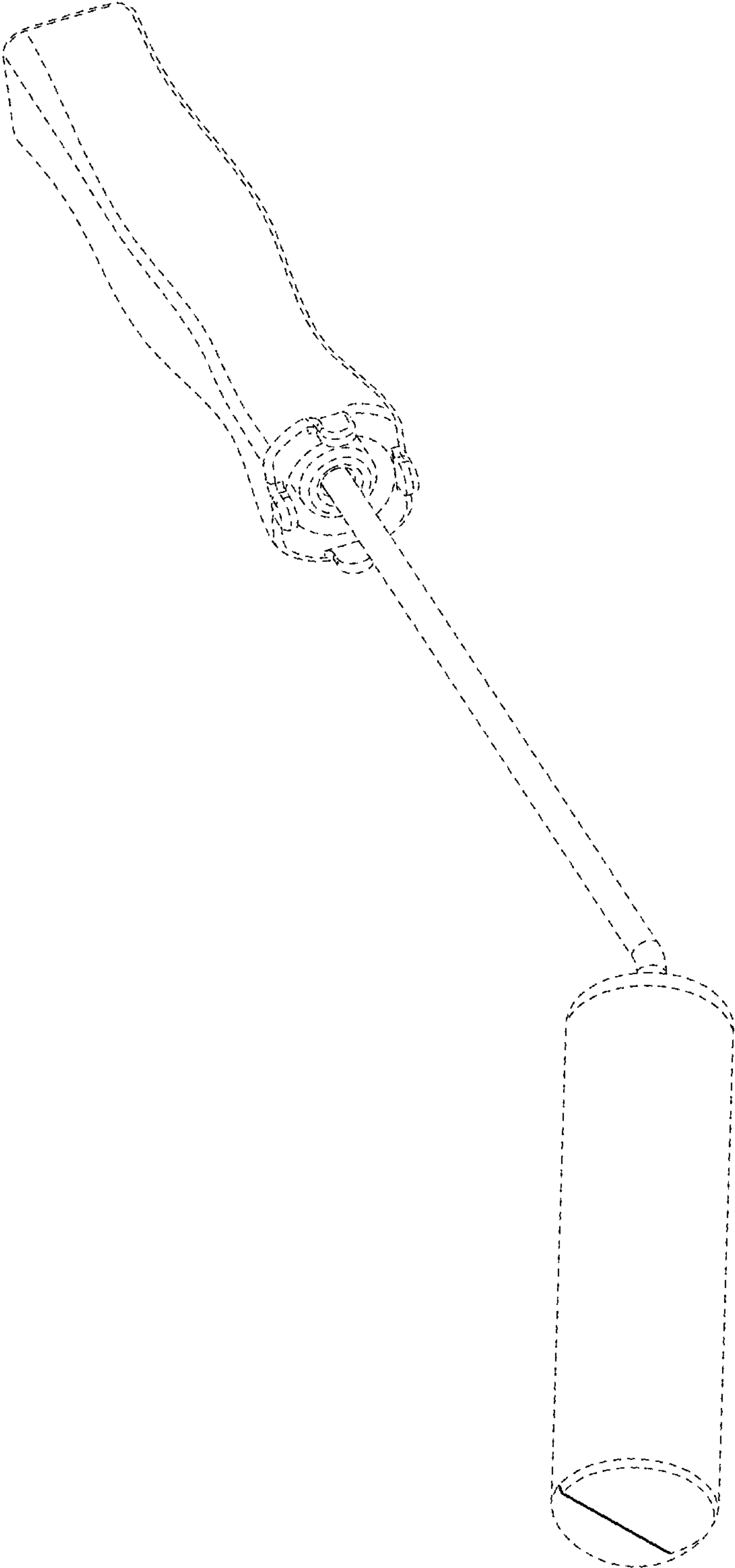


FIG. 6