



US00D994024S

(12) **United States Design Patent**
Astete

(10) **Patent No.:** **US D994,024 S**

(45) **Date of Patent:** **** *Aug. 1, 2023**

(54) **FINGER-BALL CHALLENGER TOY**

(71) Applicant: **David Gustavo Astete**, Alexandria, VA
(US)

(72) Inventor: **David Gustavo Astete**, Alexandria, VA
(US)

(*) Notice: This patent is subject to a terminal disclaimer.

(**) Term: **15 Years**

(21) Appl. No.: **29/749,873**

(22) Filed: **Sep. 9, 2020**

(51) **LOC (14) Cl.** **21-01**

(52) **U.S. Cl.**
USPC **D21/303**

(58) **Field of Classification Search**
USPC D21/300, 301, 302, 303, 304, 305, 309,
D21/310, 312, 313, 314, 315, 699, 701,
D21/702, 703, 704, 705, 706, 707, 708,
D21/759, 781, 789
CPC A63B 65/00; A63B 1/00; A63B 67/00;
A63B 63/00; A63B 63/04; A63B 63/045;
A63B 63/08; A63B 67/06; A63B 47/001;
A63B 69/0086; A63B 2208/0204; A63B
67/083; A63B 67/10; A63B 67/22; A63F
1/067; A47B 25/00

See application file for complete search history.

(56) **References Cited**

U.S. PATENT DOCUMENTS

- 1,339,846 A * 5/1920 Downey A63F 9/0204
273/389
- 3,398,955 A * 8/1968 Rakestraw A63B 69/0079
273/400
- D266,860 S * 11/1982 Nelson D21/717
- D306,058 S * 2/1990 Blake D21/721

- 5,163,680 A * 11/1992 Amron A63B 63/083
273/371
- 5,368,306 A * 11/1994 Madsen A63B 67/083
273/412
- D388,850 S * 1/1998 Ranger D21/759
- D403,483 S * 12/1998 Bernatz D32/35
- D429,301 S * 8/2000 Ranger D21/759
- D577,258 S * 9/2008 Mansfield D7/509
- 7,641,199 B1 * 1/2010 Clarke A63B 67/10
273/330
- D633,948 S * 3/2011 Roach D21/303
- D729,320 S * 5/2015 Parker D21/303
- D761,622 S * 7/2016 Kushner D21/300
- D804,900 S * 12/2017 Choe D7/509
- D809,607 S * 2/2018 Digiacomo D21/333
- D812,162 S * 3/2018 Hassey D21/759
- D856,430 S * 8/2019 Cangi D21/303

(Continued)

Primary Examiner — Mehri F Bajoul

(57) **CLAIM**

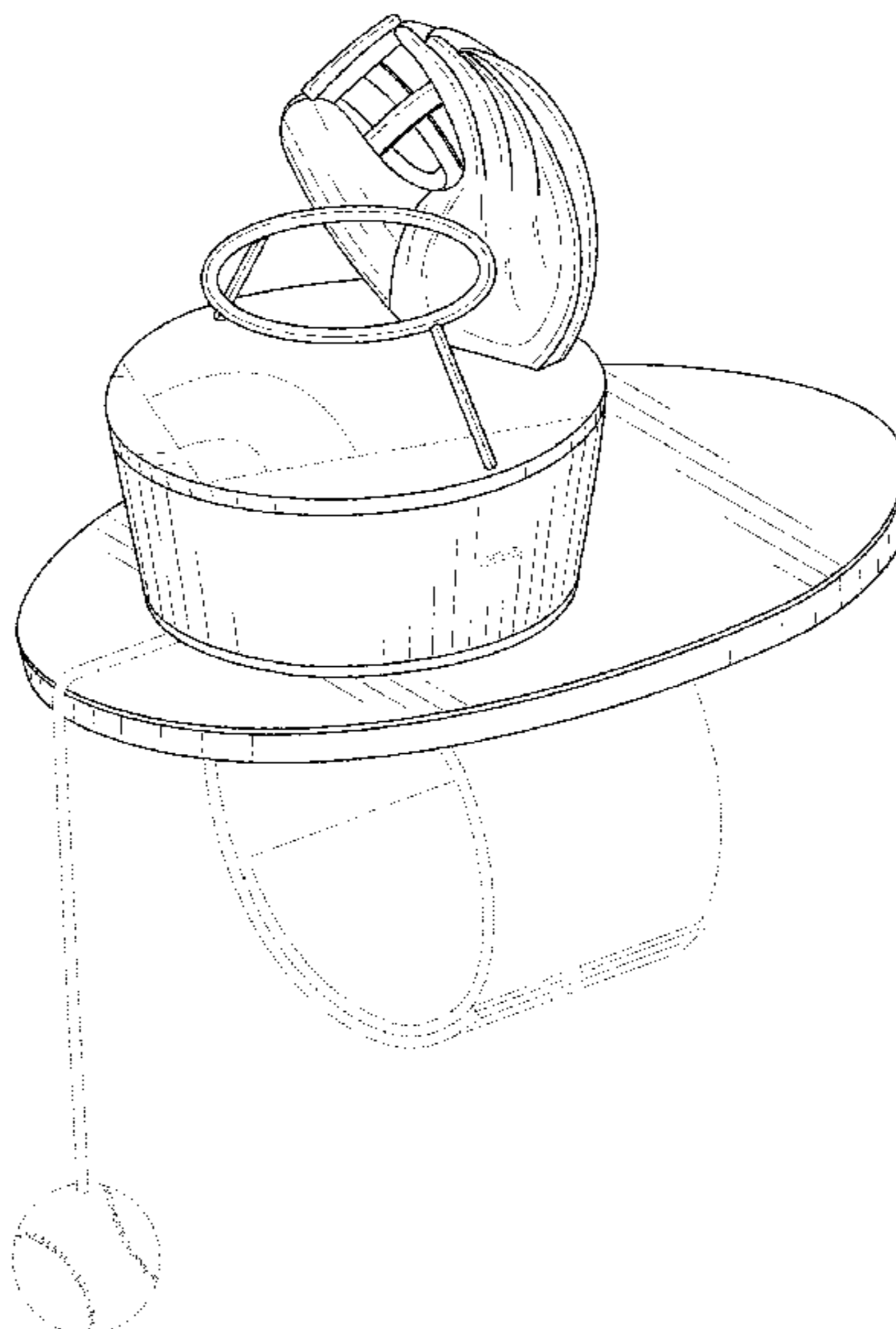
The ornamental design for a finger-ball challenger toy, as shown and described.

DESCRIPTION

FIG. 1 is a top-front-left perspective view of a finger-ball challenger toy showing my new design;
 FIG. 2 is a bottom-rear-right perspective view thereof;
 FIG. 3 is a front elevated view thereof;
 FIG. 4 is a rear elevated view thereof;
 FIG. 5 is a top plan view thereof;
 FIG. 6 is a bottom plan view thereof;
 FIG. 7 is a right elevated view thereof;
 FIG. 8 is a left elevated view thereof;
 FIG. 9 is a top-front-left perspective view thereof showing the claimed design in condition of use; and,
 FIG. 10 is a top-front-left perspective view thereof.

The broken lines showing of the connectors, in FIGS. 1, 2, and 7-10, depict a portion that forms no part of the claimed design. The remaining broken line features depict environmental structures and form no part of the claimed design.

1 Claim, 10 Drawing Sheets



(56)

References Cited

U.S. PATENT DOCUMENTS

D873,347 S *	1/2020	Mauro	D21/302
D878,504 S *	3/2020	Parham	D21/698
D879,226 S *	3/2020	Parham	D21/698
D892,228 S *	8/2020	Waxkirsh	D21/309
D903,025 S *	11/2020	Davis	D21/789
D936,775 S *	11/2021	Yevchak	D21/789
2011/0121512 A1 *	5/2011	Walker, Jr.	A63B 67/10 273/333

* cited by examiner

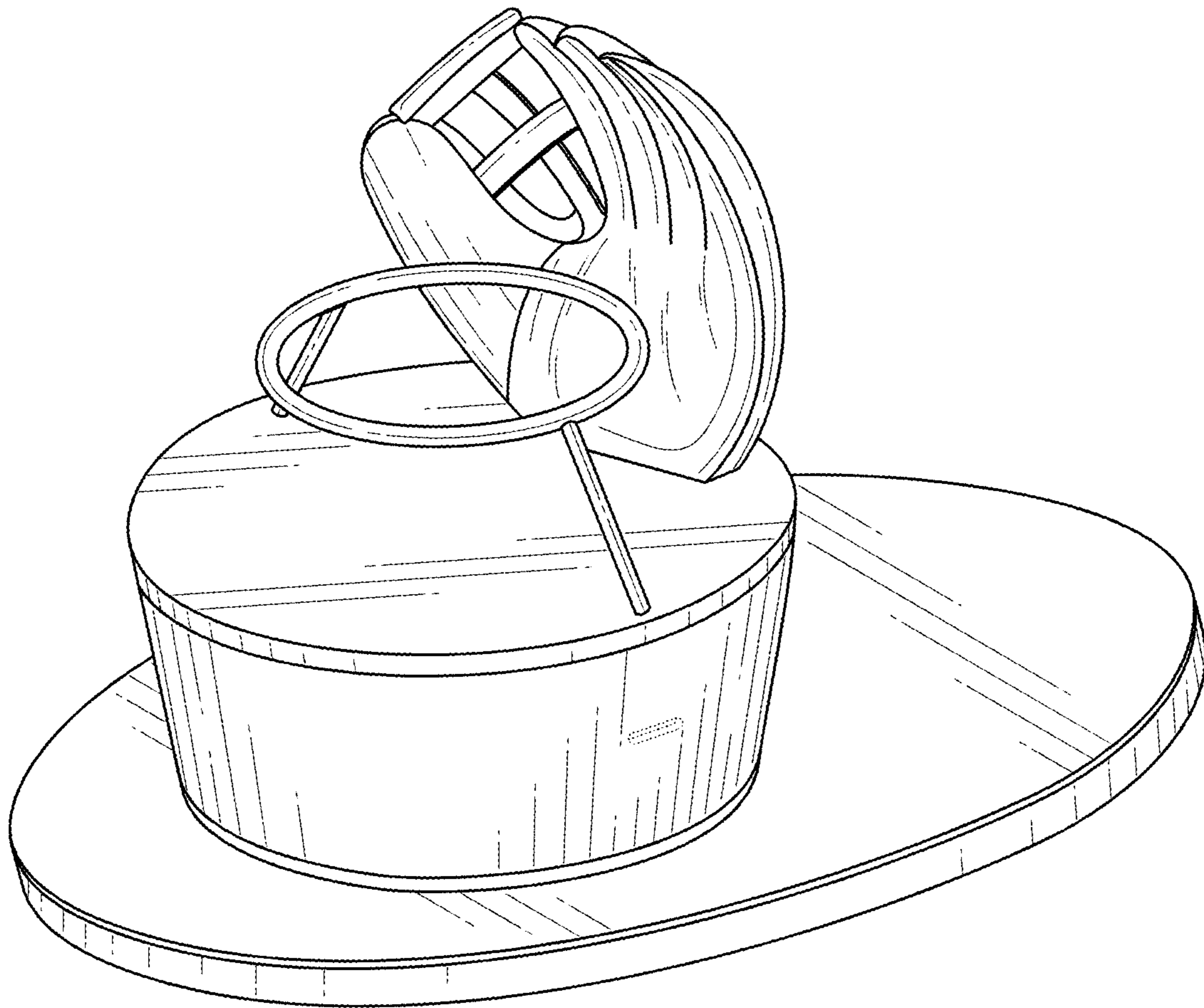


FIG. 1

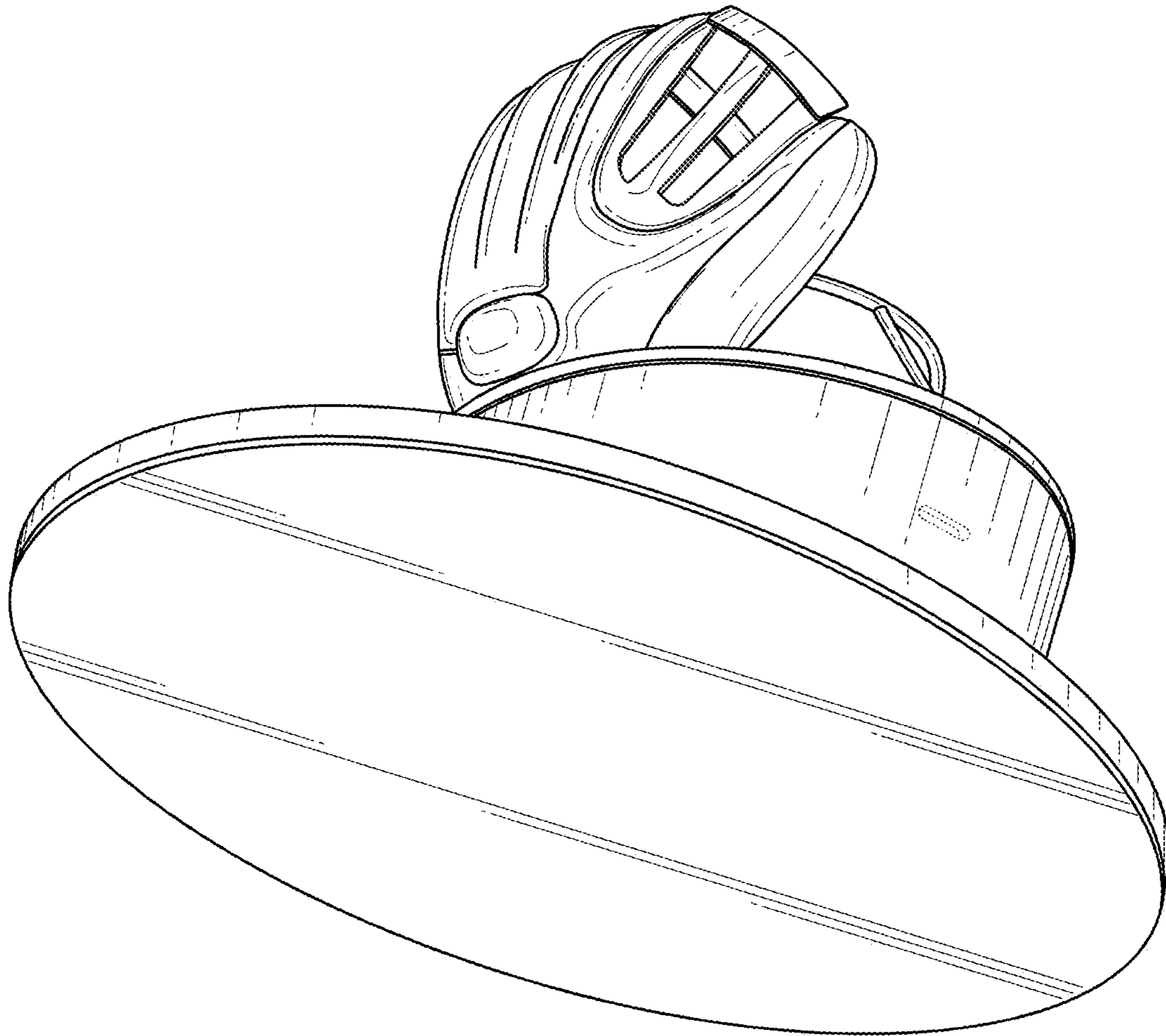


FIG. 2

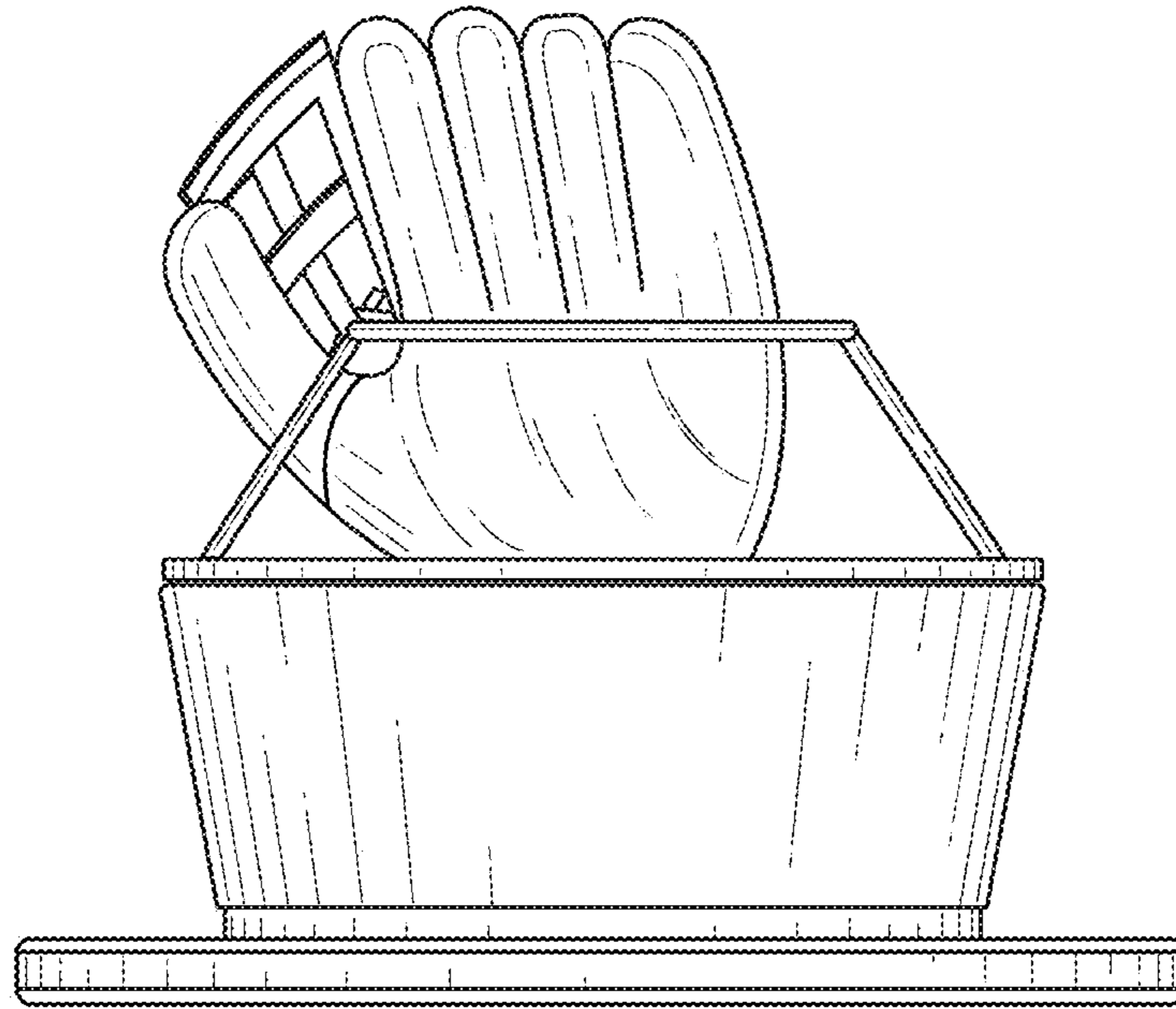


FIG. 3

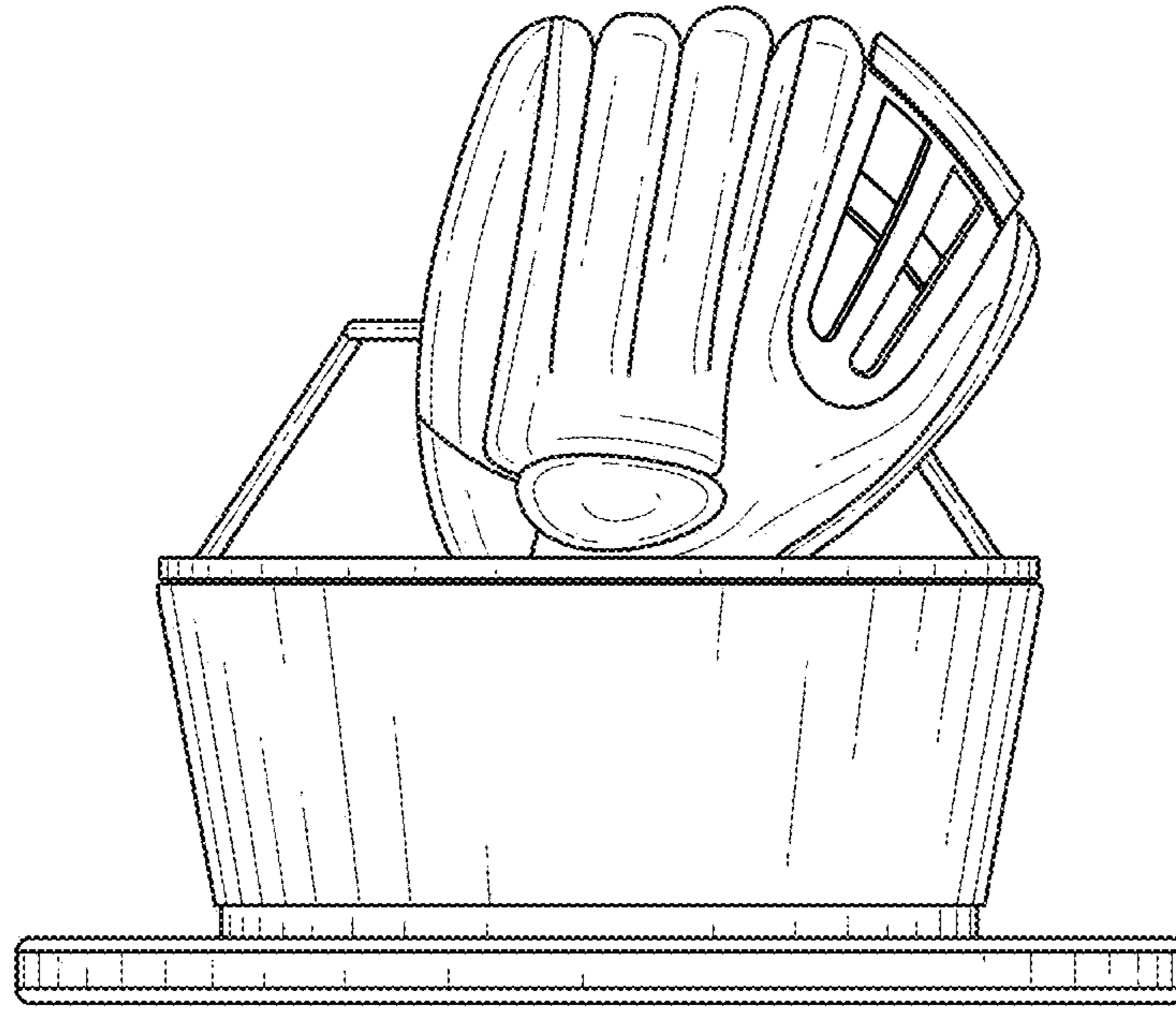


FIG. 4

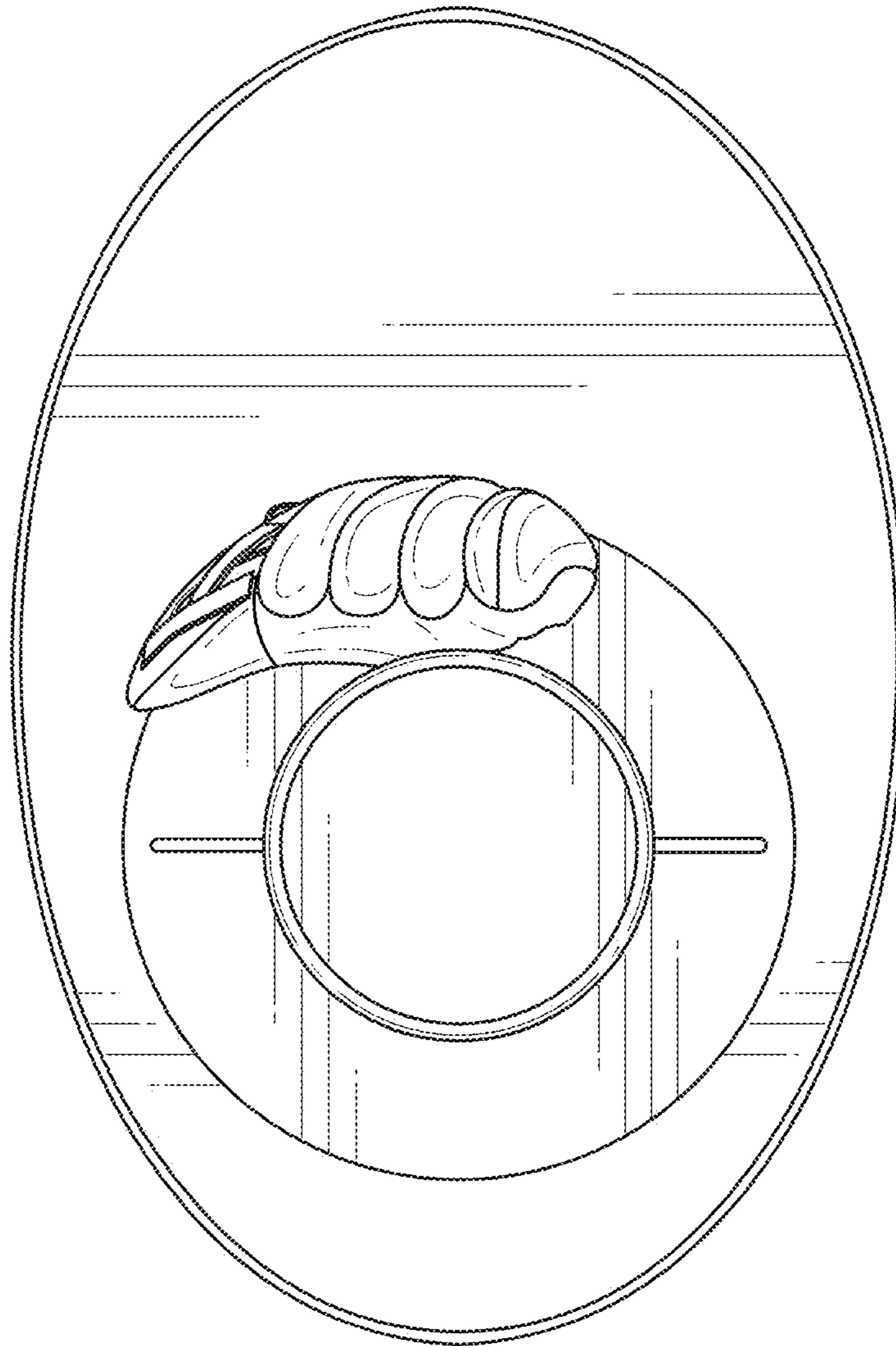


FIG. 5

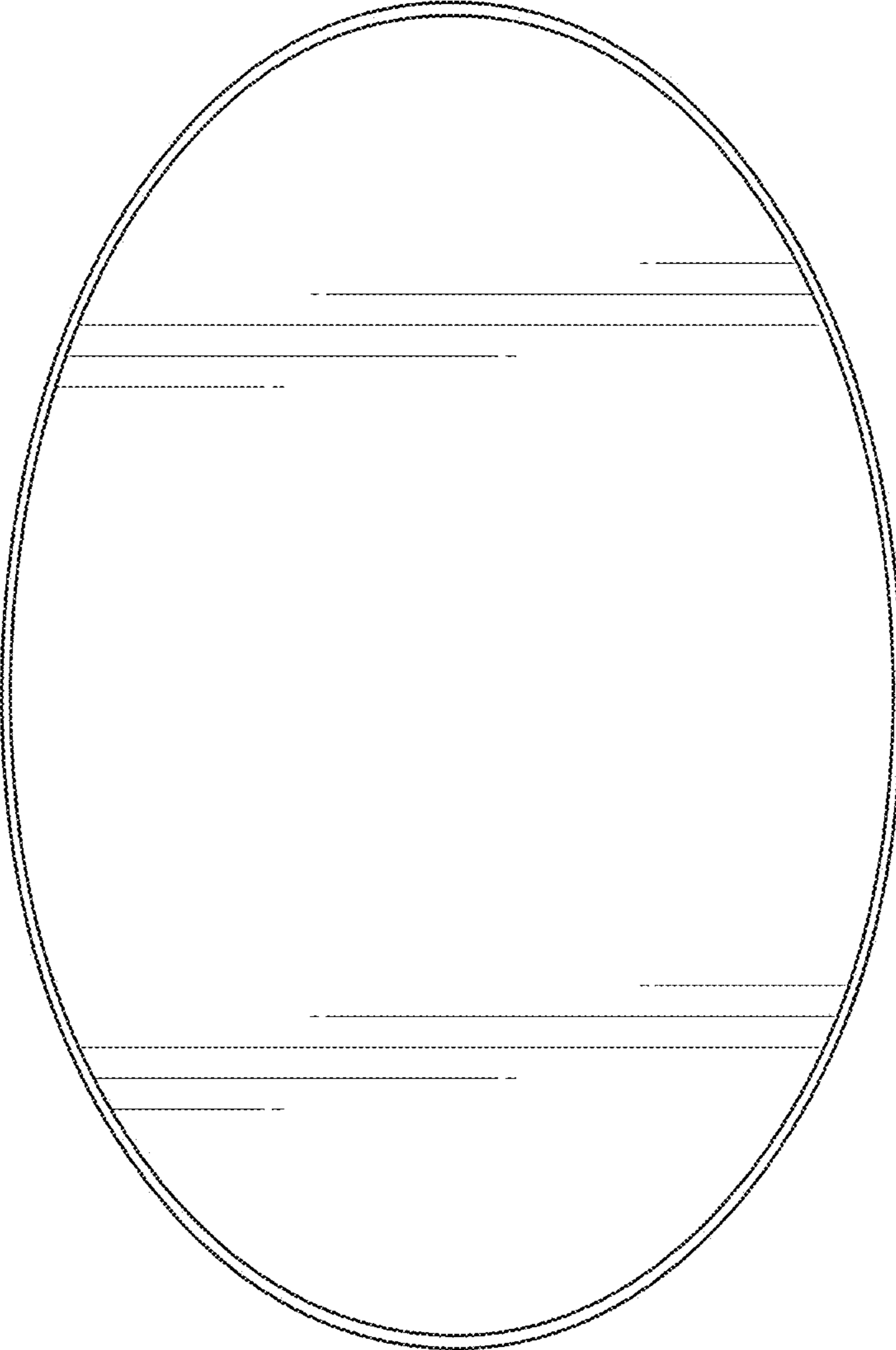


FIG. 6

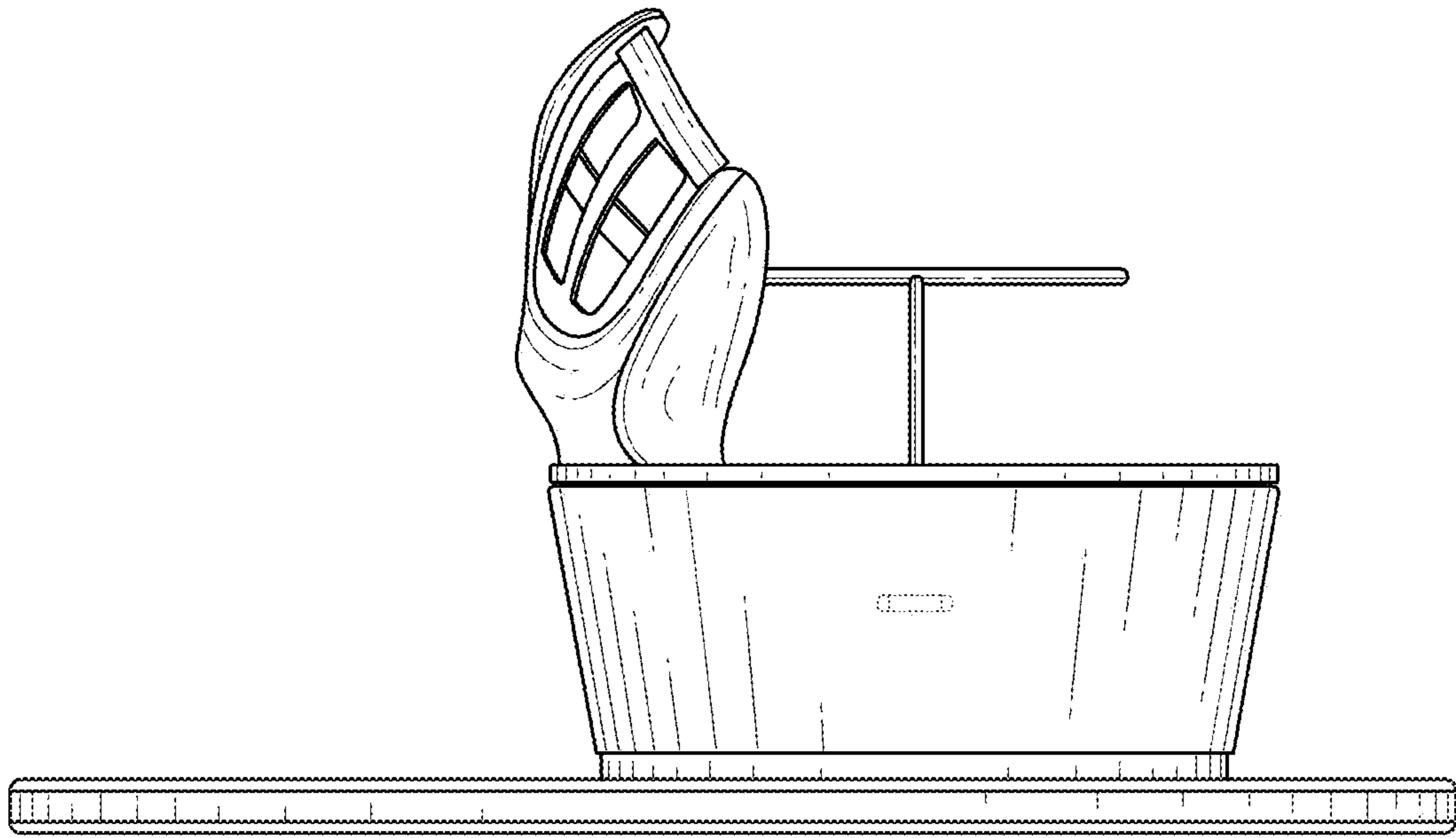


FIG. 7

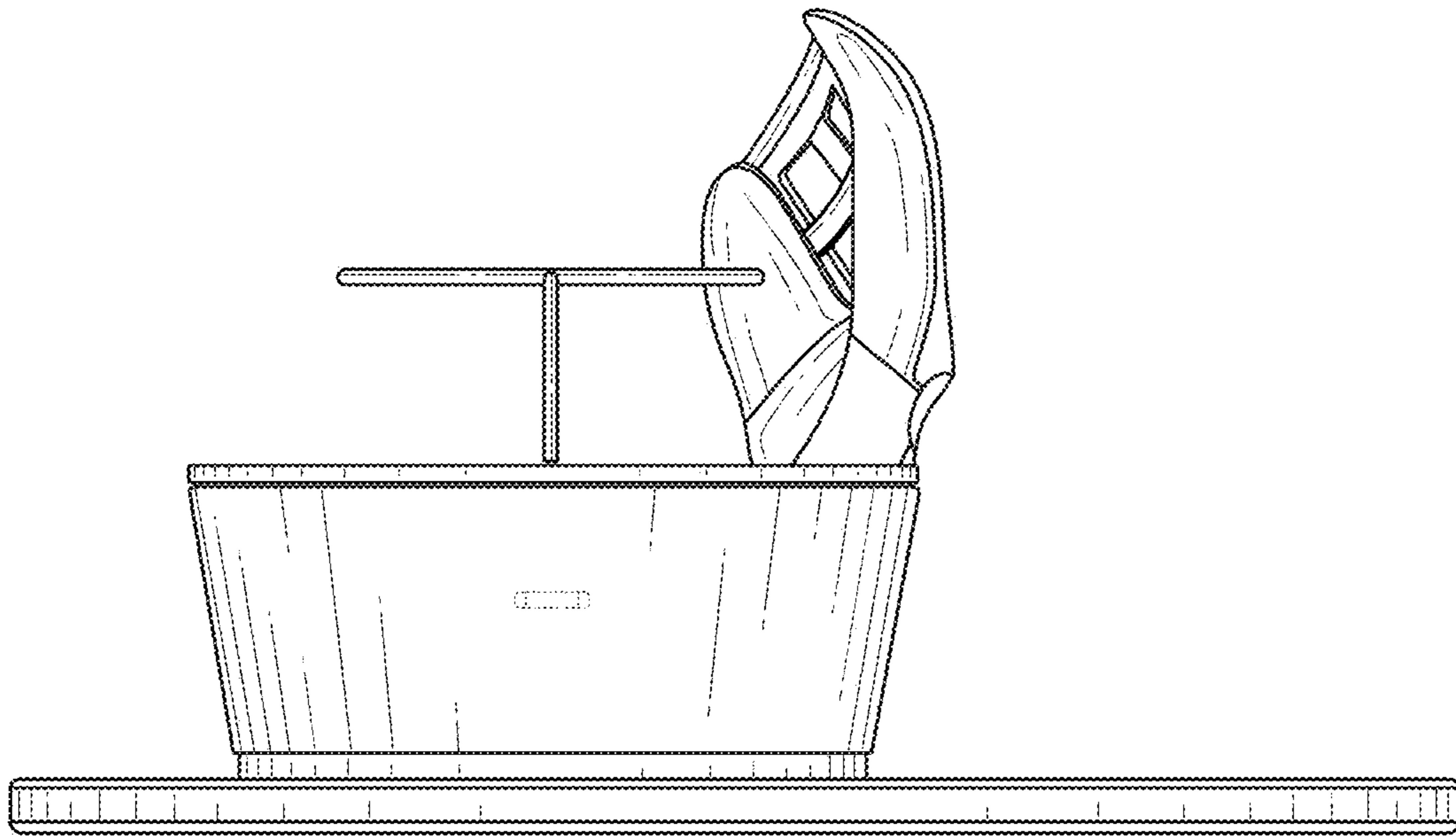


FIG. 8

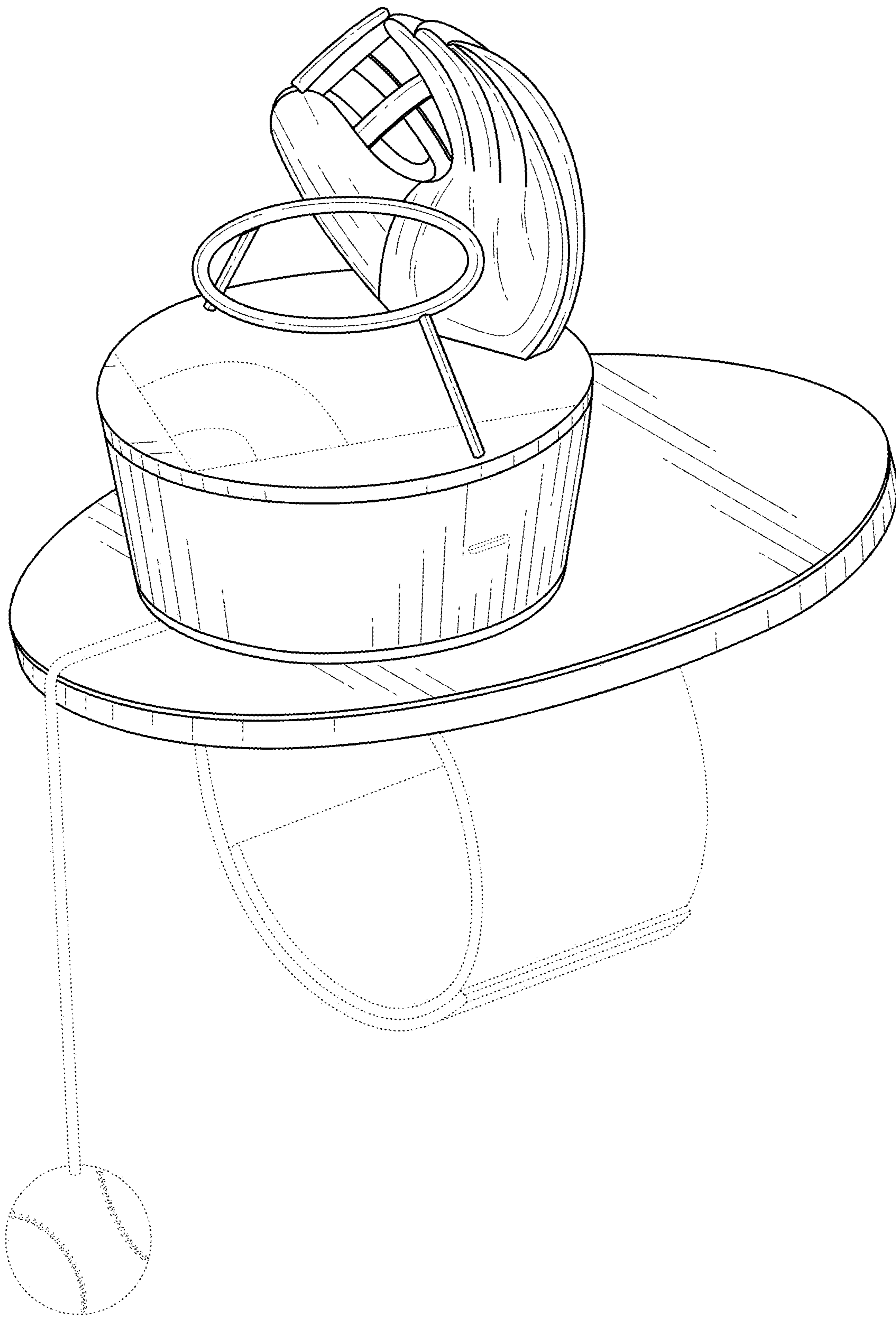


FIG. 9

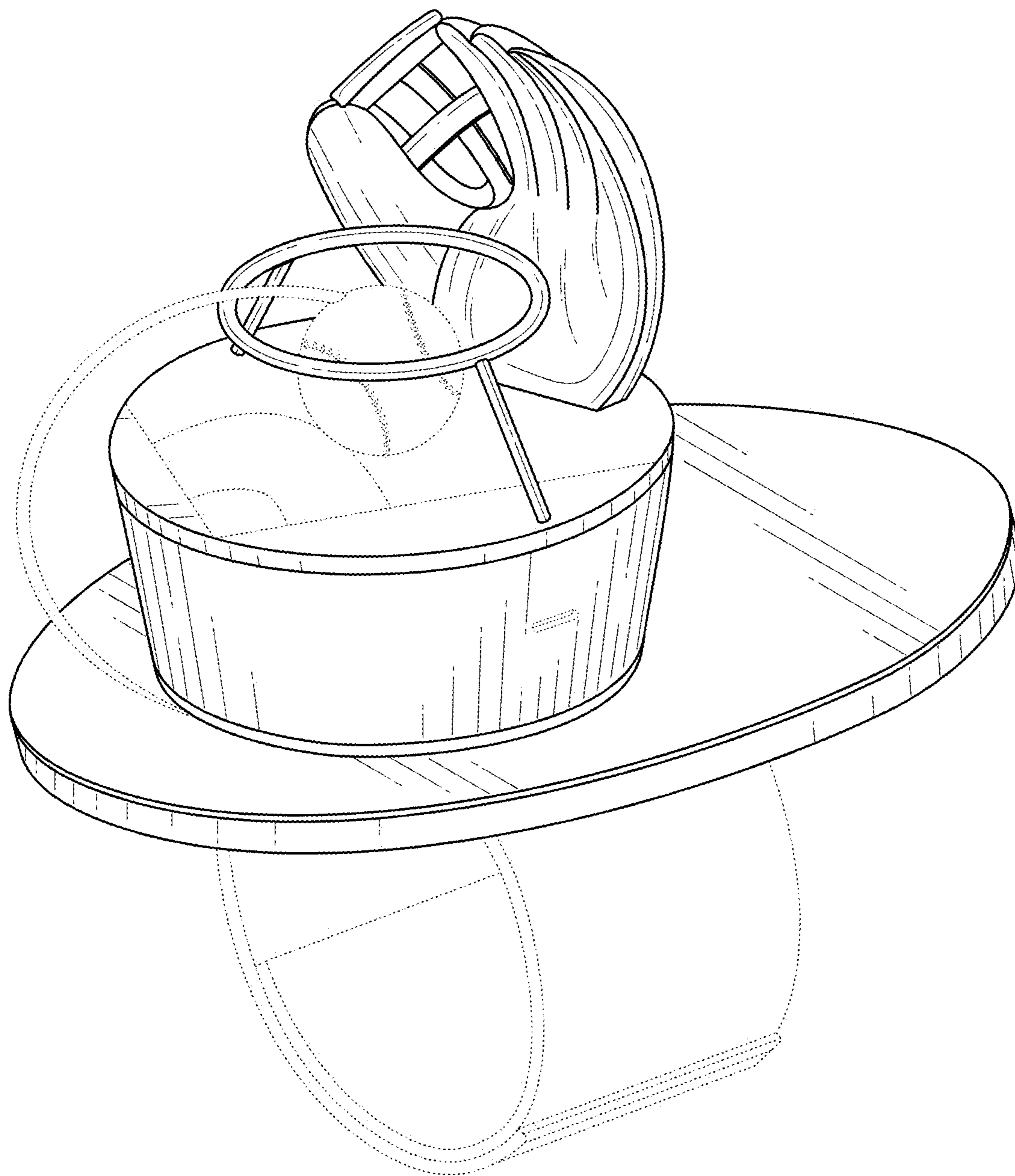


FIG. 10