



US00D993990S

(12) **United States Design Patent** (10) **Patent No.:** **US D993,990 S**
Easter et al. (45) **Date of Patent:** **** Aug. 1, 2023**

(54) **EARTHMOVER TIRE HYDRO FUNNEL**

FOREIGN PATENT DOCUMENTS

(71) Applicants: **Timothy Easter**, Salisbury, NC (US);
Matthew W. King, Bluefield, VA (US)

KR 20180024846 A 3/2018

(72) Inventors: **Timothy Easter**, Salisbury, NC (US);
Matthew W. King, Bluefield, VA (US)

OTHER PUBLICATIONS

(**) Term: **15 Years**

36" Round Conical Metal Wood Gas Fire Pit Campfire Ring Cover,
Retrieved from Internet, Retrieved on Oct. 18, 2018 <URL: <https://www.amazon.com/Round-Conical-Fire-Pit-Campfire/dp/B00GSY3RFM>>.

(21) Appl. No.: **29/725,151**

* cited by examiner

(22) Filed: **Feb. 21, 2020**

(51) **LOC (14) Cl.** **12-16**

Primary Examiner — Richard Kearney

(52) **U.S. Cl.**

Assistant Examiner — Benjamin M Weeks

USPC **D12/202; D7/700; D15/28**

(58) **Field of Classification Search**

(57) **CLAIM**

USPC D7/700; D15/28, 150–152, 199;
D23/200; D12/202, 204, 400

The ornamental design for an earthmover tire hydro funnel,
as shown and described.

CPC B67C 11/00; B67C 11/02; B67C 11/04
See application file for complete search history.

DESCRIPTION

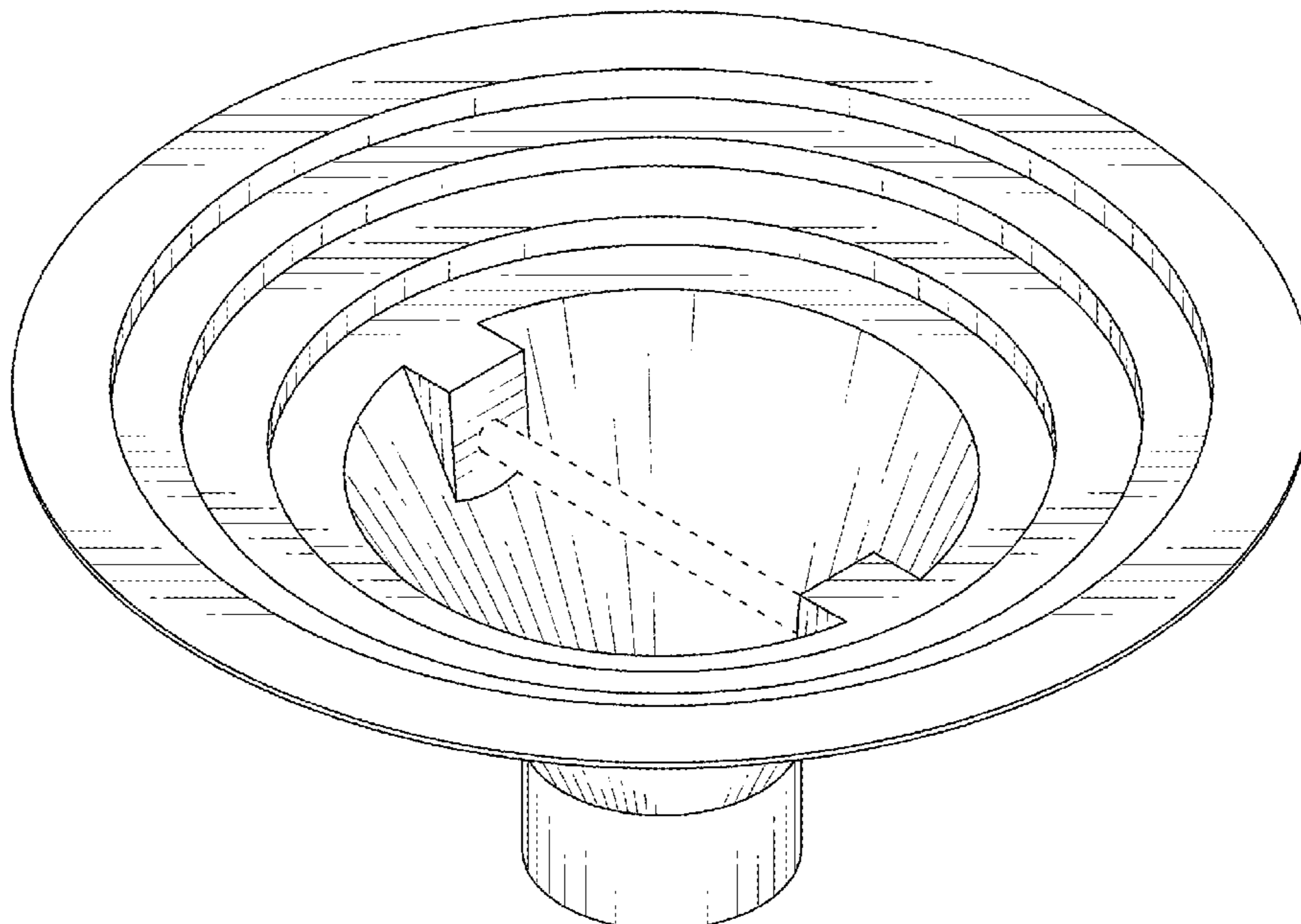
(56) **References Cited**

U.S. PATENT DOCUMENTS

1,563,005	A *	11/1925	William	B67C 11/02
					141/338
2,811,181	A *	10/1957	Correll	B67C 11/02
					D7/700
3,265,224	A	8/1966	Skubic		
D217,689	S *	5/1970	Donelson	D15/28
D261,212	S *	10/1981	Mills	D7/700
D309,241	S *	7/1990	Ayyoubi	D23/200
5,238,228	A	8/1993	Moon		
D341,147	S *	11/1993	Pollak	D15/150
D375,878	S *	11/1996	Morris	D7/700
6,044,968	A	4/2000	Iampen		
7,178,669	B2	2/2007	Atkinson		
D661,957	S *	6/2012	Lee	D7/700
D688,924	S *	9/2013	Enghard	D7/700
D738,169	S *	9/2015	Weisenbach	D7/700

FIG. 1 is a top perspective view of an earthmover tire hydro funnel showing my new design;
FIG. 2 is a bottom perspective view thereof;
FIG. 3 is a front elevated view thereof;
FIG. 4 is a rear elevated view thereof;
FIG. 5 is a top plan view thereof;
FIG. 6 is a bottom plan view thereof;
FIG. 7 is a right elevated view thereof;
FIG. 8 is a left elevated view thereof; and,
FIG. 9 is a top cross-sectional perspective view thereof taken in the direction of line 9-9 of FIG. 4.
The broken lines showing of a rod and clips in FIG. 1-9 are included for the purpose of showing environmental structure and form no part of the claimed design.

1 Claim, 9 Drawing Sheets



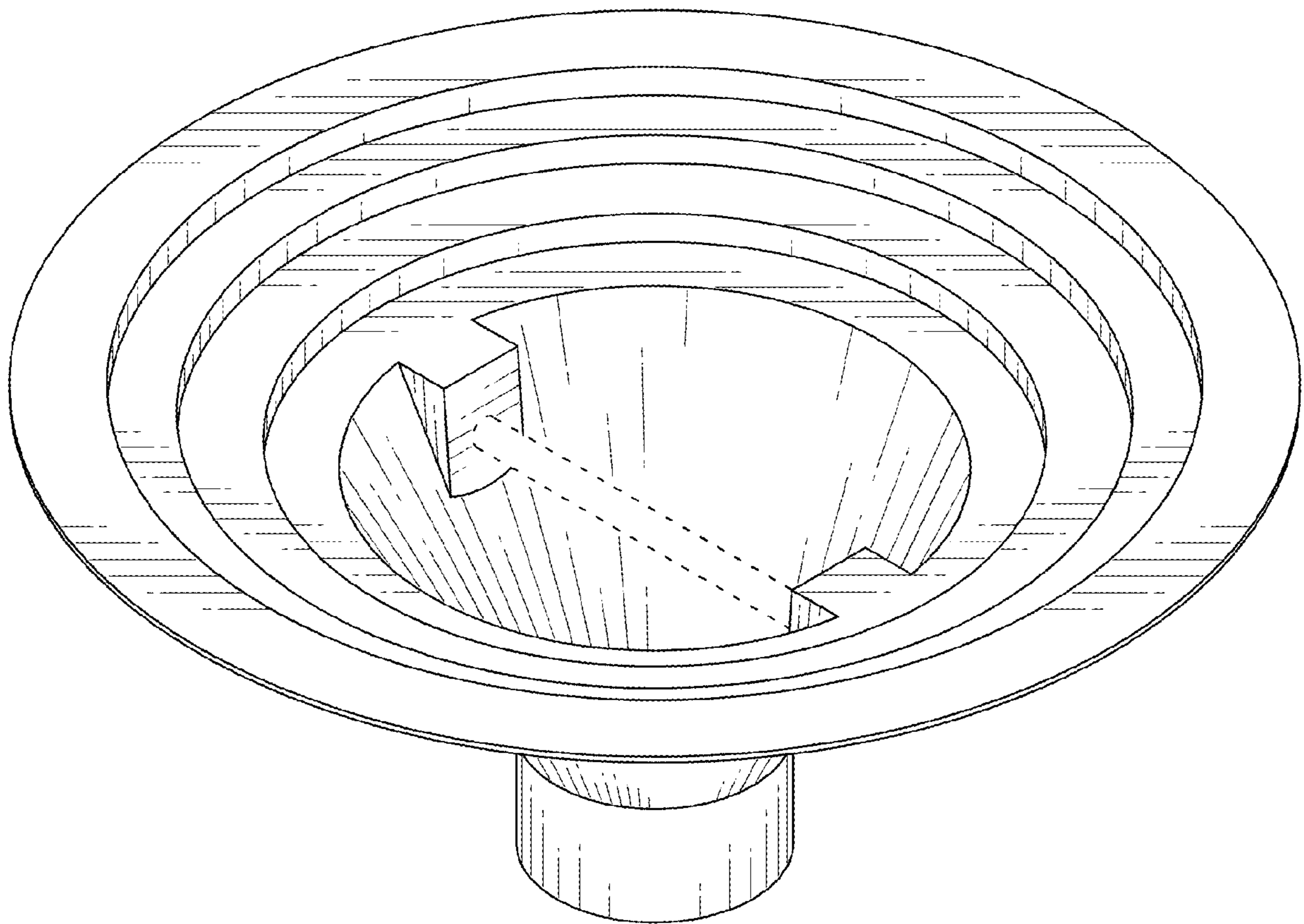


FIG. 1

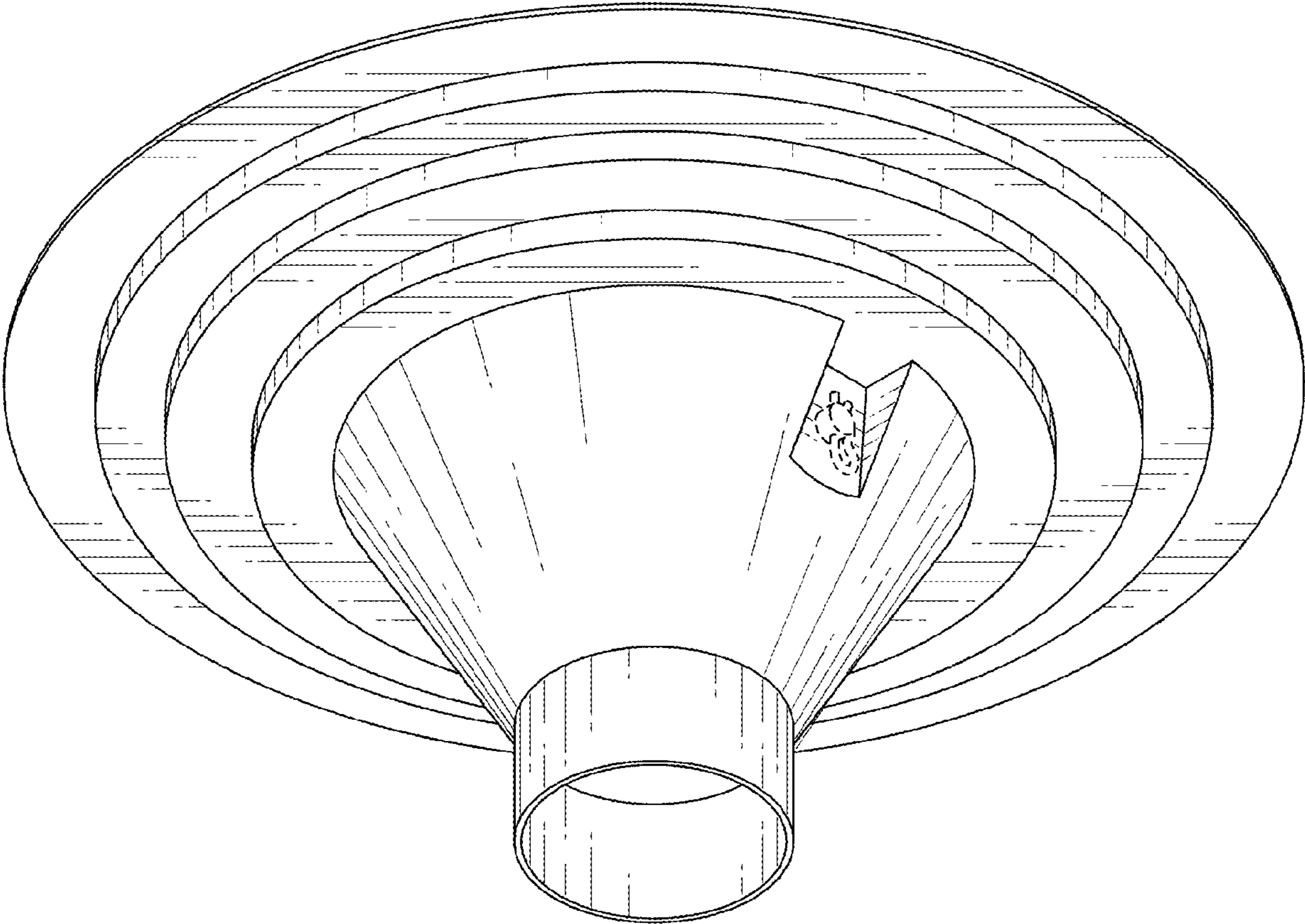


FIG. 2

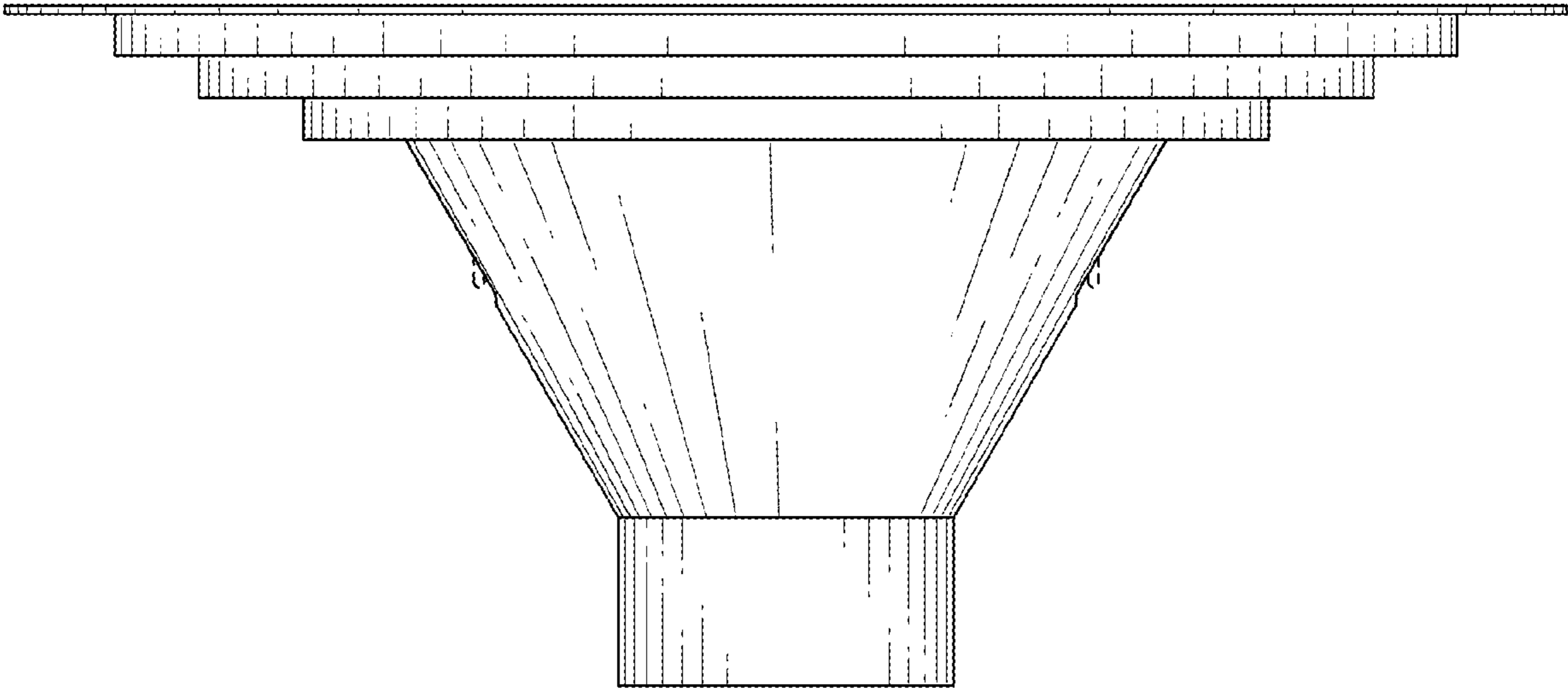


FIG. 3

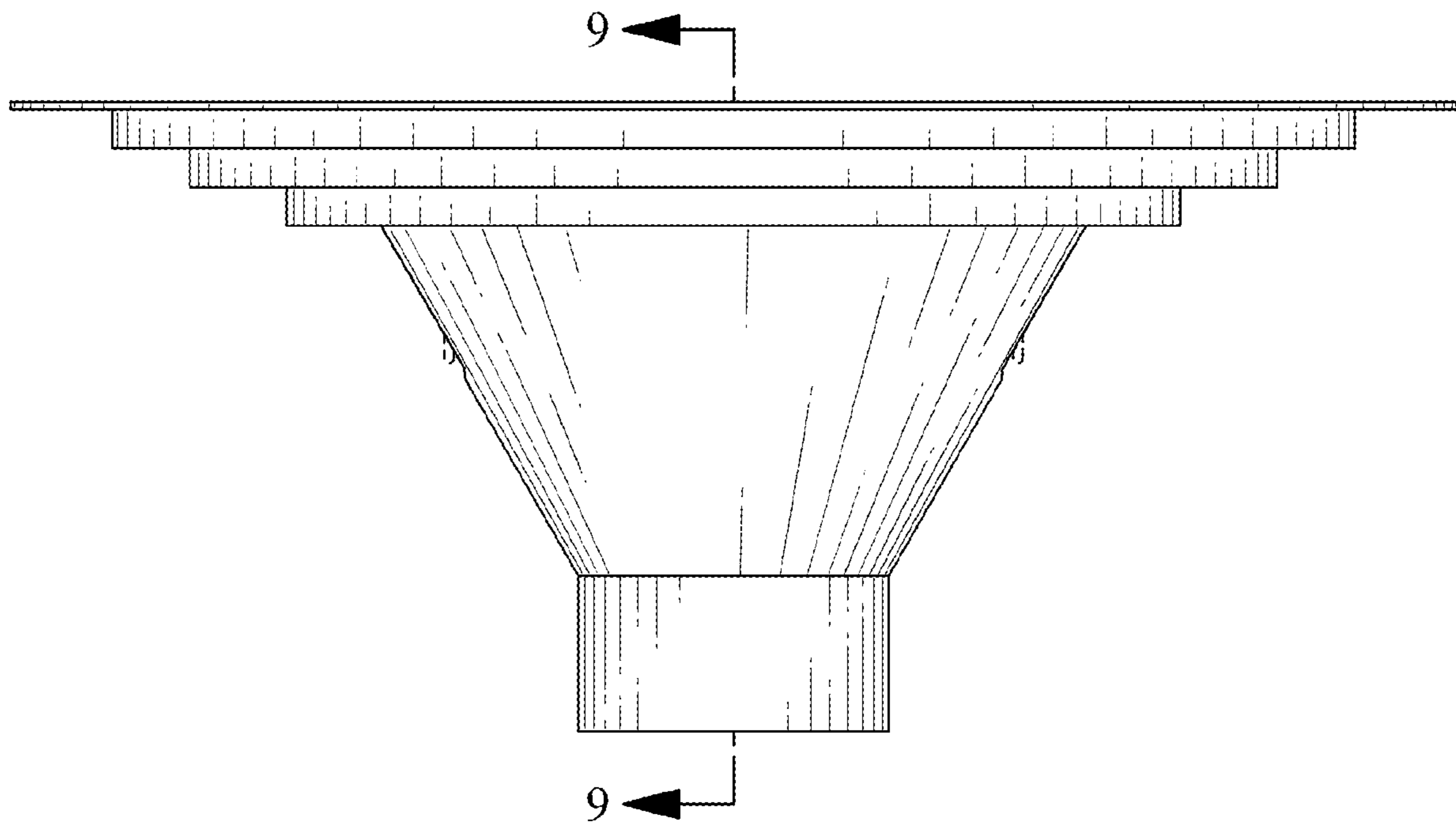


FIG. 4

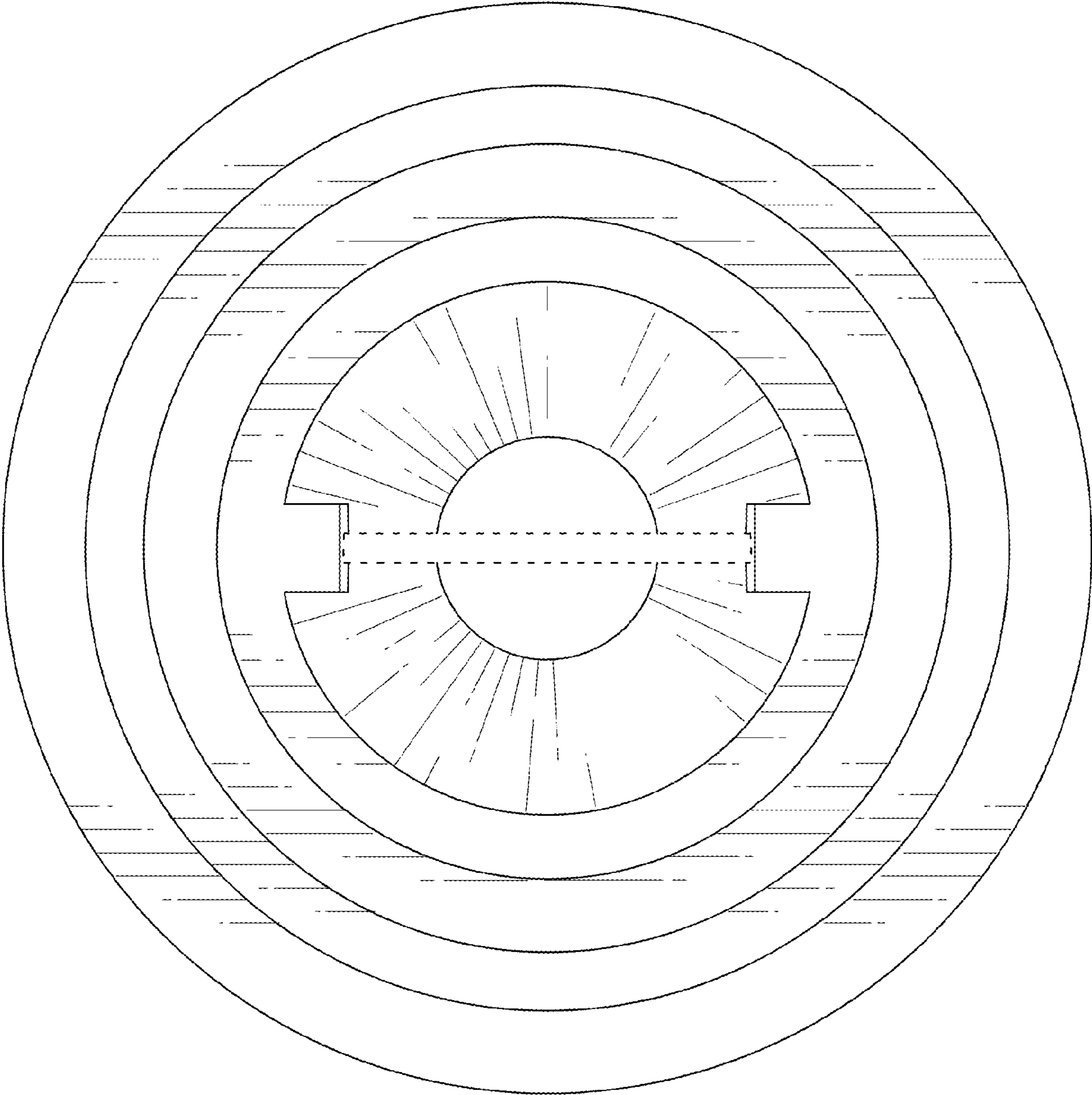


FIG. 5

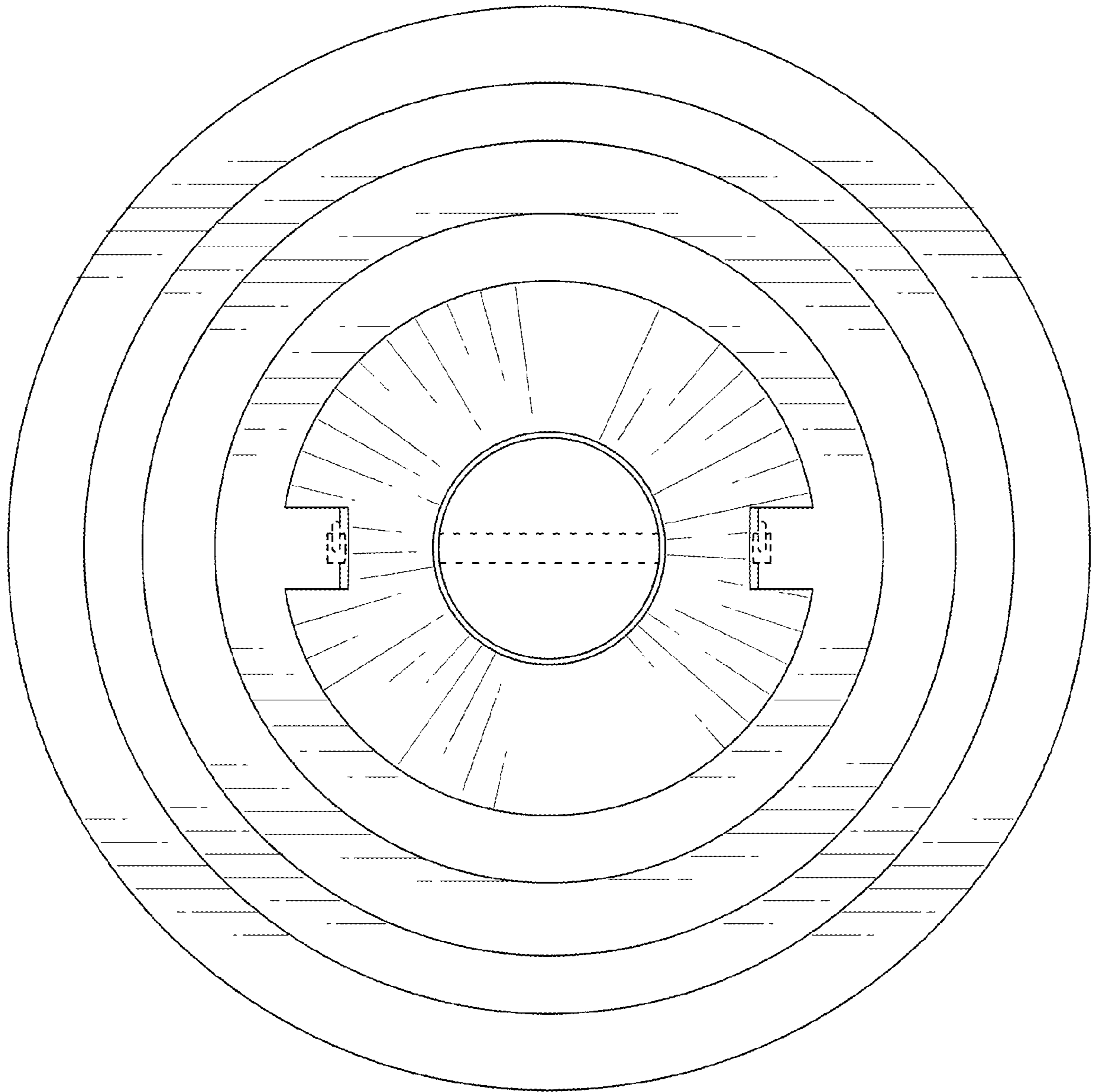


FIG. 6

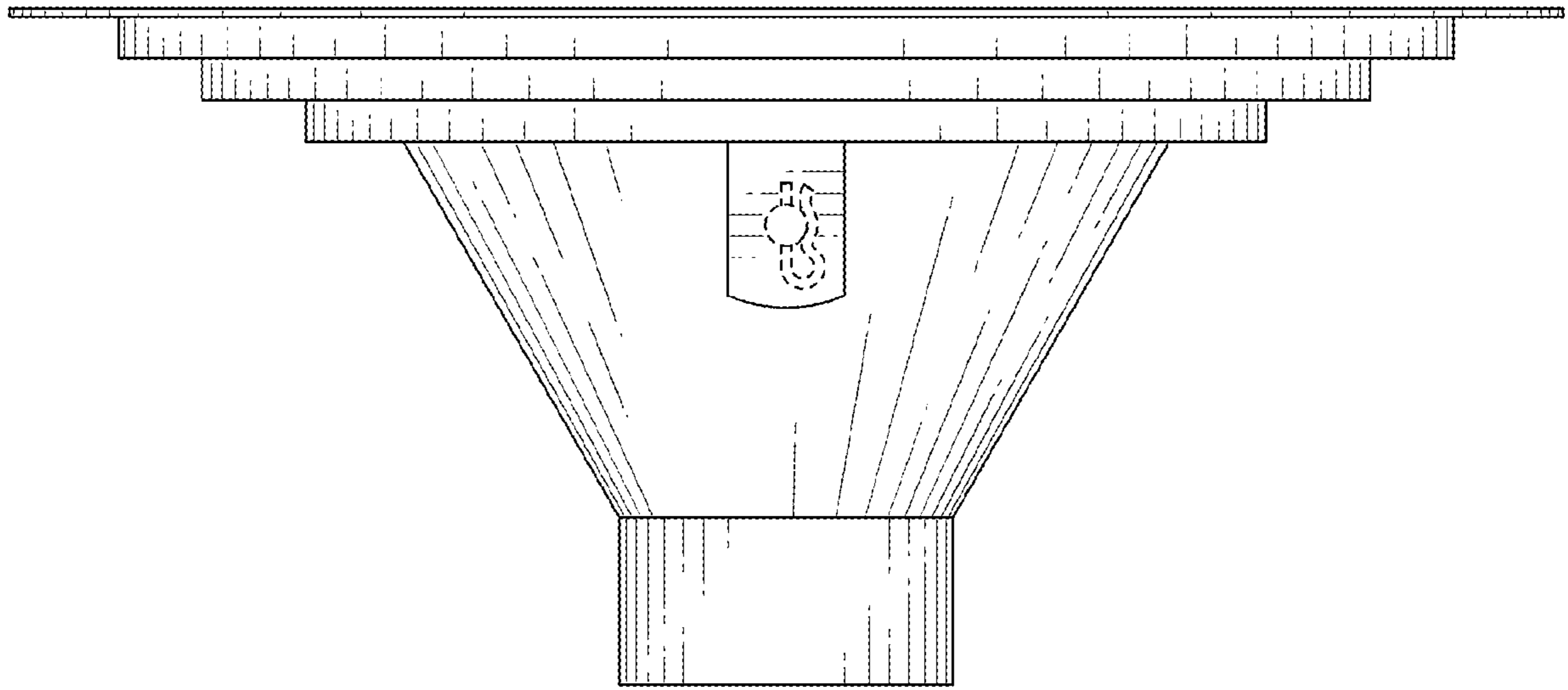


FIG. 7

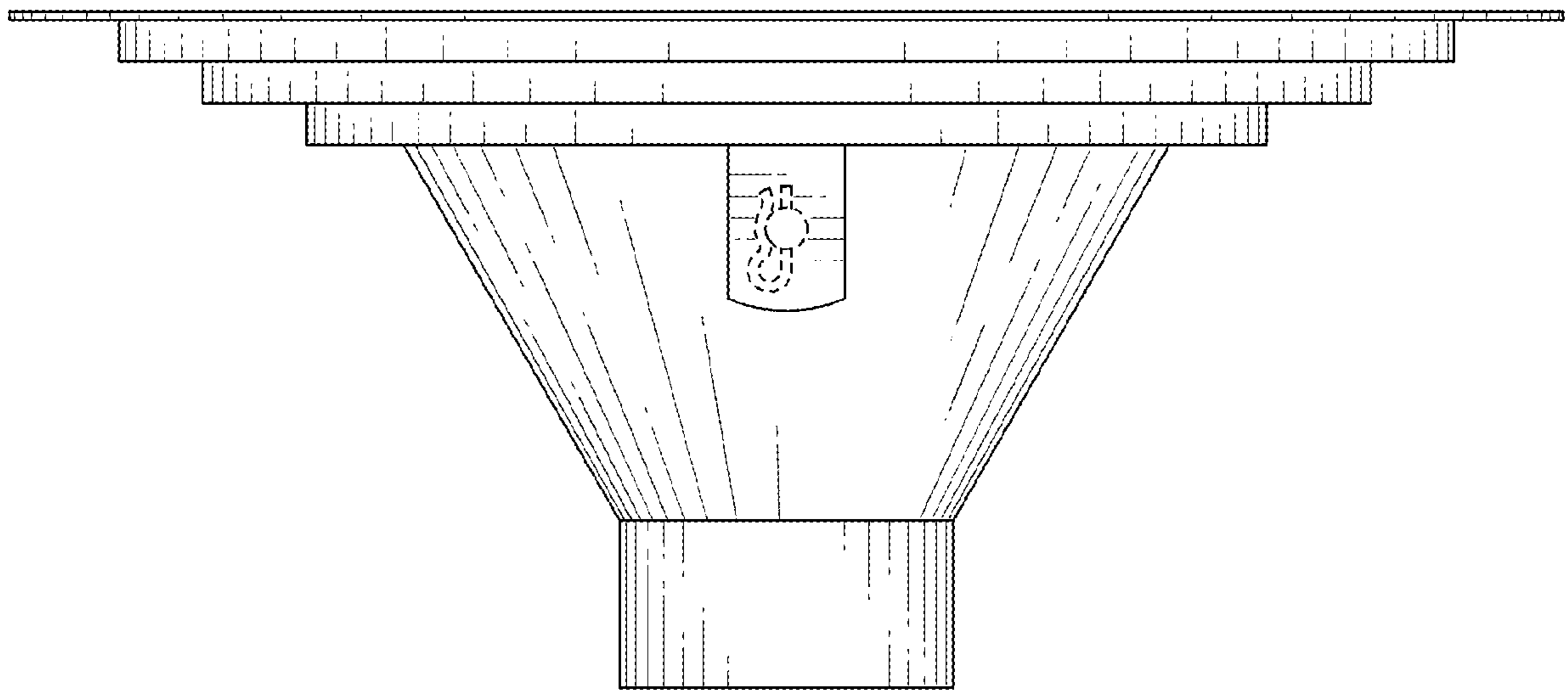


FIG. 8

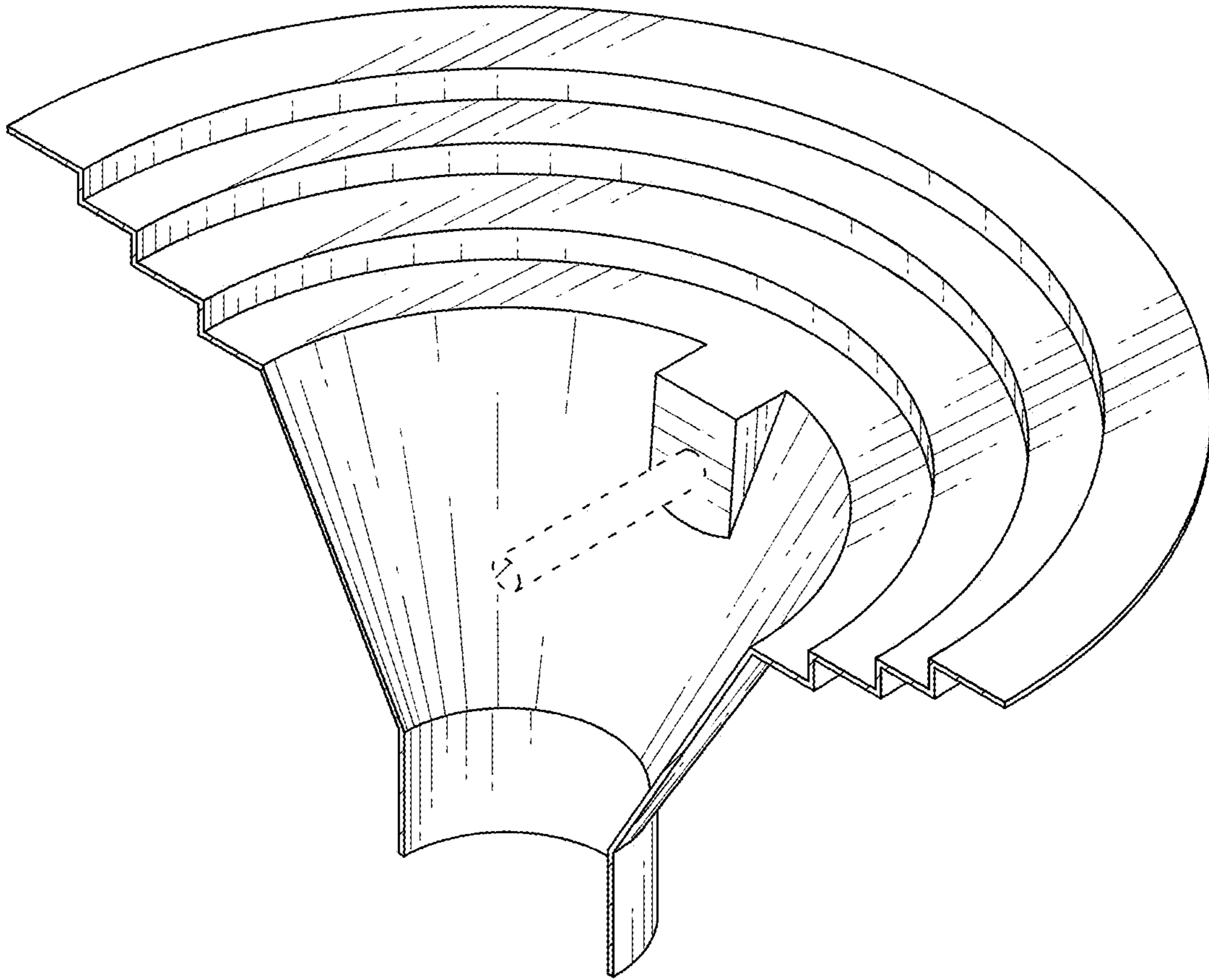


FIG. 9