



US00D993889S

(12) **United States Design Patent**
Kang

(10) **Patent No.:** **US D993,889 S**

(45) **Date of Patent:** **** Aug. 1, 2023**

- (54) **DOCUMENT DISPLAY HOLDER**
- (71) Applicant: **Suk Young Kang**, Chantilly, VA (US)
- (72) Inventor: **Suk Young Kang**, Chantilly, VA (US)
- (**) Term: **15 Years**
- (21) Appl. No.: **29/784,220**
- (22) Filed: **May 18, 2021**

D946,492 S *	3/2022	Qu	D12/415
D958,133 S *	7/2022	Huang	D12/415
D962,218 S *	8/2022	Zhang	D12/415
D964,911 S *	9/2022	Shi	D12/415
D965,502 S *	10/2022	Zhang	D12/415
D969,725 S *	11/2022	Fry	D12/415
D976,892 S *	1/2023	Luo	D12/415
D977,405 S *	2/2023	Tian	D12/415
D980,836 S *	3/2023	Chen	D12/415

* cited by examiner

Primary Examiner — Katrina A Betton

Related U.S. Application Data

- (63) Continuation-in-part of application No. 17/244,639, filed on Apr. 29, 2021, now abandoned.
- (51) **LOC (14) Cl.** **12-16**
- (52) **U.S. Cl.**
USPC **D12/415**
- (58) **Field of Classification Search**
USPC D12/415, 416, 417, 418, 419, 420, 400,
D12/190, 106, 195, 345, 96, 99; D6/513,
D6/514, 553, 556, 611, 559
CPC B64D 11/04; B64D 13/08; B60R 11/02
See application file for complete search history.

(57) **CLAIM**

The ornamental design for a document display holder, as shown and described.

DESCRIPTION

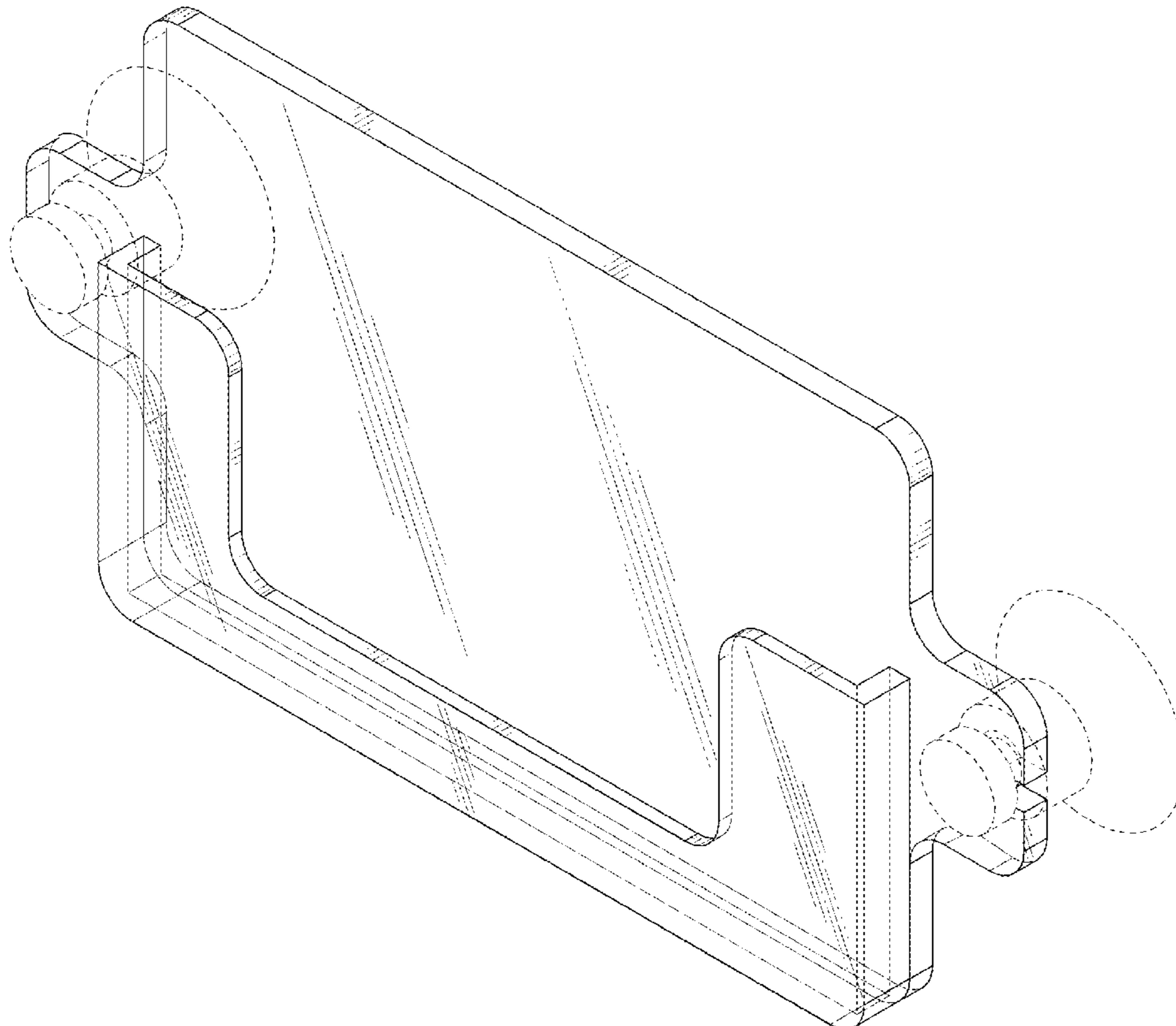
FIG. 1 is a top-front-left perspective view of a document display holder showing my new design;
 FIG. 2 is a bottom-rear-right perspective view thereof;
 FIG. 3 is a front elevational view thereof;
 FIG. 4 is a rear elevational view thereof;
 FIG. 5 is a top plan view thereof;
 FIG. 6 is a bottom plan view thereof;
 FIG. 7 is a right-side elevational view thereof; and,
 FIG. 8 is a left-side elevational view thereof.
 The dashed lines showing a plurality of fasteners is included for the purpose of illustrating environmental structure and forms no part of the claimed design.

(56) **References Cited**

U.S. PATENT DOCUMENTS

D920,221 S *	5/2021	Yang	D12/415
D944,185 S *	2/2022	Hodge	D12/415

1 Claim, 8 Drawing Sheets



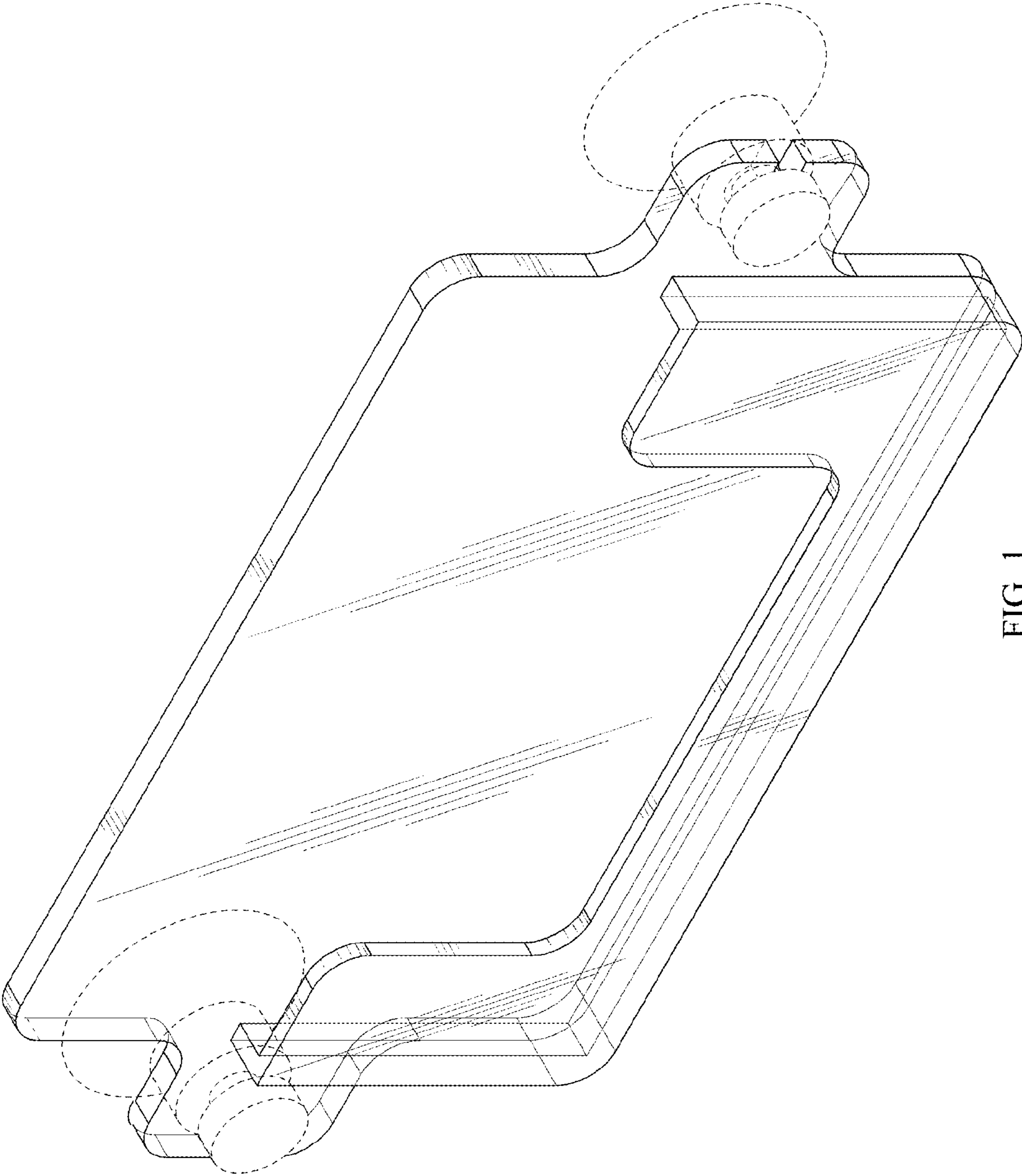


FIG. 1

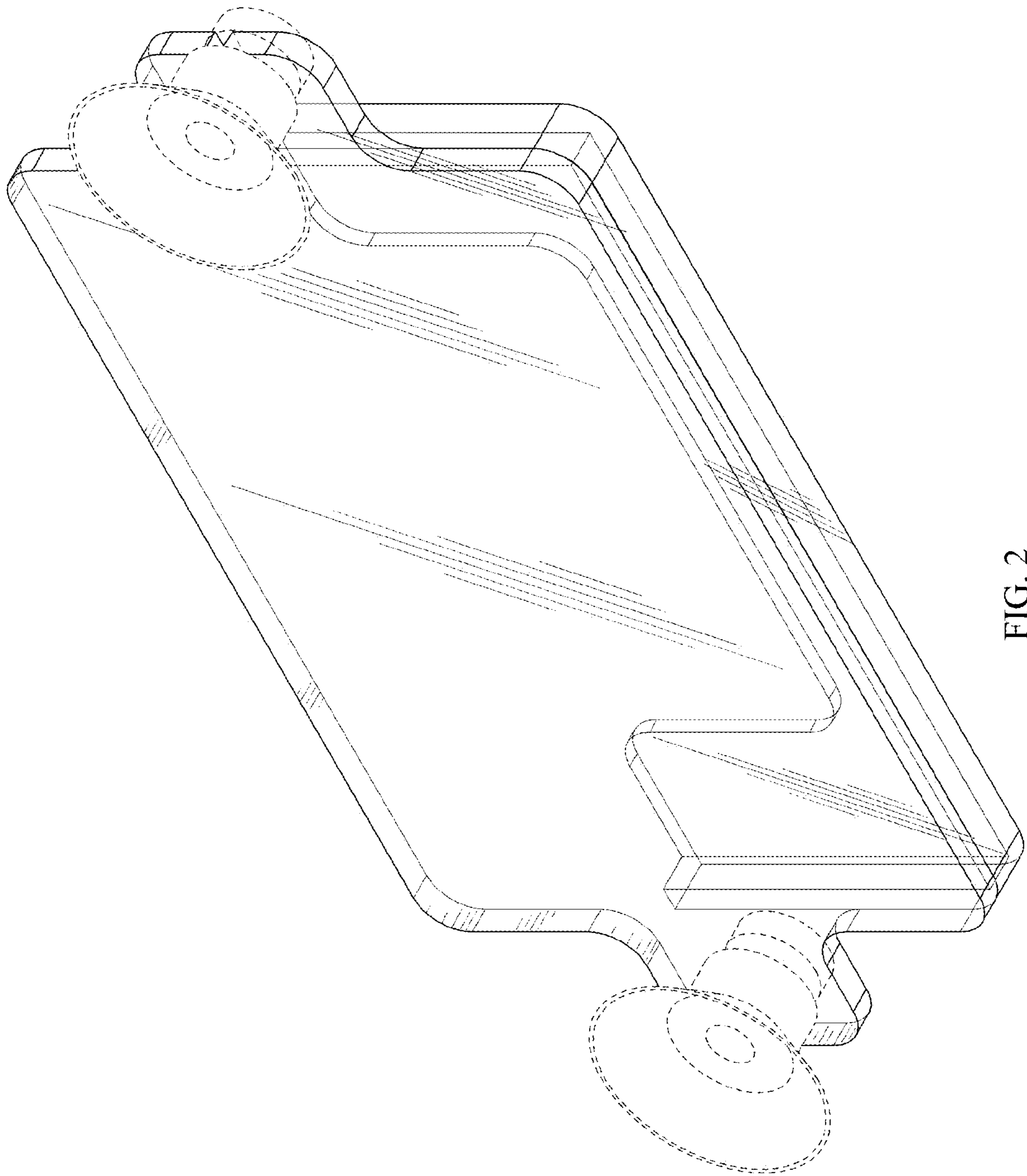


FIG. 2

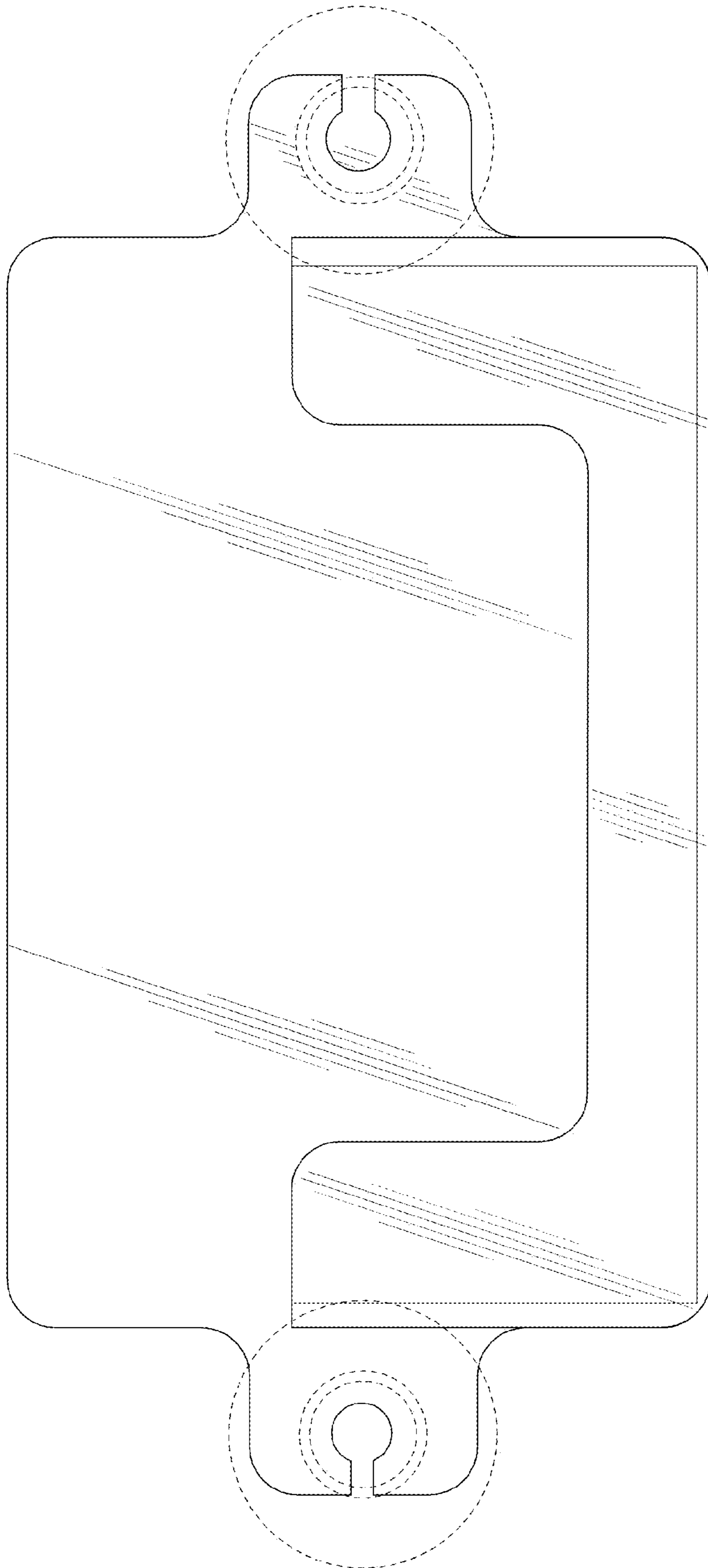


FIG. 3

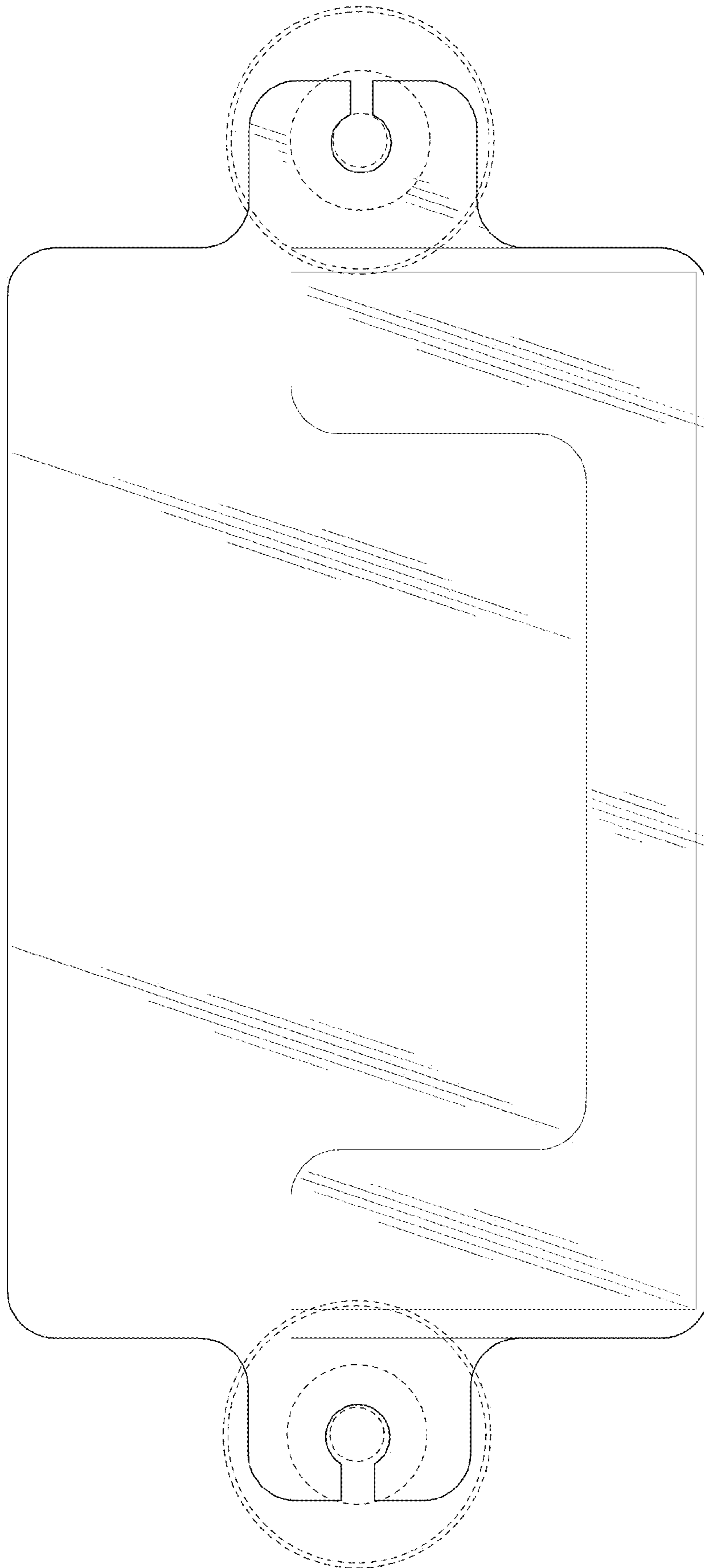


FIG. 4

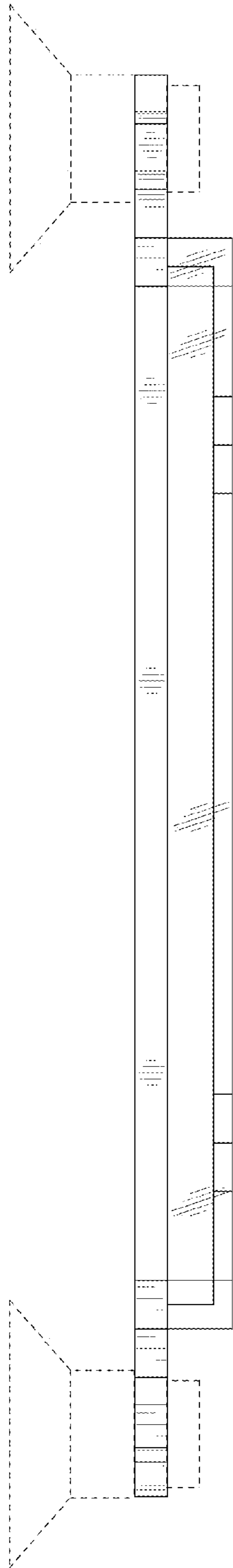


FIG. 5

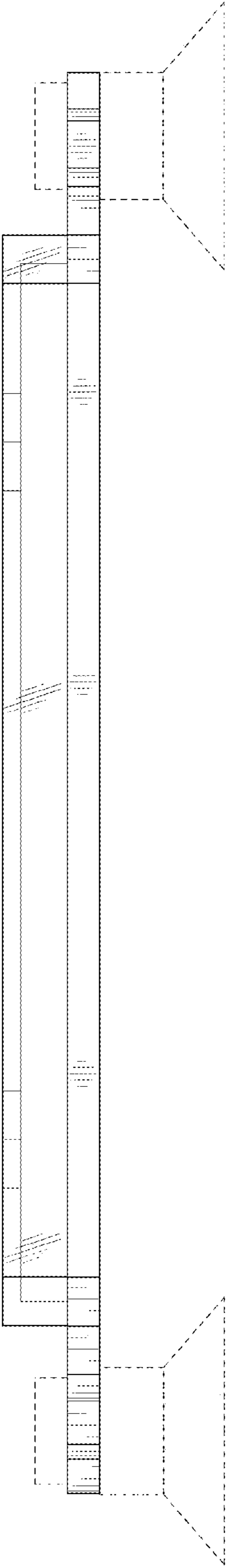


FIG. 6

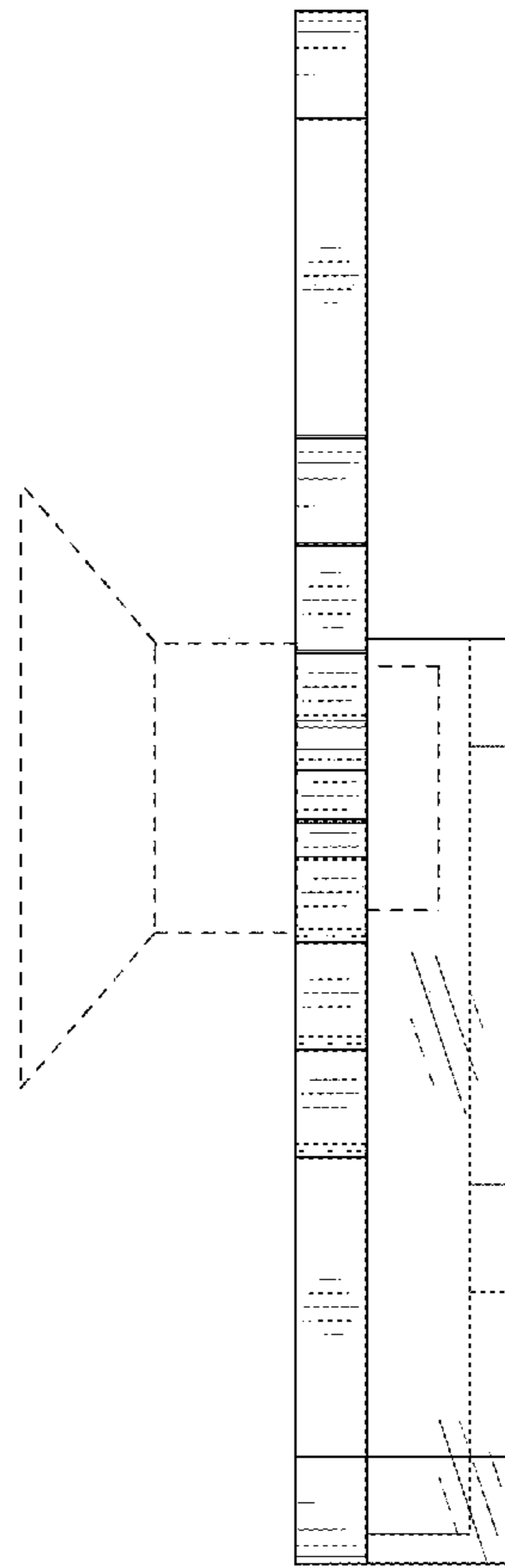


FIG. 7

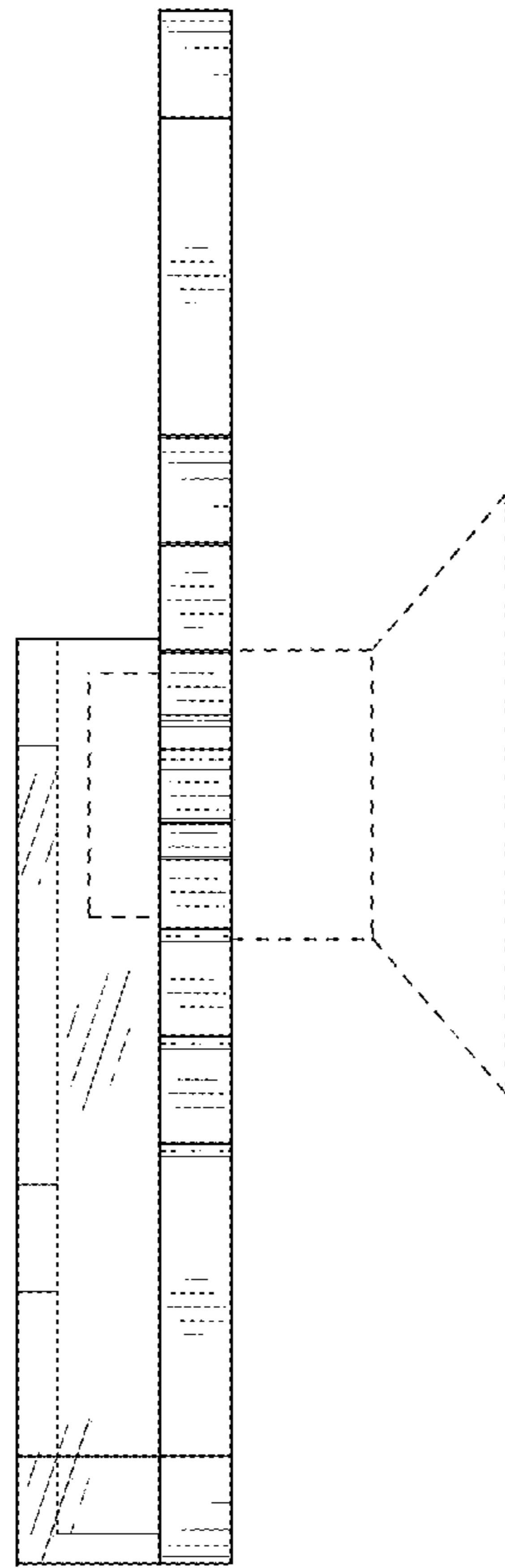


FIG. 8