



US00D993878S

(12) **United States Design Patent**
Gonzales

(10) **Patent No.:** **US D993,878 S**

(45) **Date of Patent:** **** Aug. 1, 2023**

(54) **TIRE SHIELD**

(71) Applicant: **Paul Gonzales**, Irving, TX (US)

(72) Inventor: **Paul Gonzales**, Irving, TX (US)

(**) Term: **15 Years**

(21) Appl. No.: **29/794,583**

(22) Filed: **Jun. 14, 2021**

(51) **LOC (14) Cl.** **12-16**

(52) **U.S. Cl.**
USPC **D12/213**

(58) **Field of Classification Search**
USPC D12/204–213; D21/563; D8/14, 45;
D32/49
CPC B60B 7/00; B60B 7/01; B60B 7/02; B60B
7/04; B60B 7/06; B60B 3/002; B60B
3/004; B60B 3/02; B60B 3/04; B60B
3/06; B60B 3/10
See application file for complete search history.

(56) **References Cited**

U.S. PATENT DOCUMENTS

D248,725 S *	8/1978	McClane	D32/49
4,574,731 A *	3/1986	Stevens	B05B 12/28 118/504
4,628,858 A	12/1986	Kin		
D305,635 S *	1/1990	Pope	D12/213
D377,162 S *	1/1997	Maynard	D12/213
D390,181 S *	2/1998	Morrison	D12/213
5,785,386 A	7/1998	Bradford		
5,979,994 A	11/1999	Harmon		

D477,802 S *	7/2003	Williams	D12/213
D479,179 S *	9/2003	Lian	D12/213
D515,005 S *	2/2006	Oatis	D12/213
D516,494 S *	3/2006	Apodaca	D12/213
D534,853 S *	1/2007	Apodaca	D12/213
D560,153 S *	1/2008	Zane	D12/213
D593,479 S	6/2009	David		
D796,412 S *	9/2017	Aker, Jr.	D12/213
D871,304 S *	12/2019	Pritchard	D12/213
2007/0222277 A1	9/2007	Israel		
2017/0057281 A1	3/2017	Hutchens		
2018/0201057 A1	7/2018	Xu		

FOREIGN PATENT DOCUMENTS

WO WO2013019802 2/2013

* cited by examiner

Primary Examiner — Cary M Robinson

Assistant Examiner — Adam C Mager

(57) **CLAIM**

The ornamental design for a tire shield, as shown and described.

DESCRIPTION

FIG. 1 is a front view of a tire shield showing my new design;

FIG. 2 is a rear view of the tire shield;

FIG. 3 is a right side view of the tire shield;

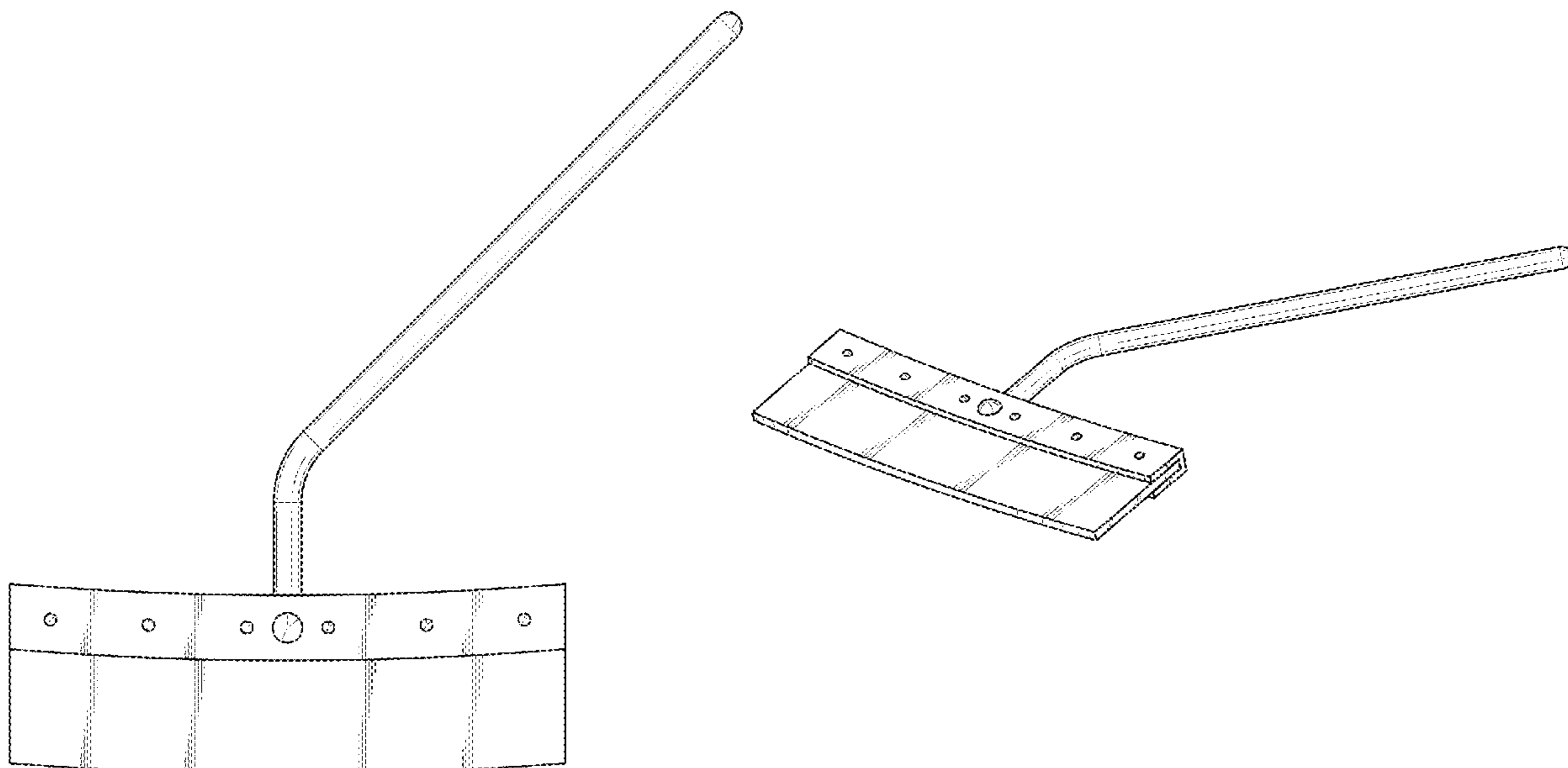
FIG. 4 is a left side view of the tire shield;

FIG. 5 is a top view of the tire shield;

FIG. 6 is a bottom view of the tire shield; and,

FIG. 7 is a top front side perspective view of the tire shield.

1 Claim, 7 Drawing Sheets



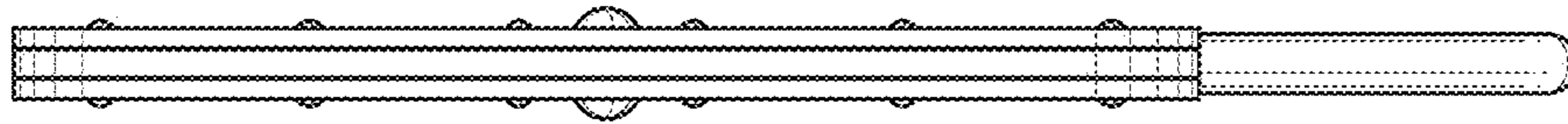


FIG. 1

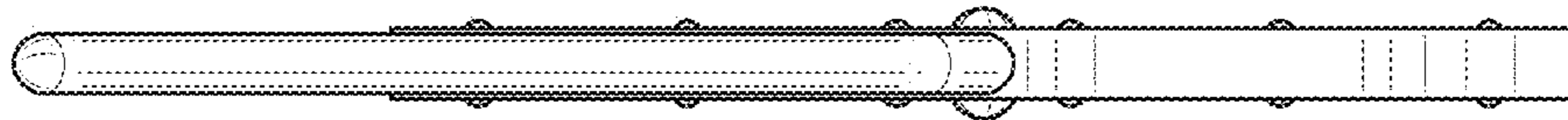


FIG. 2

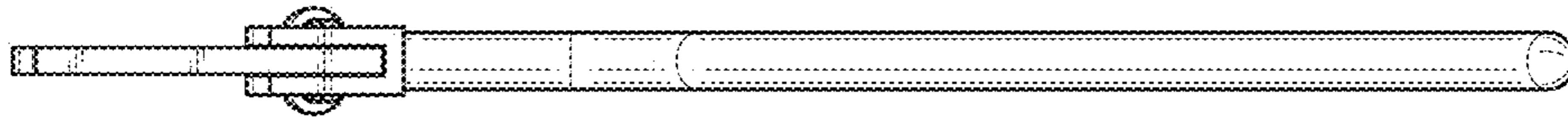


FIG. 3

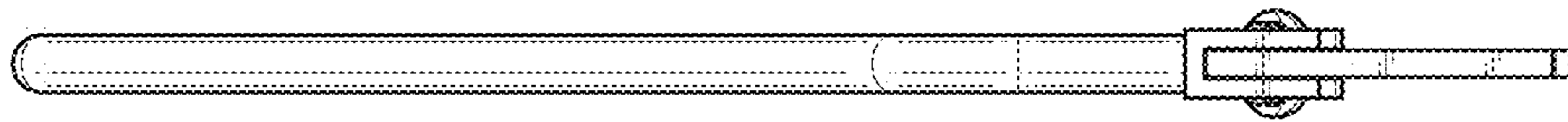


FIG. 4

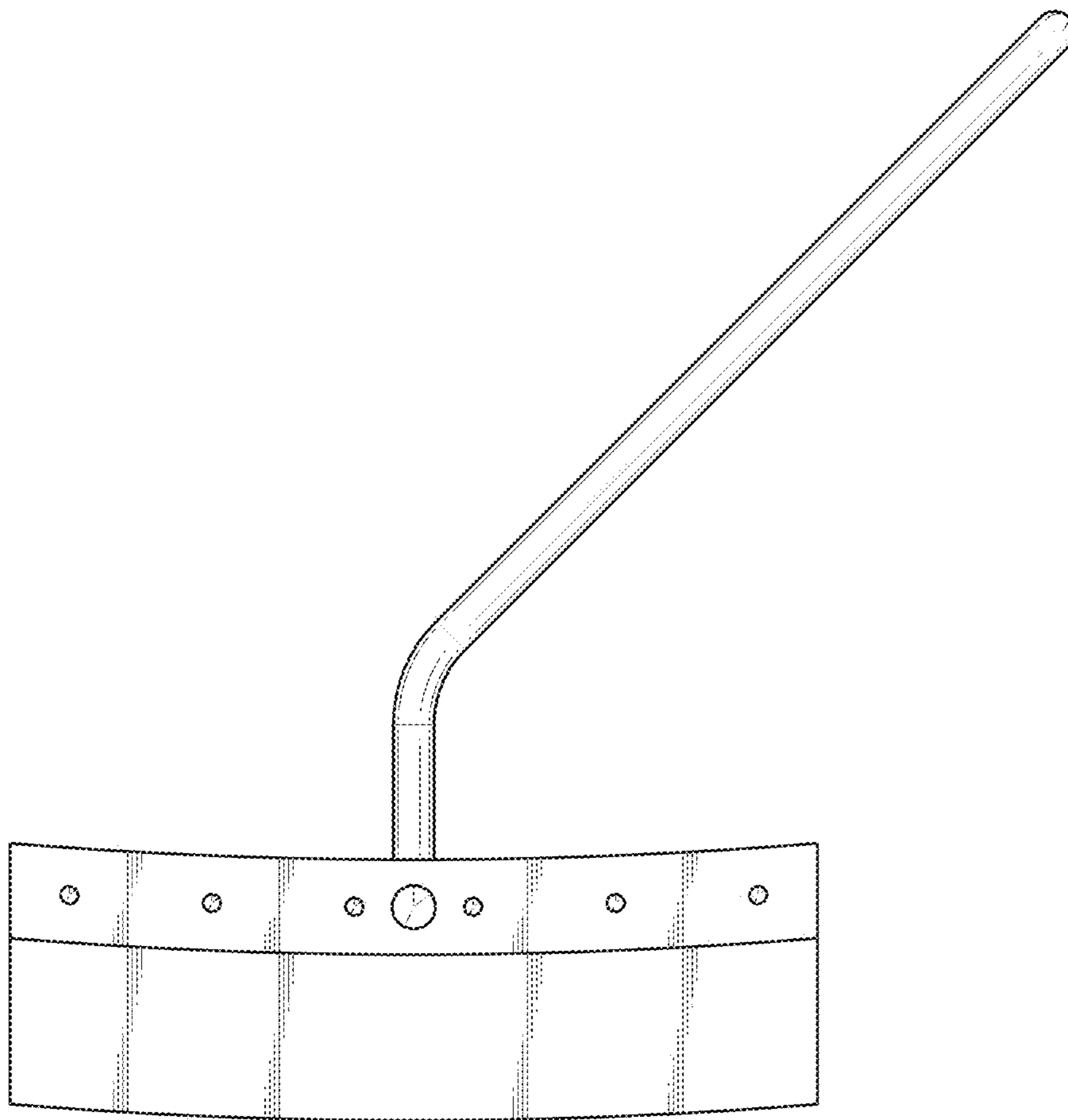


FIG. 5

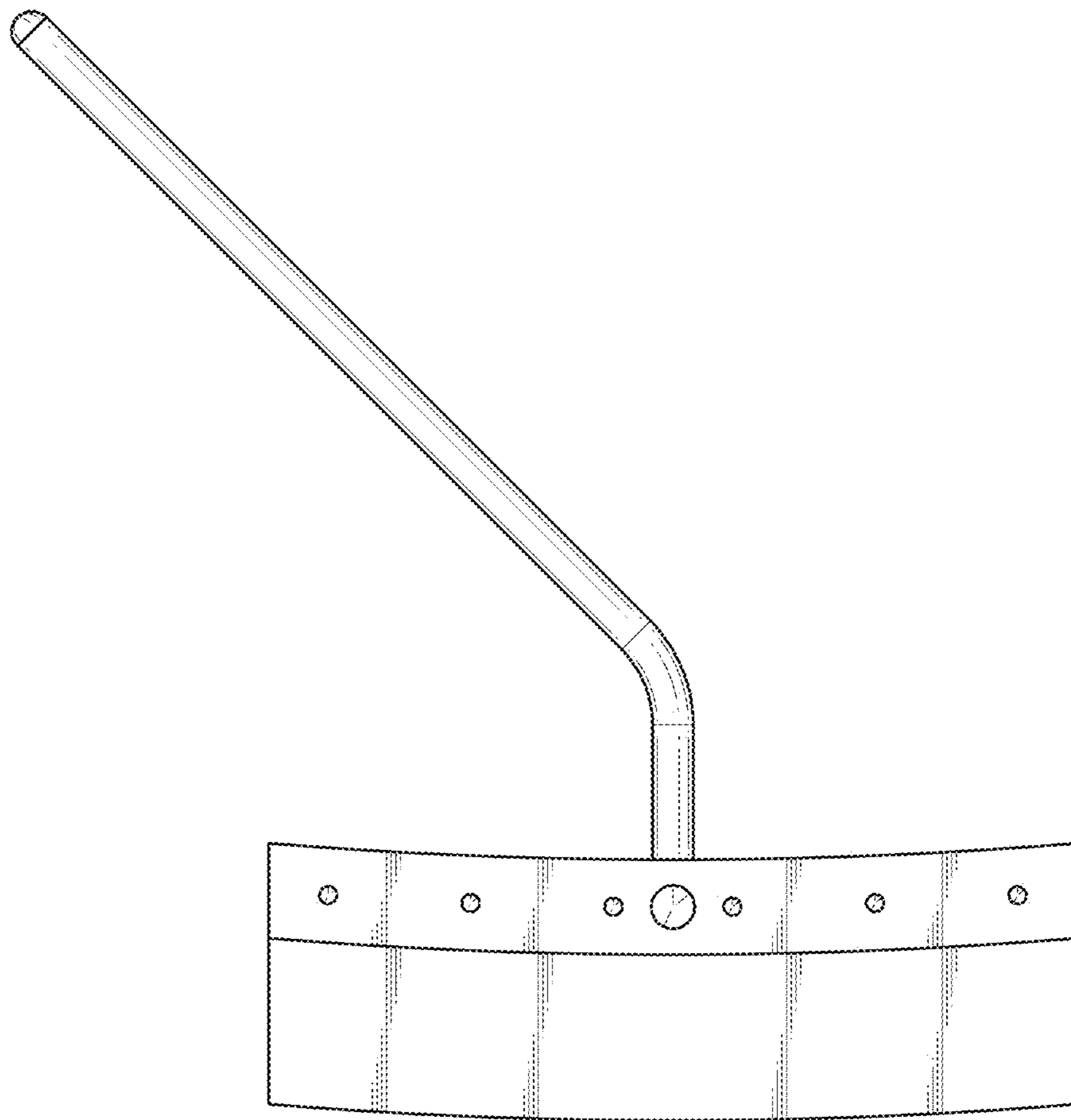


FIG. 6

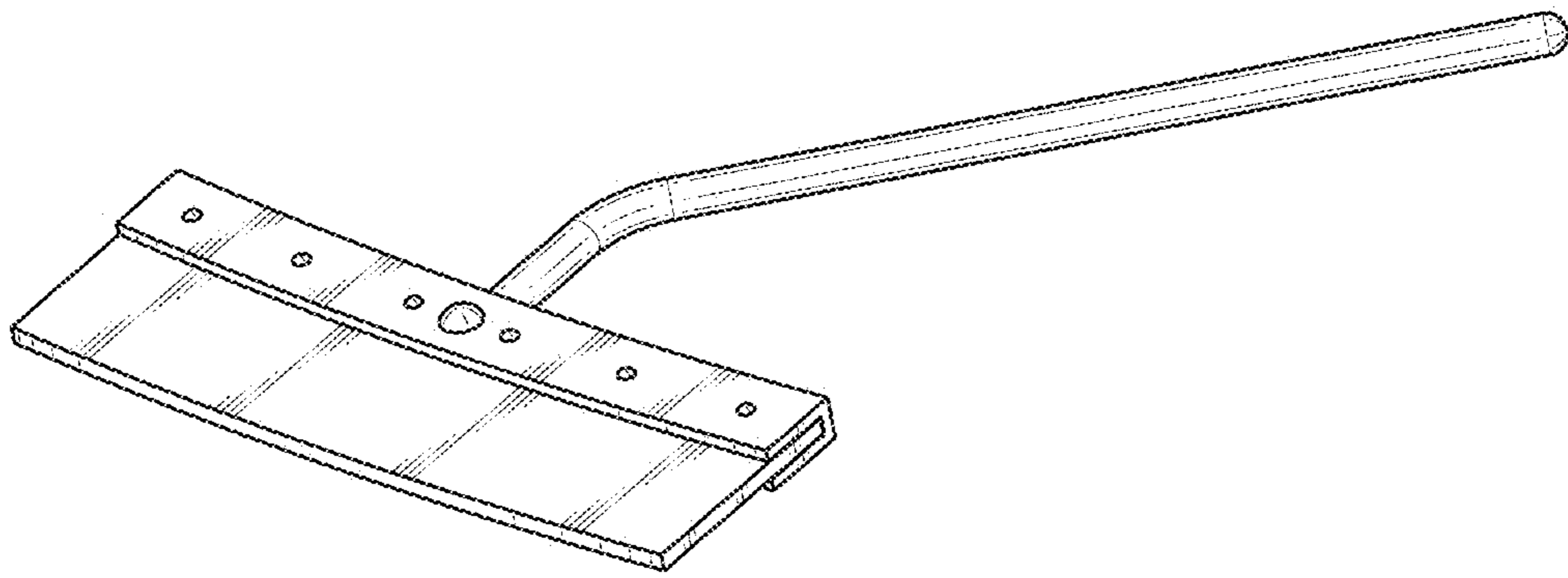


FIG. 7