



US00D993436S

(12) **United States Design Patent** (10) **Patent No.:** **US D993,436 S**
Gong (45) **Date of Patent:** **** Jul. 25, 2023**

(54) **HANDHELD SKIN CLEANSING DEVICE**

9,550,052 B2 1/2017 Ignon et al.
9,566,088 B2 2/2017 Ignon et al.
9,642,997 B2 5/2017 Ignon et al.

(71) Applicant: **BEAUTY BIOSCIENCES LLC**,
Dallas, TX (US)

(Continued)

(72) Inventor: **Maoxiang Gong**, Shenzhen (CN)

FOREIGN PATENT DOCUMENTS

(73) Assignee: **BEAUTY BIOSCIENCES LLC**,
Dallas, TX (US)

AU 2003224648 A8 7/2009
CN 2776379 Y 5/2006

(Continued)

(**) Term: **15 Years**

OTHER PUBLICATIONS

(21) Appl. No.: **29/822,809**

Youtube, "BeautyBio: New GLOfacial Pore Cleansing Tool", Published date: Aug. 23, 2022. <https://www.youtube.com/watch?v=wv3jo0yxyuU> (Year: 2022).*

(22) Filed: **Jan. 12, 2022**

(51) **LOC (14) Cl.** **24-01**

(Continued)

(52) **U.S. Cl.**

USPC **D24/214**

(58) **Field of Classification Search**

USPC D24/127, 130, 133, 141, 188, 200, 211,
D24/212, 213, 214, 215; D28/44, 56, 58,
D28/63; D4/100, 101; D10/57

CPC A61H 2201/105; A61H 2201/0153; A61H
15/0092; A61H 7/003; A61H 7/005;
A61H 23/06

See application file for complete search history.

Primary Examiner — Michael A Maharajh

(74) *Attorney, Agent, or Firm* — Greenberg Traurig, LLP;
Todd C. Basile

(57)

CLAIM

I claim the ornamental design for a handheld skin cleansing device, as shown and described.

(56)

References Cited

DESCRIPTION

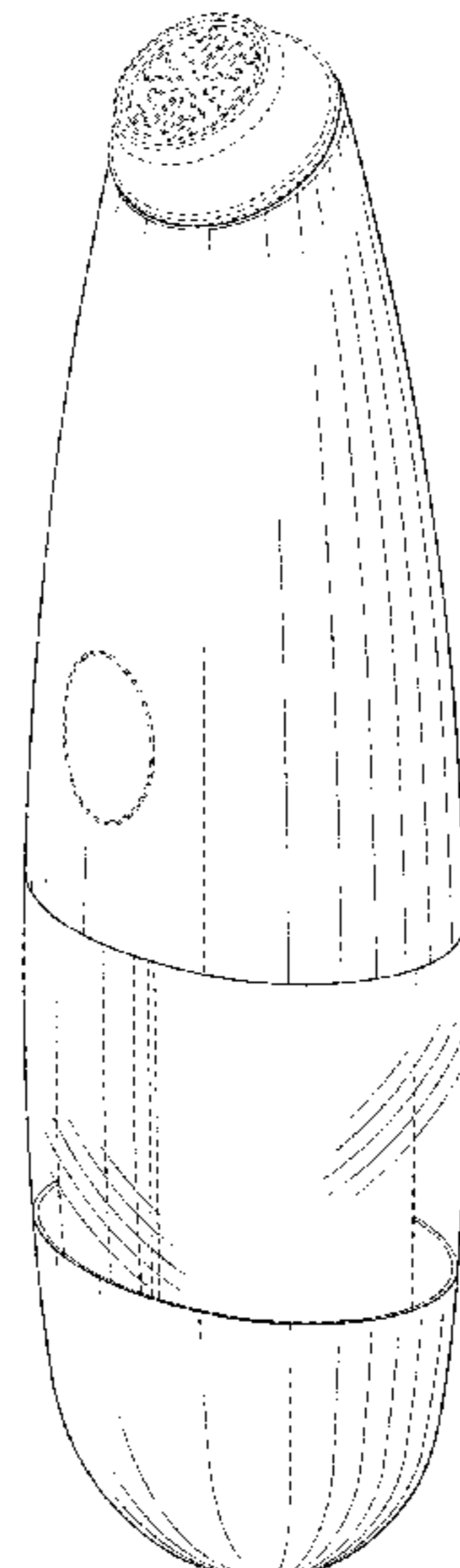
U.S. PATENT DOCUMENTS

6,942,649 B2 9/2005 Ignon et al.
D538,430 S * 3/2007 Ohta D24/146
7,431,718 B2 10/2008 Ikadai
D603,970 S * 11/2009 Ball D24/209
8,048,089 B2 11/2011 Ignon et al.
D652,919 S * 1/2012 Sherwood D24/133
8,343,116 B2 1/2013 Ignon et al.
8,620,421 B2 12/2013 Yeo
8,814,836 B2 8/2014 Ignon et al.
9,056,193 B2 6/2015 Ignon et al.
D759,261 S * 6/2016 Son D24/215
9,474,886 B2 10/2016 Ignon et al.
9,486,615 B2 11/2016 Ignon et al.

FIG. 1 is a perspective view of a handheld skin cleansing device showing my new design;
FIG. 2 is a front view thereof;
FIG. 3 is a rear view thereof;
FIG. 4 is a right side view thereof;
FIG. 5 is a left side view thereof;
FIG. 6 is a top view thereof; and,
FIG. 7 is a bottom view thereof.

The broken lines shown in the drawings are for the purpose of illustrating portions of the handheld skin cleansing device, which form no part of the claimed design.

1 Claim, 4 Drawing Sheets



(56)

References Cited

U.S. PATENT DOCUMENTS

9,662,482 B2 5/2017 Ignon et al.
 9,814,868 B2 11/2017 Ignon et al.
 9,950,147 B2 4/2018 Mehta
 D827,842 S * 9/2018 Bainton D24/200
 D827,843 S * 9/2018 Bainton D24/200
 D829,921 S * 10/2018 Xiong D24/214
 10,172,644 B2 1/2019 Ignon et al.
 10,251,675 B2 4/2019 Ignon et al.
 10,357,641 B2 7/2019 Ignon et al.
 10,357,642 B2 7/2019 Ignon et al.
 D860,470 S * 9/2019 Li D24/214
 10,556,096 B2 2/2020 Ignon et al.
 10,556,097 B2 2/2020 Ignon et al.
 D905,259 S * 12/2020 Wang D24/214
 D906,530 S * 12/2020 Liu D24/214
 10,993,743 B2 5/2021 Ignon et al.
 11,020,577 B2 6/2021 Ignon et al.
 D924,081 S * 7/2021 Li D10/57
 D925,752 S * 7/2021 Wang D24/214
 D926,332 S * 7/2021 Wang D24/214
 D942,029 S * 1/2022 Wang D24/214
 D942,030 S * 1/2022 Wang D24/214
 D954,352 S * 6/2022 Lu D28/58
 D964,581 S * 9/2022 Guo D24/214
 D982,164 S * 3/2023 He D24/214
 D983,385 S * 4/2023 Barak D24/200
 D983,386 S * 4/2023 Barak D24/209
 D983,982 S * 4/2023 Barak D24/200
 2017/0196754 A1 7/2017 Thiebaut
 2019/0223914 A1 7/2019 Ignon et al.
 2019/0336740 A1 11/2019 Ignon et al.
 2020/0171288 A1 6/2020 Ignon et al.

2020/0171289 A1 6/2020 Ignon et al.
 2020/0179220 A1 6/2020 Jablow
 2020/0187986 A1 6/2020 Hsu
 2020/0222269 A1 7/2020 Rodan et al.
 2020/0316270 A1 10/2020 Dijkstra et al.
 2021/0145479 A1 5/2021 Ignon et al.
 2021/0145480 A1 5/2021 Ignon et al.
 2021/0145481 A1 5/2021 Ignon et al.
 2021/0154454 A1 5/2021 Ignon et al.
 2021/0154455 A1 5/2021 Ignon et al.
 2021/0177463 A1 6/2021 Ignon et al.

FOREIGN PATENT DOCUMENTS

CN 1281204 C 10/2006
 CN 106974809 A 7/2017
 CN 107157550 A 9/2017
 EP 1554949 B1 11/2008
 EP 2240099 B1 2/2018
 EP 2967633 B1 4/2018
 EP 3388006 B1 3/2020
 EP 3437575 B1 4/2021
 WO 2014/151104 A1 9/2014
 WO 2019/194353 A1 10/2019
 WO 2020/150459 A1 7/2020

OTHER PUBLICATIONS

Amazon, "GLOfacial Hydro-Infusion Deep Pore Cleansing", Earliest Review date: Nov. 15, 2022. (Year: 2022).*
 Beautybio, "Glofacial" Access Date: Apr. 25, 2023. <https://beautybio.com/products/glofacial> (Year: 2023).*

* cited by examiner

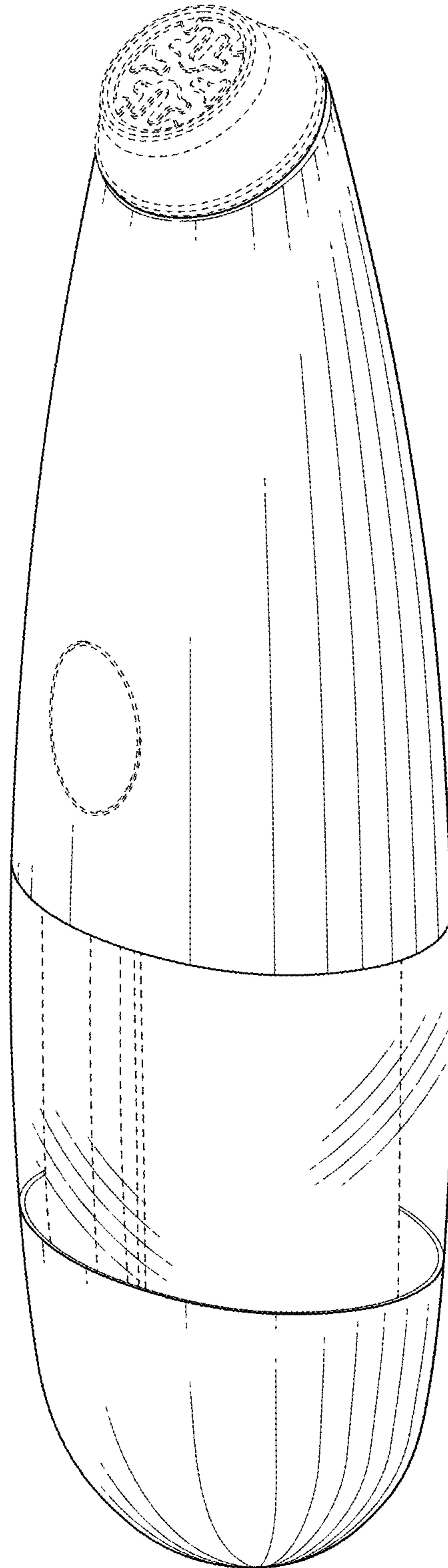


FIG. 1

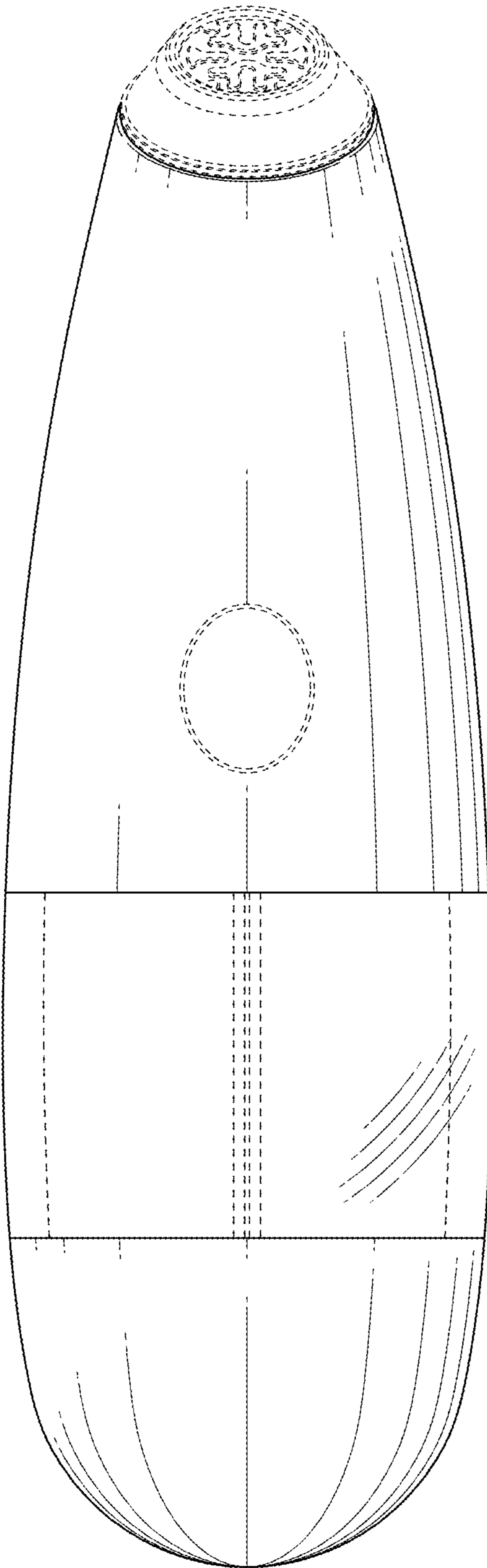


FIG. 2

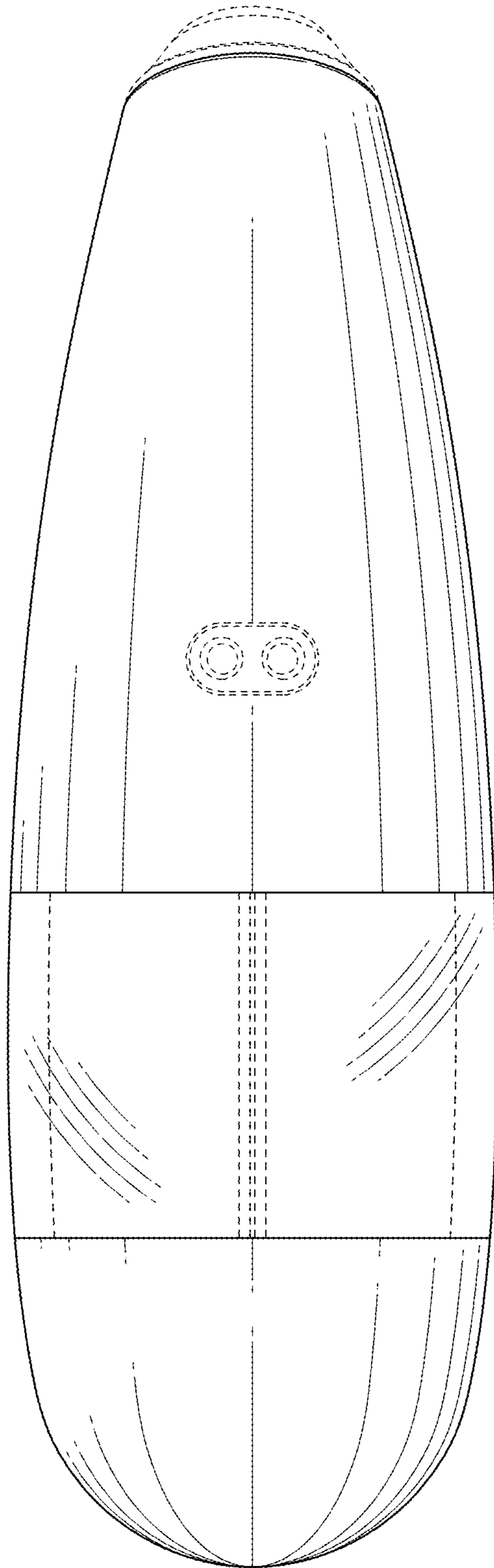


FIG. 3

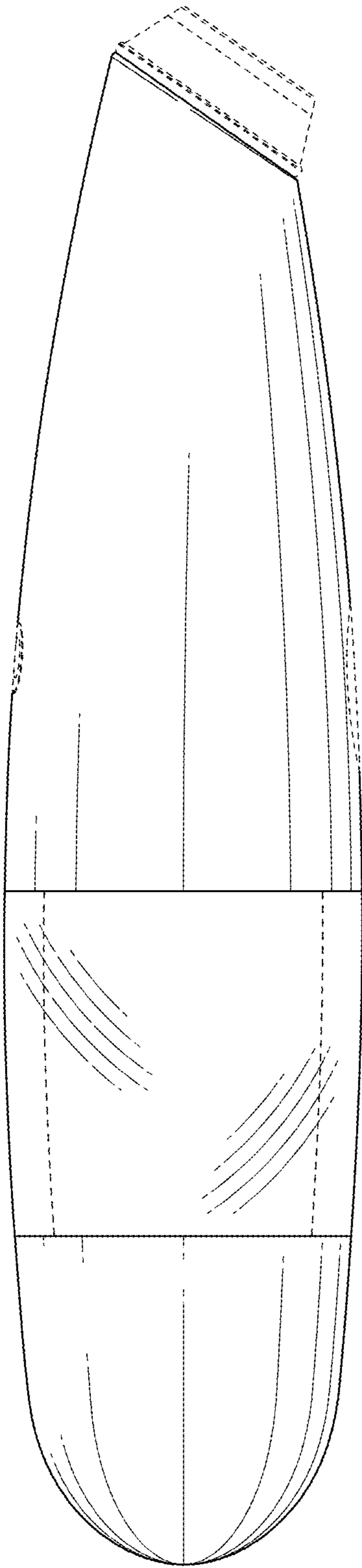


FIG. 4

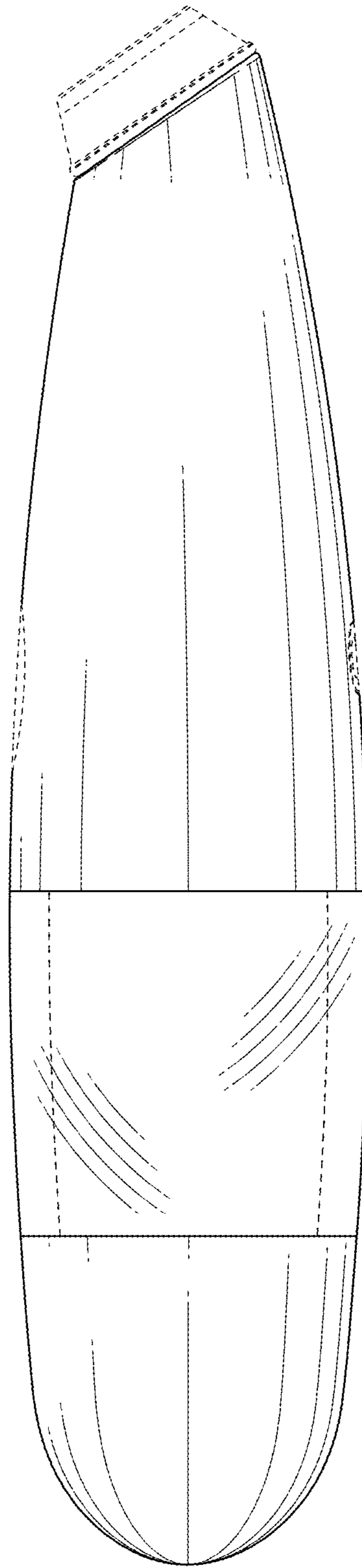


FIG. 5

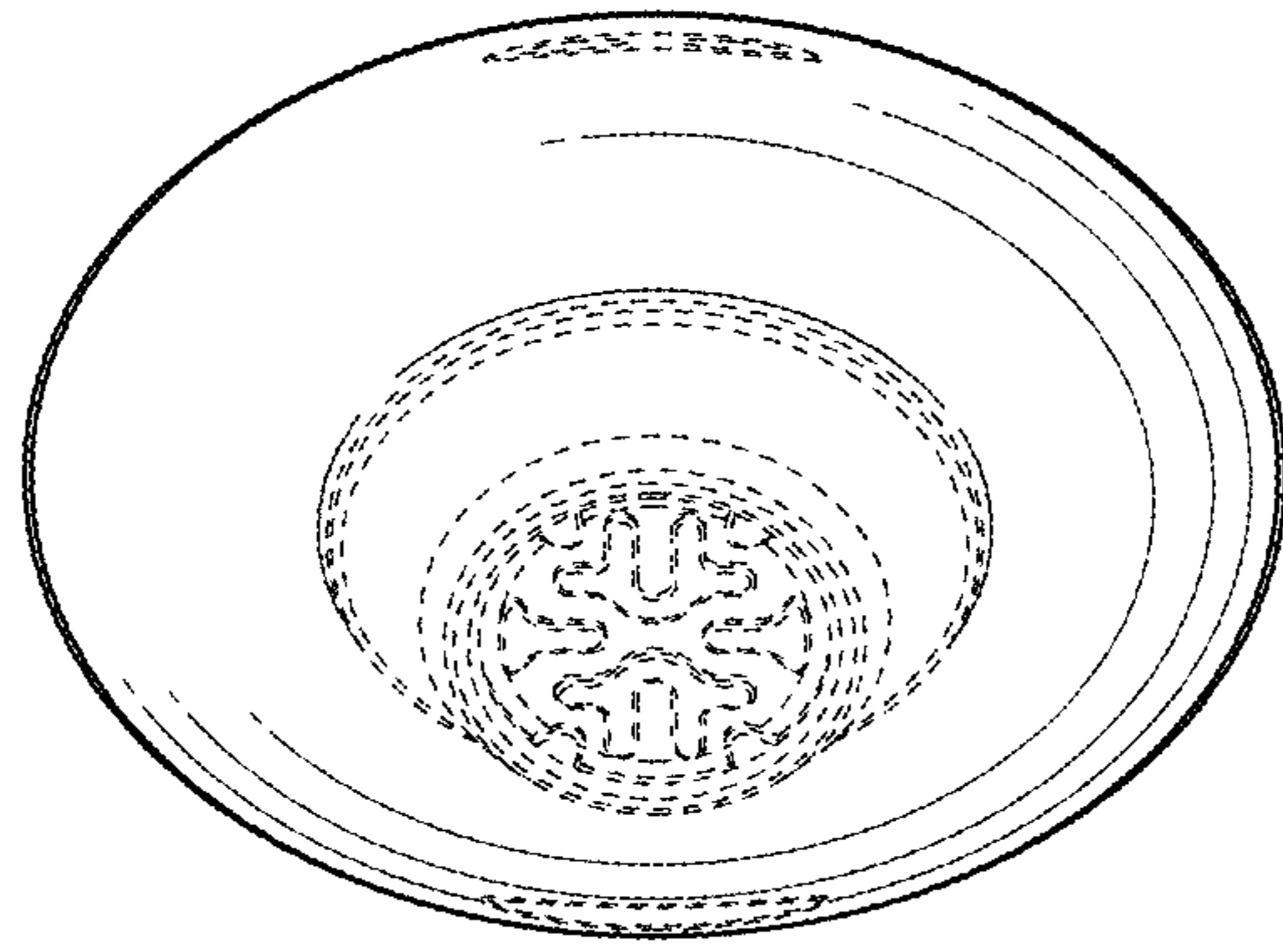


FIG. 6

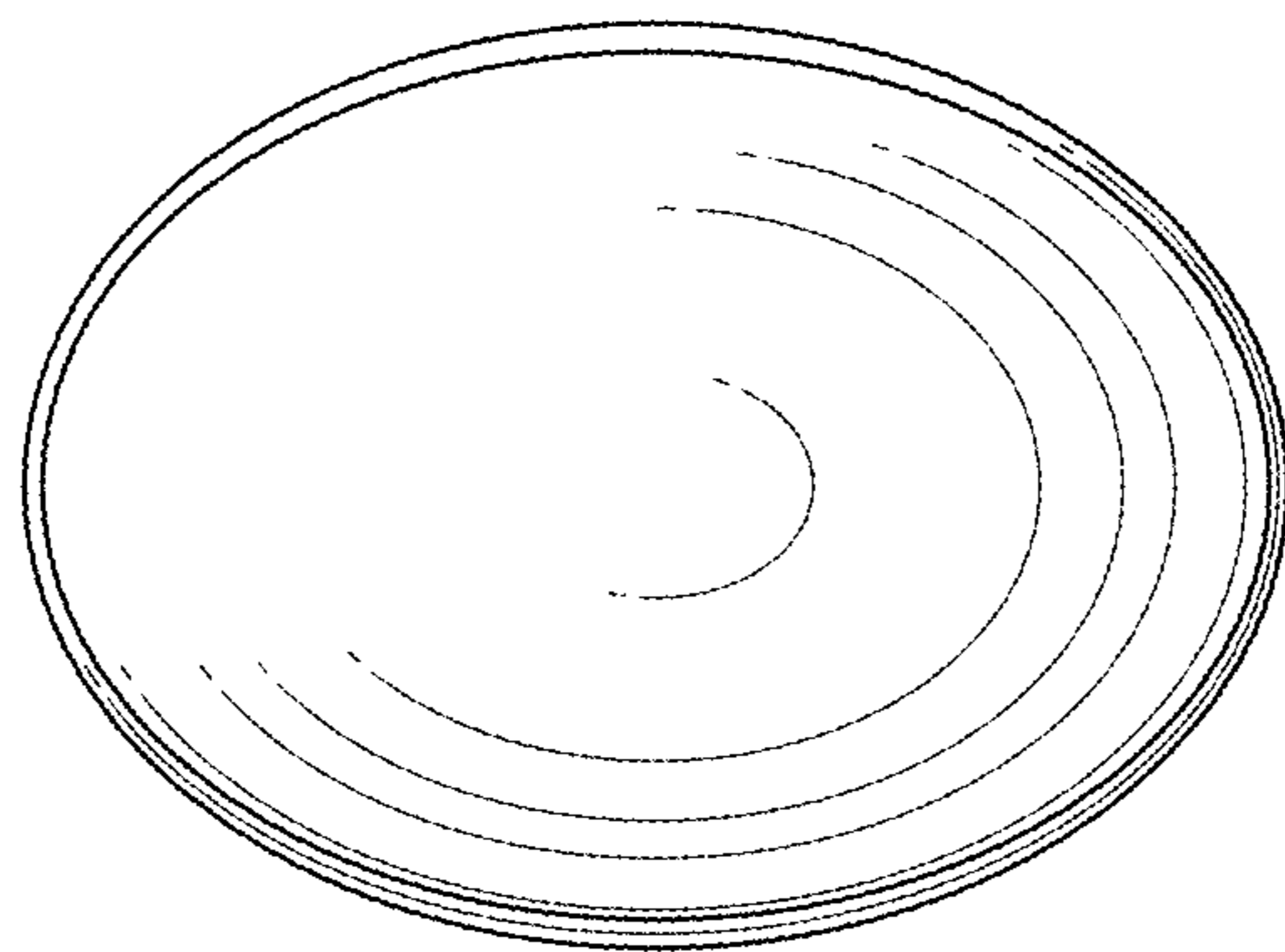


FIG. 7