



US00D993434S

(12) **United States Design Patent**  
**Banas**

(10) **Patent No.:** **US D993,434 S**  
(45) **Date of Patent:** **\*\* Jul. 25, 2023**

- (54) **SKIN CARE ROLLER**
- (71) Applicant: **Pamela Georgina Banas**, Maspeth, NY (US)
- (72) Inventor: **Pamela Georgina Banas**, Maspeth, NY (US)
- (\*\*) Term: **15 Years**
- (21) Appl. No.: **29/768,987**
- (22) Filed: **Feb. 2, 2021**
- (51) **LOC (14) Cl.** ..... **24-01**
- (52) **U.S. Cl.**  
USPC ..... **D24/211**
- (58) **Field of Classification Search**  
USPC ..... D24/133, 188, 200, 211, 212, 213, 214,  
D24/215; D4/122; D30/160; D28/57;  
D7/697  
CPC ..... A61H 15/0092; A61H 2015/0014; A61H  
15/0085; A61H 2201/0153; A61H  
2015/0042  
See application file for complete search history.

- D952,173 S \* 5/2022 Yu ..... D24/211
- D952,886 S \* 5/2022 Liao ..... D24/215
- D959,323 S \* 8/2022 Mitchell ..... D28/7
- D964,583 S \* 9/2022 Liao ..... D24/214

**OTHER PUBLICATIONS**

Amazon, "Zoremanam Jade Roller", May 15, 2022. [https://www.amazon.com/Zoremanam-Massage-Tools-Natural-Relieve-Wrinkles/dp/B0B14W8WQT/ref=sr\\_1\\_3?crd=1QSEC5ETCI0YL&keywords=Zoremanam%2BJade%2BRoller&qid=1671924157&s=hpc&sprefix=zoremanam%2Bjade%2Broller%2Chpc%2C73&sr=1-3&th=1](https://www.amazon.com/Zoremanam-Massage-Tools-Natural-Relieve-Wrinkles/dp/B0B14W8WQT/ref=sr_1_3?crd=1QSEC5ETCI0YL&keywords=Zoremanam%2BJade%2BRoller&qid=1671924157&s=hpc&sprefix=zoremanam%2Bjade%2Broller%2Chpc%2C73&sr=1-3&th=1) (Year: 2022).\*

Pai, Beanna, All the Jade Roller Benefits You've Heard Are True, Glamour, Jun. 24, 2020 <URL: <https://www.glamour.com/story/what-do-jade-rollers-do>>.

\* cited by examiner

*Primary Examiner* — Michael A Maharajh

(57) **CLAIM**

The ornamental design for a skin care roller, as shown and described.

(56) **References Cited**

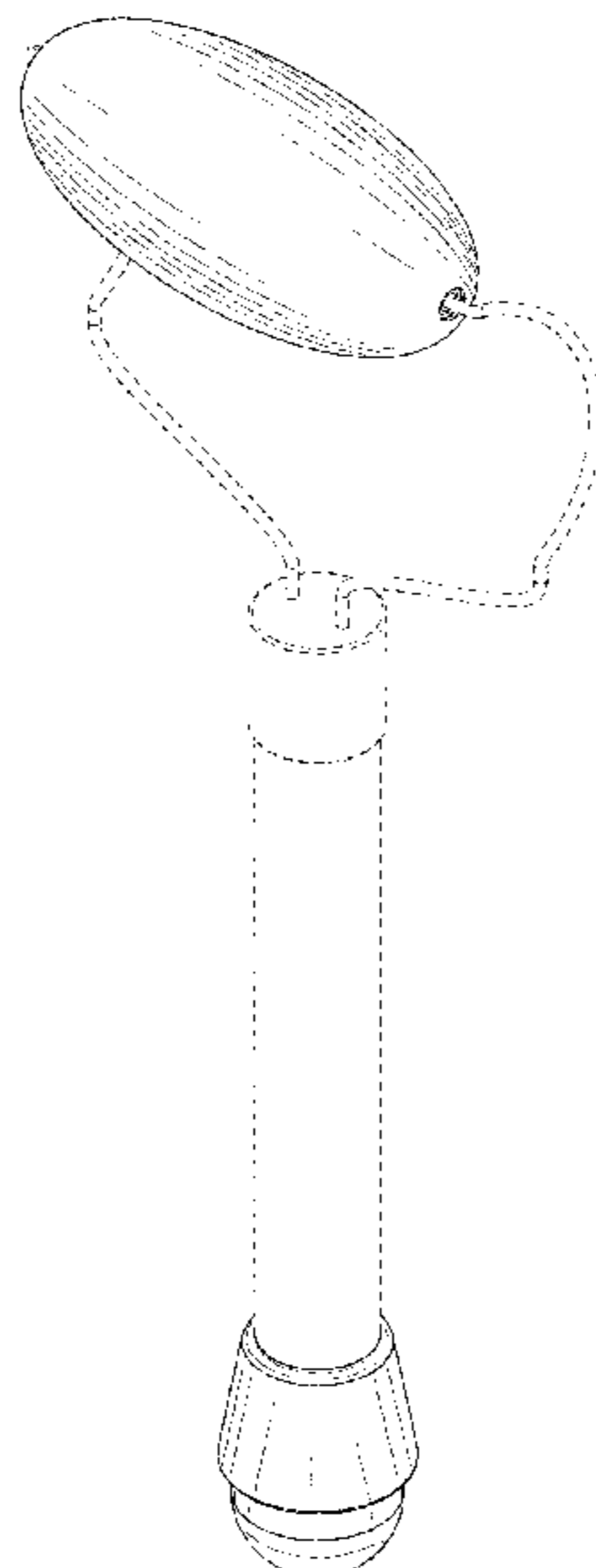
**U.S. PATENT DOCUMENTS**

- D385,060 S \* 10/1997 Burrell ..... D28/7
- 6,176,841 B1 \* 1/2001 Tso ..... A61H 15/0092  
601/129
- D459,639 S \* 7/2002 Hefti ..... D7/697
- D676,975 S \* 2/2013 Bickford ..... D24/211
- D677,391 S \* 3/2013 Bickford ..... D24/211
- D677,392 S \* 3/2013 Bickford ..... D24/211
- D678,540 S \* 3/2013 Bickford ..... D24/211
- D678,541 S \* 3/2013 Bickford ..... D24/211
- D678,542 S \* 3/2013 Bickford ..... D24/211
- D895,823 S \* 9/2020 Khubani ..... D24/211
- D905,262 S \* 12/2020 Khubani ..... D24/211
- D934,492 S \* 10/2021 Kennedy Zdanow ..... D28/4
- D949,360 S \* 4/2022 Lombardo ..... D24/211
- D949,362 S \* 4/2022 Zheng ..... D24/211

**DESCRIPTION**

FIG. 1 is a front-top-right view of a skin care roller showing my new design;  
FIG. 2 is a front elevational view thereof;  
FIG. 3 is a rear elevational view thereof;  
FIG. 4 is a left elevational view thereof;  
FIG. 5 is a right elevational view thereof;  
FIG. 6 is a top plan view thereof; and,  
FIG. 7 is a bottom plan view of a skin care roller.  
The broken lines in the drawings are for the purpose of illustrating portions of the skin care roller which form no part of the claimed design.

**1 Claim, 7 Drawing Sheets**



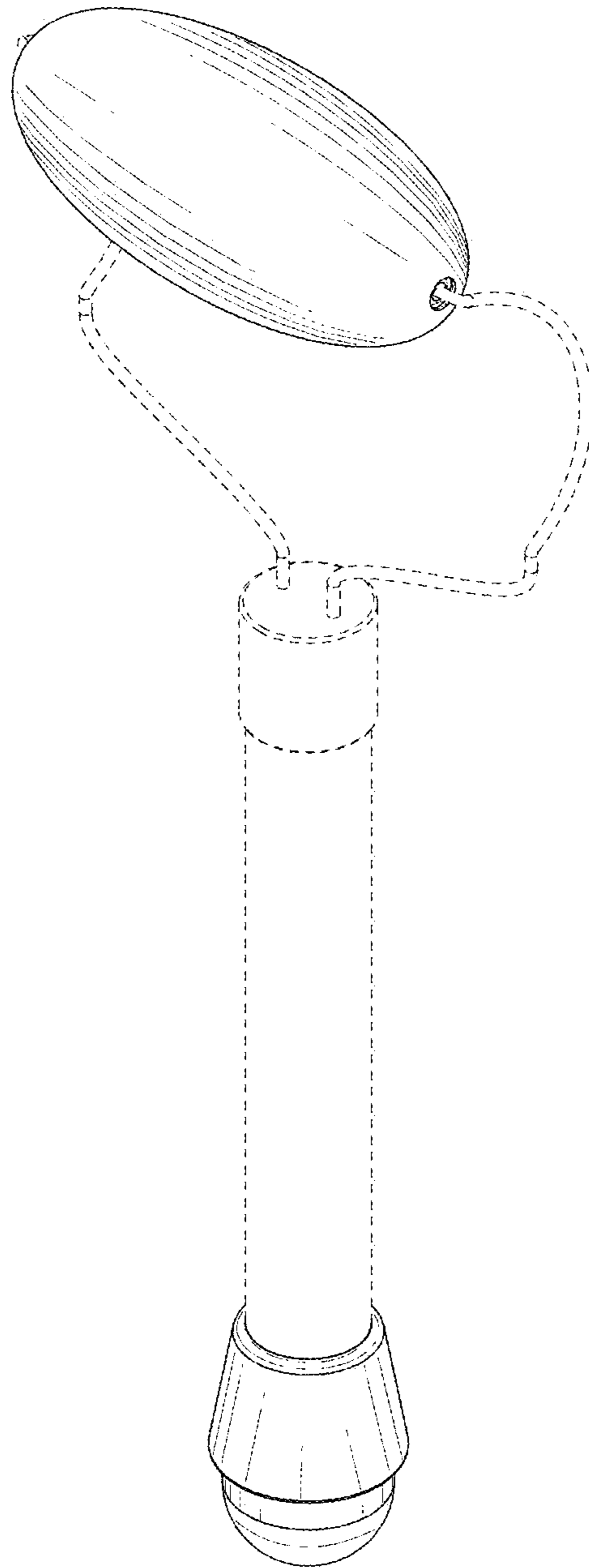


FIG. 1

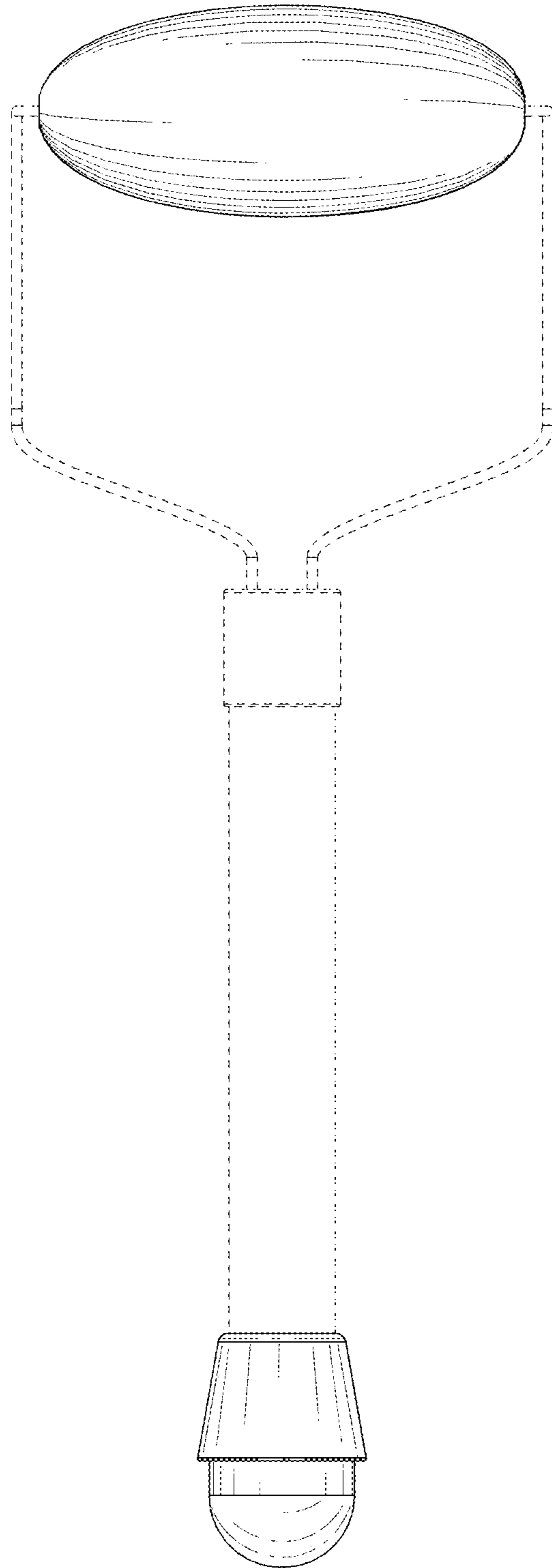


FIG. 2

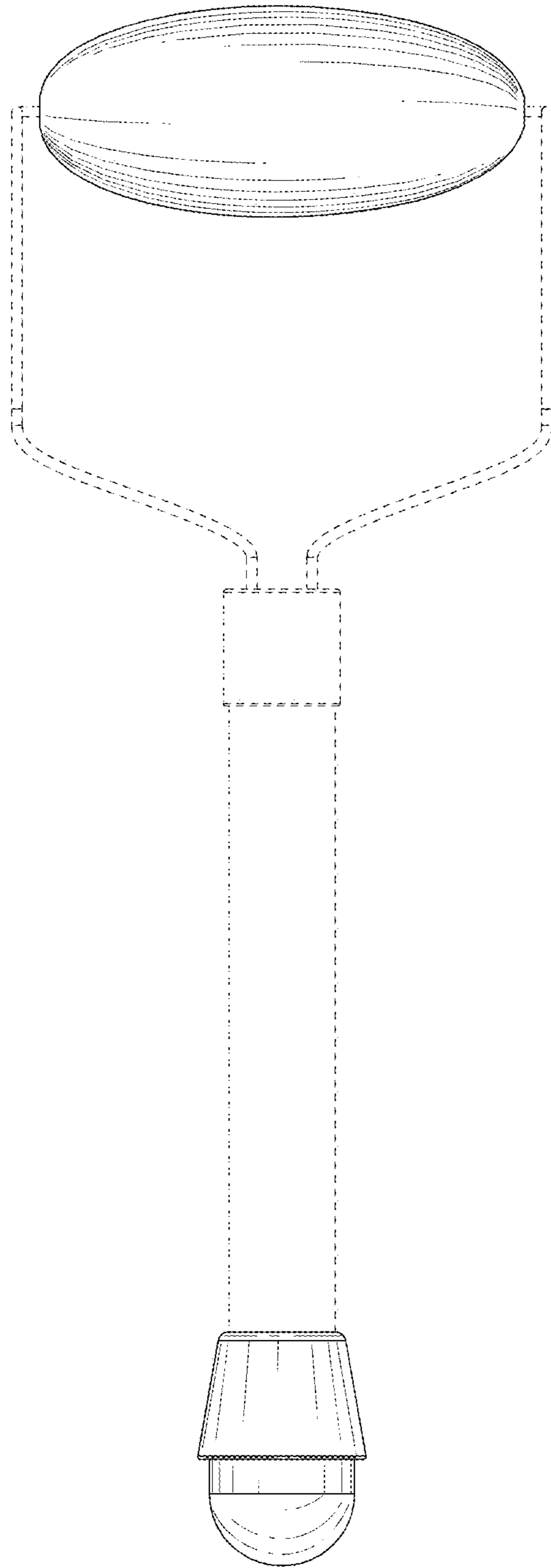


FIG. 3

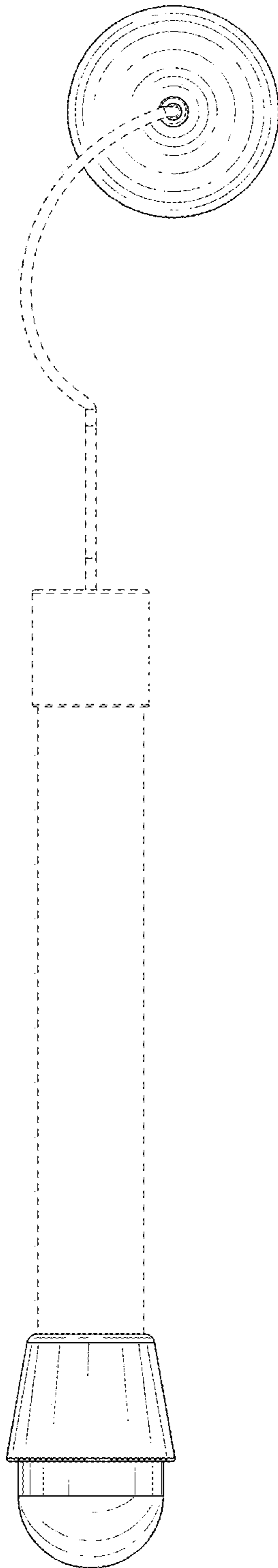


FIG. 4

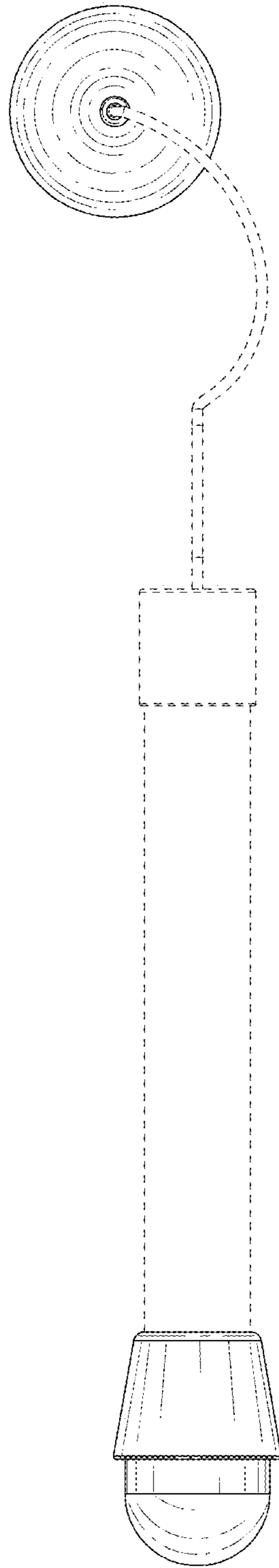


FIG. 5

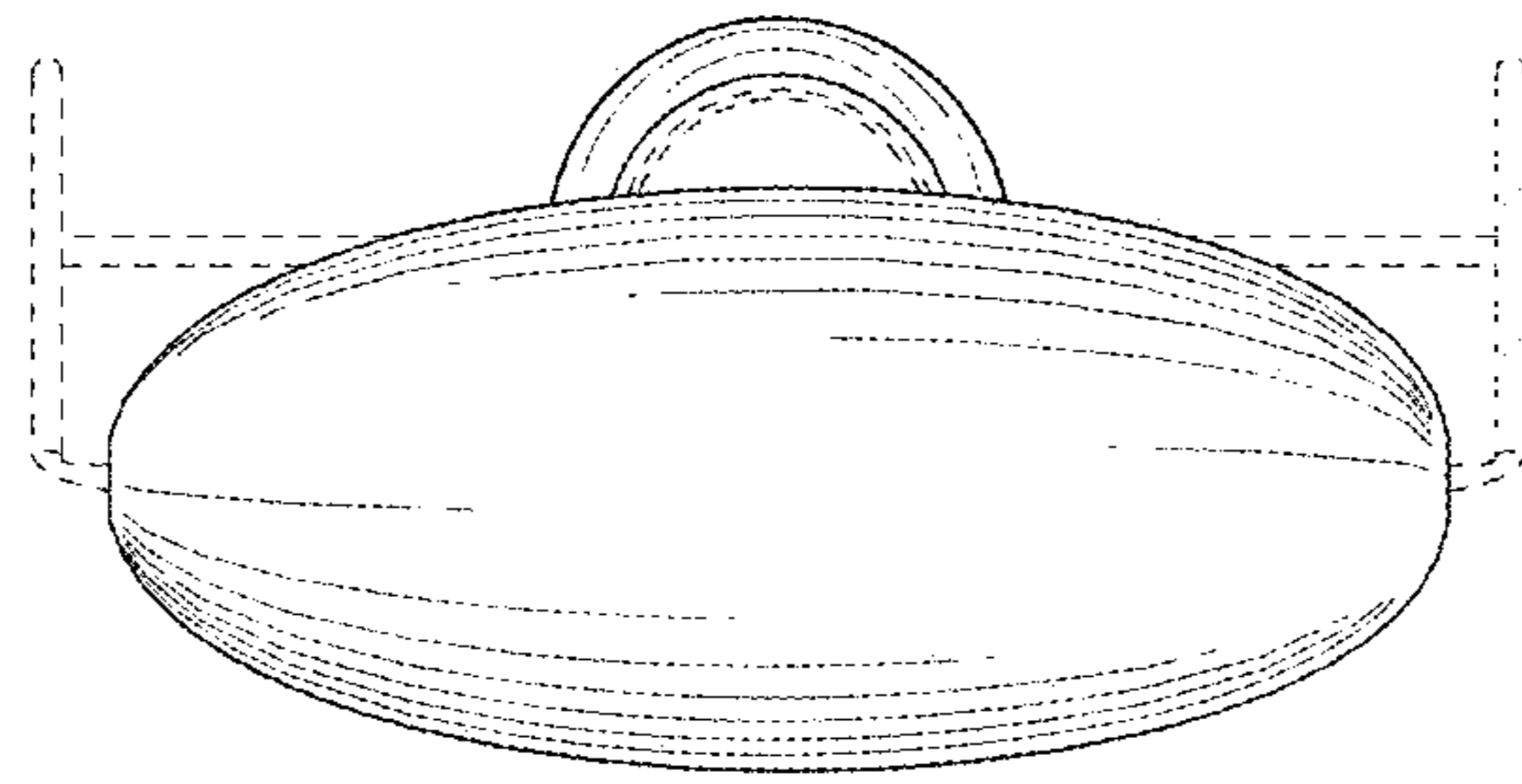


FIG. 6

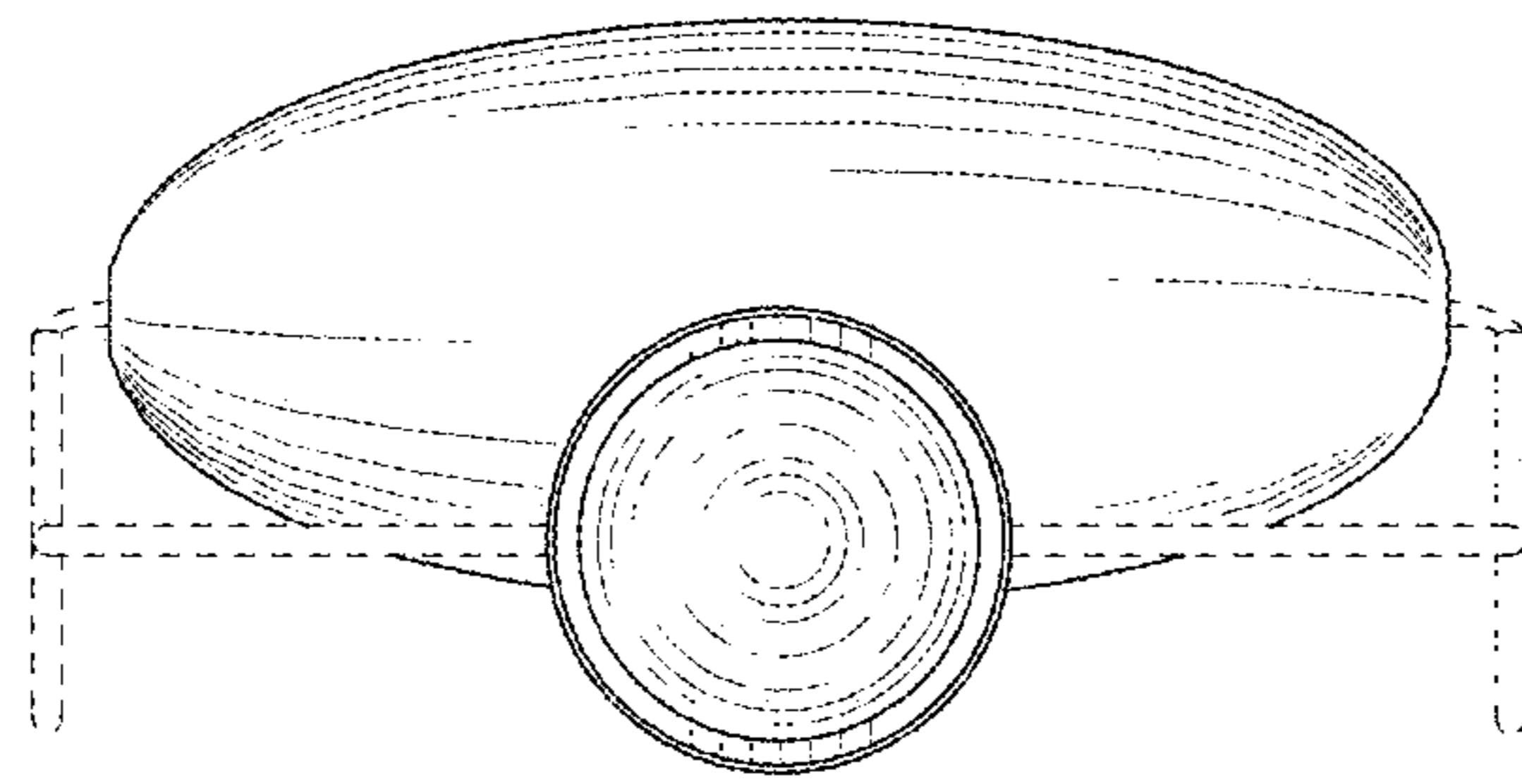


FIG. 7