



US00D993429S

(12) **United States Design Patent**
Karim

(10) **Patent No.:** **US D993,429 S**
(45) **Date of Patent:** **** Jul. 25, 2023**

- (54) **SKIN TONING DEVICE**
- (71) Applicant: **Covalent Group Inc.**, Lehi, UT (US)
- (72) Inventor: **Imran Karim**, Frisco, TX (US)
- (73) Assignee: **Covalent Group Inc.**, Lehi, UT (US)
- (*) Notice: Patent file contains an affidavit/declaration under 37 CFR 1.130(b).

D449,696 S *	10/2001	Sulik	D24/200
D740,692 S *	10/2015	Christie	D9/748
D917,710 S *	4/2021	Li	D24/200
D939,719 S *	12/2021	Liu	D24/200
D944,408 S *	2/2022	Zhang	D24/200
2020/0039096 A1 *	2/2020	Khubani	A47K 7/04

(**) Term: **15 Years**

FOREIGN PATENT DOCUMENTS

CN 202030223933.3 * 5/2020

(21) Appl. No.: **29/767,096**
(22) Filed: **Jan. 20, 2021**

OTHER PUBLICATIONS

Trophy Skin UltradermMD 3-in-1 Microdermabrasion Machine, first available Sep. 25, 2020, amazon.co.uk, [online], [site visited Apr. 21, 2022], Available from internet URL: <https://www.amazon.co.uk/Trophy-Skin-UltradermMD-Microdermabrasion-Machine/dp/B08K3R9DRH?th=1> (Year: 2020).*

(51) **LOC (14) Cl.** **24-01**
(52) **U.S. Cl.**
USPC **D24/200**

* cited by examiner

(58) **Field of Classification Search**
USPC D24/185-190, 200, 127, 130, 133,
D24/145-147, 155-156, 158, 183,
D24/206-208, 214-215, 231, 234;
D8/391, 387; D23/303, 318, 322;
D13/168; D14/218

Primary Examiner — Samantha Q Lawrence
Assistant Examiner — Holly M Rodriguez
(74) *Attorney, Agent, or Firm* — Winstead PC

CPC .. A61M 25/065; A61M 5/42; A61M 25/0612;
A61M 25/00; A61M 39/00; A61M 27/00;
A61M 25/0043; A61M 25/0067; A61M
25/0097; A61F 2/958; A61F 13/02; A61F
2013/00885; A61F 7/02; A61F 7/034;
A61F 7/00; A61F 2007/0094; A61F
2007/0087; A61F 2007/0089; A61N
1/36021; A61N 1/36; A61N 1/403; A61H
2201/02; A61H 2201/0207; A61H
2201/0221; A61H 15/0092; A61G
2201/02147

(57) **CLAIM**

The ornamental design for a skin toning device, as shown and described.

See application file for complete search history.

DESCRIPTION

FIG. 1 is a perspective view of a skin toning device in accordance with the design;
FIG. 2 is an additional perspective view thereof in use;
FIG. 3 is a front view thereof;
FIG. 4 is a back view thereof;
FIG. 5 is a left side view thereof;
FIG. 6 is a right side view thereof;
FIG. 7 is a top plan view thereof; and,
FIG. 8 is a bottom plan view thereof.
Any broken lines present in the drawings form no part of the claimed design.

(56) **References Cited**

U.S. PATENT DOCUMENTS

D360,036 S *	7/1995	Doria	D24/200
D442,284 S *	5/2001	Ferber	D24/200

1 Claim, 6 Drawing Sheets



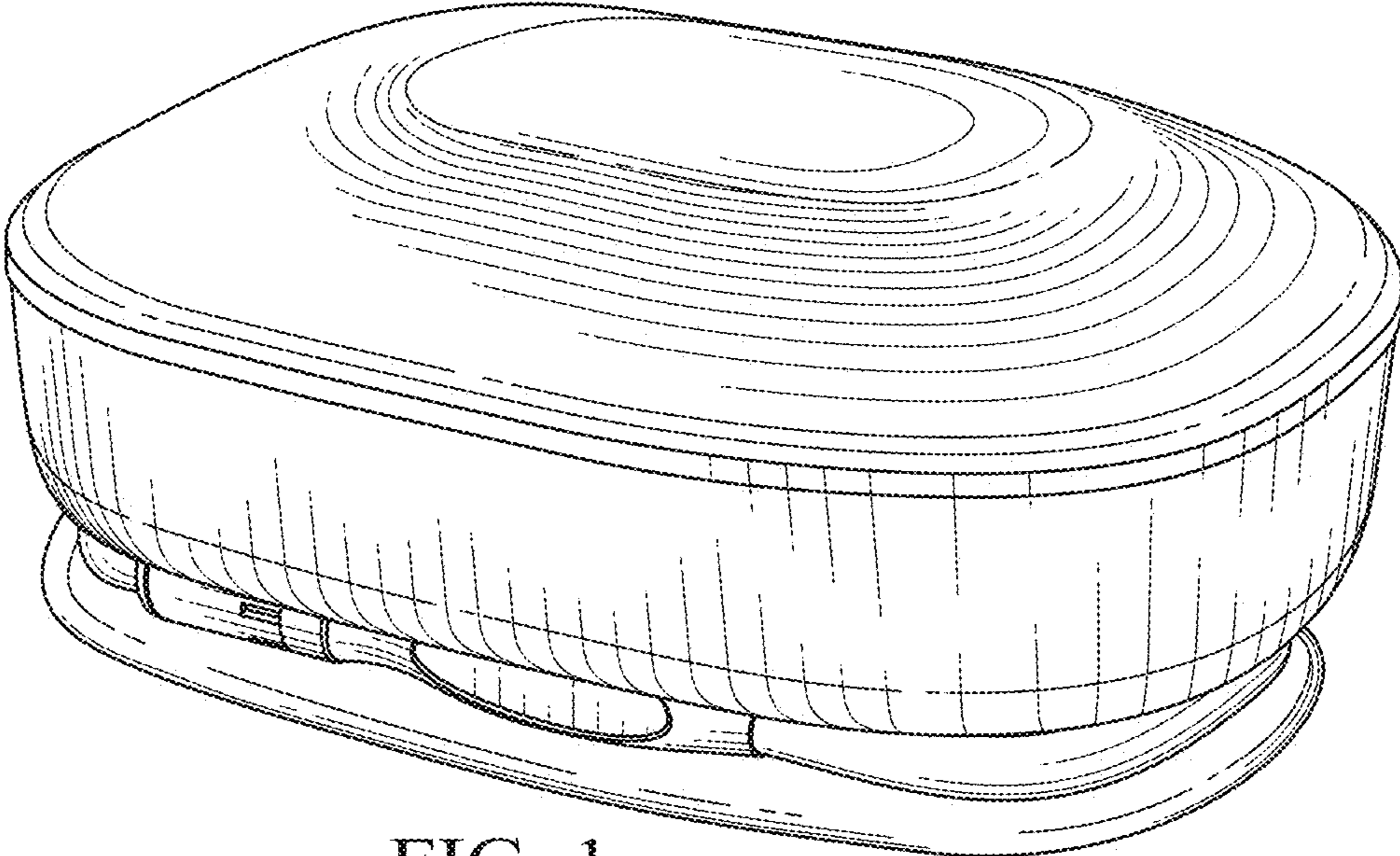


FIG. 1



FIG. 2

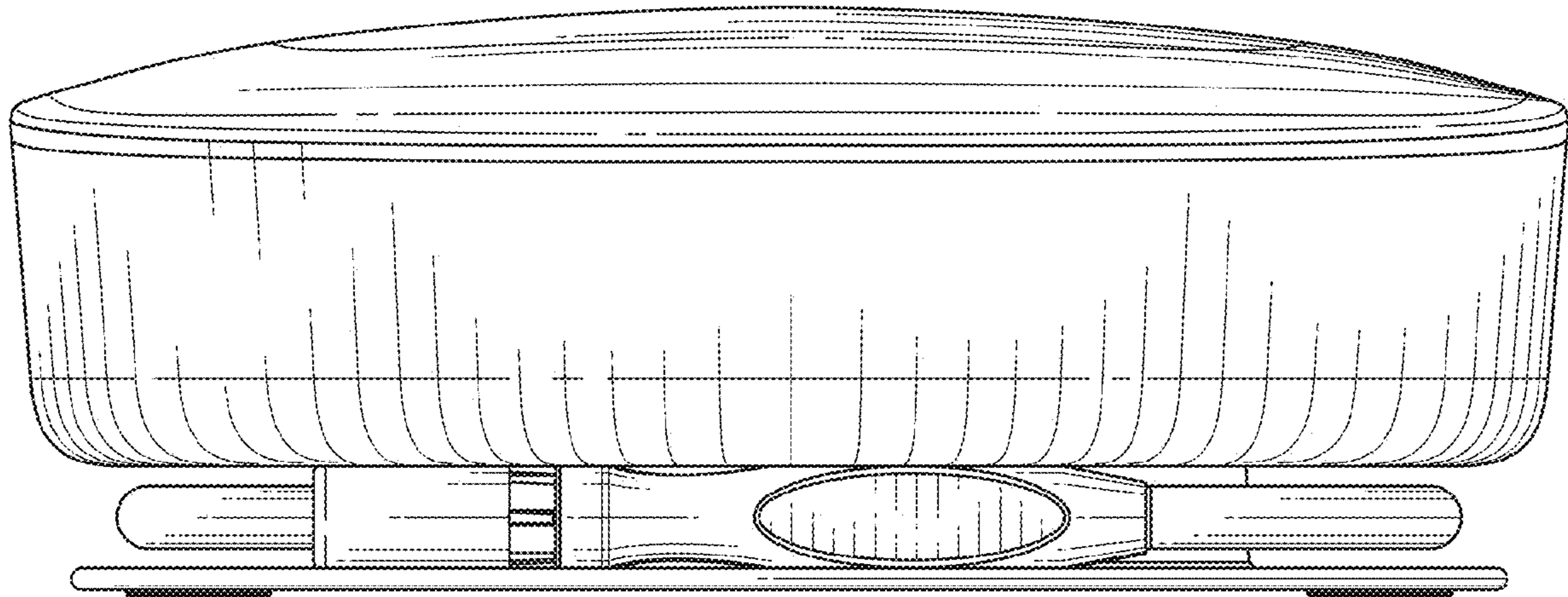


FIG. 3

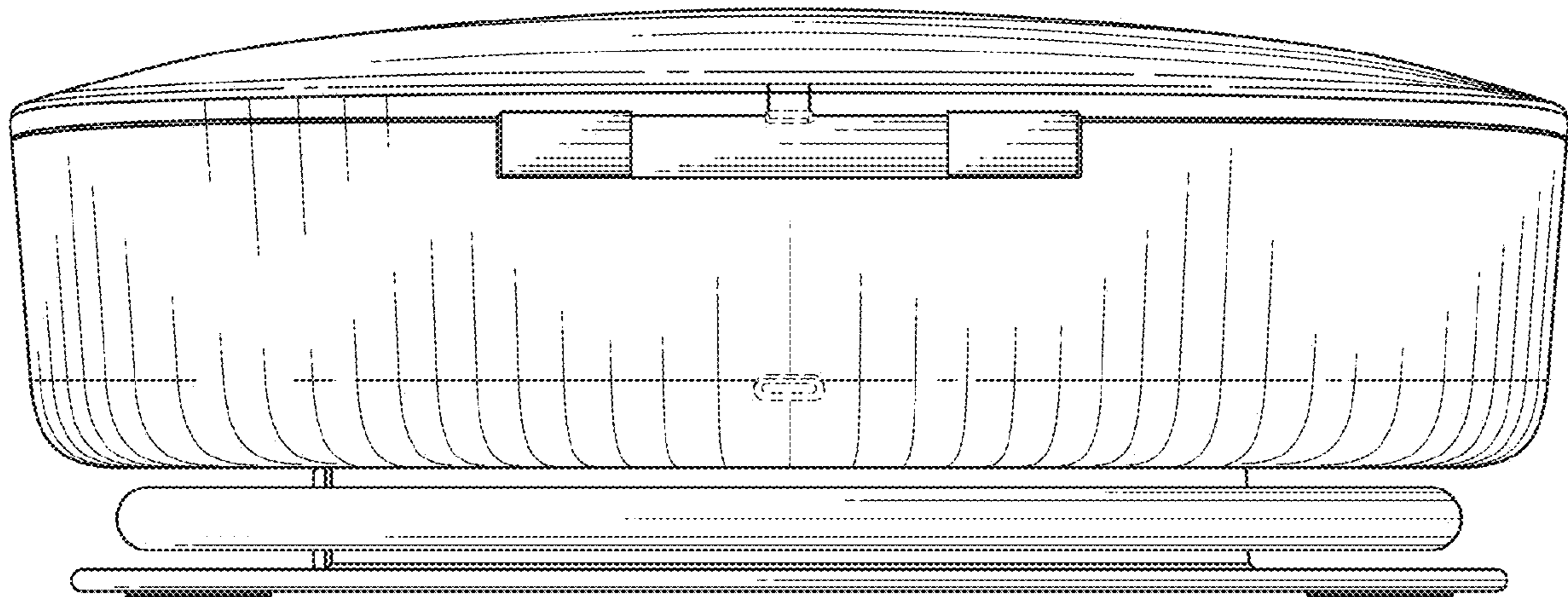


FIG. 4

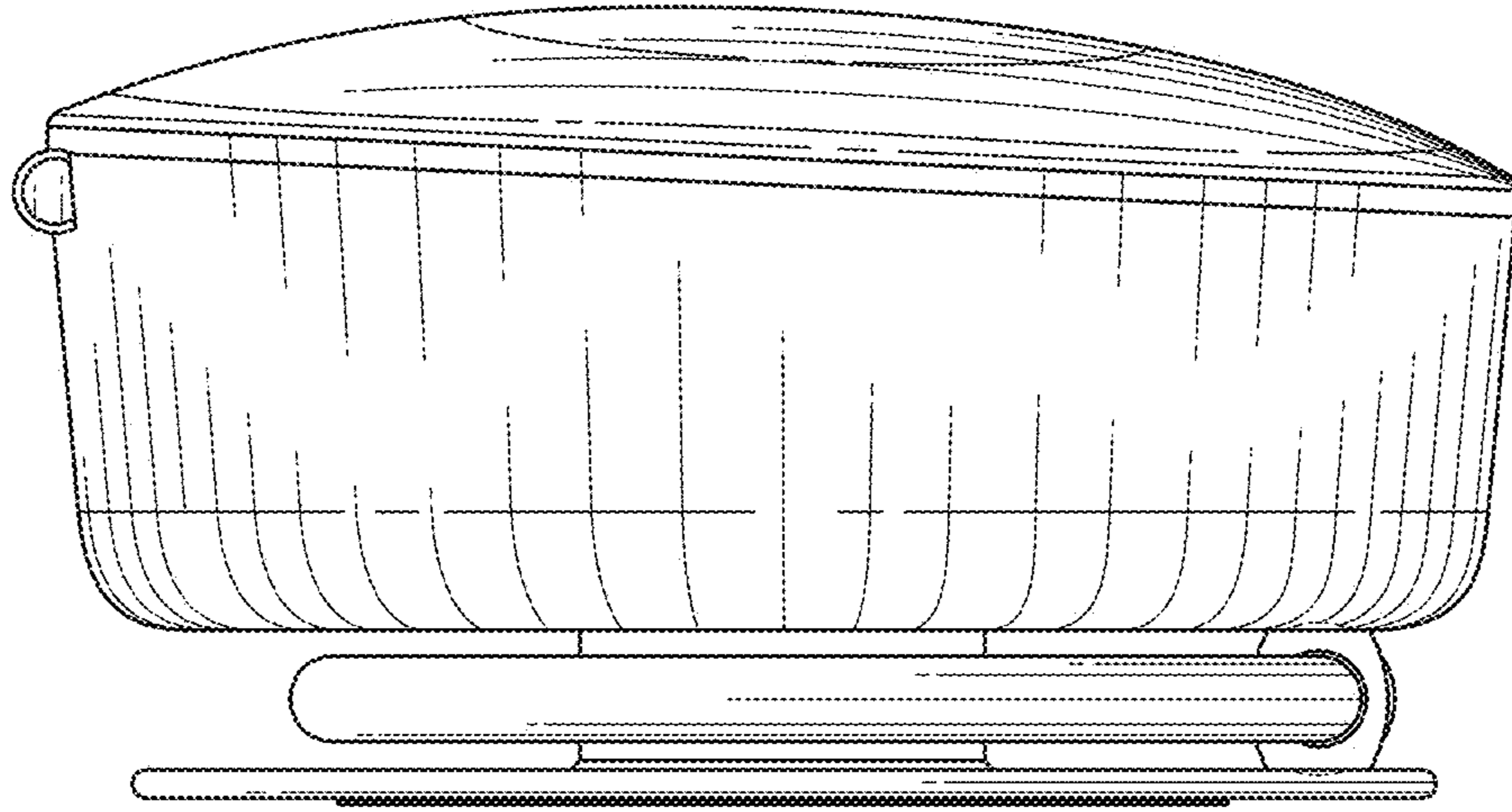


FIG. 5

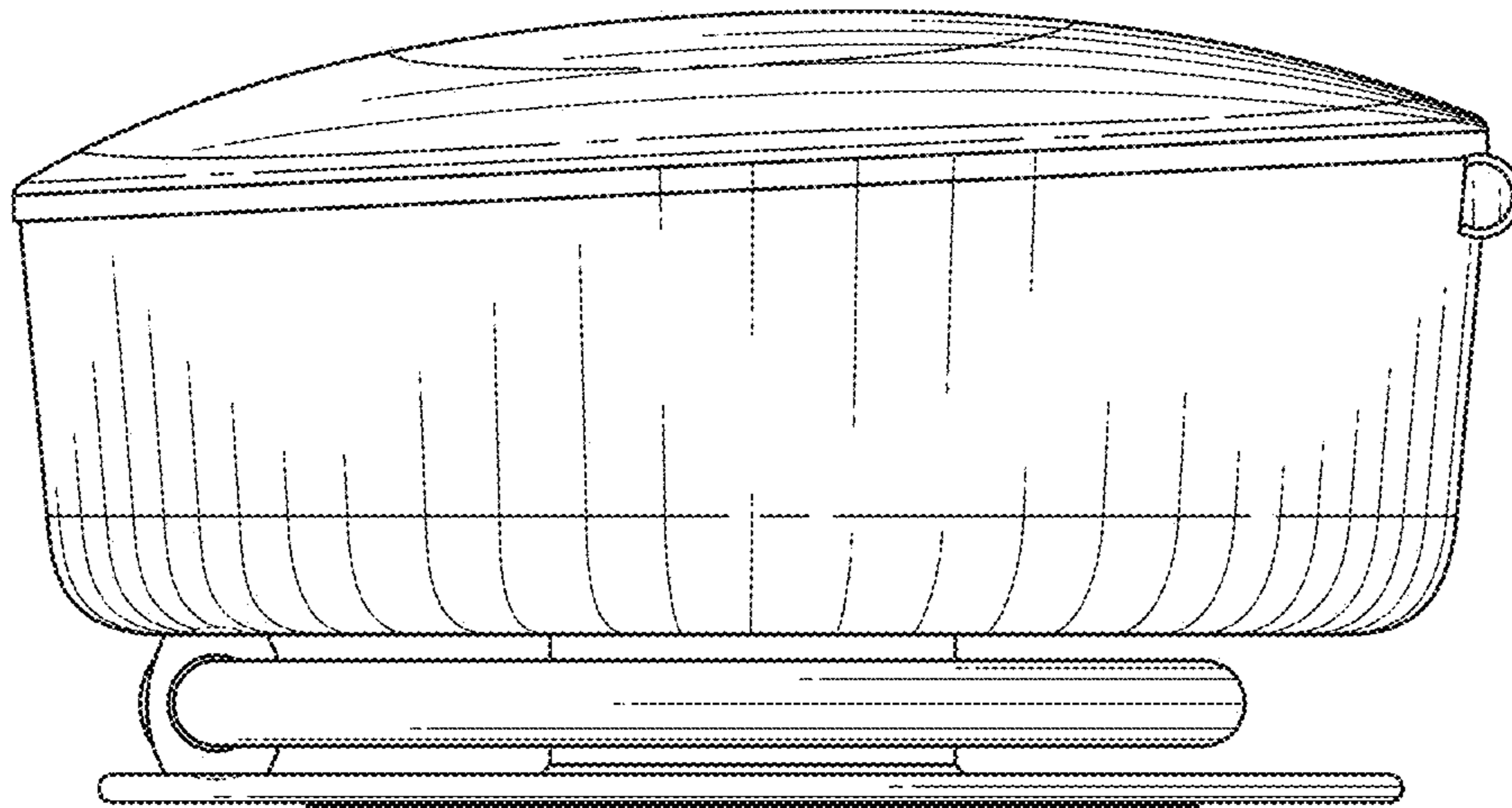


FIG. 6

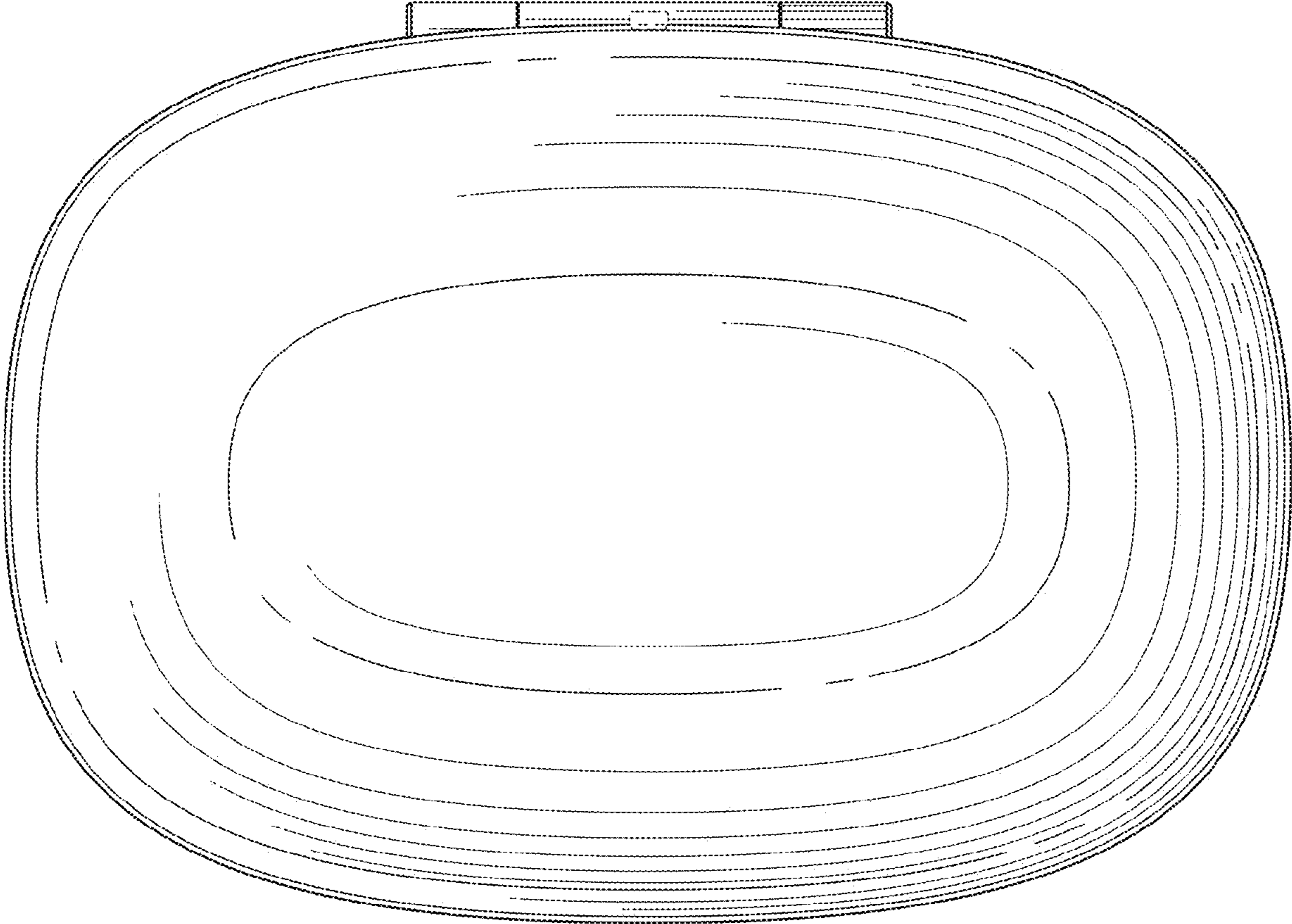


FIG. 7

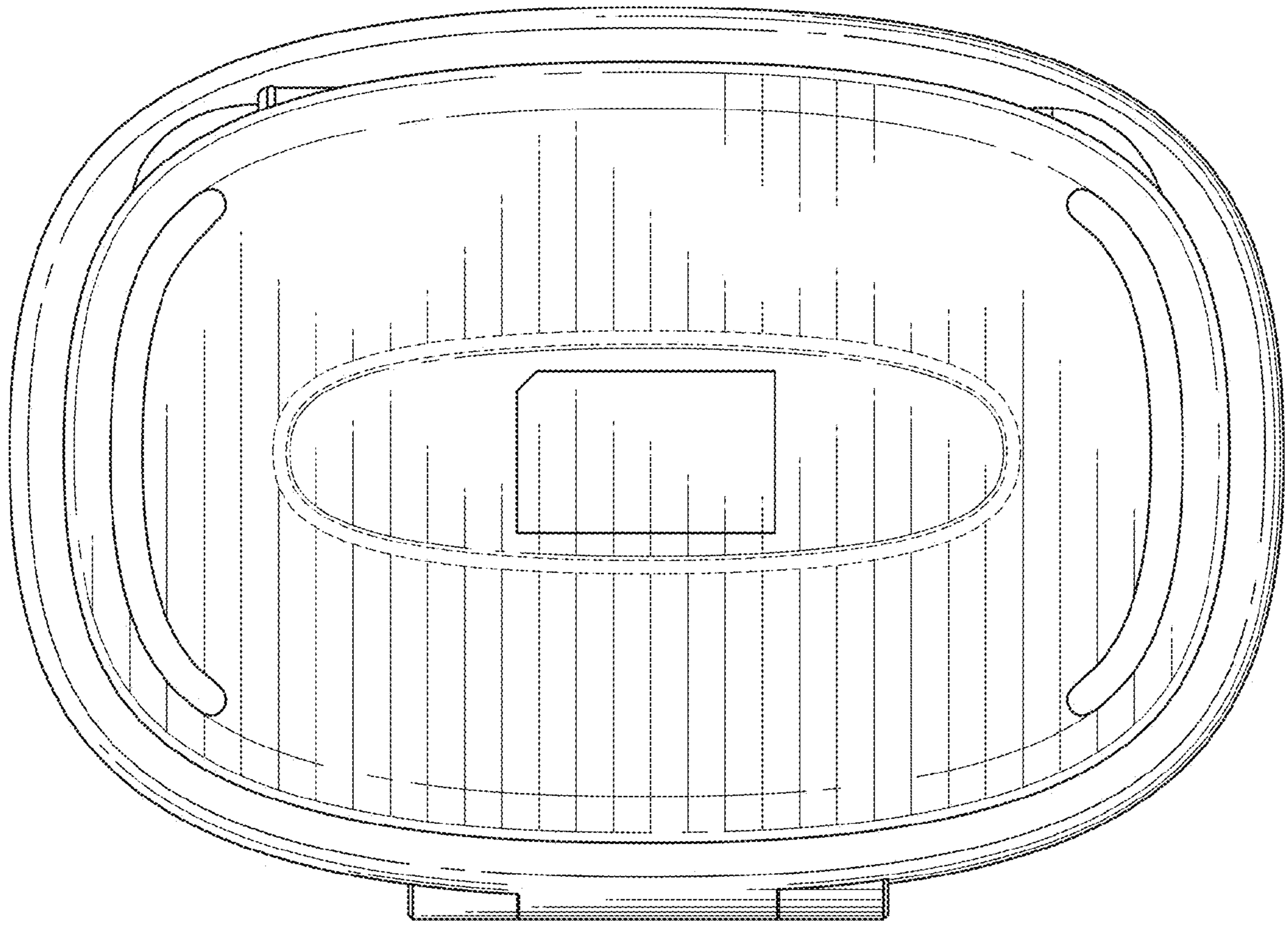


FIG. 8