



US00D993412S

(12) **United States Design Patent** (10) **Patent No.:** **US D993,412 S**  
**Karim** (45) **Date of Patent:** **\*\* Jul. 25, 2023**

(54) **MICRONEEDLING DEVICE**  
(71) Applicant: **Covalent Group Inc.**, Lehi, UT (US)  
(72) Inventor: **Imran Karim**, Frisco, TX (US)  
(73) Assignee: **Covalent Group Inc.**, Lehi, UT (US)  
(\*\*) Term: **15 Years**

2022/0032049 A1\* 2/2022 Chao ..... A61M 37/0015  
2022/0183740 A1\* 6/2022 Ahn ..... A61N 1/403  
2022/0323735 A1\* 10/2022 Scherkowski ..... A61C 17/34  
2022/0409898 A1\* 12/2022 Ahn ..... A61N 1/328

FOREIGN PATENT DOCUMENTS

CA 150472 \* 1/2014  
KR 301143419.0000 \* 12/2021

OTHER PUBLICATIONS

Nano Microneedle Therapy System RF Injection MTS MEso Gun, Nano, Aliexpress, [Post date: unknown], [Site seen Mar. 2, 2023], Seen at URL: [https://www.aliexpress.us/item/3256802351209615.html?gatewayAdapt=glo2usa4itemAdapt&\\_randl\\_shipto=US](https://www.aliexpress.us/item/3256802351209615.html?gatewayAdapt=glo2usa4itemAdapt&_randl_shipto=US) (Year: 2023).\*

(Continued)

*Primary Examiner* — Natasha Vujcic  
*Assistant Examiner* — Gilbert B Ford  
(74) *Attorney, Agent, or Firm* — Winstead PC

(57) **CLAIM**

I claim, the ornamental design for a microneedling device, as shown and described.

**DESCRIPTION**

FIG. 1 is a perspective view of a microneedling device in accordance with the design;  
FIG. 2 is a front view thereof;  
FIG. 3 is a back view thereof;  
FIG. 4 is a left side view thereof;  
FIG. 5 is a right side view thereof;  
FIG. 6 is a top view thereof; and,  
FIG. 7 is a bottom view thereof.  
The broken lines in the drawings illustrate portions of the microneedling device and form no part of the claimed design.

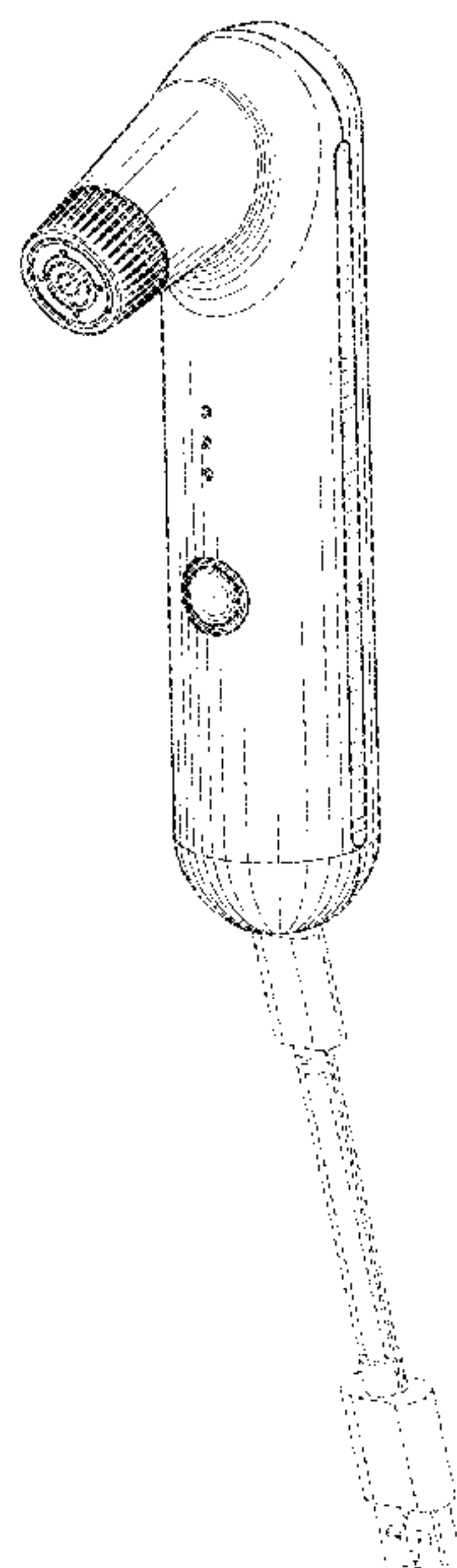
**1 Claim, 5 Drawing Sheets**

(21) Appl. No.: **29/787,874**  
(22) Filed: **Jun. 9, 2021**  
(51) **LOC (14) Cl.** ..... **24-02**  
(52) **U.S. Cl.**  
USPC ..... **D24/144; D24/112**  
(58) **Field of Classification Search**  
USPC ..... D24/112, 113, 114, 133, 186, 127–131, D24/144  
CPC ..... A61M 37/0015; A61M 2037/0061; A61M 2037/0023; A61M 37/0076; A61M 2037/0046  
See application file for complete search history.

(56) **References Cited**

U.S. PATENT DOCUMENTS

D568,992 S \* 5/2008 Bacher ..... D24/133  
D589,650 S \* 3/2009 Adriaenssen ..... D24/133  
D604,855 S \* 11/2009 Shearlaw ..... D24/186  
D705,422 S \* 5/2014 Burton ..... D24/112  
D726,314 S \* 4/2015 Marquez ..... D24/144  
D728,780 S \* 5/2015 Pieroni ..... D24/112  
D738,516 S \* 9/2015 Karim ..... D24/200  
D747,800 S \* 1/2016 Dunleavy ..... D24/133  
D794,784 S \* 8/2017 Bradley ..... D24/133  
D795,423 S \* 8/2017 Chen ..... D24/133  
D843,656 S \* 3/2019 Zhang ..... D24/209  
D941,467 S \* 1/2022 Kang ..... D24/146  
D976,425 S \* 1/2023 Jin ..... D24/214  
2016/0121091 A1\* 5/2016 Burton ..... A61M 37/0015  
604/173



(56)

**References Cited**

OTHER PUBLICATIONS

WellSkins Nano-microneedle Injection Gun Beauty Instrument (White), Aicyber, aicyberinfo.com.au/, [Post date: Oct. 19, 2022], [Site seen Mar. 2, 2023], Seen at URL: <https://aicyberinfo.com.au/products/wellskins-nano-microneedle-injection-gun-beauty-instrument-white> (Year: 2022).\*

3M Hollow Microstructured Transdermal System , 3M, cphi-online.com, [Post date: Jan. 29, 2015], [Site seen Feb. 28, 2023], Seen at URL: <https://www.cphi-online.com/microneedles-breakthrough-brings-3m-one-step-news034120.html> (Year: 2015).\*

\* cited by examiner

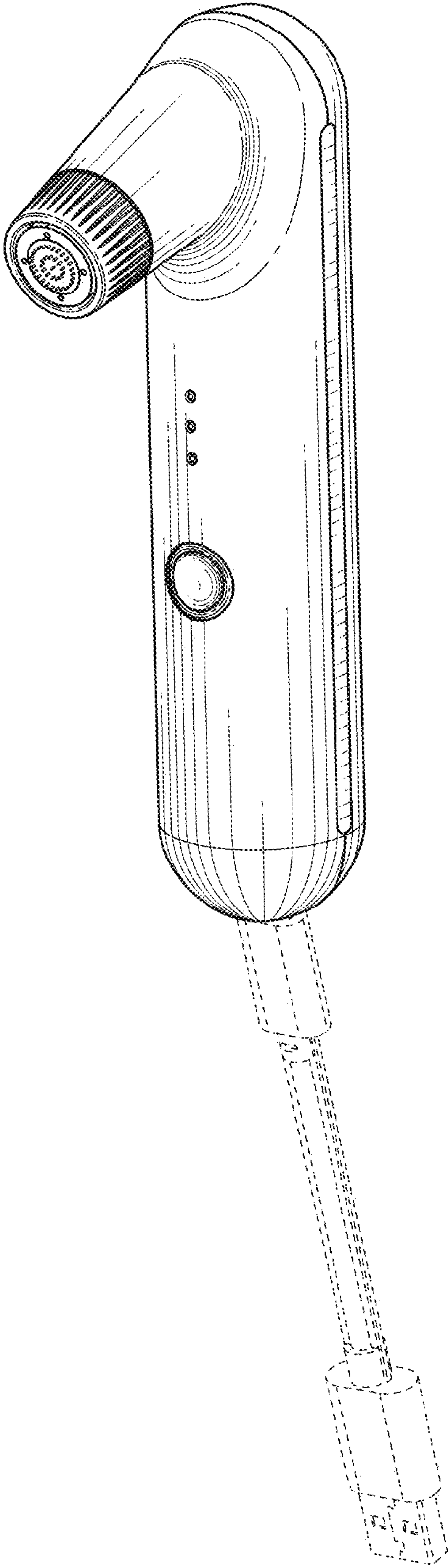


FIG. 1

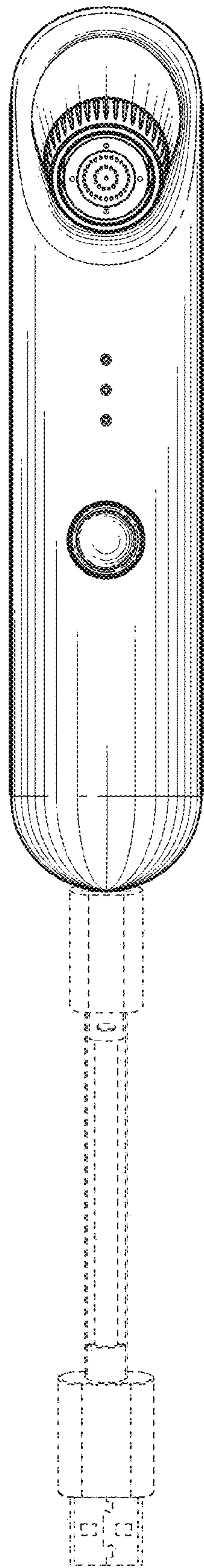


FIG. 2

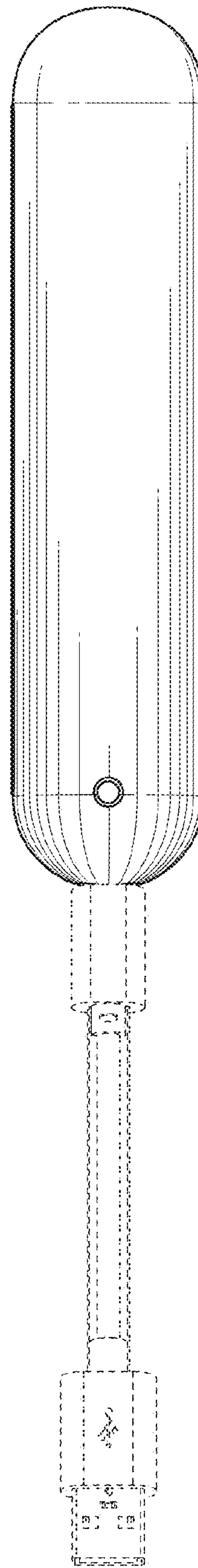


FIG. 3

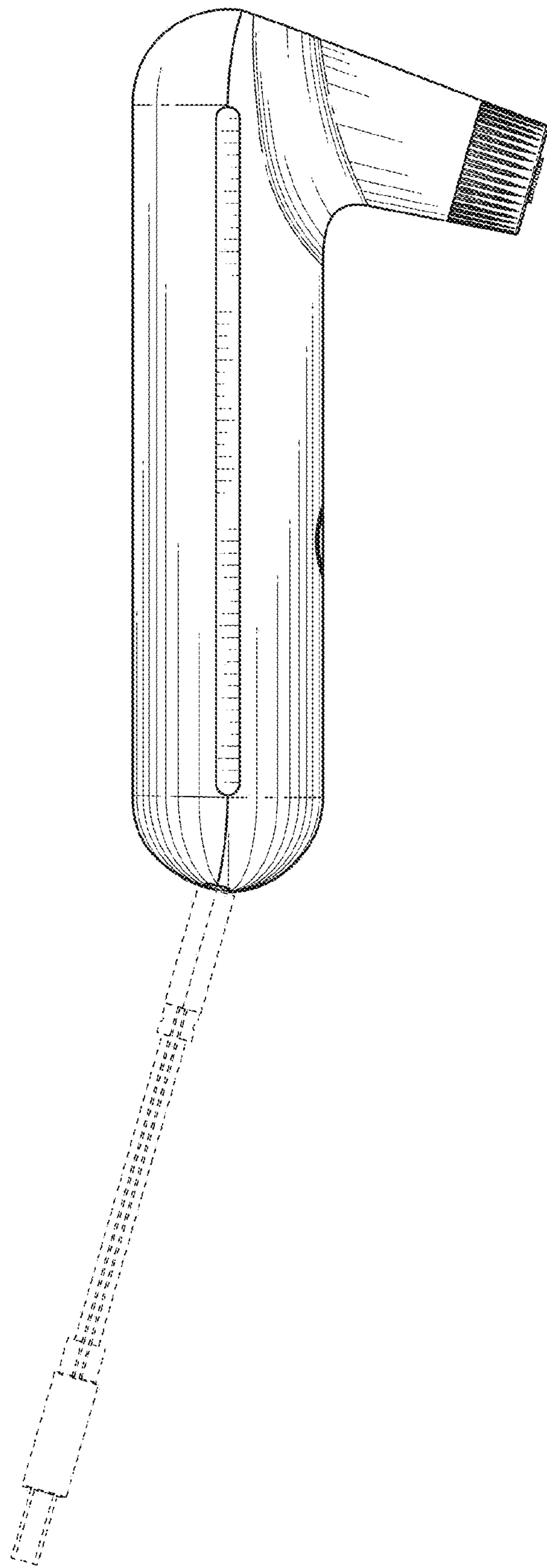


FIG. 4



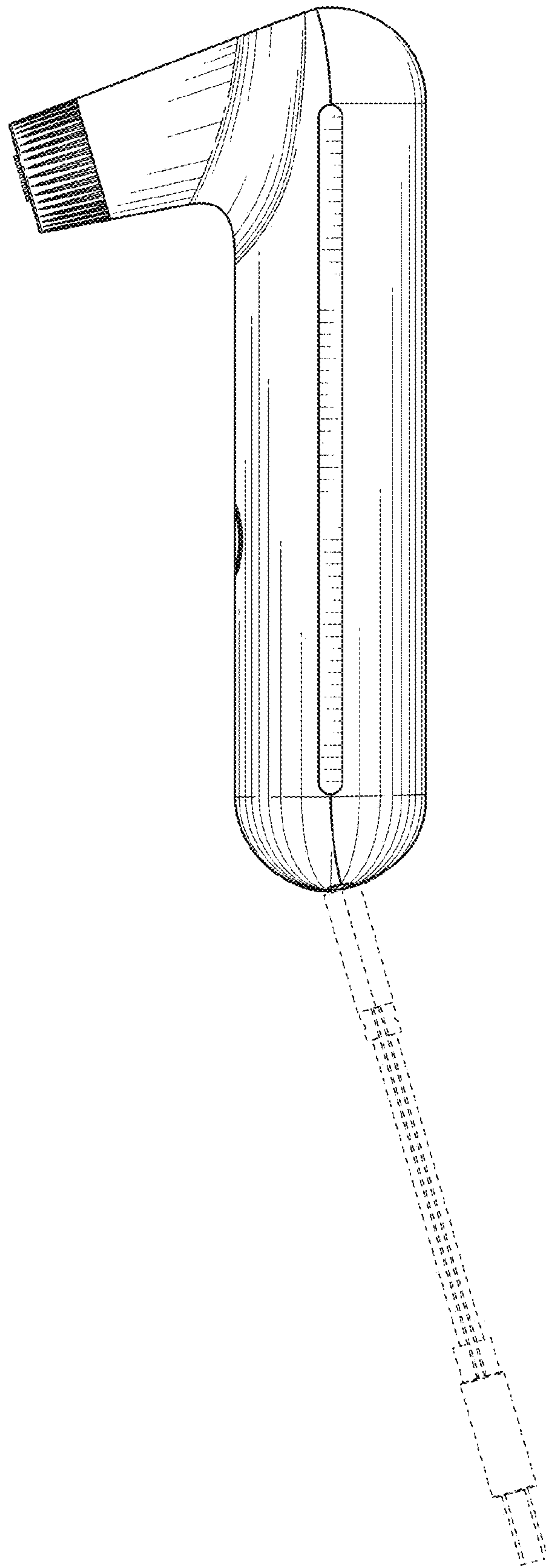


FIG. 5

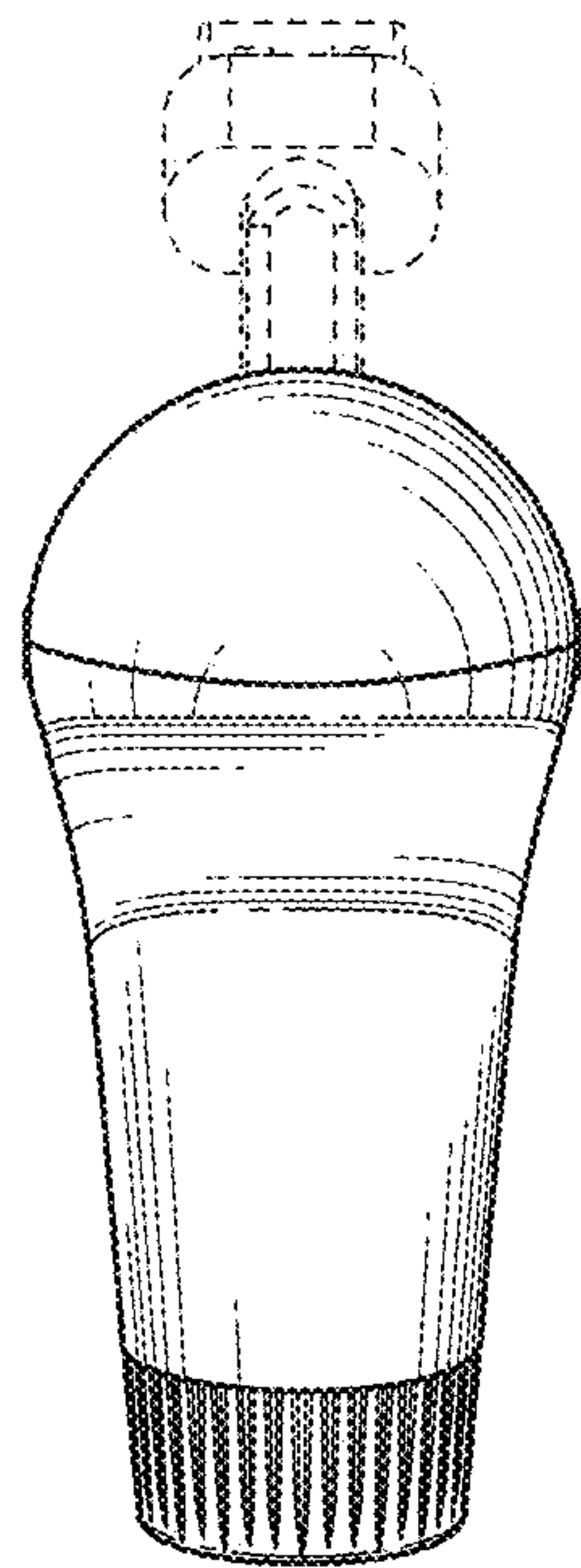


FIG. 6

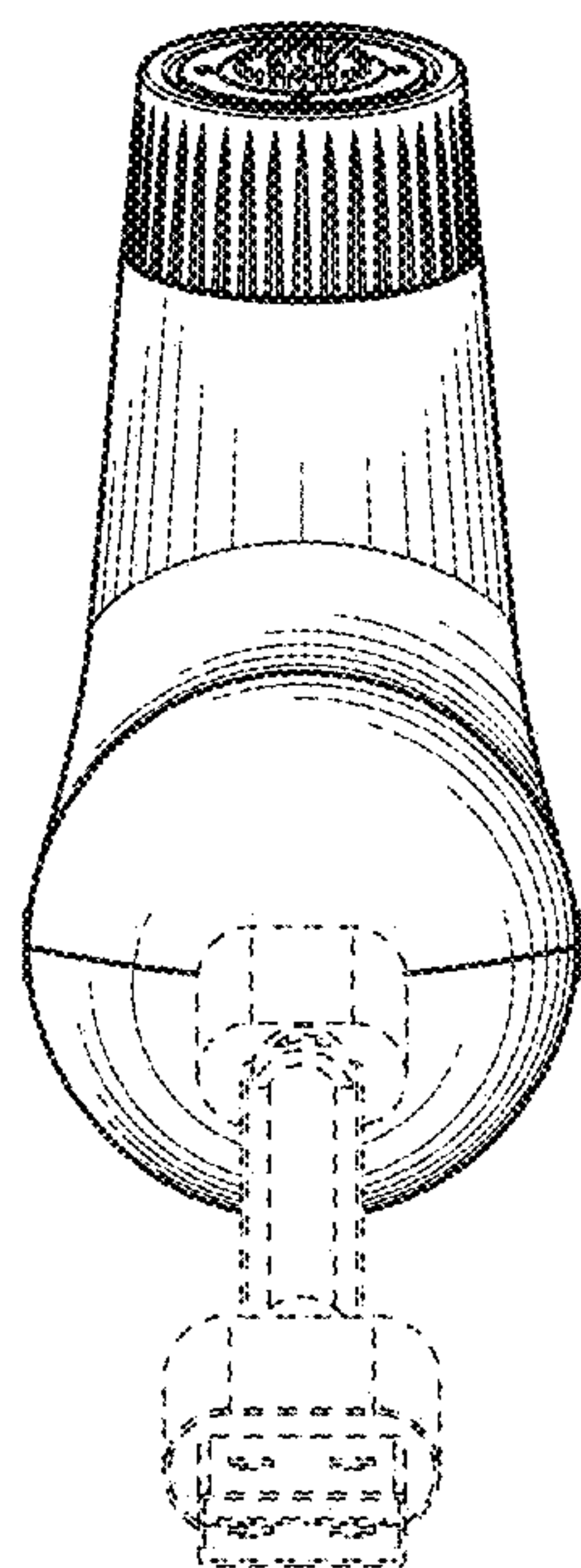


FIG. 7