



US00D993409S

(12) **United States Design Patent**
Kinney

(10) **Patent No.:** **US D993,409 S**

(45) **Date of Patent:** **** Jul. 25, 2023**

(54) **SYRINGE ACCESSORIES KIT FOR USERS WITH LIMITED MOTOR CONTROL AND STRENGTH**

(71) Applicant: **William Jeffery Kinney**, Dallas, TX (US)

(72) Inventor: **William Jeffery Kinney**, Dallas, TX (US)

(**) Term: **15 Years**

(21) Appl. No.: **29/800,895**

(22) Filed: **Jul. 23, 2021**

(51) **LOC (14) Cl.** **24-02**

(52) **U.S. Cl.**
USPC **D24/130**

(58) **Field of Classification Search**
USPC D24/108, 112, 113, 114, 127, 128, 129, D24/130, 133, 186

(Continued)

(56) **References Cited**

U.S. PATENT DOCUMENTS

2,730,099 A * 1/1956 Sullivan A61M 5/3287 D24/114

4,364,388 A 12/1982 Cech
(Continued)

FOREIGN PATENT DOCUMENTS

CA 99870 * 9/2003
JP D1654757 * 3/2020
KR 301064537.0000 * 7/2020

OTHER PUBLICATIONS

“West Pharmaceuticals, Inc: West on the Road—Scottsdale Episode #2.” Found online at Youtube.com. Dec. 3, 2022. Reference dated Mar. 9, 2016. Retrieved from <https://www.youtube.com/watch?v=NmmJFBonc3l>.*

(Continued)

Primary Examiner — Kendra Leslie Hamilton
Assistant Examiner — Elizabeth S Struble
(74) *Attorney, Agent, or Firm* — Craft Chu PLLC;
Andrew W. Chu

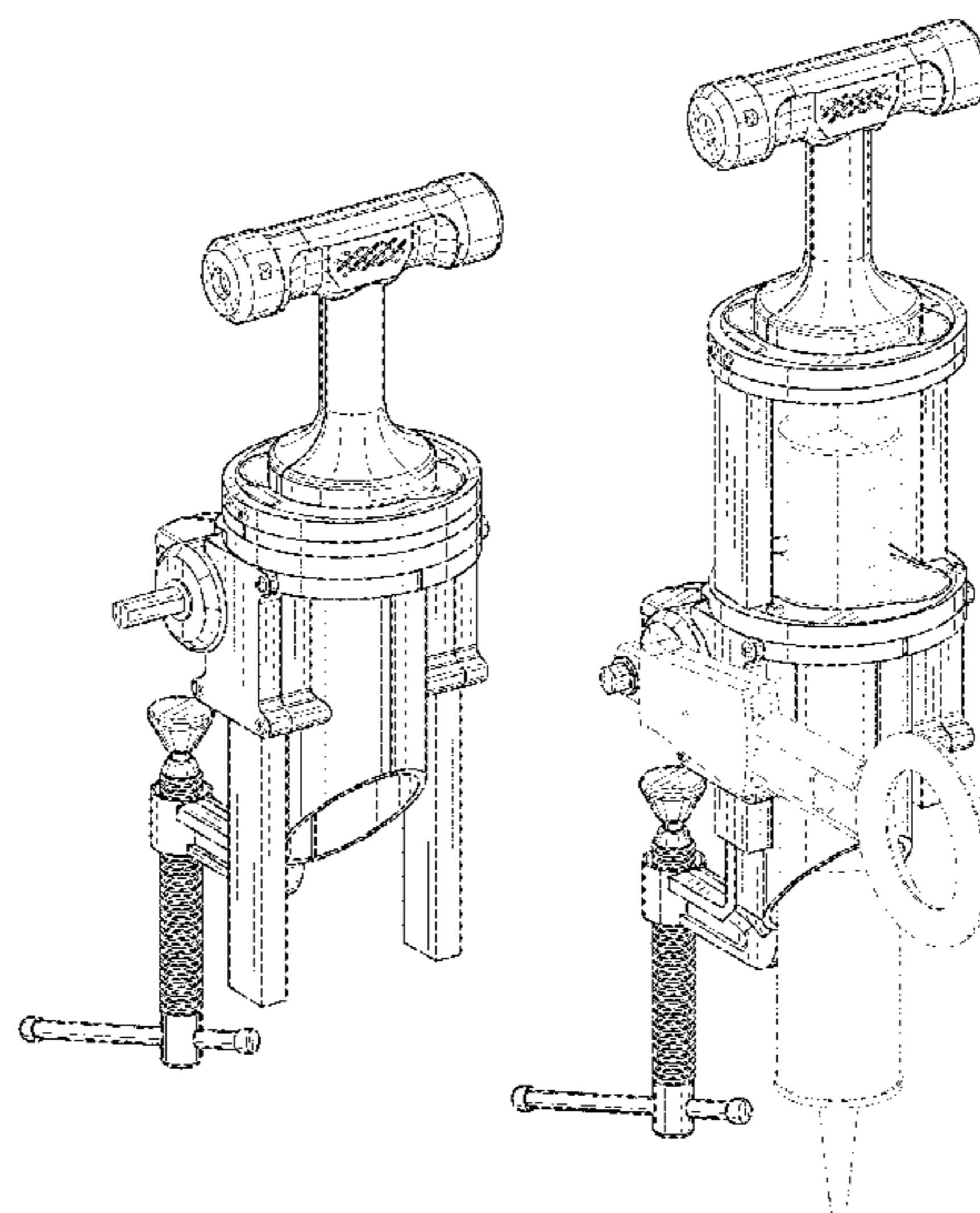
(57) **CLAIM**

The ornamental design for a syringe accessories kit for users with limited motor control and strength, as shown and described.

DESCRIPTION

FIG. 1 is a top, left, front perspective view of an assistive device for a syringe shown compact with the threaded rod and sliding handle rod in a first configuration;
FIG. 2 is a front elevation view thereof;
FIG. 3 is a rear elevation view, showing the threaded rod and sliding handle rod in a second configuration;
FIG. 4 is a left side elevation view, showing the sliding handle rod in a third configuration;
FIG. 5 is a right side elevation view, showing the sliding handle rod in a fourth configuration;
FIG. 6 is a top plan view, showing the sliding handle rod in a fifth configuration;
FIG. 7 is a bottom plan view thereof;
FIG. 8 is a top, left, front perspective view, shown expanded with the threaded rod and sliding handle rod in the first configuration and in a first condition of use;
FIG. 9 is a top, left front perspective view, shown expanded with the threaded rod and sliding handle rod in the first configuration and in a second condition of use; and,
FIG. 10 is a top, left, front perspective view, shown expanded with the threaded rod and sliding handle rod in the first configuration and in a third condition of use.
In all views, the equal-length broken lines shown on the surfaces of the assistive device for a syringe depict unclaimed portions of the assistive device. In FIGS. 8-10, the dash-dot-dash broken lines showing of a syringe, a crank accessory, a motorization accessory depict environmental structure that forms no part of the claimed design.

1 Claim, 6 Drawing Sheets



(58) **Field of Classification Search**

CPC A61M 5/20; A61M 5/31; A61M 5/32;
 A61M 5/46; A61M 5/178; A61M 5/315;
 A61M 5/3129; A61M 5/3137; A61M
 5/3146; A61M 5/3148; A61J 1/2096

See application file for complete search history.

2014/0208689 A1* 7/2014 Joyal B29C 45/14639
 53/381.1
 2015/0105733 A1* 4/2015 Gilchrist A61J 1/2096
 604/218
 2020/0188594 A1* 6/2020 Carrel A61M 5/31526
 2021/0170106 A1* 6/2021 Belisle A61M 5/3243

OTHER PUBLICATIONS

(56) **References Cited**

U.S. PATENT DOCUMENTS

4,639,249 A * 1/1987 Larson F16N 21/04
 604/198
 D660,418 S * 5/2012 Kuczek D24/130
 D672,460 S * 12/2012 Baid D24/130
 D689,601 S * 9/2013 Black D24/108
 9,044,549 B2 6/2015 Niklasson
 9,067,023 B2 6/2015 Bertocci
 RE46,135 E * 9/2016 Hibner A61B 10/0275
 D848,618 S * 5/2019 Großer D24/130
 D876,622 S * 2/2020 Lampropoulos D24/130
 D919,801 S * 5/2021 Hezkiah D24/130

“Drug Development & Delivery: Special Feature: Handheld Injection Devices: Safer, Simpler, and More Customized.” Found online at drug-dev.com. Dec. 3, 2022. Reference dated Sep. 2012. Retrieved from <https://drug-dev.com/special-feature-handheld-injection-devices-safer-simpler-and-more-customized/>.*
 “B.Braun Medical: Syringe Adaptor.” Found online at Youtube.com. Nov. 9, 2022. Reference dated Oct. 8, 2019. Retrieved from <https://www.youtube.com/watch?v=unz6fSRwDIE>.*
 “Ambimedinc: Inject-Ease Automatic Injector.” Found online at Amazon.com. Nov. 9, 2022. Reference dated Apr. 20, 2007. Retrieved from <https://www.amazon.com/Ambimedinc-IE400-Inject-Ease-Automatic-Injector/dp/B000PKYX8K/>.*

* cited by examiner

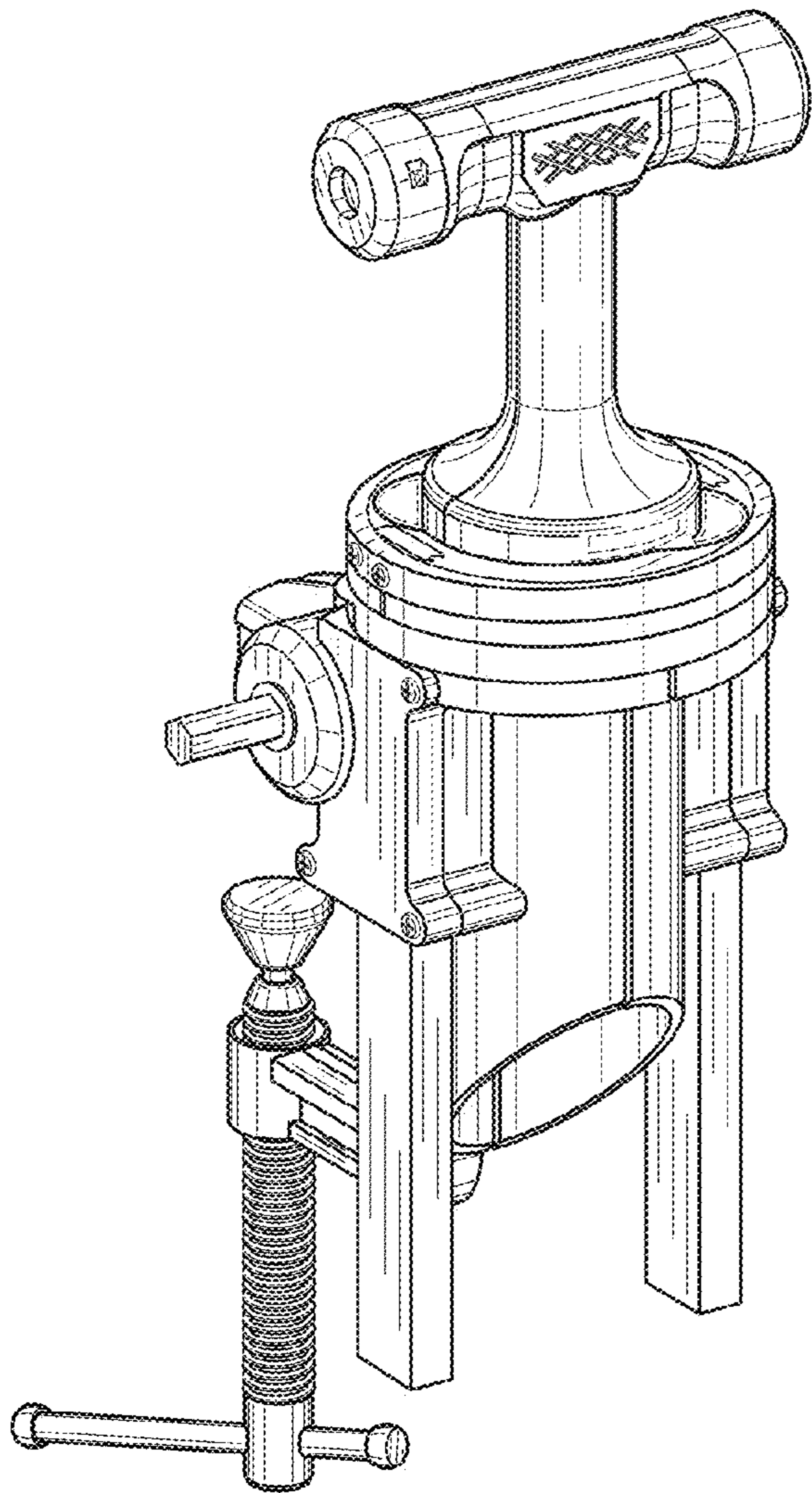


FIG. 1

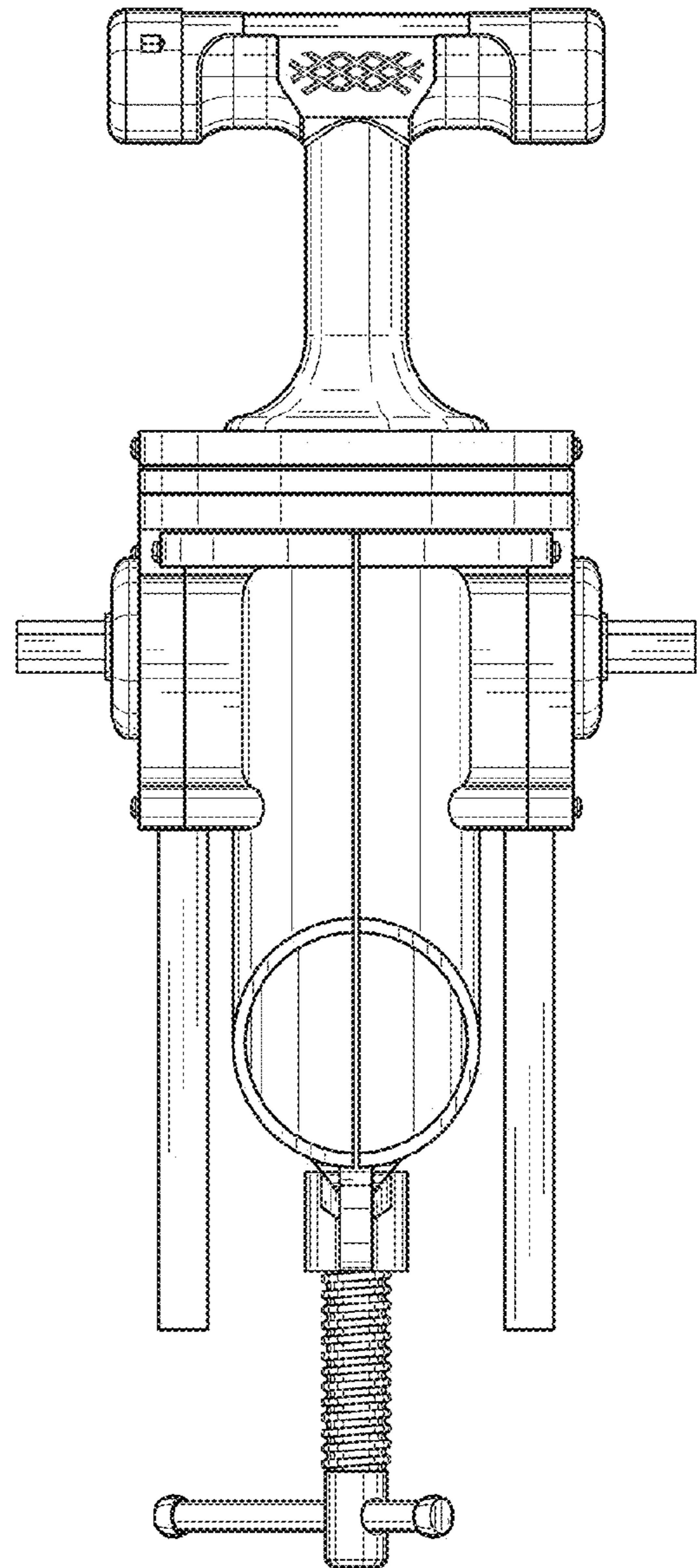


FIG. 2

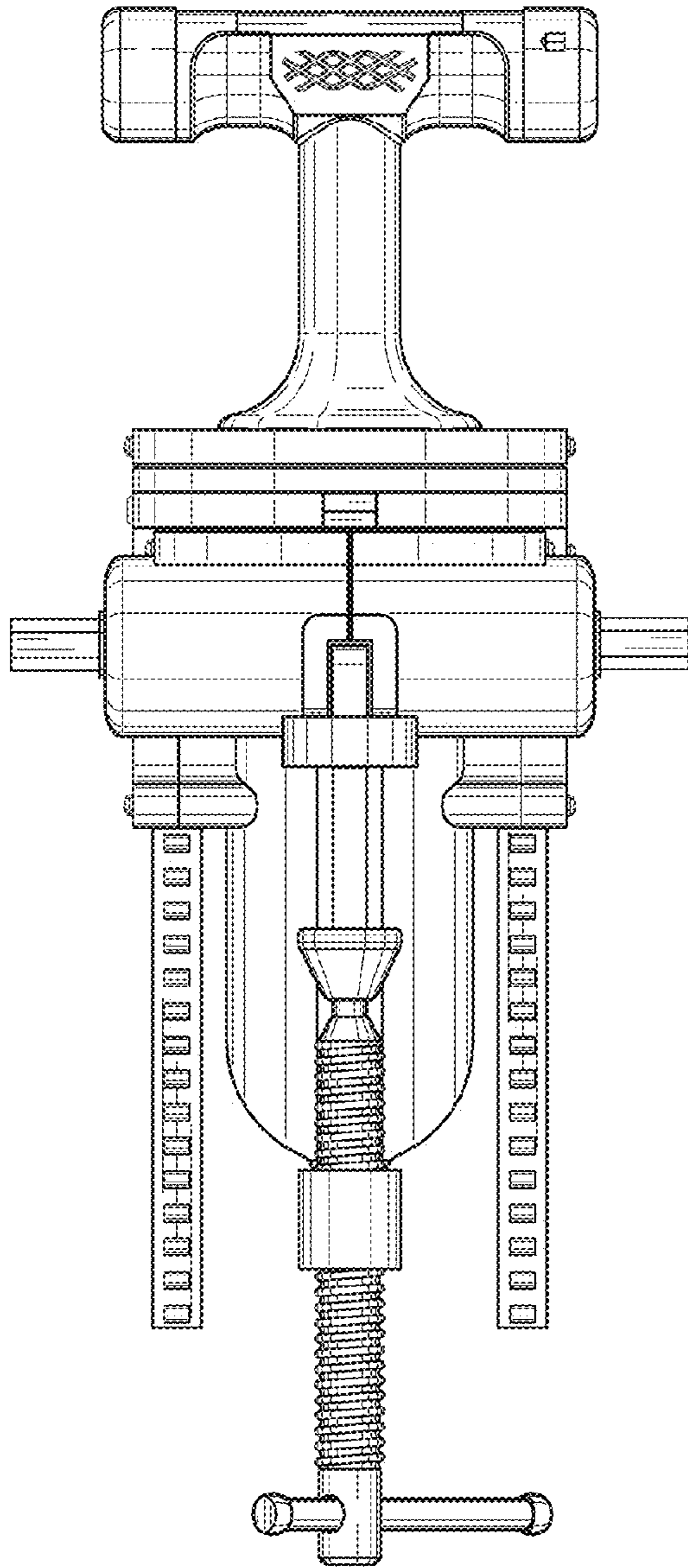


FIG. 3

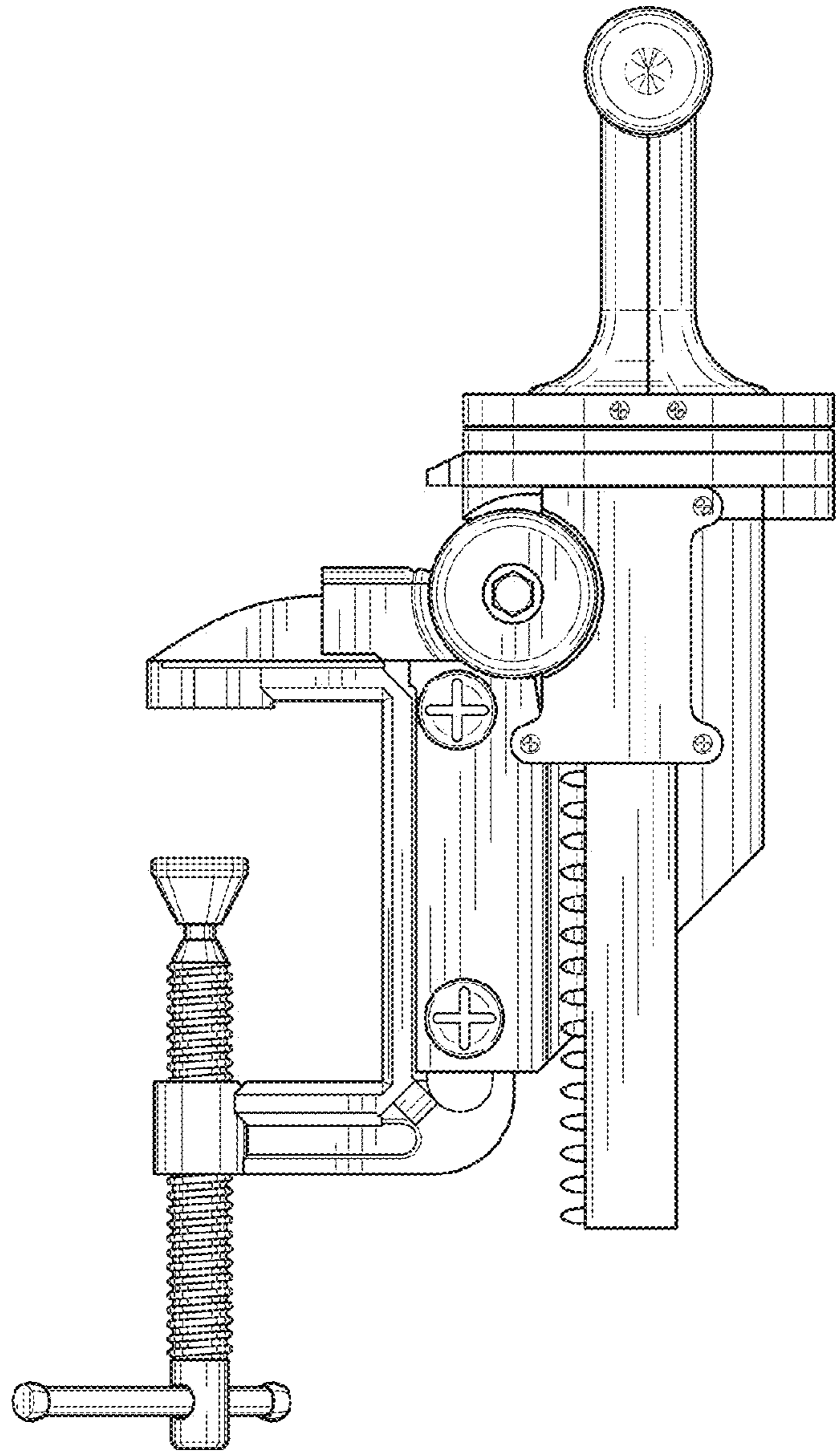
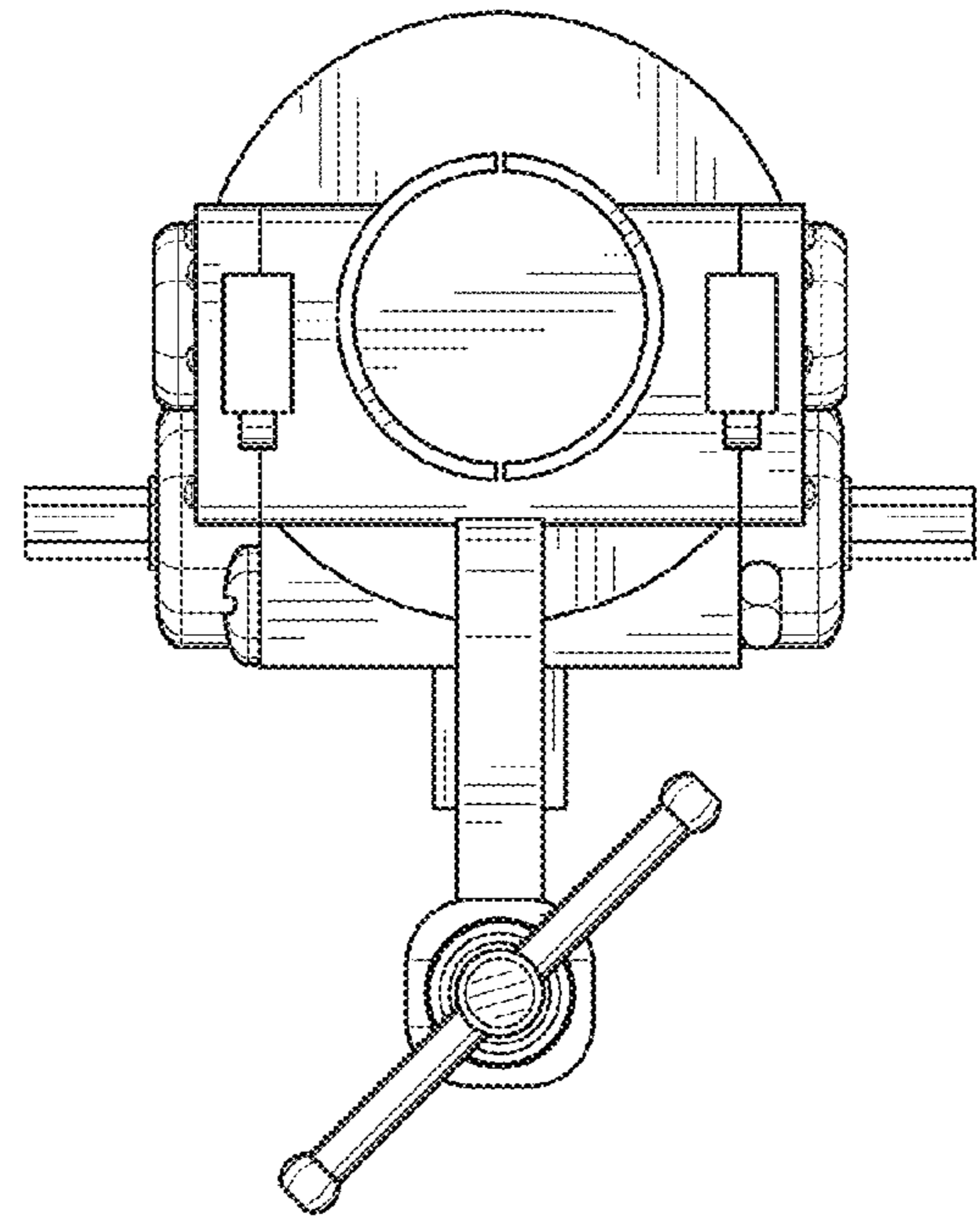
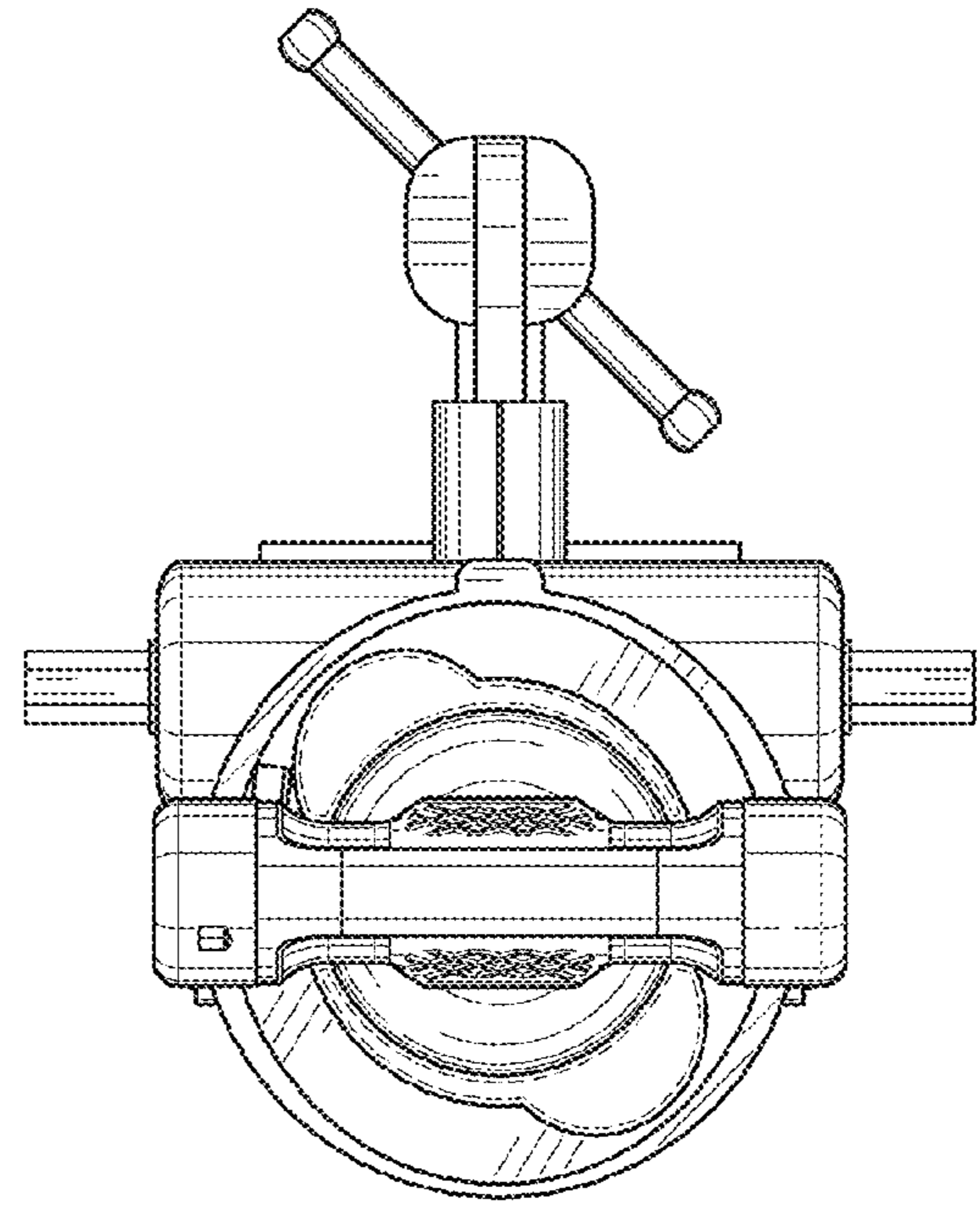
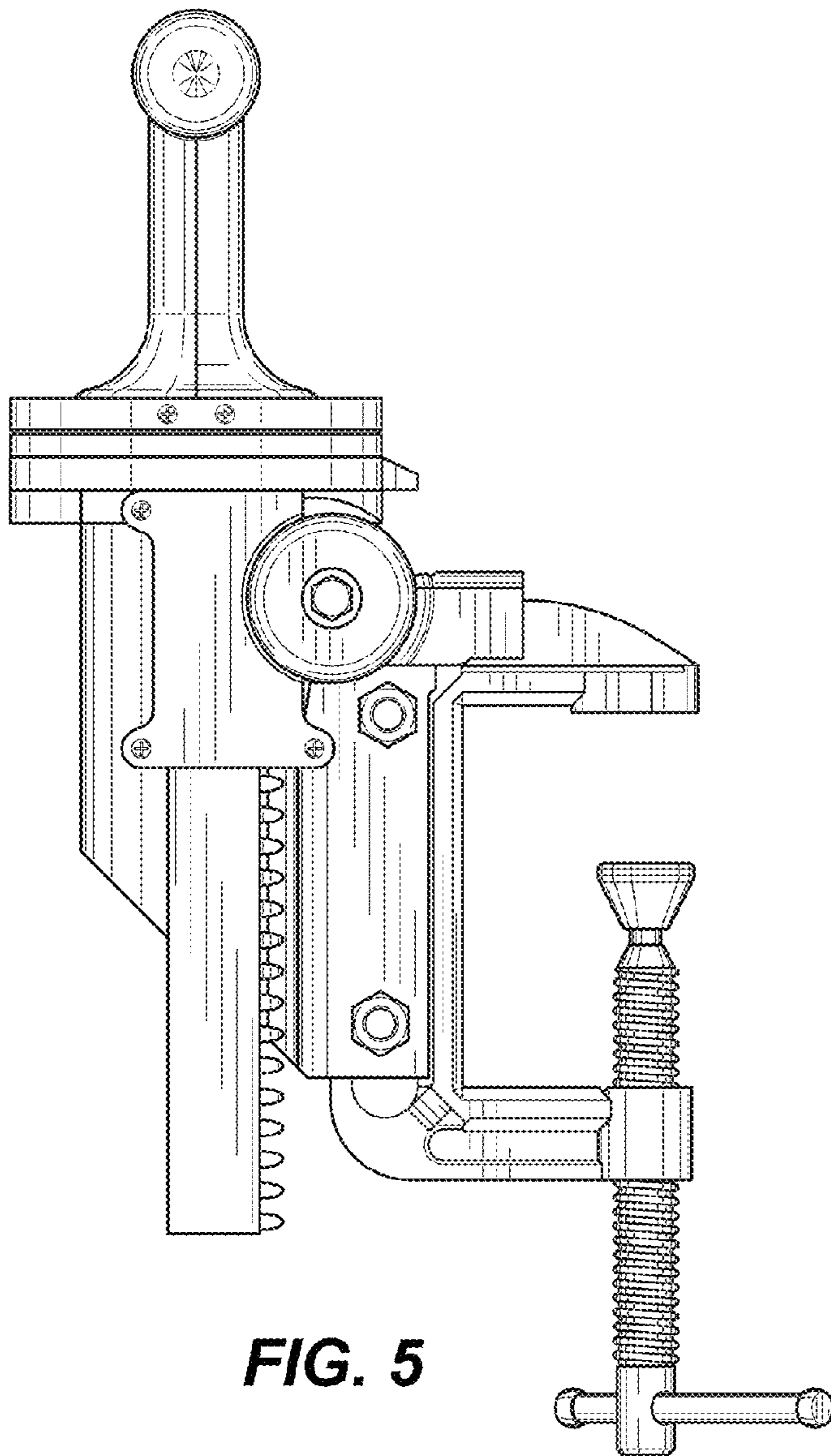


FIG. 4



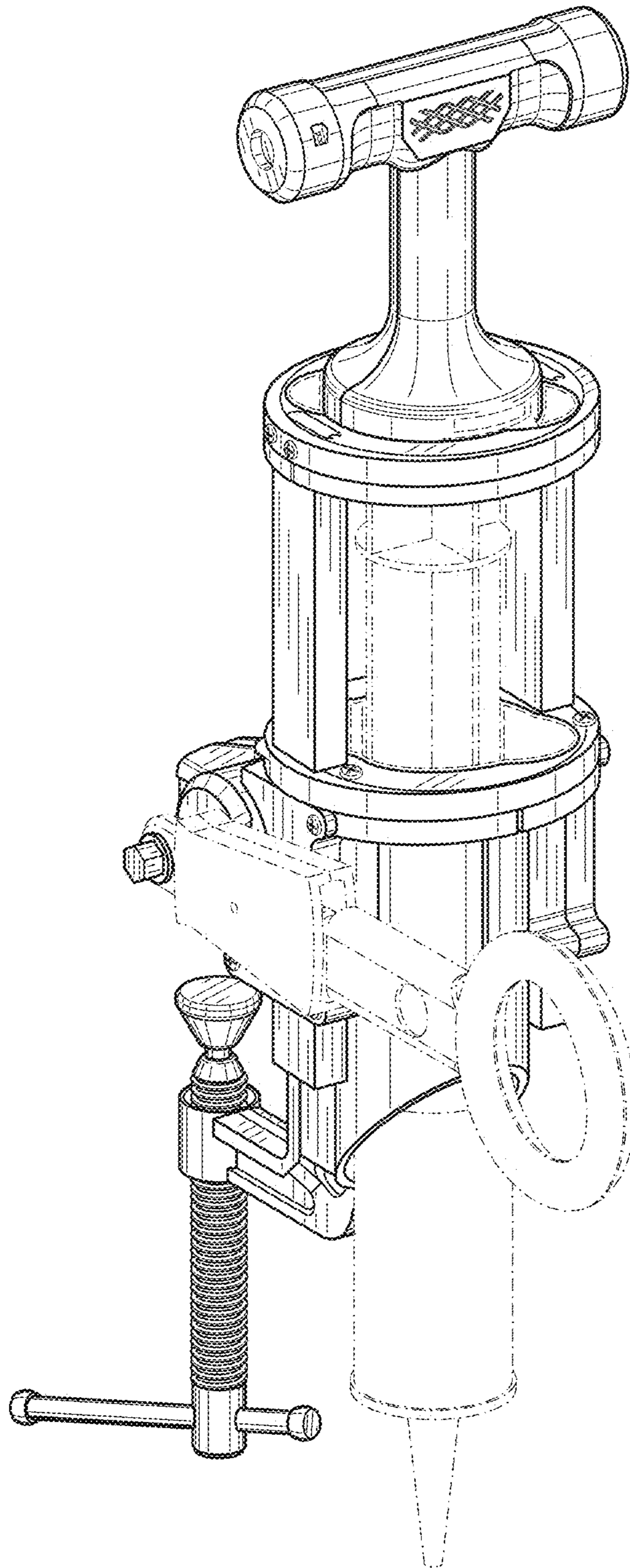


FIG. 8

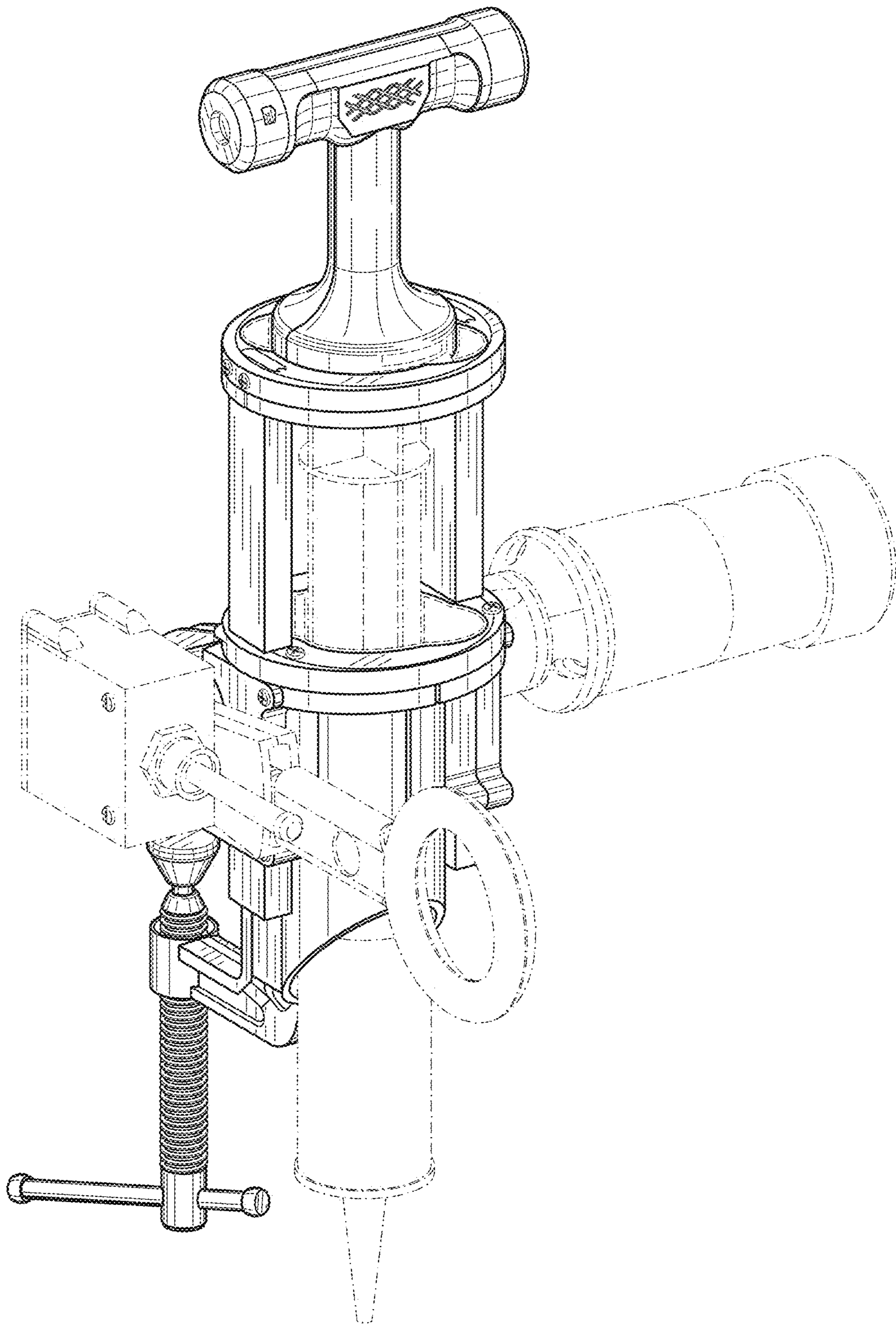


FIG. 9

