



US00D993344S

(12) **United States Design Patent** (10) **Patent No.:** **US D993,344 S**
Watts (45) **Date of Patent:** **** Jul. 25, 2023**

(54) **SKATEBOARD RAILING**
(71) Applicant: **Titus Gadwin Watts**, San Francisco, CA (US)
(72) Inventor: **Titus Gadwin Watts**, San Francisco, CA (US)

D675,693 S * 2/2013 O'Toole D21/765
D705,371 S * 5/2014 Slater D21/765
9,248,367 B2 2/2016 Imbrie et al.
D761,927 S * 7/2016 Belcher D21/765
D815,226 S * 4/2018 Treadway D21/765
D892,245 S * 8/2020 Patterson D21/765
D912,182 S * 3/2021 Burge D21/771
D937,791 S * 12/2021 Jeong D13/182

(**) Term: **15 Years**

(21) Appl. No.: **29/788,569**

(22) Filed: **Jun. 24, 2021**

(51) **LOC (14) Cl.** **21-02**

(52) **U.S. Cl.**
USPC **D21/771; D21/765**

(58) **Field of Classification Search**
USPC D21/419, 421, 424, 662, 760, 765, 766,
D21/769, 771, 776; D12/1, 6, 36, 111,
D12/112, 400; D6/300, 302, 303, 304;
D34/28
CPC A63C 17/01; A63C 17/011; A63C 17/012;
A63C 17/014; A63C 17/015; A63C
17/02; A63C 17/26
See application file for complete search history.

(Continued)

FOREIGN PATENT DOCUMENTS

KR 3009771770000 * 10/2018

OTHER PUBLICATIONS

Electric Skateboard Longboard with Remote Control. Online, published date Dec. 24, 2020. Retrieved on Mar. 2, 2023 from URL: <https://www.amazon.com/Electric-Skateboard-Longboard-Hub-Motor-Adjustment/dp/B08R8P471F/>.*

(Continued)

Primary Examiner — Omeed Agilee
Assistant Examiner — David Truong
(74) *Attorney, Agent, or Firm* — Dunlap Bennett & Ludwig, PLLC; Anna L. Kinney

(56) **References Cited**

U.S. PATENT DOCUMENTS

D166,120 S 3/1952 Paden
3,565,454 A * 2/1971 Stevenson A63C 17/012
D21/765
4,323,261 A 4/1982 Samuelson
D299,820 S 2/1989 Viera
5,132,883 A 7/1992 La Lumandier
D386,235 S 11/1997 Liautaud
D425,944 S * 5/2000 Lee D21/423
D437,019 S * 1/2001 Colon D21/765
D490,491 S * 5/2004 Goa D21/771
D528,168 S * 9/2006 Lavarone D21/423
D573,356 S * 7/2008 Zasloff D6/303
D603,474 S * 11/2009 Hillman D21/765
D640,526 S * 6/2011 Cash D8/352
D643,493 S * 8/2011 Nickolaisen D21/771

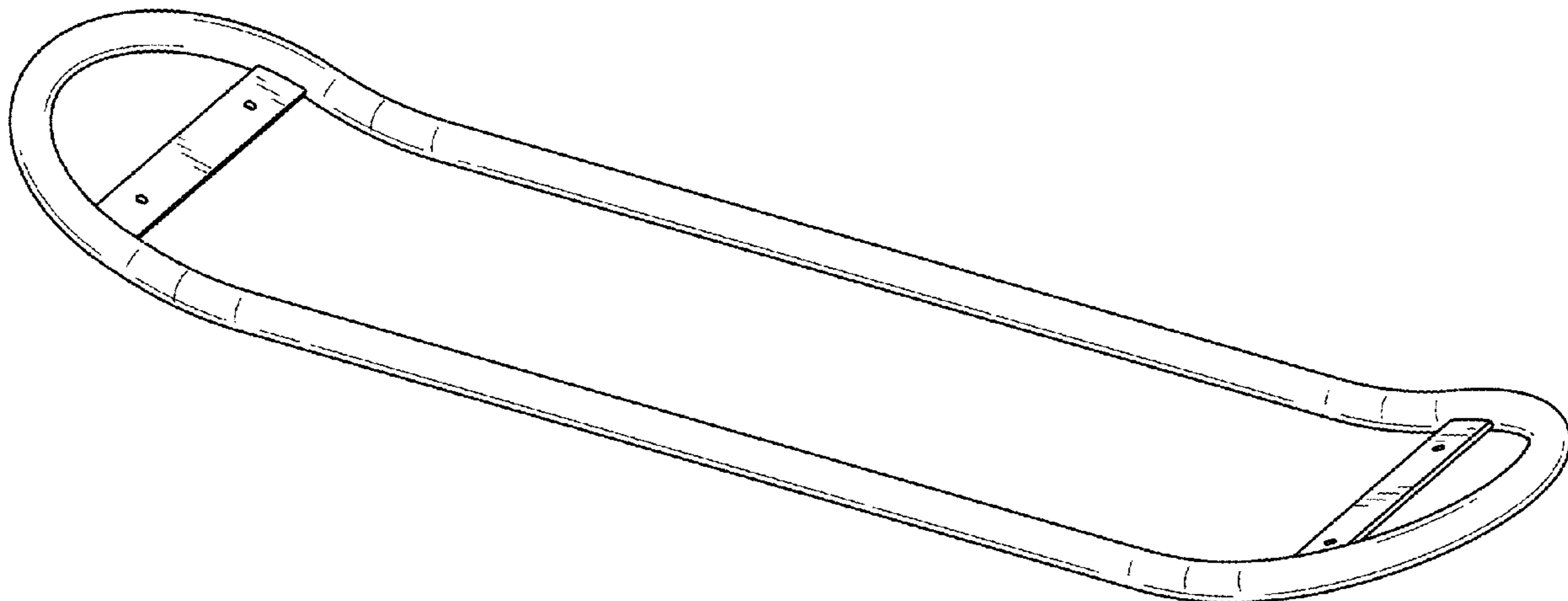
(57) **CLAIM**

The ornamental design for a skateboard railing, as shown and described.

DESCRIPTION

FIG. 1 is a top perspective view of a skateboard railing showing my new design;
FIG. 2 is a front elevation view thereof, the rear elevation view being an identical image thereof;
FIG. 3 is a left side elevation view thereof, the right side elevation view being an identical image thereof;
FIG. 4 is a top plan view thereof; and,
FIG. 5 is a bottom plan view thereof.

1 Claim, 3 Drawing Sheets



(56)

References Cited

U.S. PATENT DOCUMENTS

D975,813 S * 1/2023 Karacsonyi D21/765
2011/0221179 A1 9/2011 Nickolaisen

OTHER PUBLICATIONS

Agog Sports Slopedeck. Online, published date Nov. 15, 2020.
Retrieved on Mar. 2, 2023 from URL: <https://www.amazon.com/Agog-Sports-SLOPEDECK-Skateboard-Snowboarding/dp/B01N6ZOYEL/>.*

* cited by examiner

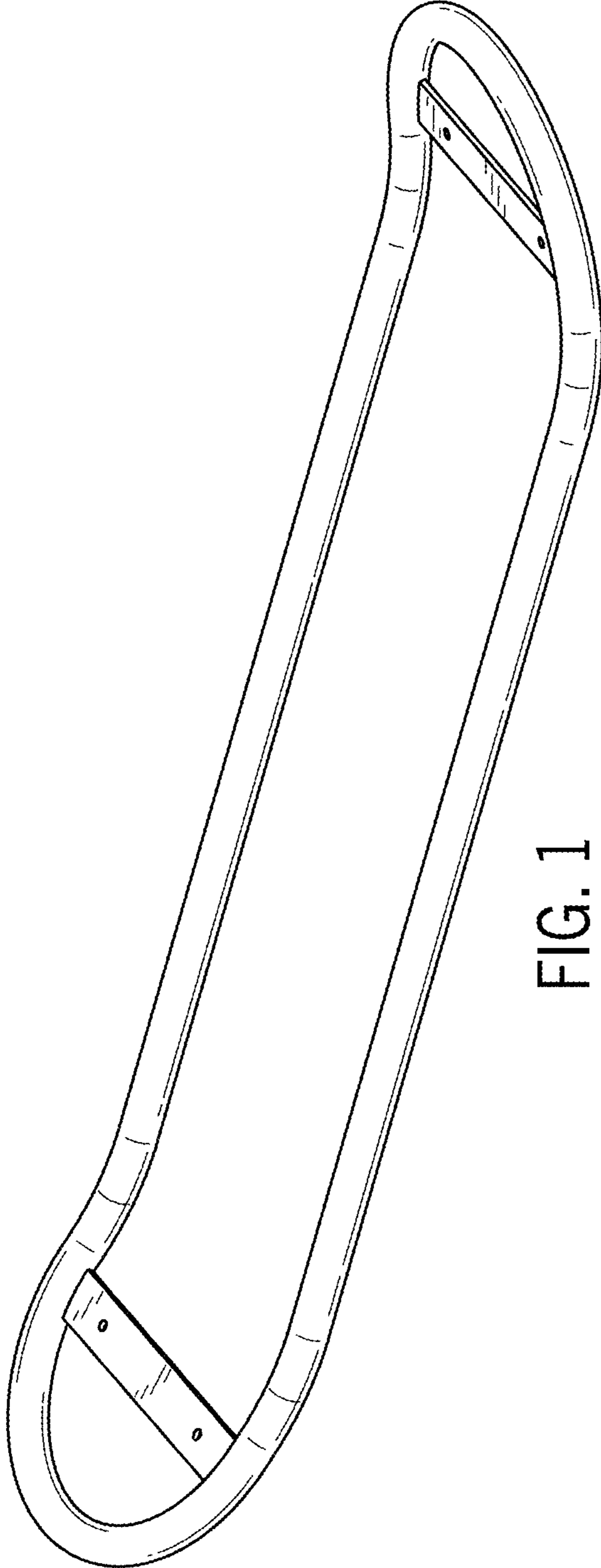


FIG. 1

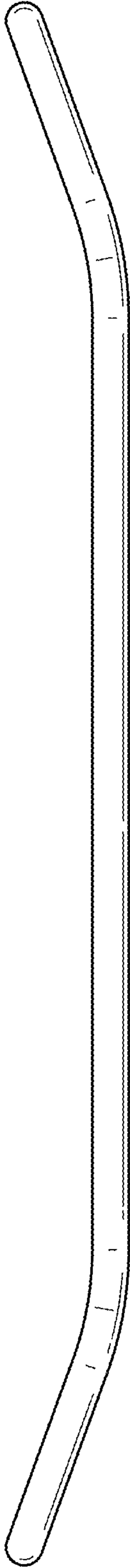


FIG. 2

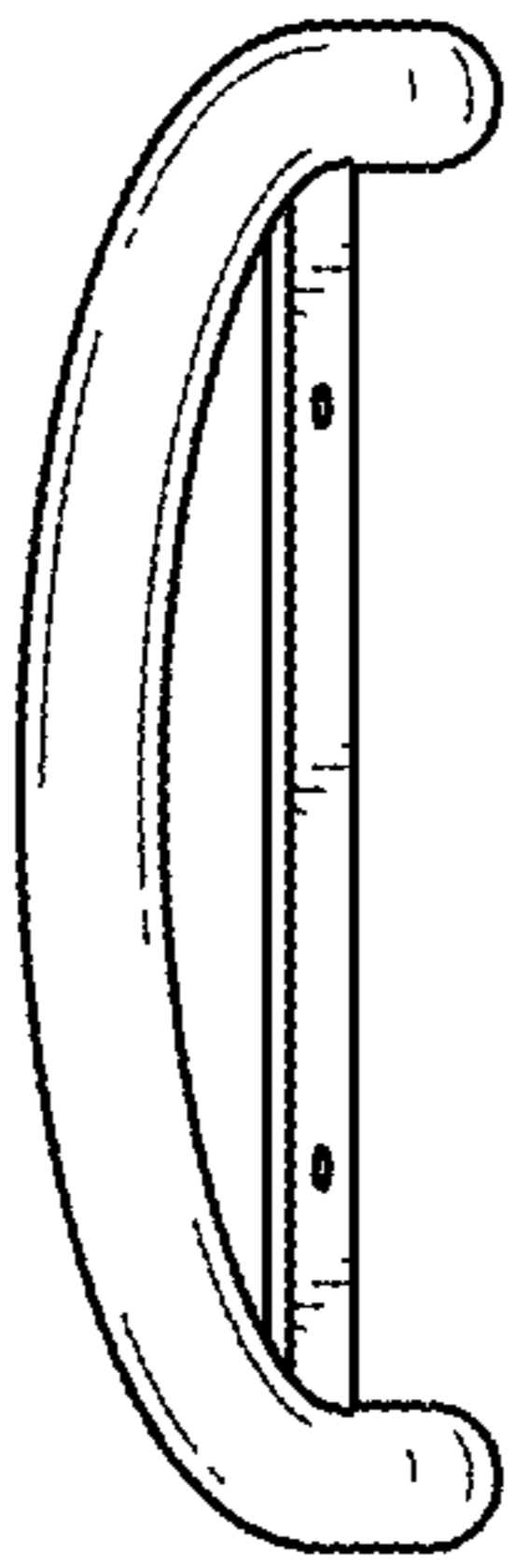


FIG. 3

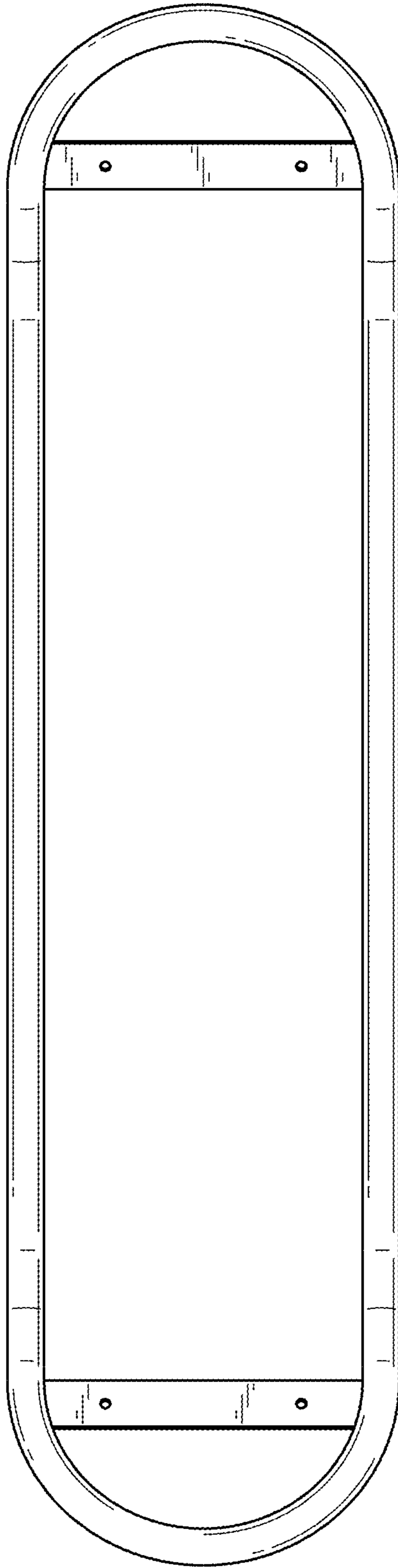


FIG. 4

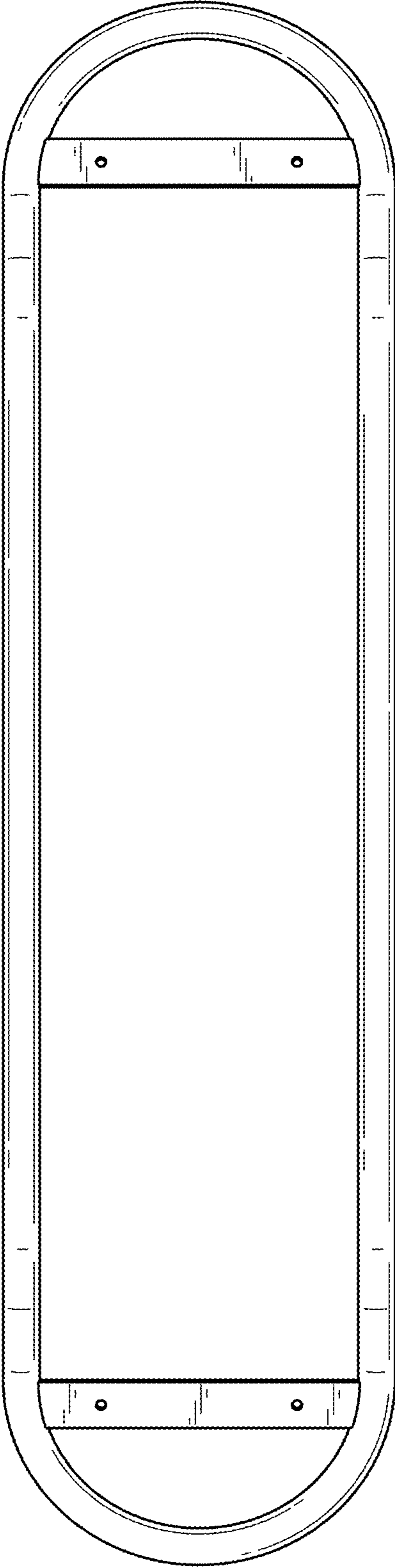


FIG. 5