



US00D993341S

(12) **United States Design Patent** (10) **Patent No.:** **US D993,341 S**
Lagree et al. (45) **Date of Patent:** **** Jul. 25, 2023**

(54) **EXERCISE MACHINE**
(71) Applicant: **Lagree Technologies, Inc.**, Chatsworth, CA (US)
(72) Inventors: **Sebastien Anthony Louis Lagree**, Chatsworth, CA (US); **Max Wunderlich**, Los Angeles, CA (US)

7,163,500 B2 1/2007 Endelman
7,803,095 B1 9/2010 Lagree
7,931,570 B2 4/2011 Hoffman
8,249,714 B1 8/2012 Hartman
D694,347 S * 11/2013 Campanaro D21/676
8,585,554 B2 11/2013 Shavit
8,641,585 B2 2/2014 Lagree
D711,984 S * 8/2014 Smyth D21/686

(Continued)

(73) Assignee: **Lagree Technologies, Inc.**, Chatsworth (CA)

FOREIGN PATENT DOCUMENTS

WO 2004/096376 A1 11/2004

(**) Term: **15 Years**

OTHER PUBLICATIONS

(21) Appl. No.: **29/797,322**

“The Micro,” Oct. 31, 2022, Youtube, site visited Nov. 19, 2022: <https://www.youtube.com/watch?v=DL9se5DGXP0&t=6s> (Year: 2022).*

(22) Filed: **Jun. 30, 2021**

(51) **LOC (14) Cl.** **21-02**

(52) **U.S. Cl.**
USPC **D21/686**

(58) **Field of Classification Search**
USPC D21/687, 690, 662, 665, 676, 695, 686, D21/674, 694, 692
CPC A63B 71/0622; A63B 22/0076; A63B 23/0233; A63B 21/4047; A63B 24/0062; A63B 21/154; A63B 21/023; G09B 5/06

See application file for complete search history.

(Continued)

Primary Examiner — Jack Reickel
Assistant Examiner — Salamah Jordan
(74) *Attorney, Agent, or Firm* — Neustel Law Offices

(57) **CLAIM**

The ornamental design for an exercise machine, as shown and described.

(56) **References Cited**

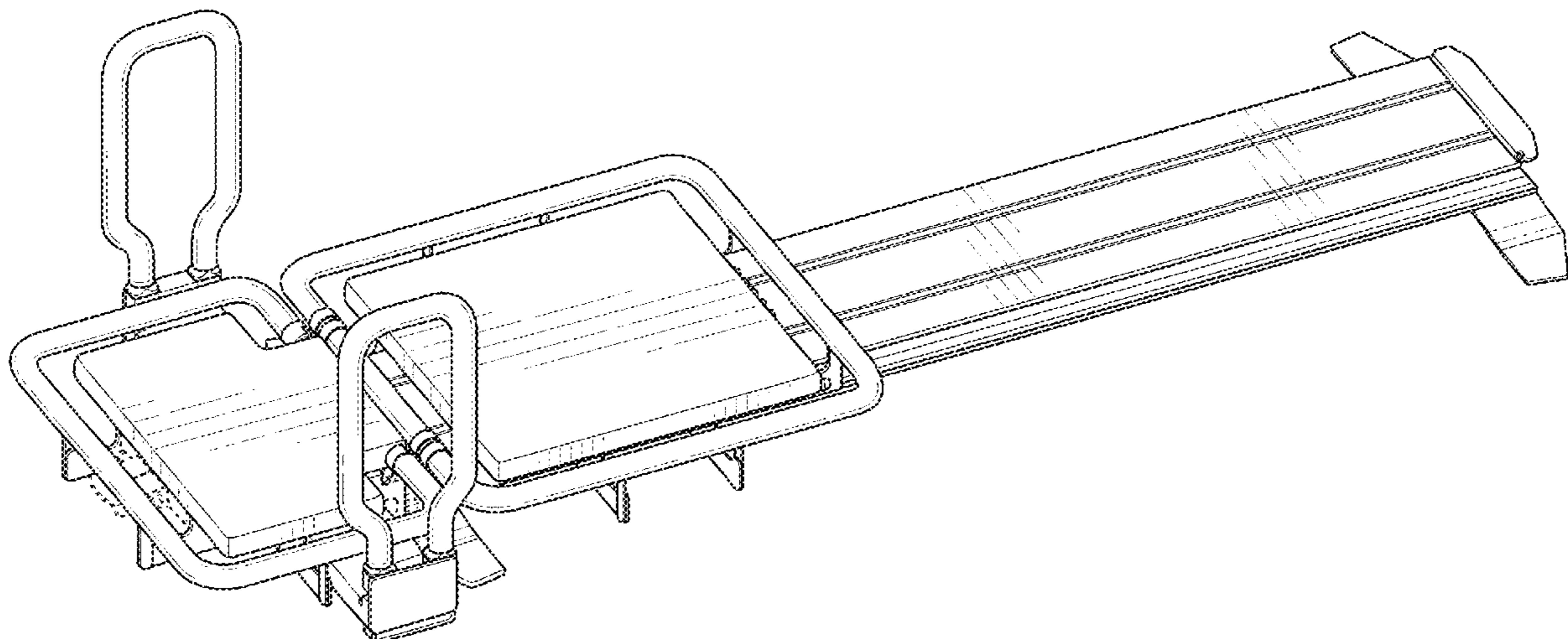
DESCRIPTION

U.S. PATENT DOCUMENTS

1,621,477 A 8/1925 Pilates
3,770,267 A 11/1973 McCarthy
4,759,540 A 7/1988 Yu
4,798,378 A 1/1989 Jones
5,066,005 A 11/1991 Luecke
5,263,913 A 11/1993 Boren
D362,700 S 9/1995 Breibart
D382,319 S 8/1997 Gerschefske
5,681,249 A 10/1997 Endelman
5,885,197 A 3/1999 Barton
5,967,955 A 10/1999 Westfall
6,179,753 B1 1/2001 Barker
7,104,937 B2 * 9/2006 Arbuckle A63B 23/0405

FIG. 1 is a perspective view of an exercise machine showing the claimed design;
FIG. 2 is a front view thereof;
FIG. 3 is a rear view thereof;
FIG. 4 is a right view thereof;
FIG. 5 is a left view thereof;
FIG. 6 is a top view thereof; and,
FIG. 7 is a bottom view thereof.
The broken line portions of the drawings are included to show unclaimed subject matter and form no part of the claimed design.

1 Claim, 6 Drawing Sheets



(56)

References Cited

U.S. PATENT DOCUMENTS

9,072,931 B2	7/2015	Lagree	10,478,663 B2	11/2019	Lagree
9,119,989 B1	9/2015	Lagree	10,486,017 B1	11/2019	Lagree
9,138,606 B2	9/2015	Lagree	10,493,321 B2	12/2019	Lagree
9,211,440 B2	12/2015	Lagree	10,500,441 B2	12/2019	Lagree
9,283,422 B2	3/2016	Lagree	10,518,125 B2 *	12/2019	Janowski A63B 22/0076
9,370,679 B2	6/2016	Lagree	10,518,127 B2	12/2019	Lagree
9,393,454 B2	7/2016	Lagree	10,549,140 B2	2/2020	Lagree
D764,606 S	8/2016	Lagree	10,561,896 B2	2/2020	Lagree
9,415,253 B2	8/2016	Lagree	10,569,118 B2	2/2020	Lagree
9,457,216 B2	10/2016	Lagree	10,603,546 B1	3/2020	Lagree
9,457,225 B2	10/2016	Lagree	10,695,645 B1	6/2020	Lagree
9,474,924 B2	10/2016	Lagree	10,702,730 B2	7/2020	Lagree
9,474,926 B1	10/2016	Lagree	10,702,760 B2	7/2020	Lagree
9,474,927 B2	10/2016	Lagree	10,716,964 B1	7/2020	Lagree
D772,992 S	11/2016	Lagree	10,744,370 B1	8/2020	Lagree
9,498,667 B1	11/2016	Lagree	10,751,600 B2	8/2020	Lagree
9,517,375 B2	12/2016	Lagree	10,780,307 B2	9/2020	Lagree
9,522,299 B2	12/2016	Lagree	10,792,528 B1	10/2020	Lagree
9,533,184 B1	1/2017	Lagree	10,792,538 B2	10/2020	Lagree
9,533,185 B1	1/2017	Lagree	10,835,775 B1 *	11/2020	Lagree A63B 21/023
9,545,535 B2	1/2017	Lagree	10,850,155 B2	12/2020	Lagree
9,555,282 B1	1/2017	Lagree	10,850,158 B2	12/2020	Lagree
9,579,536 B1	2/2017	Lagree	10,857,418 B2	12/2020	Lagree
9,579,555 B2	2/2017	Lagree	10,857,420 B2	12/2020	Lagree
9,586,081 B2	3/2017	Lagree	10,864,399 B2	12/2020	Lagree
9,586,089 B2	3/2017	Lagree	10,870,034 B2	12/2020	Lagree
9,597,545 B1	3/2017	Lagree	10,881,896 B2	1/2021	Lagree
9,604,095 B1	3/2017	Lagree	10,912,982 B2	2/2021	Lagree
9,604,097 B1	3/2017	Lagree	10,926,127 B1	2/2021	Lagree
D785,104 S	4/2017	Lagree	D914,812 S *	3/2021	Campanaro D21/674
9,643,051 B1	5/2017	Lagree	10,940,358 B2	3/2021	Lagree
9,649,526 B2	5/2017	Lagree	10,940,359 B2	3/2021	Lagree
9,649,527 B1	5/2017	Lagree	10,946,230 B2	3/2021	Lagree
D788,861 S *	6/2017	Campanaro D21/674	10,957,218 B1	3/2021	Lagree
D789,463 S	6/2017	Lagree	10,974,089 B1	4/2021	Lagree
9,700,754 B2	7/2017	Lagree	10,974,092 B2	4/2021	Lagree
9,717,945 B2	8/2017	Lagree	10,994,168 B2	5/2021	Lagree
9,744,395 B1	8/2017	Lagree	11,000,727 B2	5/2021	Lagree
9,776,043 B2	10/2017	Lagree	11,020,627 B1	6/2021	Lagree
9,776,062 B2	10/2017	Lagree	11,040,234 B2	6/2021	Lagree
9,789,354 B2	10/2017	Lagree	D933,764 S *	10/2021	Modeste D21/690
9,808,664 B2	11/2017	Lagree	D946,094 S *	3/2022	Lagree D21/686
9,849,330 B2	12/2017	Lagree	D959,580 S *	8/2022	Lagree D21/686
9,868,009 B2	1/2018	Lagree	11,446,540 B2 *	9/2022	Lagree A63B 22/203
9,868,010 B2	1/2018	Lagree	11,456,623 B2 *	9/2022	Lagree A63B 22/0089
9,868,011 B2	1/2018	Lagree	11,465,011 B1 *	10/2022	Lagree A63B 21/068
9,868,018 B2	1/2018	Lagree	D977,041 S *	1/2023	Lagree D21/686
9,868,019 B2	1/2018	Lagree	2001/0056011 A1	12/2001	Endelman
9,914,014 B2	3/2018	Lagree	2003/0119635 A1	6/2003	Arbuckle
9,962,573 B2	5/2018	Lagree	2005/0130810 A1	6/2005	Sands
9,962,592 B2	5/2018	Lagree	2005/0164856 A1	7/2005	Parmater
9,981,156 B2	5/2018	Lagree	2006/0046914 A1	3/2006	Endelman
10,016,655 B2	7/2018	Lagree	2006/0199712 A1	9/2006	Barnard
10,022,577 B2	7/2018	Lagree	2008/0070765 A1	3/2008	Brown
10,022,581 B2	7/2018	Lagree	2008/0248935 A1	10/2008	Solow
10,029,141 B2	7/2018	Lagree	2010/0227748 A1	9/2010	Campanaro
10,046,193 B1	8/2018	Aronson	2011/0143898 A1	6/2011	Trees
10,052,518 B2	8/2018	Lagree	2011/0166002 A1	7/2011	Savsek
10,065,069 B1	9/2018	Lagree	2011/0172069 A1	7/2011	Gerschefske
10,109,216 B2	10/2018	Lagree	2012/0295771 A1	11/2012	Lagree
10,118,067 B2	11/2018	Lagree	2013/0196835 A1	8/2013	Solow
10,124,232 B2	11/2018	Lagree	2014/0011645 A1	1/2014	Johnson
10,143,882 B2	12/2018	Lagree	2014/0100089 A1	4/2014	Kernath
10,150,003 B2	12/2018	Lagree	2014/0121076 A1	5/2014	Lagree
10,155,129 B2	12/2018	Lagree	2014/0121078 A1	5/2014	Lagree
10,201,724 B2	2/2019	Lagree	2014/0121079 A1	5/2014	Lagree
10,213,641 B2	2/2019	Lagree	2014/0141948 A1	5/2014	Aronson
10,220,244 B2	3/2019	Lagree	2015/0024914 A1	1/2015	Lagree
10,238,910 B2	3/2019	Lagree	2015/0057127 A1	2/2015	Lagree
10,265,573 B2	4/2019	Lagree	2015/0065318 A1	3/2015	Lagree
10,272,285 B2	4/2019	Lagree	2015/0065320 A1 *	3/2015	Anderson A63B 21/156
10,279,207 B2	5/2019	Lagree	2015/0072841 A1	3/2015	Lagree
10,300,328 B2	5/2019	Lagree	2015/0141204 A1	5/2015	Lagree
10,369,398 B2	8/2019	Lagree	2015/0217164 A1	8/2015	Lagree
10,478,656 B2 *	11/2019	Lagree A63B 21/4033	2015/0220523 A1	8/2015	Lagree
			2015/0246263 A1	9/2015	Campanaro
			2015/0297944 A1	10/2015	Lagree
			2015/0343250 A1	12/2015	Lagree
			2015/0360068 A1	12/2015	Lagree

(56)

References Cited

U.S. PATENT DOCUMENTS

2015/0360083 A1 12/2015 Lagree
 2015/0360113 A1 12/2015 Lagree
 2015/0364058 A1 12/2015 Lagree
 2015/0367166 A1 12/2015 Lagree
 2016/0008657 A1 1/2016 Lagree
 2016/0059060 A1 3/2016 Lagree
 2016/0059061 A1 3/2016 Lagree
 2016/0096059 A1 4/2016 Lagree
 2016/0166870 A1 6/2016 Lagree
 2016/0193496 A1 7/2016 Lagree
 2016/0256733 A1 9/2016 Lagree
 2016/0271452 A1 9/2016 Lagree
 2016/0317858 A1 11/2016 Lagree
 2016/0346593 A1 12/2016 Lagree
 2016/0361602 A1 12/2016 Lagree
 2017/0014664 A1 1/2017 Lagree
 2017/0014672 A1 1/2017 Lagree
 2017/0036057 A1 2/2017 Lagree
 2017/0036061 A1 2/2017 Lagree
 2017/0043210 A9 2/2017 Lagree
 2017/0065846 A1 3/2017 Lagree
 2017/0072252 A1 3/2017 Lagree
 2017/0087397 A1 3/2017 Lagree
 2017/0100625 A1 4/2017 Lagree
 2017/0100629 A1 4/2017 Lagree
 2017/0106232 A1 4/2017 Lagree
 2017/0113091 A1 4/2017 Lagree
 2017/0120101 A1 5/2017 Lagree
 2017/0144013 A1 5/2017 Lagree
 2017/0157452 A1 6/2017 Lagree
 2017/0157458 A1 6/2017 Lagree
 2017/0165518 A1 6/2017 Lagree
 2017/0165555 A1 6/2017 Lagree
 2017/0189740 A1 7/2017 Lagree
 2017/0189741 A1 7/2017 Lagree
 2017/0209728 A1 7/2017 Lagree
 2017/0239526 A1 8/2017 Lagree
 2017/0246491 A1 8/2017 Lagree
 2017/0246499 A1 8/2017 Lagree
 2017/0296865 A1 10/2017 Lagree
 2017/0304673 A1 10/2017 Lagree
 2017/0326406 A1 11/2017 Lagree
 2017/0340947 A1 11/2017 Lagree
 2017/0354840 A1 12/2017 Lagree
 2018/0015319 A1 1/2018 Lagree
 2018/0021621 A1 1/2018 Lagree
 2018/0021655 A1 1/2018 Lagree
 2018/0036583 A1 2/2018 Lagree
 2018/0056109 A1 3/2018 Lagree
 2018/0056133 A1 3/2018 Lagree
 2018/0111020 A1 4/2018 Lagree
 2018/0111033 A1 4/2018 Lagree
 2018/0117392 A1 5/2018 Lagree
 2018/0133532 A1 5/2018 Lagree
 2018/0133533 A1 5/2018 Lagree
 2018/0133534 A1 5/2018 Lagree
 2018/0133542 A1 5/2018 Lagree

2018/0178053 A1 6/2018 Lagree
 2018/0193691 A1 7/2018 Lagree
 2018/0250551 A1 9/2018 Lagree
 2018/0250573 A1 9/2018 Lagree
 2018/0272179 A1 9/2018 Lagree
 2018/0280782 A1 10/2018 Lagree
 2018/0318627 A1 11/2018 Lagree
 2018/0318646 A1 11/2018 Lagree
 2018/0326252 A1 11/2018 Lagree
 2018/0345067 A1* 12/2018 Ivy A63B 22/0046
 2018/0353803 A1 12/2018 Lagree
 2018/0361190 A1 12/2018 Lagree
 2018/0361197 A1 12/2018 Lagree
 2019/0083842 A1 3/2019 Lagree
 2019/0160320 A1 5/2019 Lagree
 2019/0160329 A1 5/2019 Lagree
 2019/0232105 A1 8/2019 Lagree
 2019/0240530 A1 8/2019 Lagree
 2019/0247694 A1 8/2019 Lagree
 2019/0247705 A1 8/2019 Lagree
 2019/0247707 A1 8/2019 Lagree
 2019/0255375 A1 8/2019 Lagree
 2019/0269961 A1 9/2019 Lagree
 2019/0314672 A1 10/2019 Lagree
 2019/0358484 A1 11/2019 Lagree
 2020/0030657 A1 1/2020 Lagree
 2020/0047051 A1 2/2020 Lagree
 2020/0054913 A1 2/2020 Lagree
 2020/0078630 A1 3/2020 Lagree
 2020/0078634 A1 3/2020 Lagree
 2020/0171337 A1 6/2020 Lagree
 2020/0222741 A1* 7/2020 Aronson A63B 21/00069
 2020/0230460 A1* 7/2020 Reinhardt A63B 21/0088
 2020/0353306 A1 11/2020 Lagree
 2020/0376326 A1 12/2020 Lagree
 2020/0376359 A1 12/2020 Lagree
 2021/0069542 A1 3/2021 Lagree
 2021/0069572 A1 3/2021 Lagree
 2021/0086023 A1 3/2021 Lagree
 2021/0101048 A1 4/2021 Lagree
 2021/0121734 A1 4/2021 Lagree
 2021/0154555 A1 5/2021 Lagree
 2021/0187343 A1 6/2021 Lagree
 2021/0187345 A1 6/2021 Lagree

OTHER PUBLICATIONS

“How To Attach FITT Gym Accessories” Aug. 14, 2020, Youtube, site visited Nov. 19, 2022: <https://www.youtube.com/watch?v=zz4gxhpYyr4> (Year: 2020).*

“Megaformer” Nov. 13, 2015, Youtube, site visited Nov. 19, 2022: <https://www.youtube.com/watch?v=2-yth-Y26us> (Year: 2015).*

“Introduction to the Microformer” Sep. 14, 2020, Youtube, site visited Mar. 16, 2023: <https://www.youtube.com/watch?v=9qqmbAjJJ4g> (Year: 2020).*

“30 Minute Total Body Megaformer Microformer Pilates Reformer Workout” May 16, 2020, Youtube, site visited Mar. 16, 2023: <https://www.youtube.com/watch?v=66xtb2d3MWQ> (Year: 2020).*

* cited by examiner

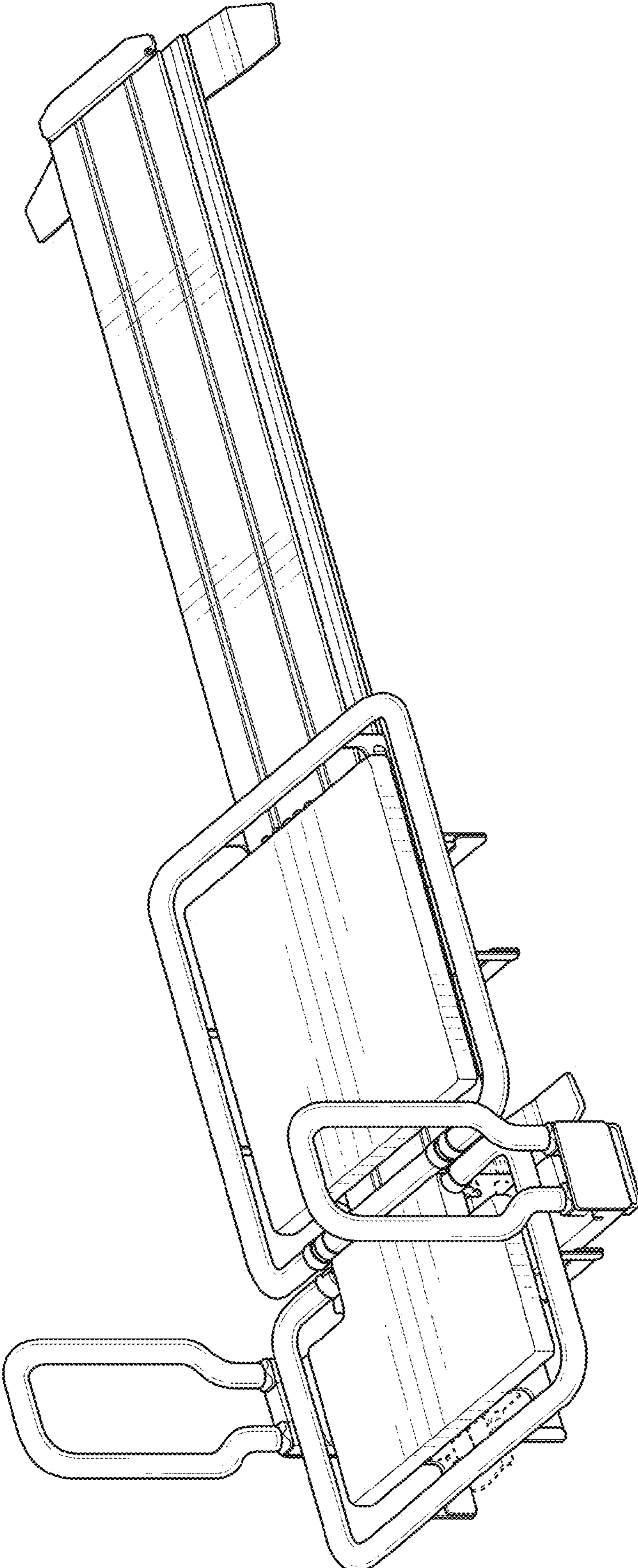


FIG. 1

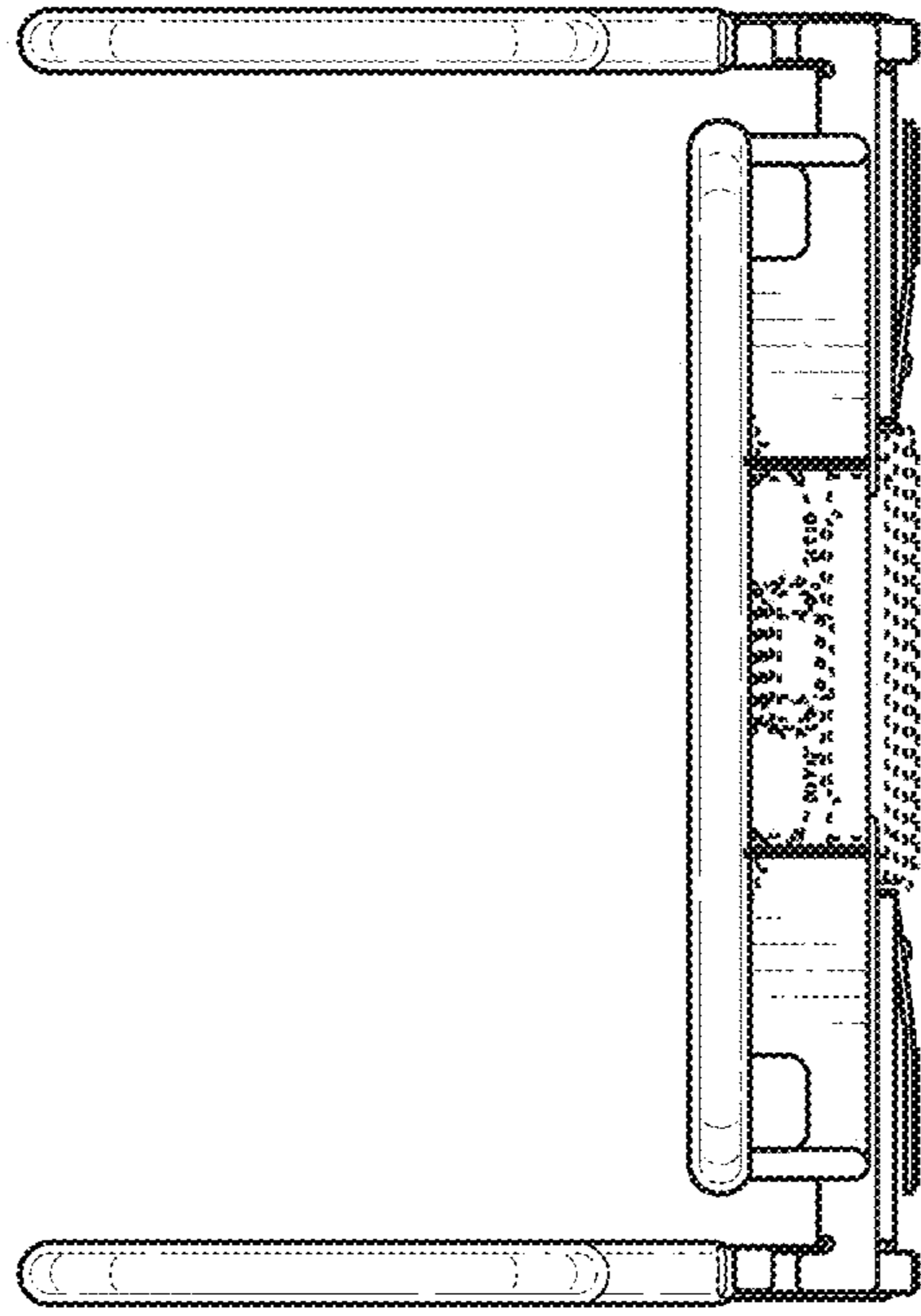


FIG. 3

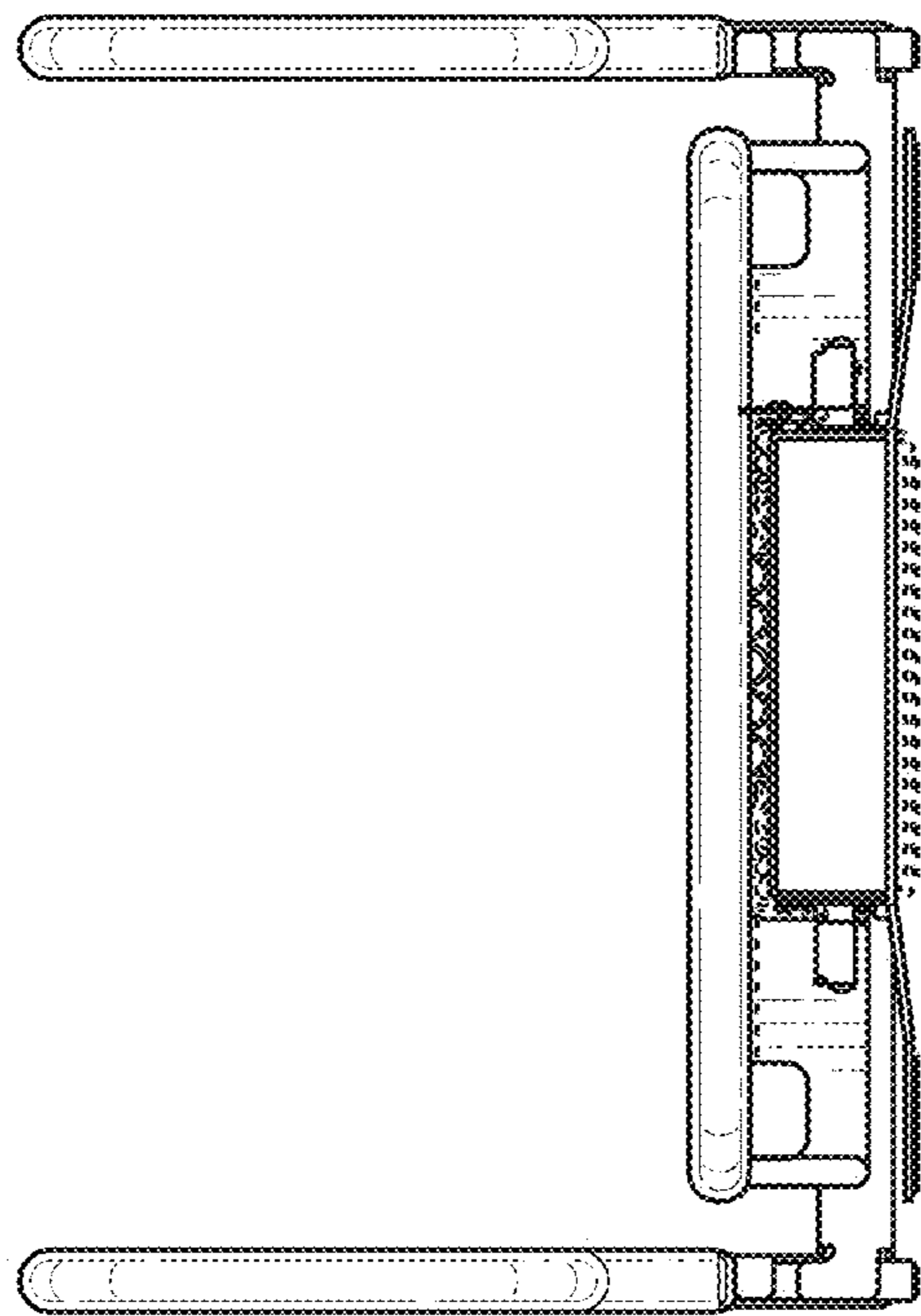


FIG. 2

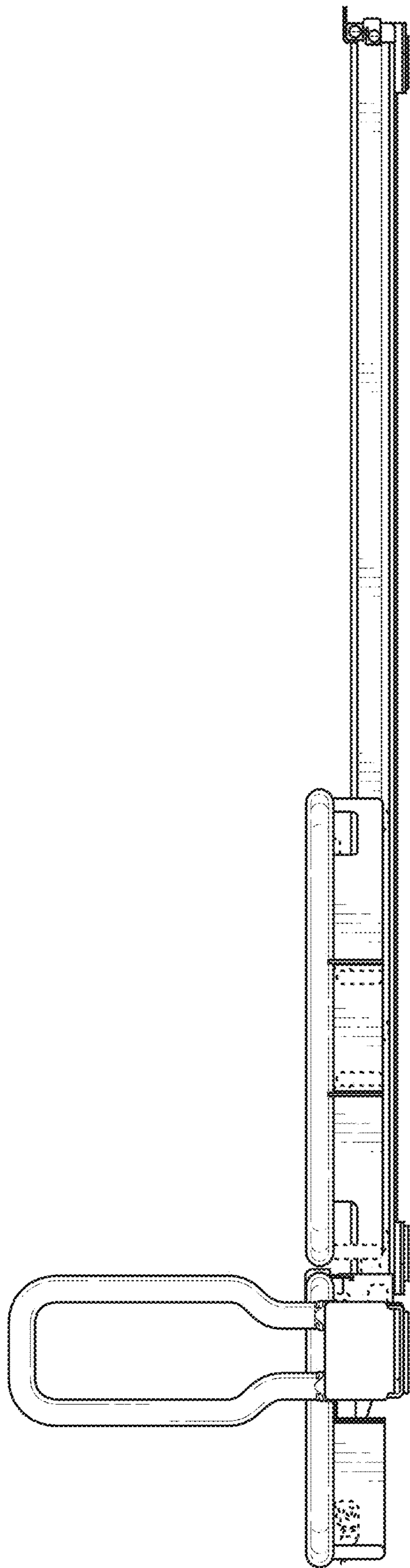


FIG. 4

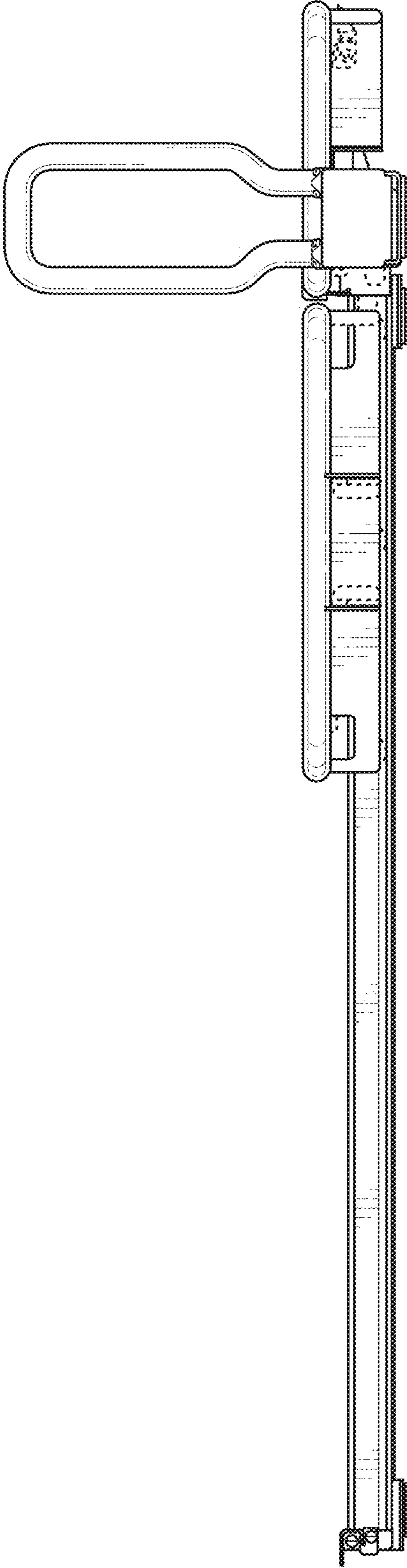


FIG. 5

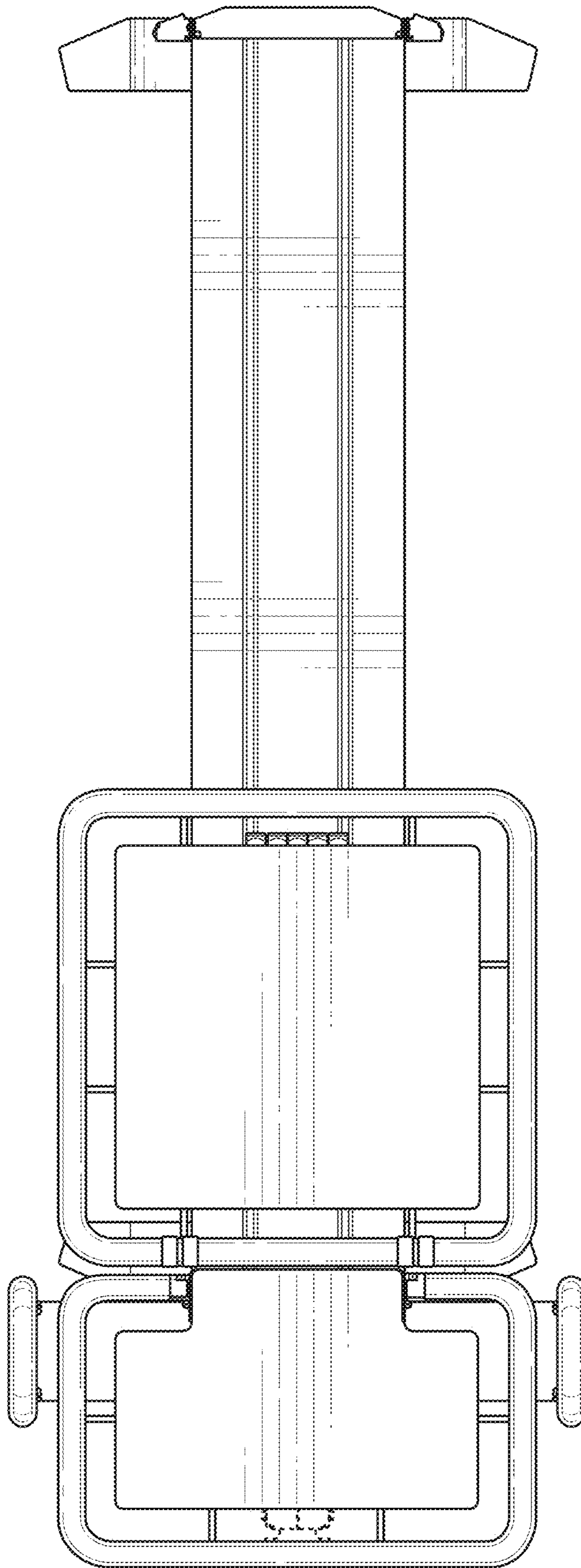


FIG. 6

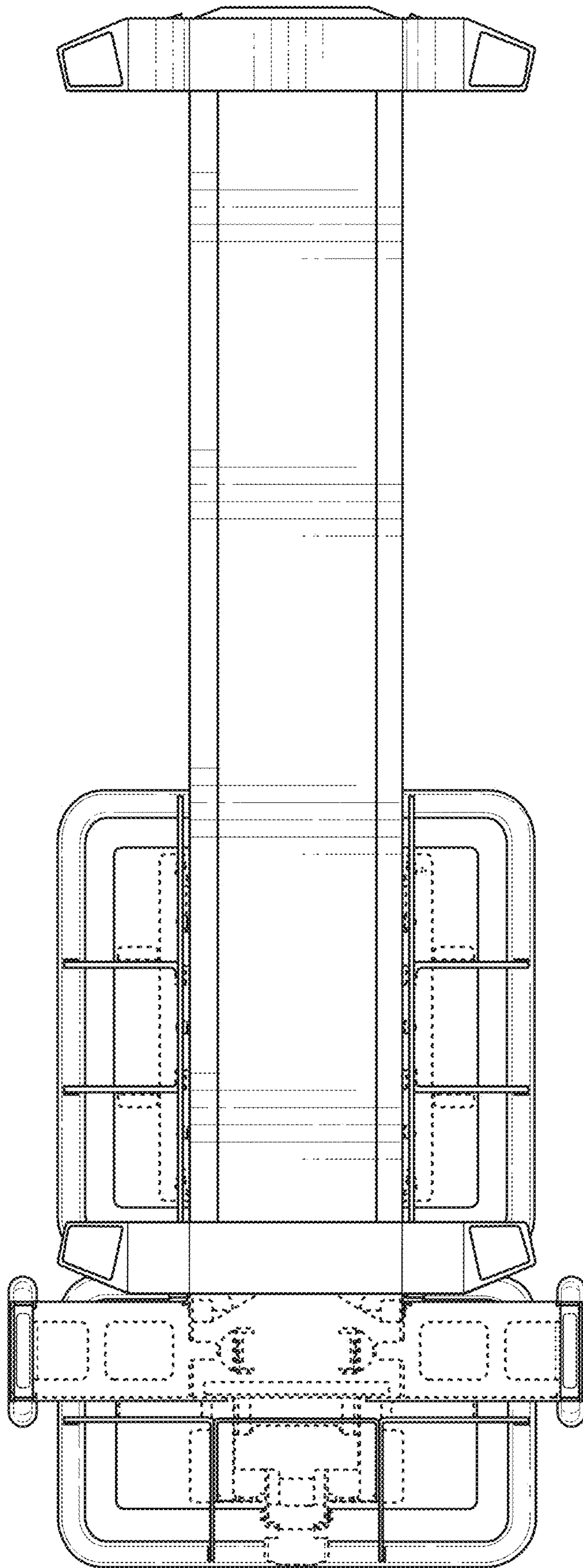


FIG. 7