



US00D993161S

(12) **United States Design Patent** (10) **Patent No.:** **US D993,161 S**  
**Prom et al.** (45) **Date of Patent:** **\*\* Jul. 25, 2023**

(54) **SOLAR STANCHION**

(56) **References Cited**

(71) Applicant: **Simply Solar**, Petaluma, CA (US)

U.S. PATENT DOCUMENTS

(72) Inventors: **Sambath Prom**, Petaluma, CA (US);  
**Jacob Hassid**, Petaluma, CA (US);  
**Sean Green**, Petaluma, CA (US)

D377,229 S \* 1/1997 Shalvi ..... D26/68  
6,682,055 B1 \* 1/2004 Tomlinson ..... E01F 9/70  
248/129  
9,279,554 B1 \* 3/2016 Wierzbinski ..... F21V 21/06  
D825,454 S \* 8/2018 Xing ..... D13/102  
D919,022 S \* 5/2021 Yang ..... D21/673

(73) Assignee: **Simply Solar**, Petaluma, CA (US)

\* cited by examiner

(\*\*) Term: **15 Years**

*Primary Examiner* — Derrick E Holland

(21) Appl. No.: **29/812,674**

(74) *Attorney, Agent, or Firm* — My Patent Guys;  
Christopher Pilling

(22) Filed: **Oct. 22, 2021**

(51) **LOC (14) Cl.** ..... **13-02**

(52) **U.S. Cl.**  
USPC ..... **D13/102**

(57) **CLAIM**

The ornamental design for a solar stanchion, as shown and described.

(58) **Field of Classification Search**

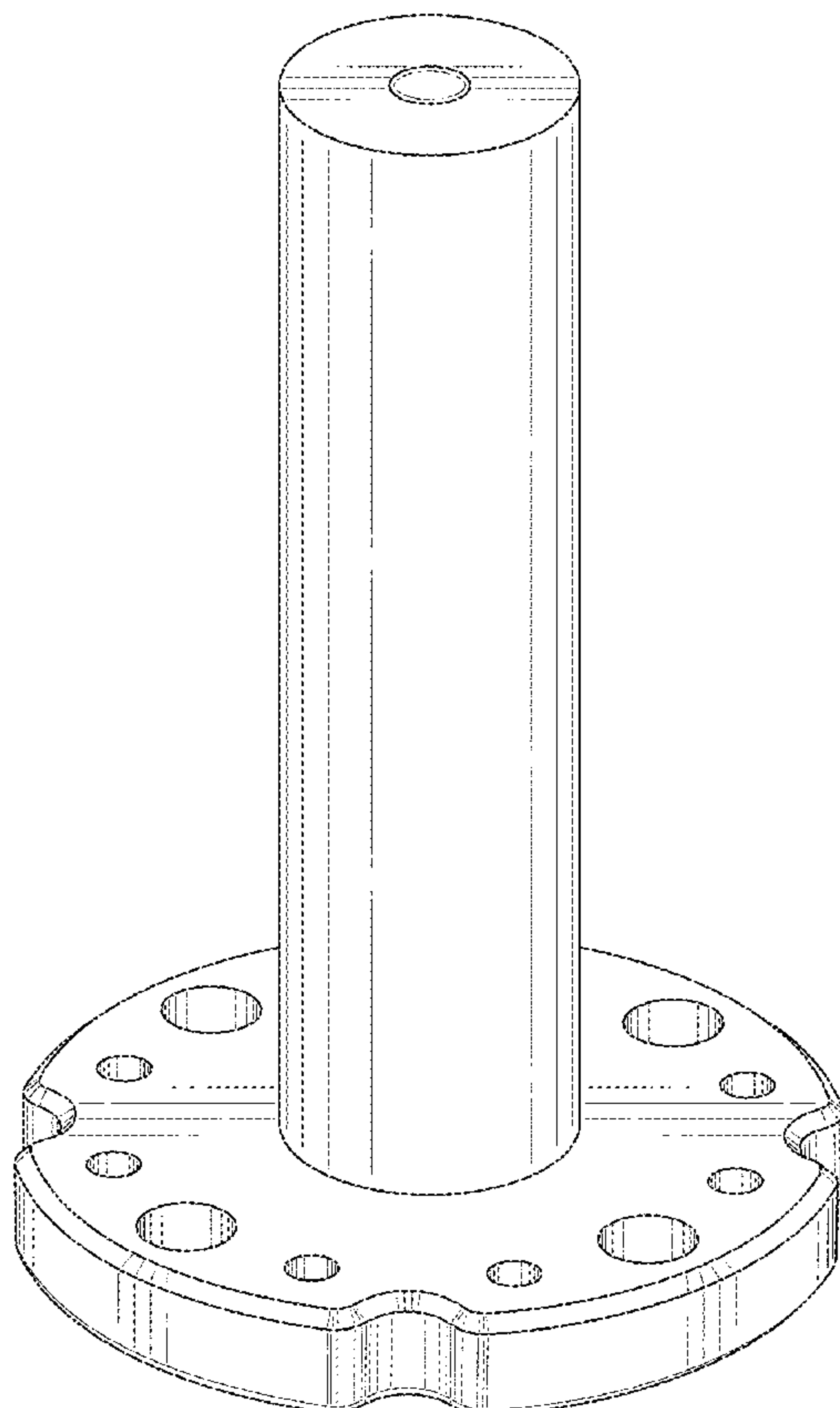
USPC ..... D13/102, 101, 103, 110, 118, 133, 182,  
D13/184, 199; D14/302, 307, 308, 349;  
D25/126; D26/68  
CPC ..... Y02E 10/40; Y02E 10/44; Y02E 10/50;  
Y02E 10/52; Y02E 10/542; Y02E 10/544;  
E04H 4/08; F24J 2/38; F24J 2/0472; F24J  
2/542; H01L 31/00; H01L 31/042; H01L  
31/045; H01L 31/048; H01L 31/049;  
H01L 31/052; H01L 31/184; H01L  
31/0232; H01L 31/0508; H01L 31/0512;  
H01L 31/0543; H01L 31/02013; H01L  
31/1876; H01L 51/0061; H02S 40/34;  
E01F 13/026

**DESCRIPTION**

FIG. 1 is a front, top perspective view of a new design for a solar stanchion in accordance with the present invention; FIG. 2 is a bottom perspective view thereof; FIG. 3 is a bottom view thereof; FIG. 4 is a top view thereof; and, FIG. 5 is a front view thereof, the rear view and side views are identical thereof.

See application file for complete search history.

**1 Claim, 5 Drawing Sheets**



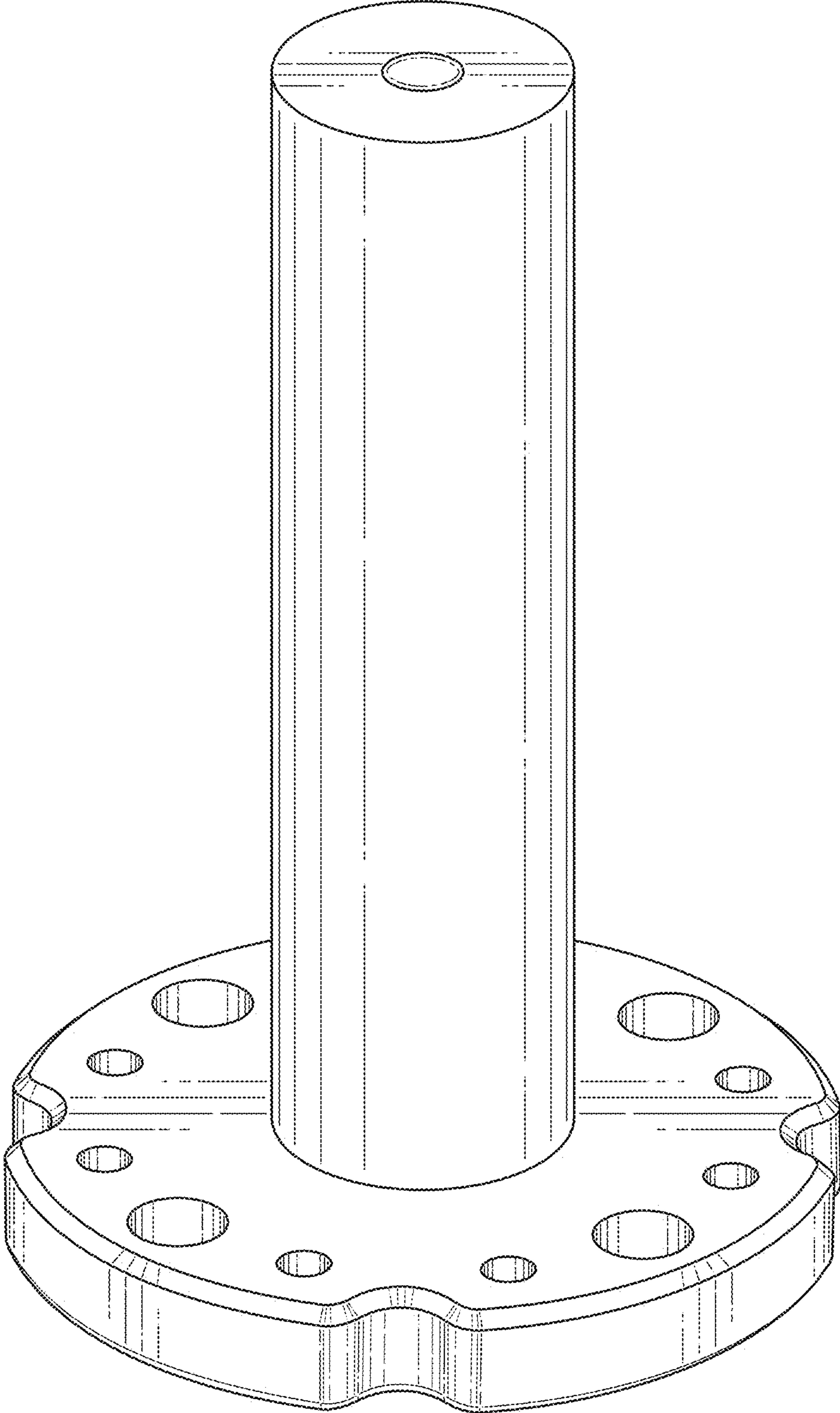


FIG. 1

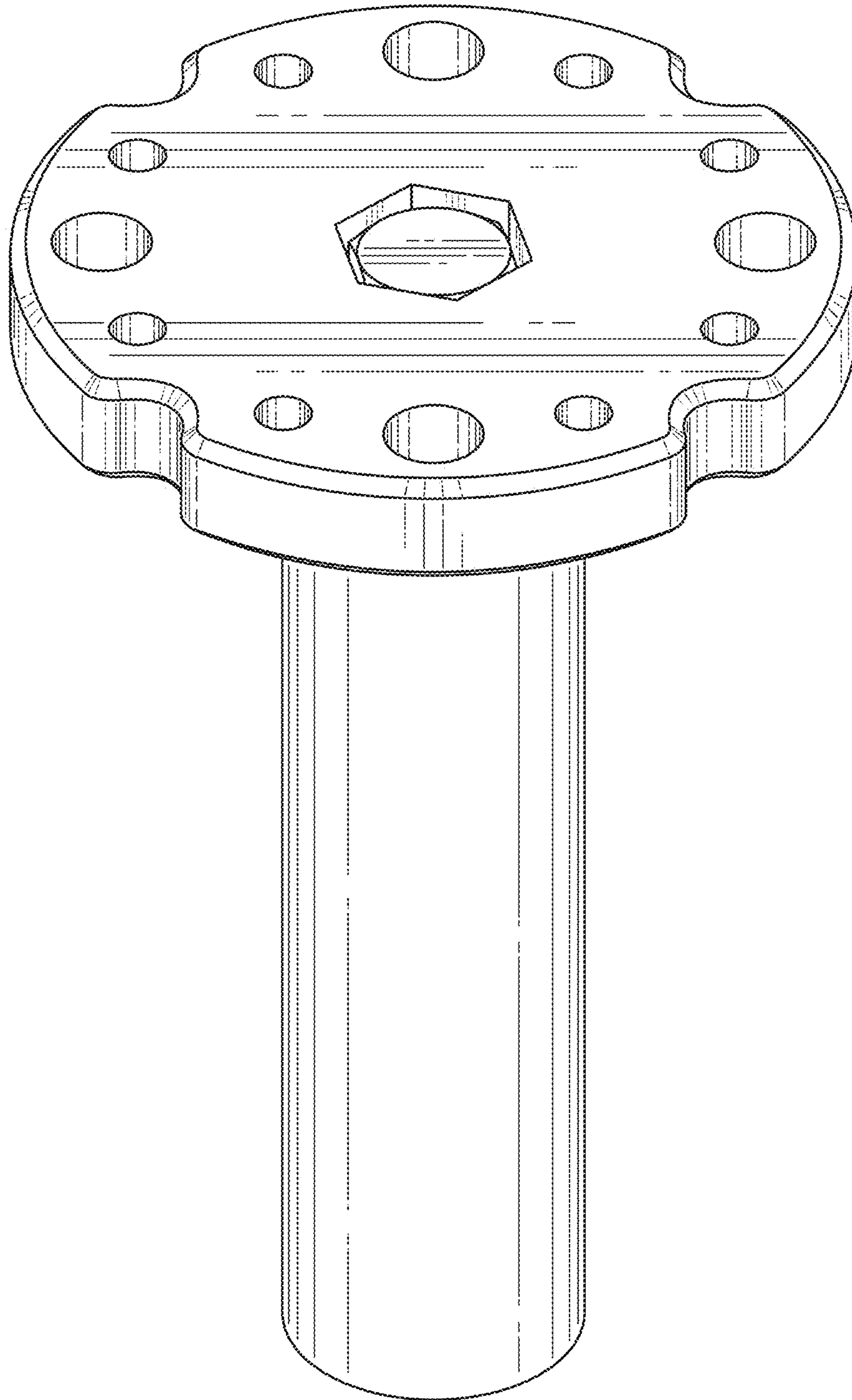


FIG. 2

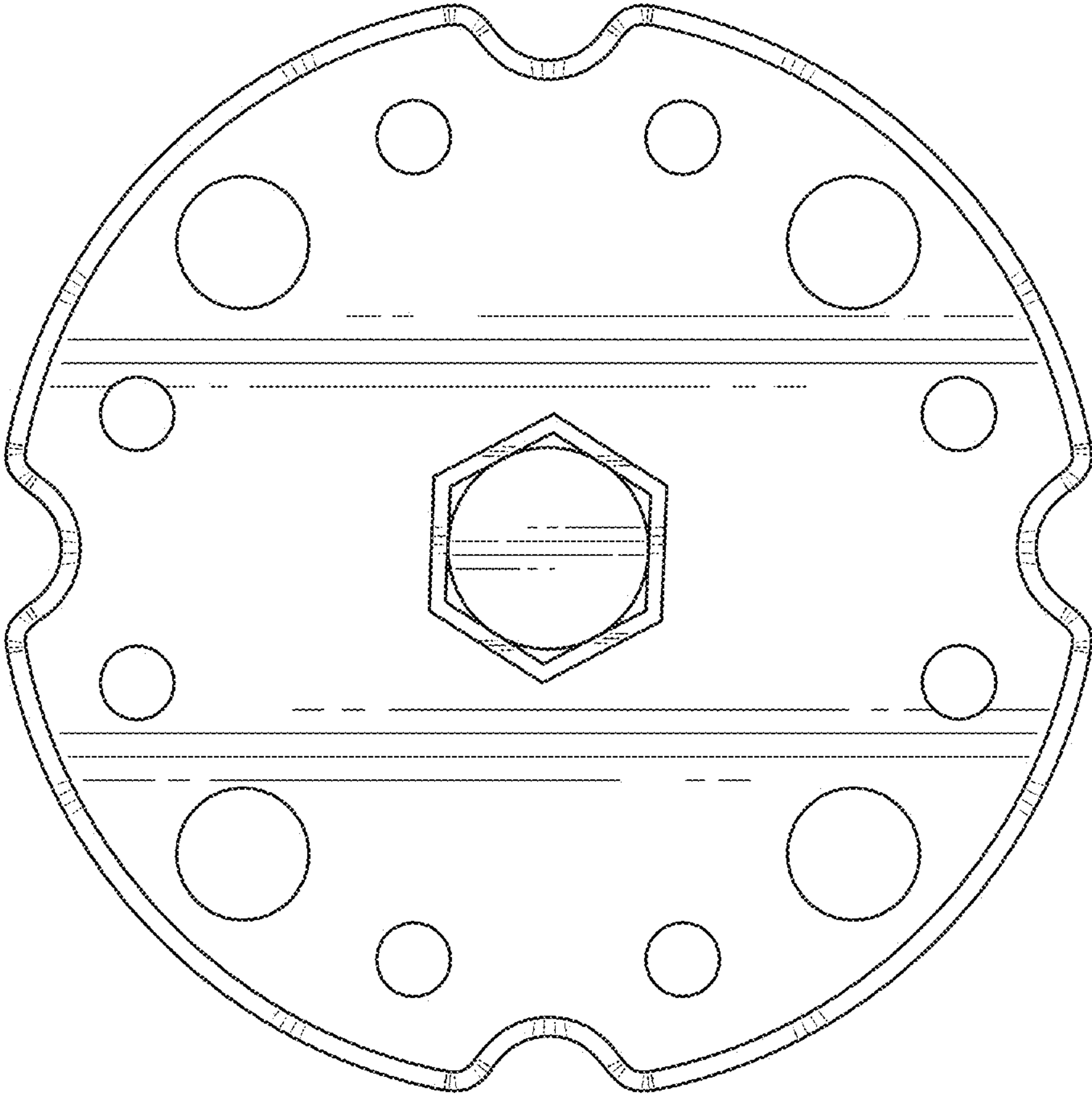


FIG. 3

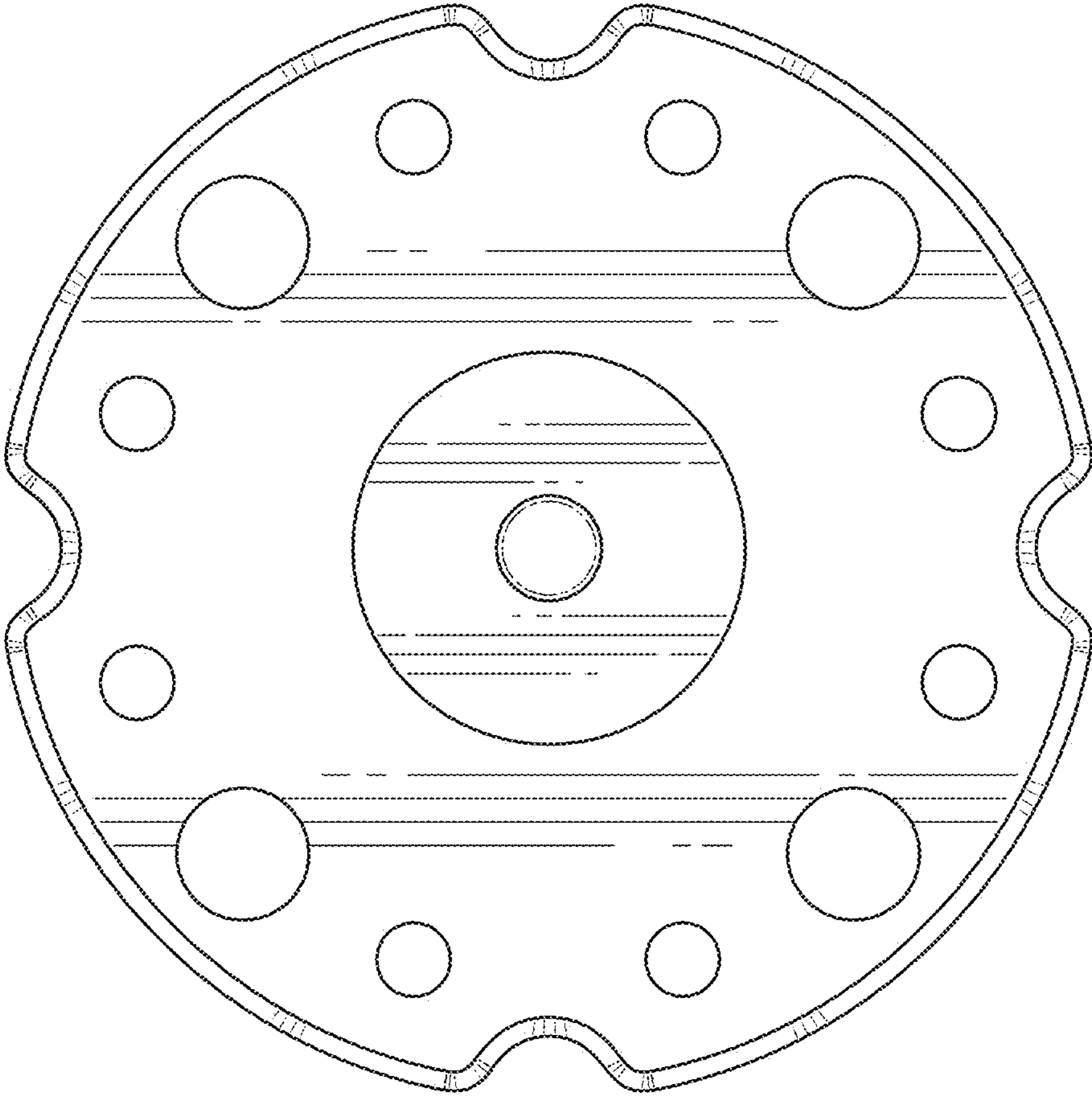


FIG. 4



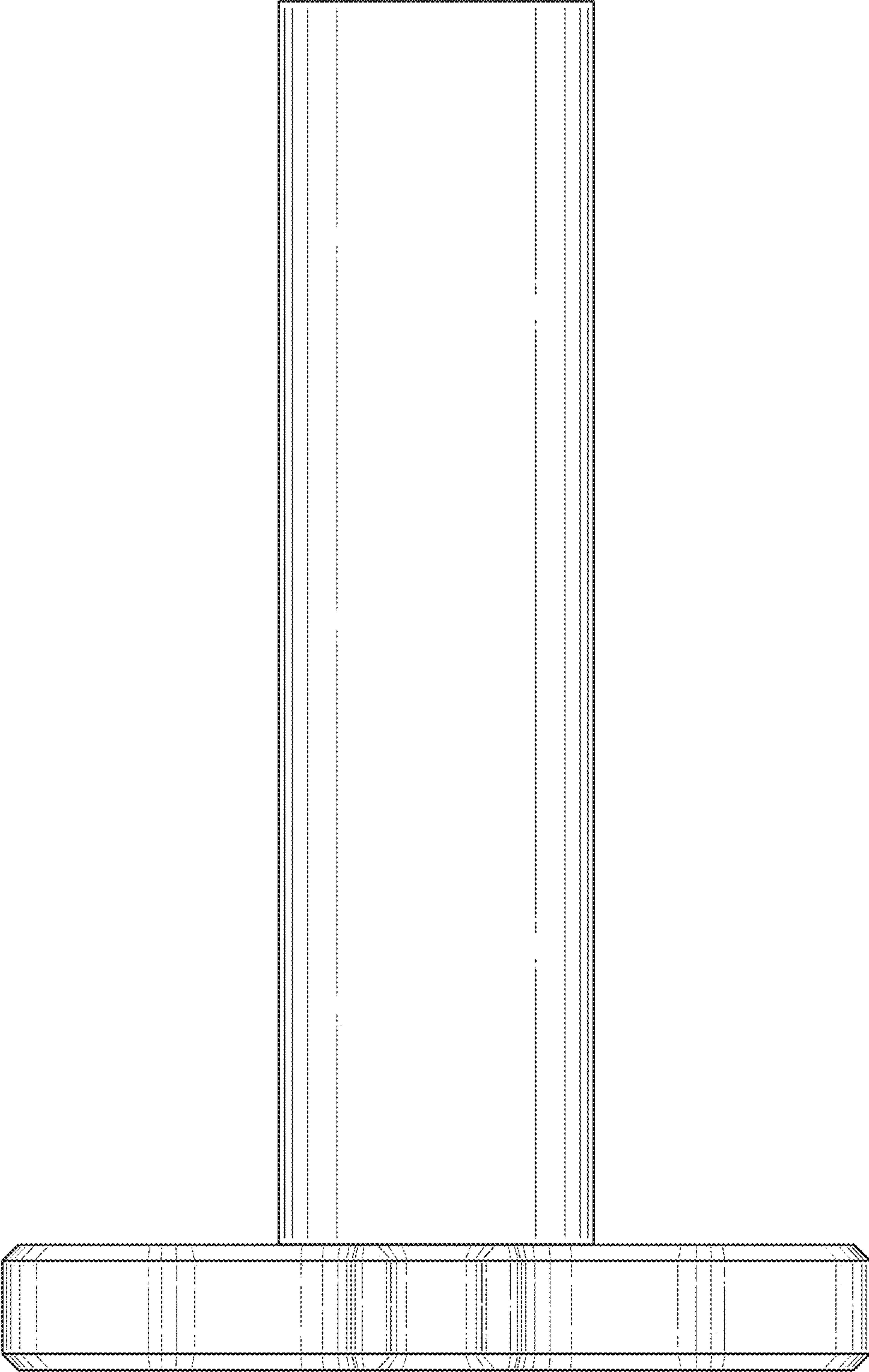


FIG. 5