



US00D993085S

(12) **United States Design Patent** (10) **Patent No.:** **US D993,085 S**
Sielaff (45) **Date of Patent:** **** Jul. 25, 2023**

(54) **MOTOR CAR BODY**
(71) Applicant: **Bentley Motors Limited**, Crewe (GB)
(72) Inventor: **Stefan Hans Sielaff**, Munich (DE)
(73) Assignee: **Bentley Motors Limited**, Crewe (GB)
(**) Term: **15 Years**
(21) Appl. No.: **29/800,850**
(22) Filed: **Jul. 23, 2021**

D824,295 S 7/2018 Donckerwolke
D825,386 S 8/2018 Donckerwolke
D835,004 S 12/2018 Donckerwolke
D859,215 S 9/2019 Gregory
(Continued)

FOREIGN PATENT DOCUMENTS

EM 001907098-0005 8/2011
EM 004164598-0004 8/2017

Primary Examiner — Melody N Brown

(74) *Attorney, Agent, or Firm* — Watts Law LLC; John A. Yirga, Esq.

Related U.S. Application Data

(62) Division of application No. 29/692,268, filed on May 23, 2019, now Pat. No. Des. 928,043.

Foreign Application Priority Data

(30) Nov. 23, 2018 (EM) 005833258
(51) **LOC (14) Cl.** **12-08**
(52) **U.S. Cl.**
USPC **D12/92**
(58) **Field of Classification Search**
USPC D12/86, 90–92, 164; D21/433, 434, 533,
D21/535; 296/181.1–181.5, 183.1
CPC B62D 25/00; B62D 25/06; B62D 33/00;
B62D 35/00
See application file for complete search history.

References Cited

U.S. PATENT DOCUMENTS

D558,642 S 1/2008 Van Braeckel
D574,752 S 8/2008 Van Braeckel
D658,545 S 5/2012 Van Braeckel
D662,865 S 7/2012 Van Braeckel
D753,031 S 4/2016 Van Braeckel
D758,248 S 6/2016 Donckerwolke
D782,367 S 3/2017 Donckerwolke
D811,939 S 3/2018 Lee

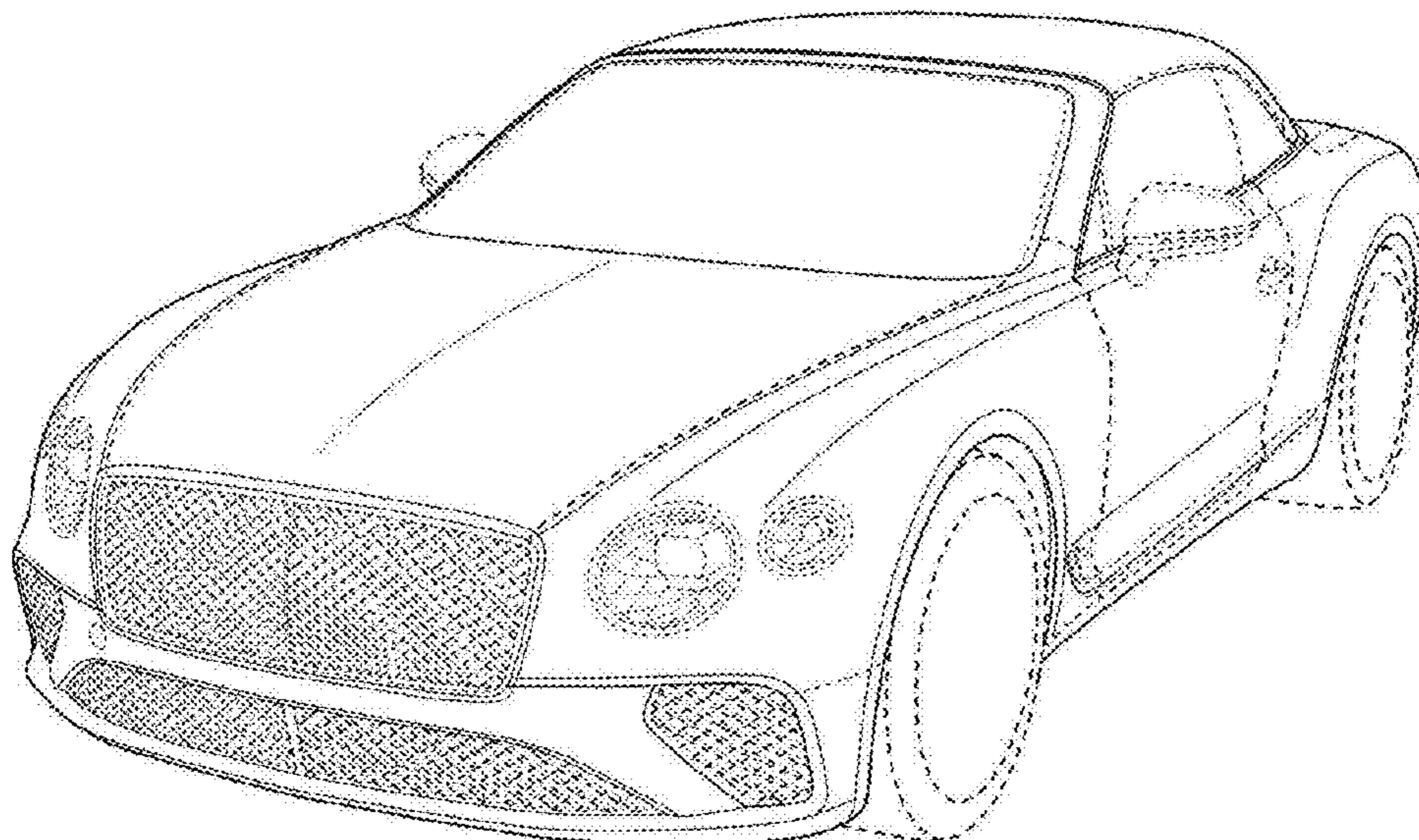
(57) **CLAIM**

The ornamental design for a motor car body, as shown and described.

DESCRIPTION

FIG. 1 is a front elevational view of a motor car body showing my new design;
FIG. 2 is a front perspective view thereof with the top in an upward position;
FIG. 3 is a top plan view thereof with a top in an upward position;
FIG. 4 is a rear elevation view thereof with the top in an upward position;
FIG. 5 is a rear perspective view thereof with the top in an upward position;
FIG. 6 is a right-side elevation view thereof with the top in an upward position;
FIG. 7 is a right-side elevation view thereof with the top in a downward position;
FIG. 8 is a left-side elevation view thereof with the top in an upward position; and,
FIG. 9 is a left-side elevation view thereof with the top in a downward position.
Those portions of the Figures shown in broken lines are for illustration only and form no part of the claimed design.

1 Claim, 9 Drawing Sheets



(56)

References Cited

U.S. PATENT DOCUMENTS

D859,235 S	9/2019	Gregory	
D859,236 S *	9/2019	Gregory D12/164
D928,039 S *	8/2021	Gregory D12/92
D928,043 S *	8/2021	Sielaff D12/164
D936,519 S *	11/2021	Gregory D12/92
D965,484 S *	10/2022	Gregory D12/164

* cited by examiner

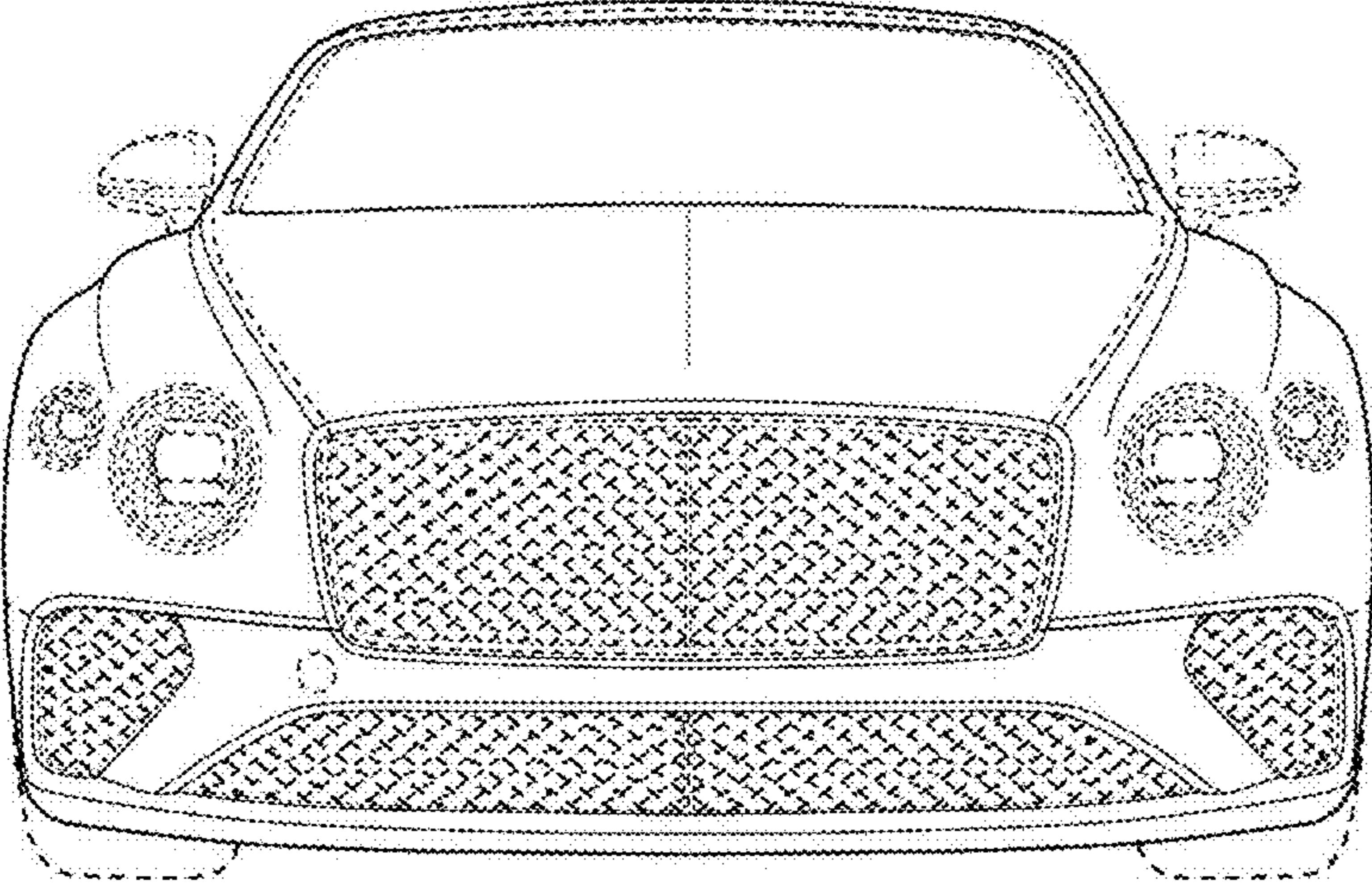


FIG. 1

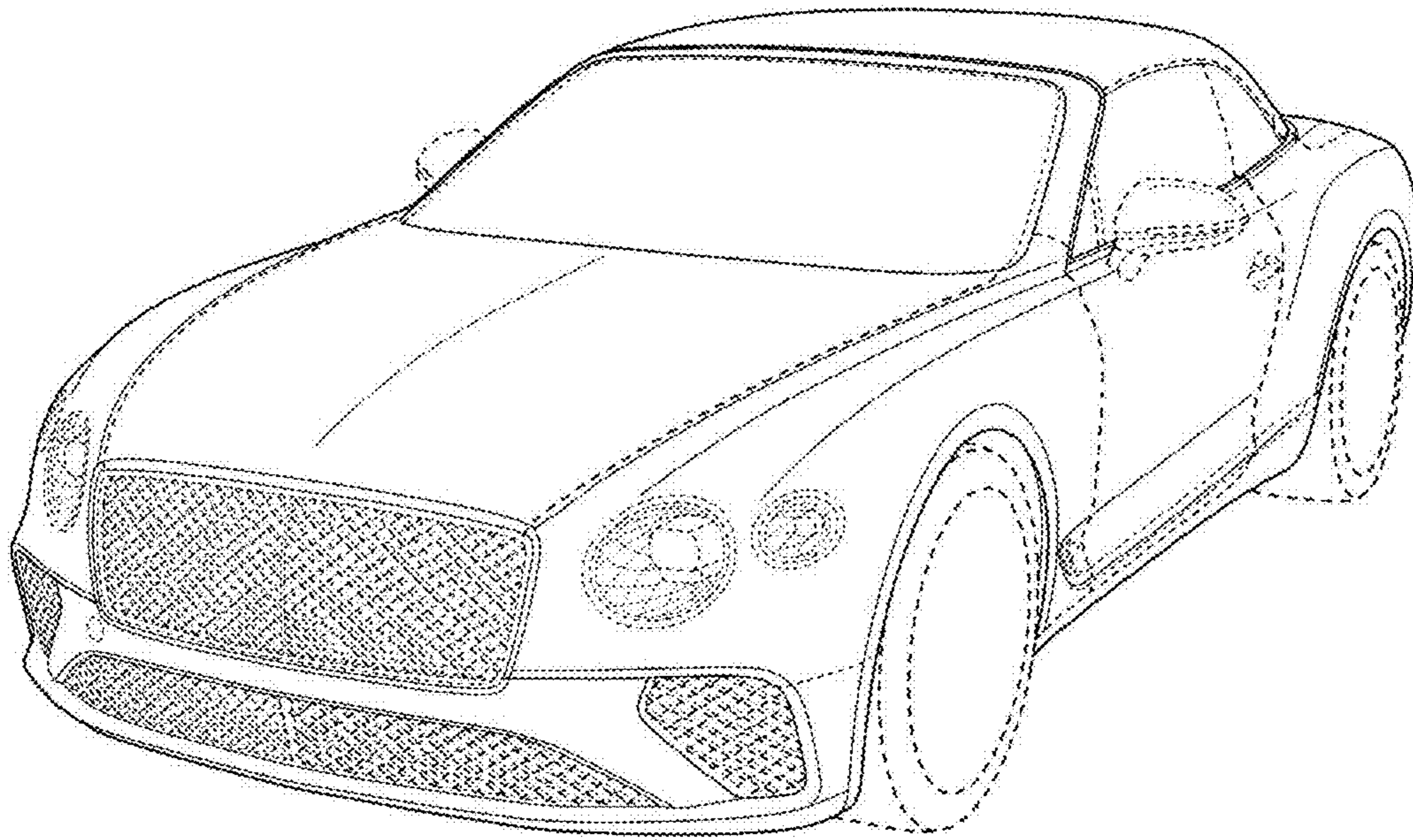


FIG. 2

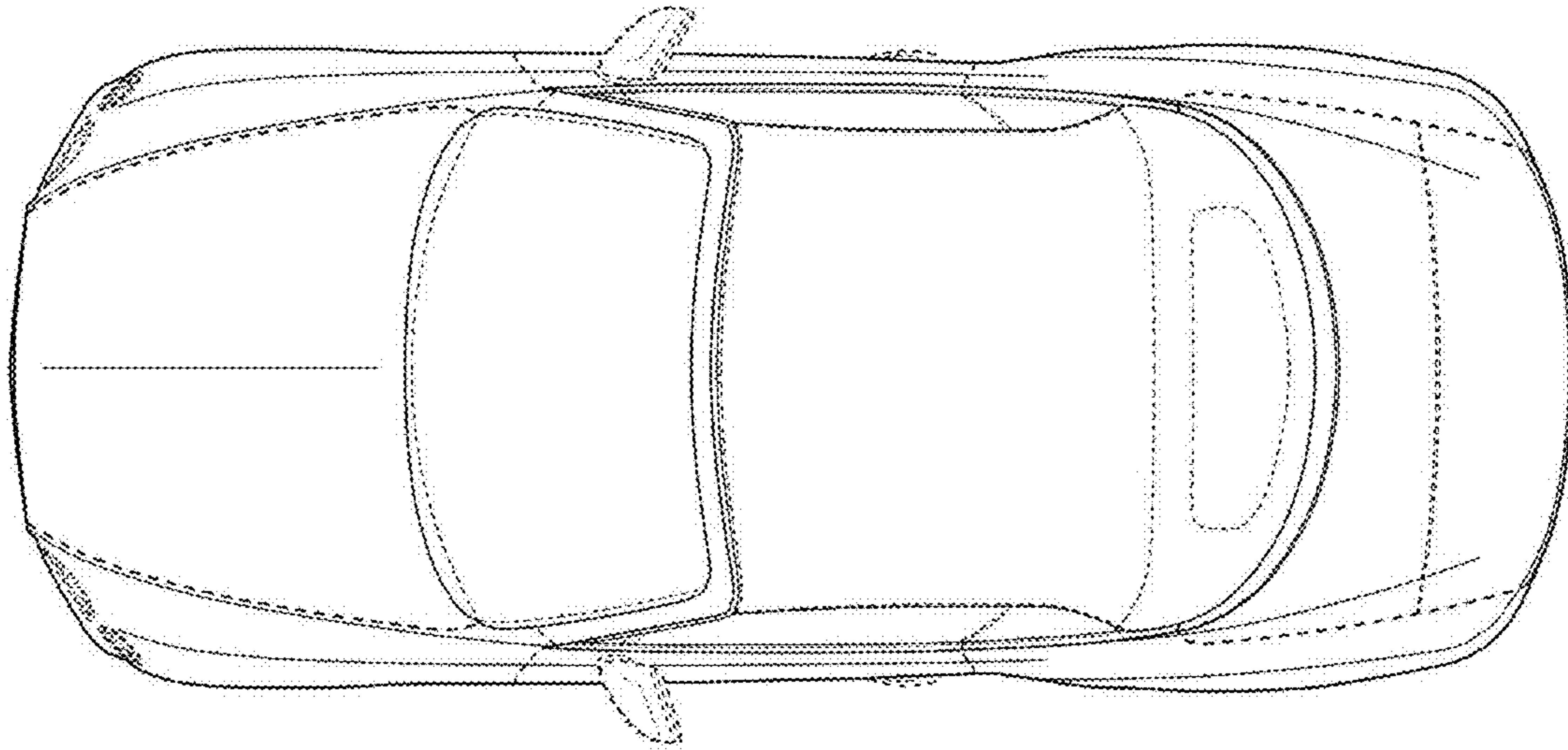


FIG. 3

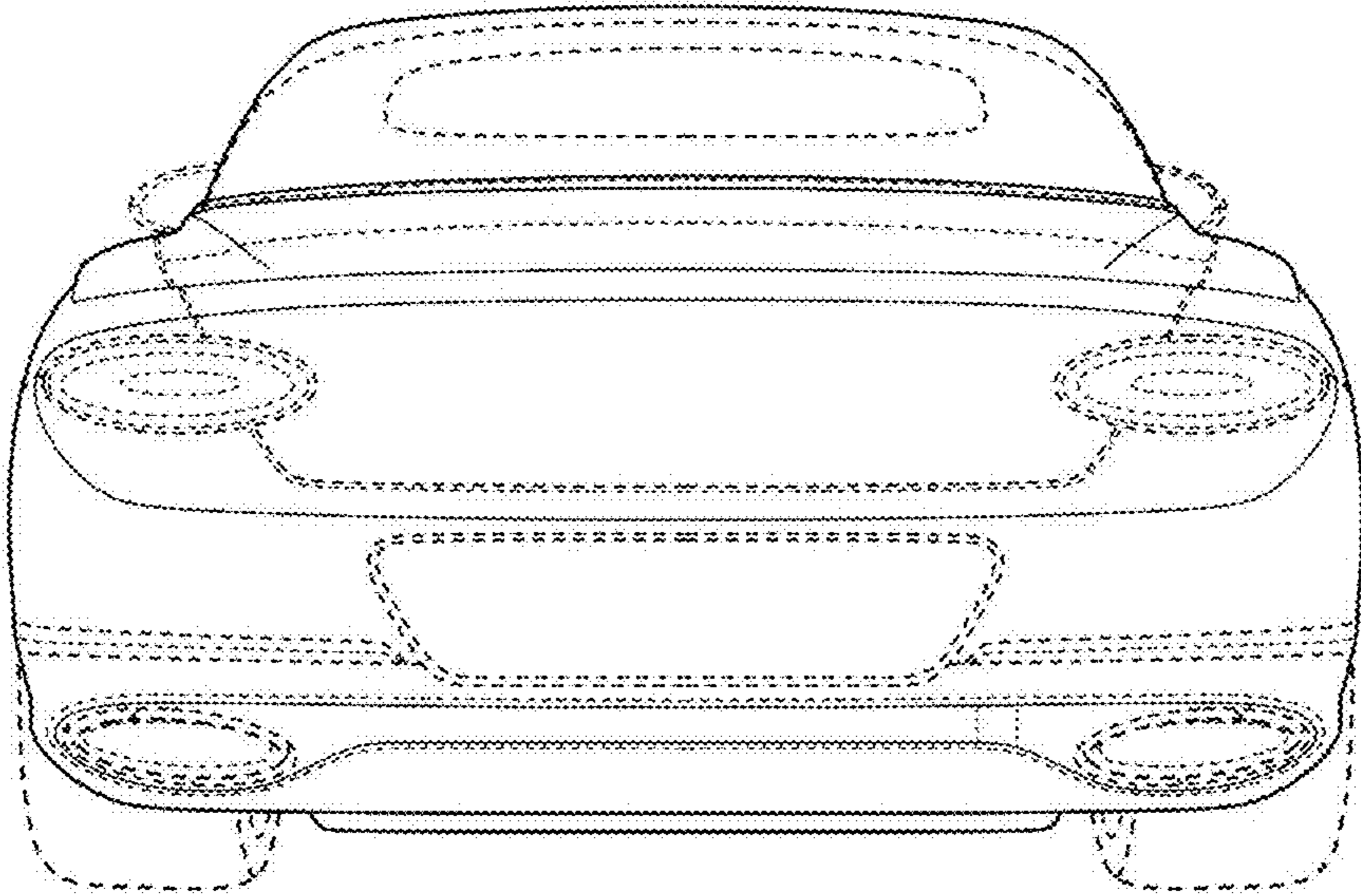


FIG. 4

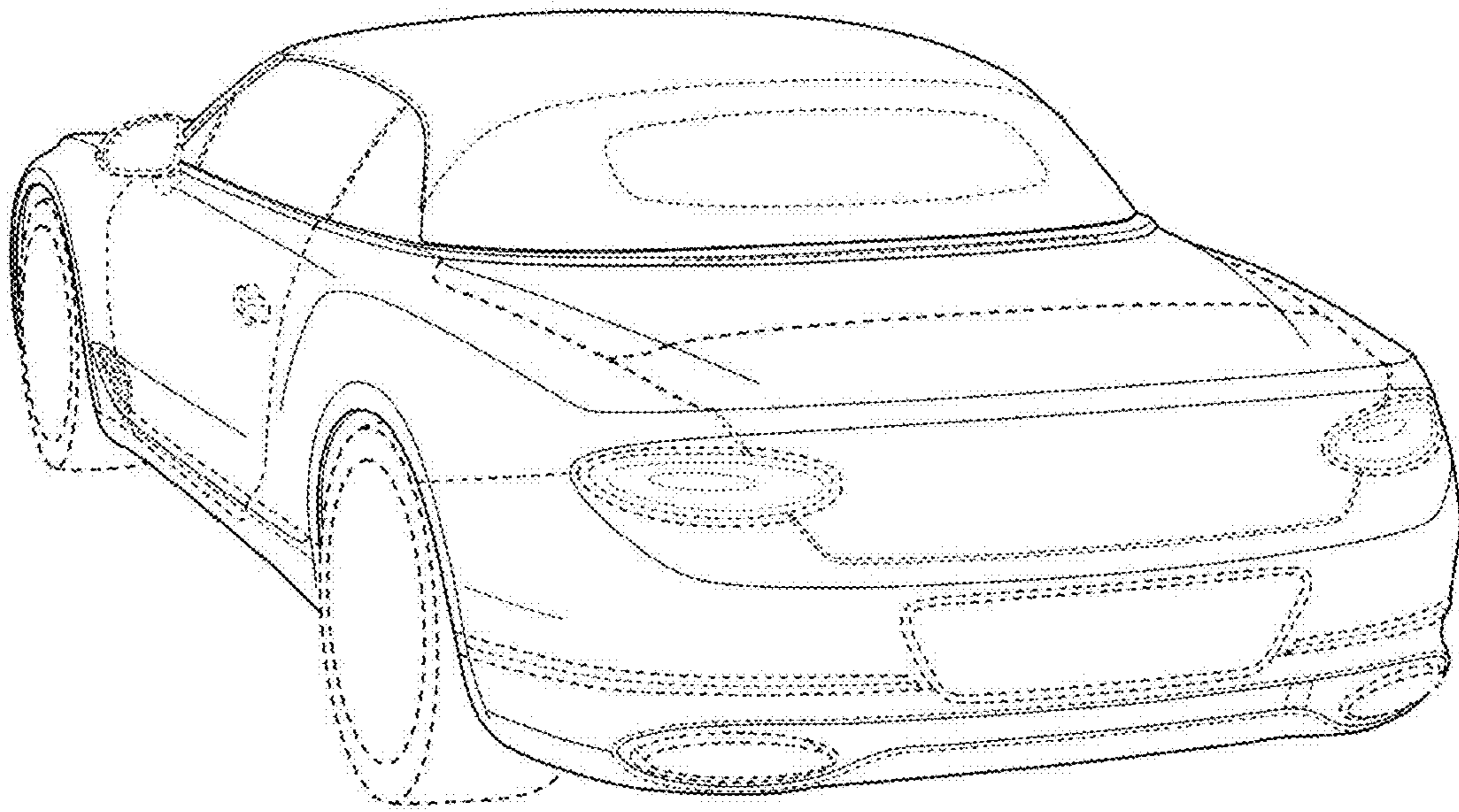


FIG. 5

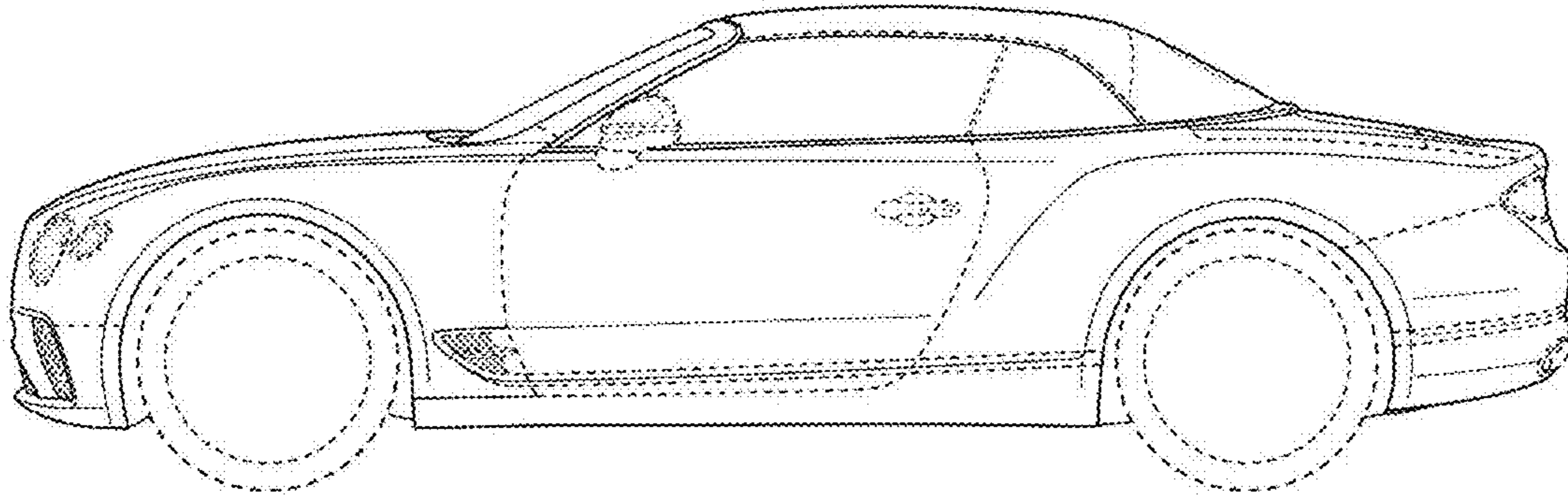


FIG. 6

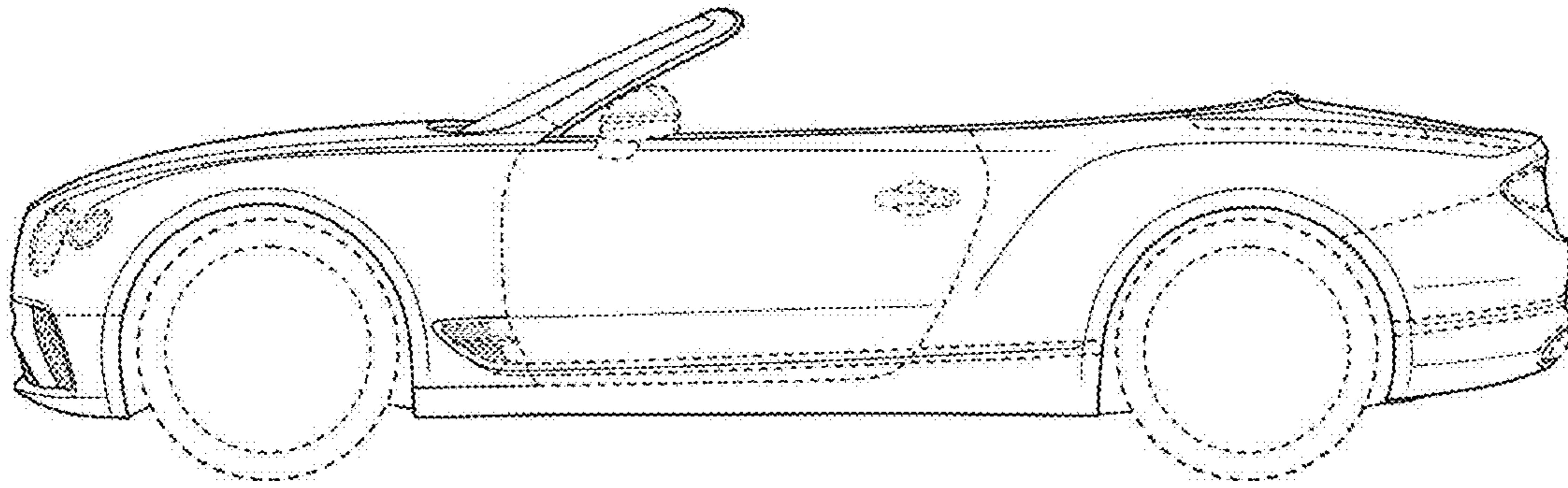


FIG. 7

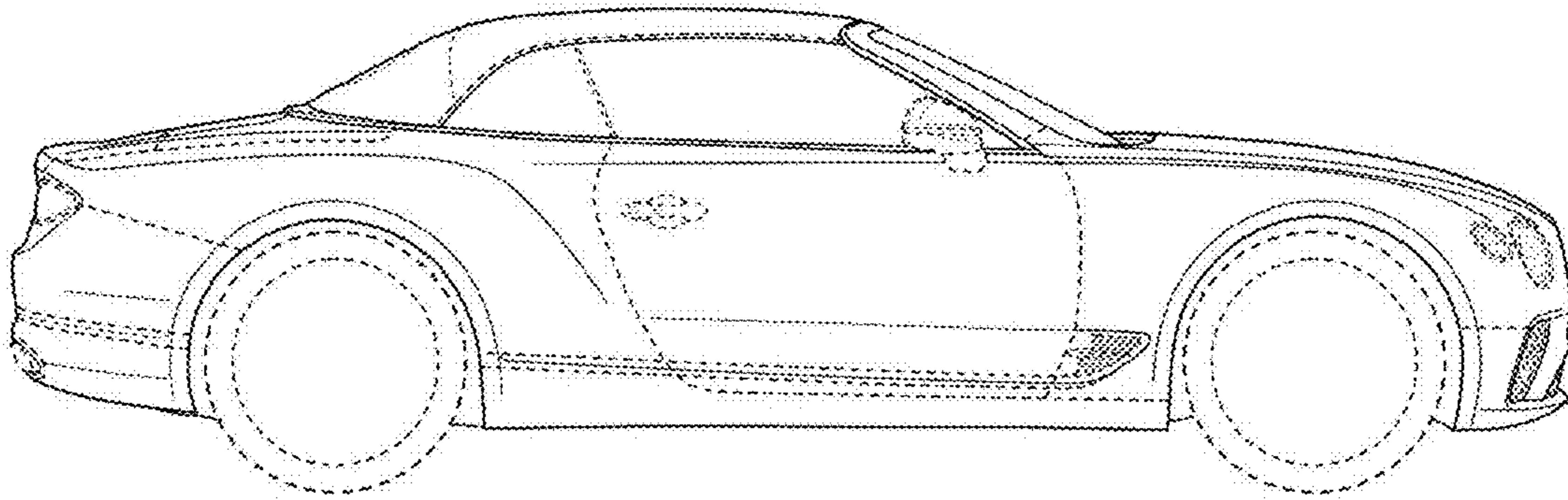


FIG. 8

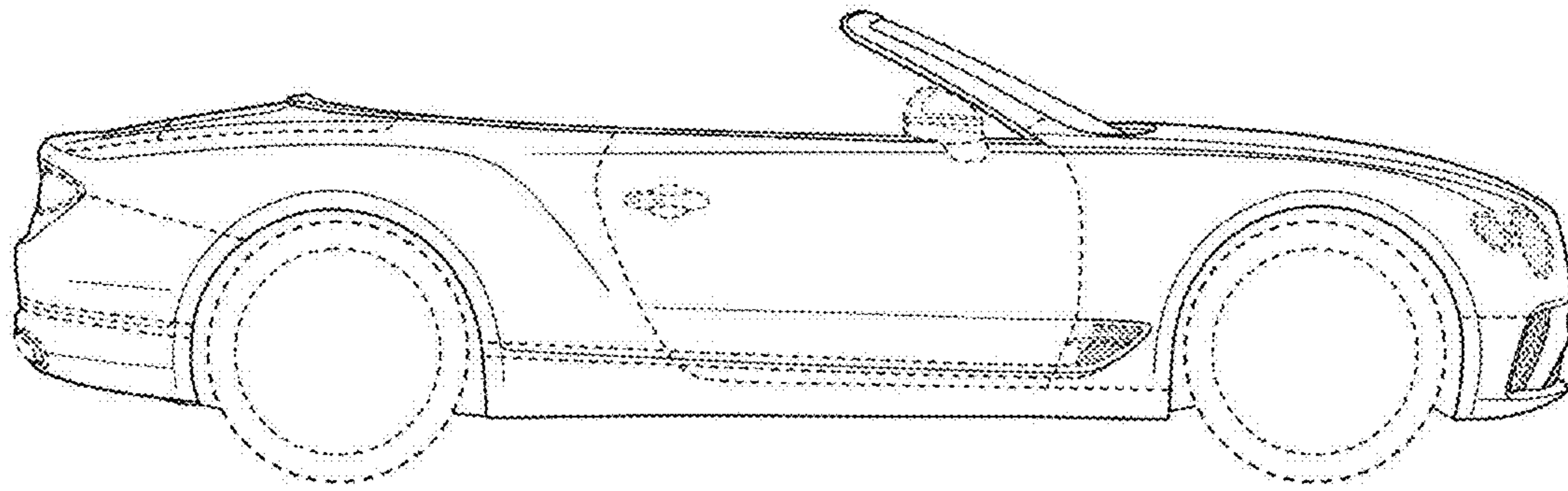


FIG. 9