



US00D992920S

(12) **United States Design Patent**
Zheng et al.

(10) **Patent No.:** **US D992,920 S**

(45) **Date of Patent:** **** Jul. 25, 2023**

- (54) **CHAIR**
- (71) Applicants: **Xinwei Zheng**, Chongqing (CN);
Yongping Gao, Chengdu (CN)
- (72) Inventors: **Xinwei Zheng**, Chongqing (CN);
Yongping Gao, Chengdu (CN)
- (**) Term: **15 Years**
- (21) Appl. No.: **29/795,431**
- (22) Filed: **Jun. 18, 2021**
- (51) **LOC (14) Cl.** **06-01**
- (52) **U.S. Cl.**
USPC **D6/379**
- (58) **Field of Classification Search**
USPC D6/369, 370, 371, 372, 373, 374, 375,
D6/378, 379
CPC .. A47C 1/02; A47C 4/028; A47C 4/02; A47C
7/02; A47C 7/20; A47C 7/14; A47C 7/44
See application file for complete search history.

3,351,378 A *	11/1967	Bliss	A47C 1/124 297/239
D564,248 S *	3/2008	Alter Molina	D6/373
D909,087 S *	2/2021	Ingignoli	D6/380
D920,702 S *	6/2021	Li	D6/375
D920,703 S *	6/2021	Li	D6/375
D930,379 S *	9/2021	Miller	D6/375
D930,380 S *	9/2021	Han	D6/375
D936,991 S *	11/2021	Li	D6/375
D936,992 S *	11/2021	Li	D6/375
D942,172 S *	2/2022	Li	D6/375

* cited by examiner

Primary Examiner — Paul D Bohannon

(57) **CLAIM**

The ornamental design for a chair, as shown and described.

DESCRIPTION

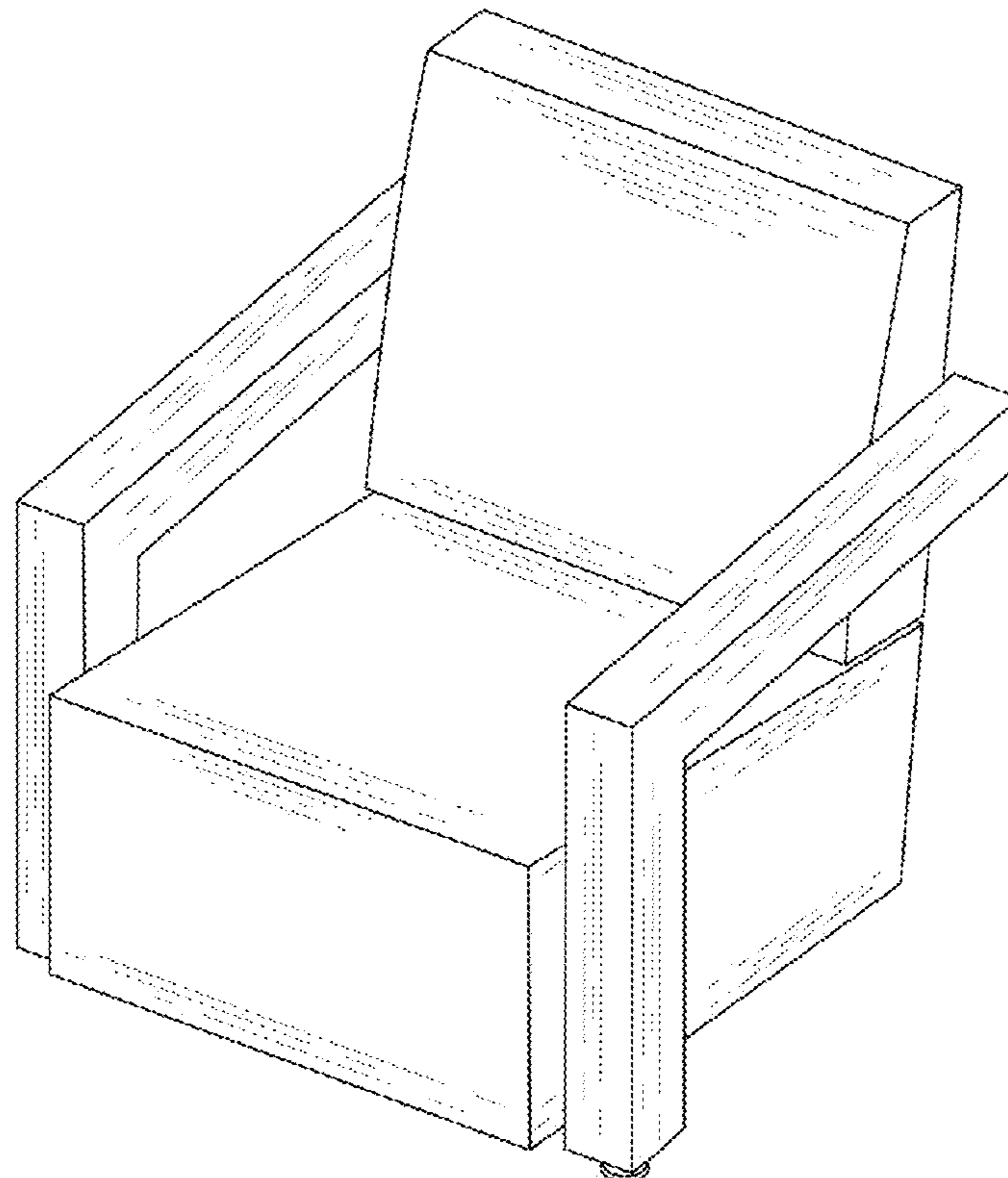
FIG. 1 is a front perspective view of a chair design showing my new design.
 FIG. 2 is a front view of a chair.
 FIG. 3 is a rear view of a chair.
 FIG. 4 is a left side view of a chair.
 FIG. 5 is a right side view of a chair.
 FIG. 6 is a top view of a chair.
 FIG. 7 is a bottom view of a chair; and,
 FIG. 8 is a rear perspective view of a chair.
 The uneven length broken lines shown on surfaces of the article represent surface contour.

1 Claim, 8 Drawing Sheets

(56) **References Cited**

U.S. PATENT DOCUMENTS

2,893,469 A *	7/1959	Eames	A47C 3/12 297/239
D191,704 S *	11/1961	Stauffer	297/452.14
3,025,105 A *	3/1962	Nash	A47C 3/04 297/DIG. 2
3,133,762 A *	5/1964	Newman	A47C 1/124 297/239



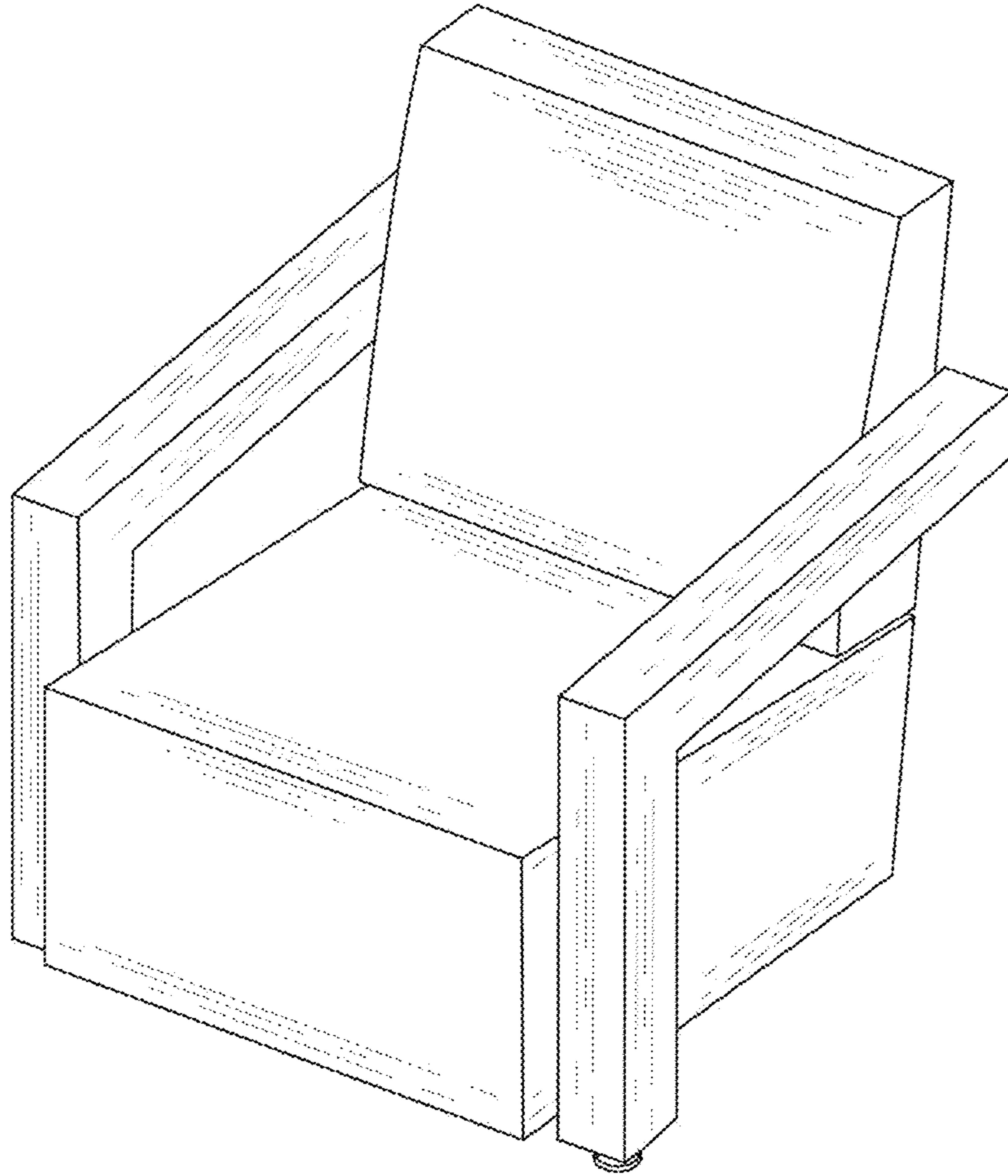


FIG. 1

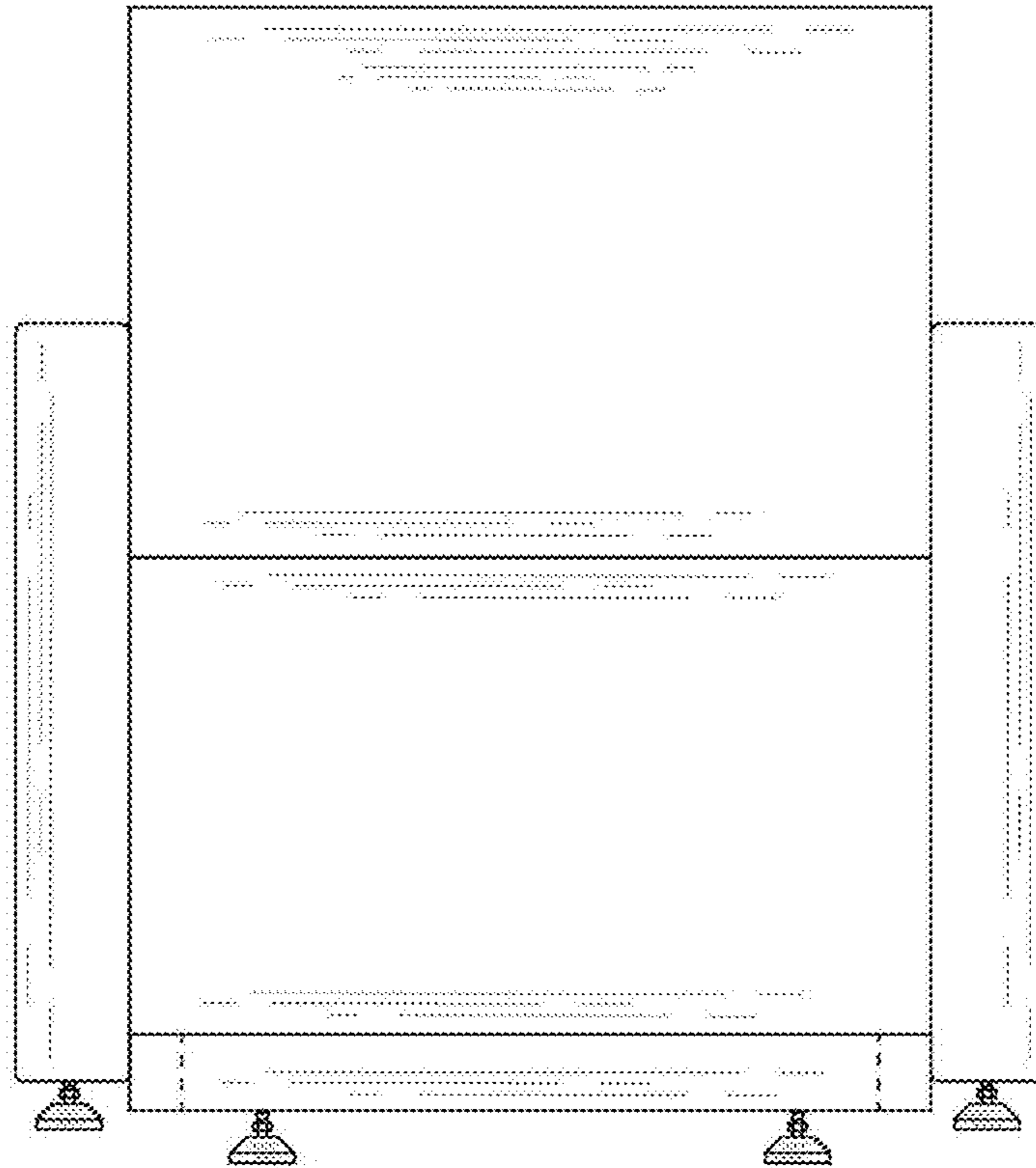


FIG. 2

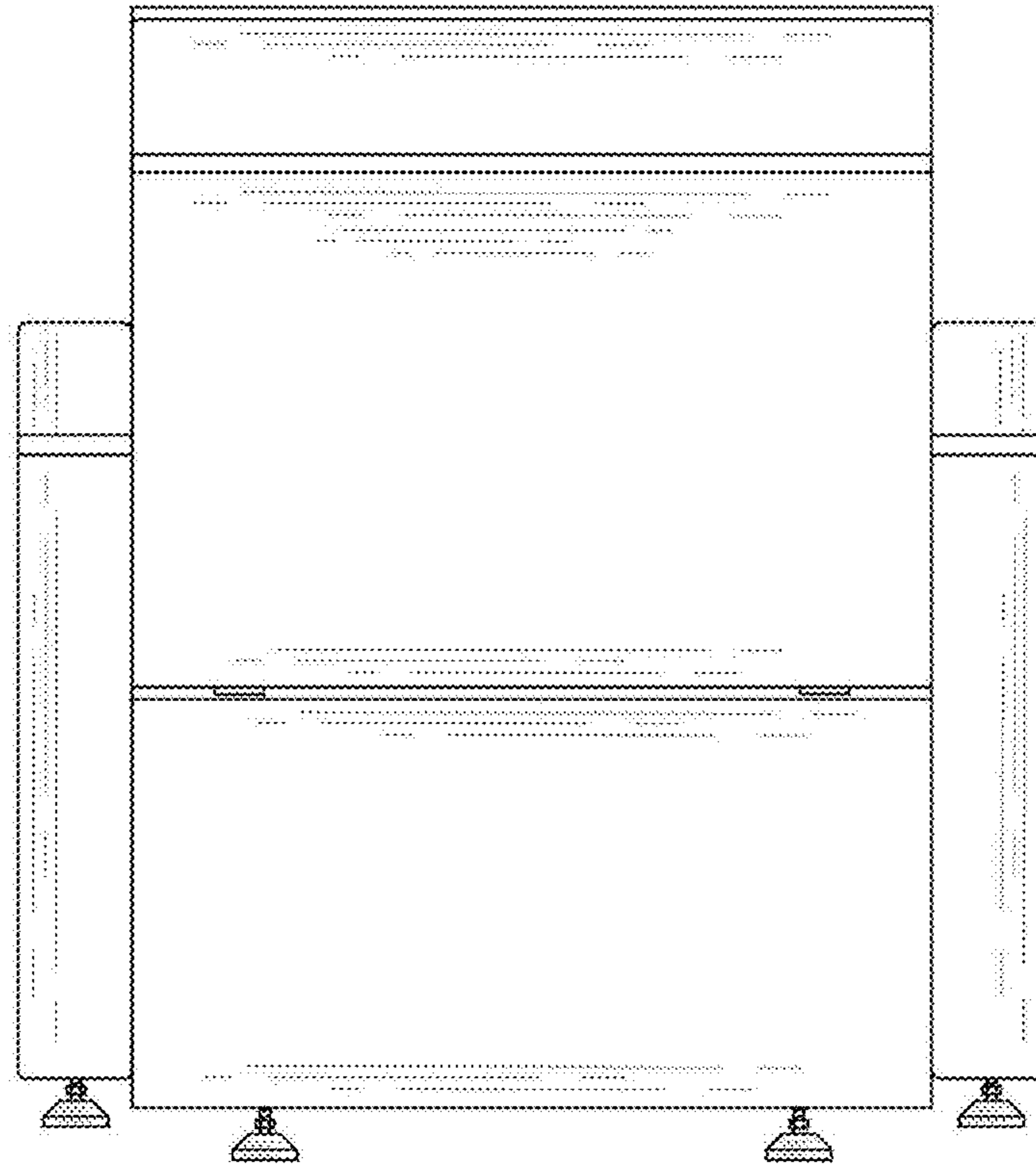


FIG. 3

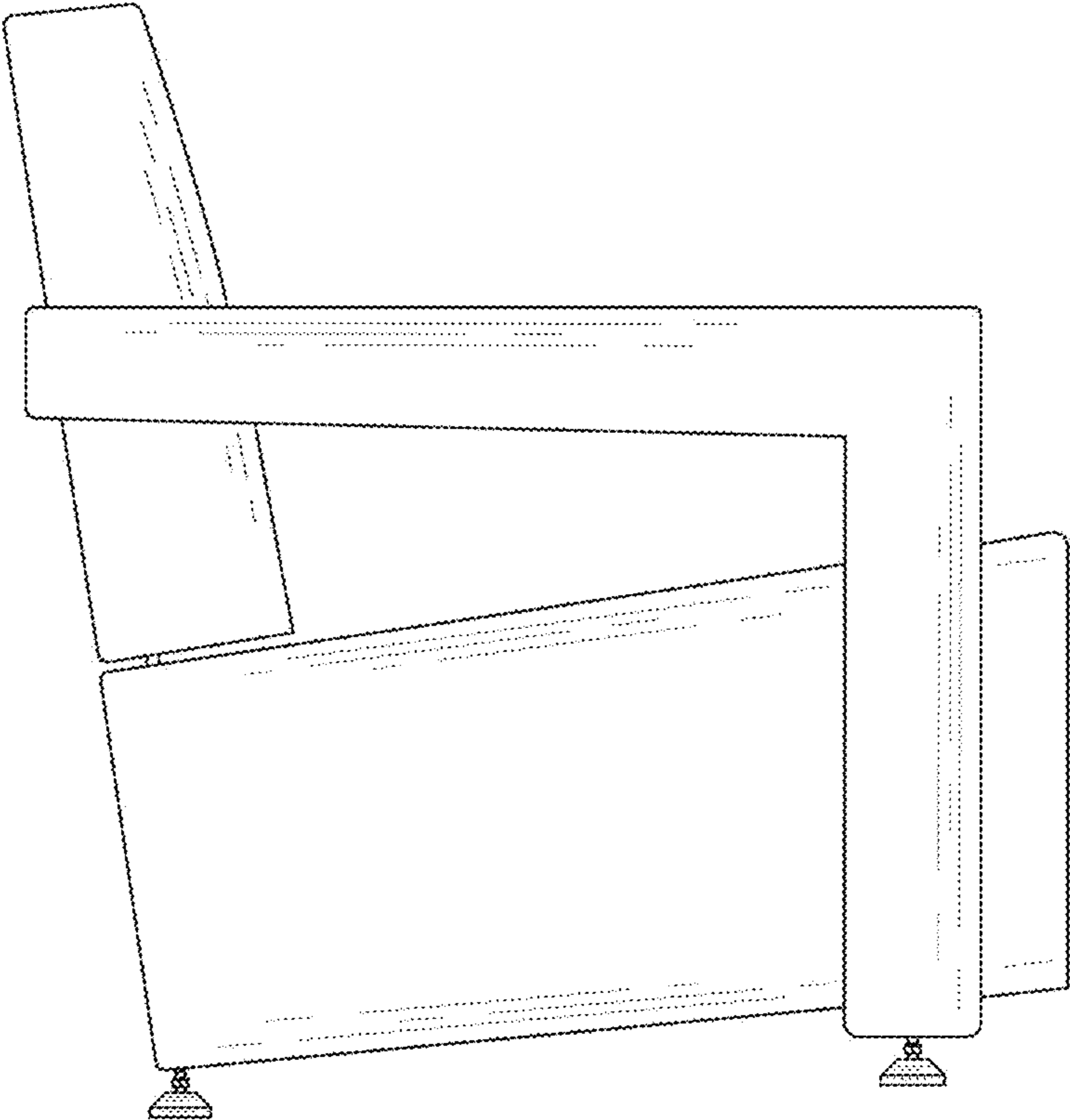


FIG. 4

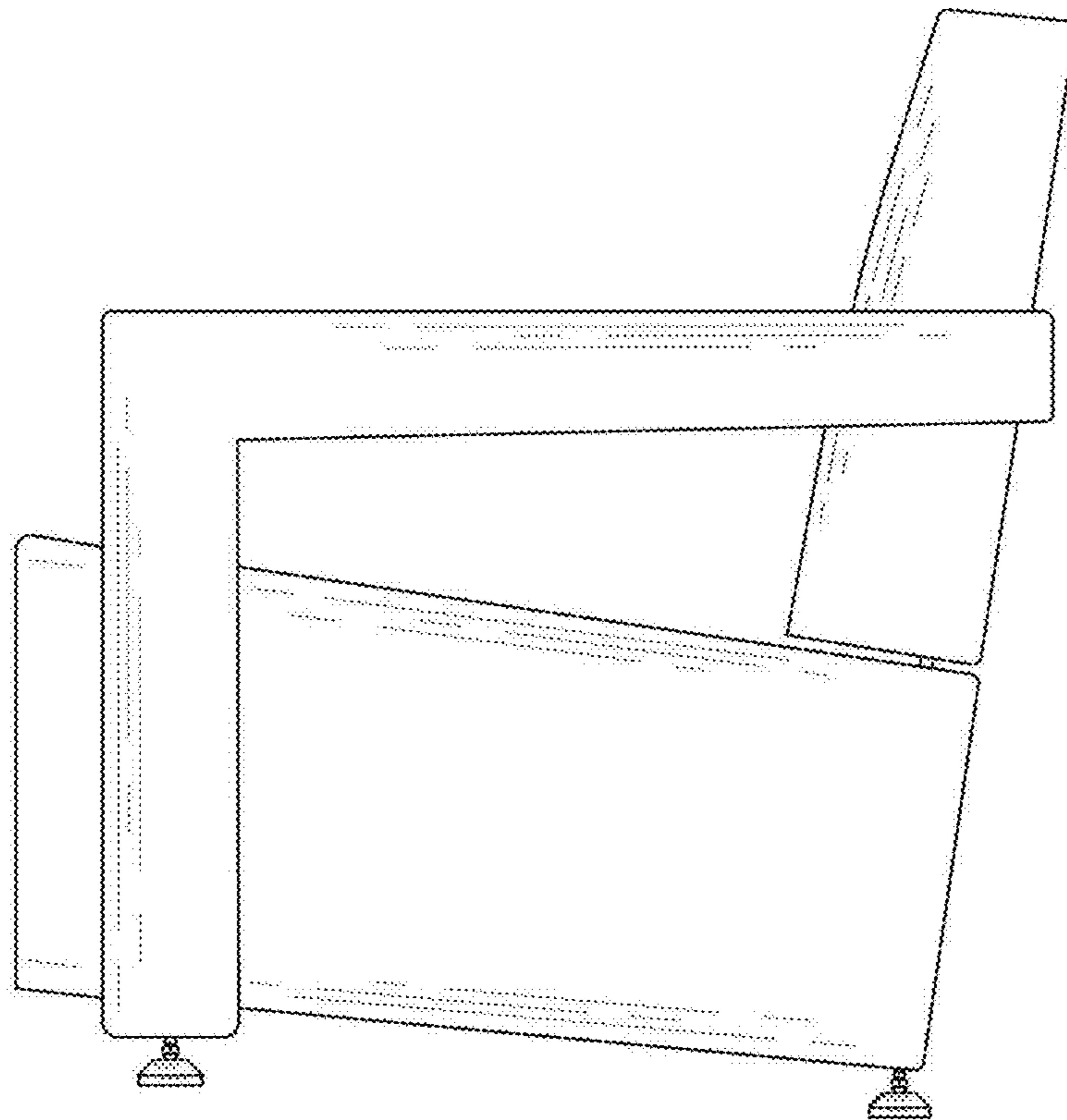


FIG. 5

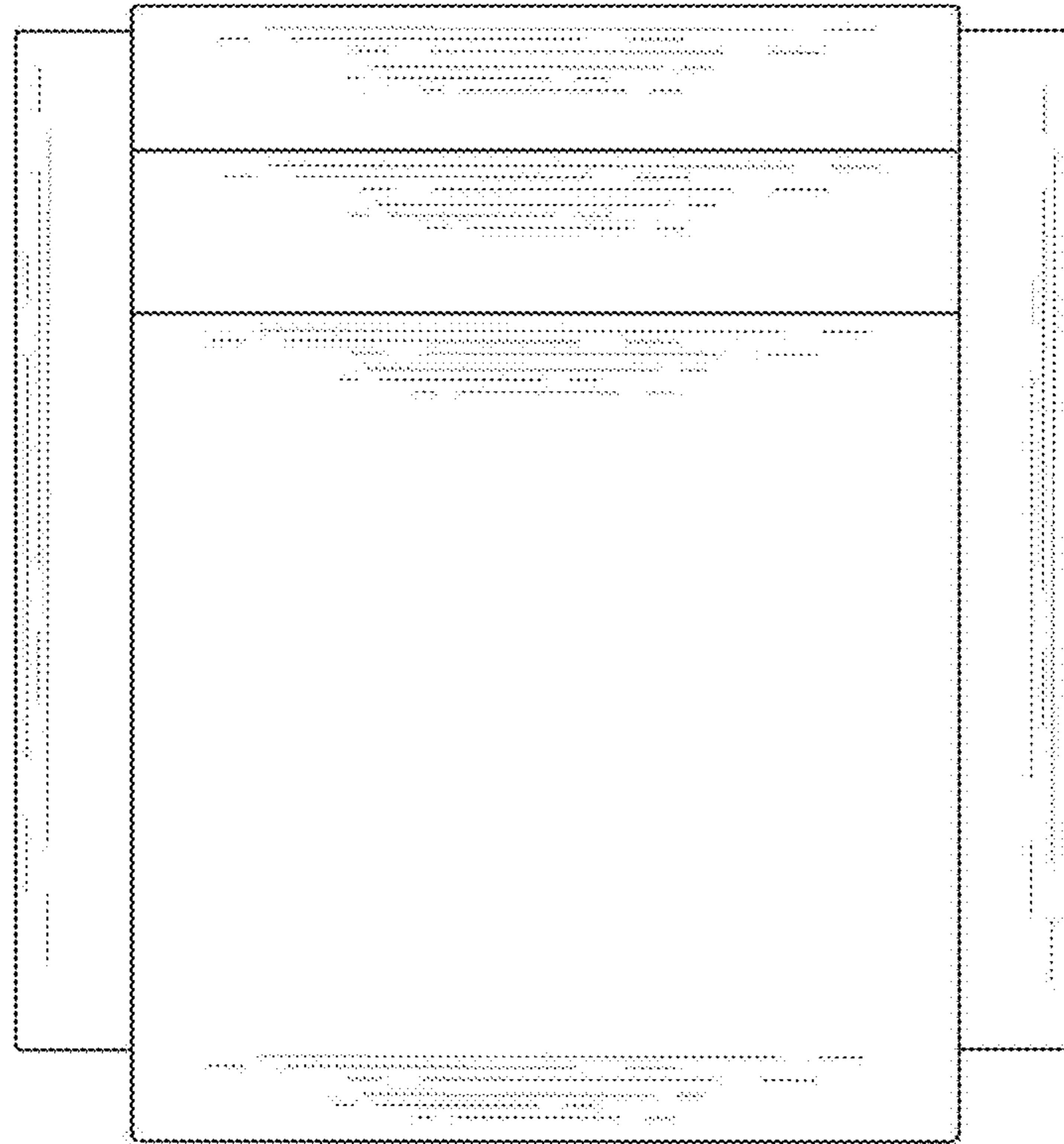


FIG. 6

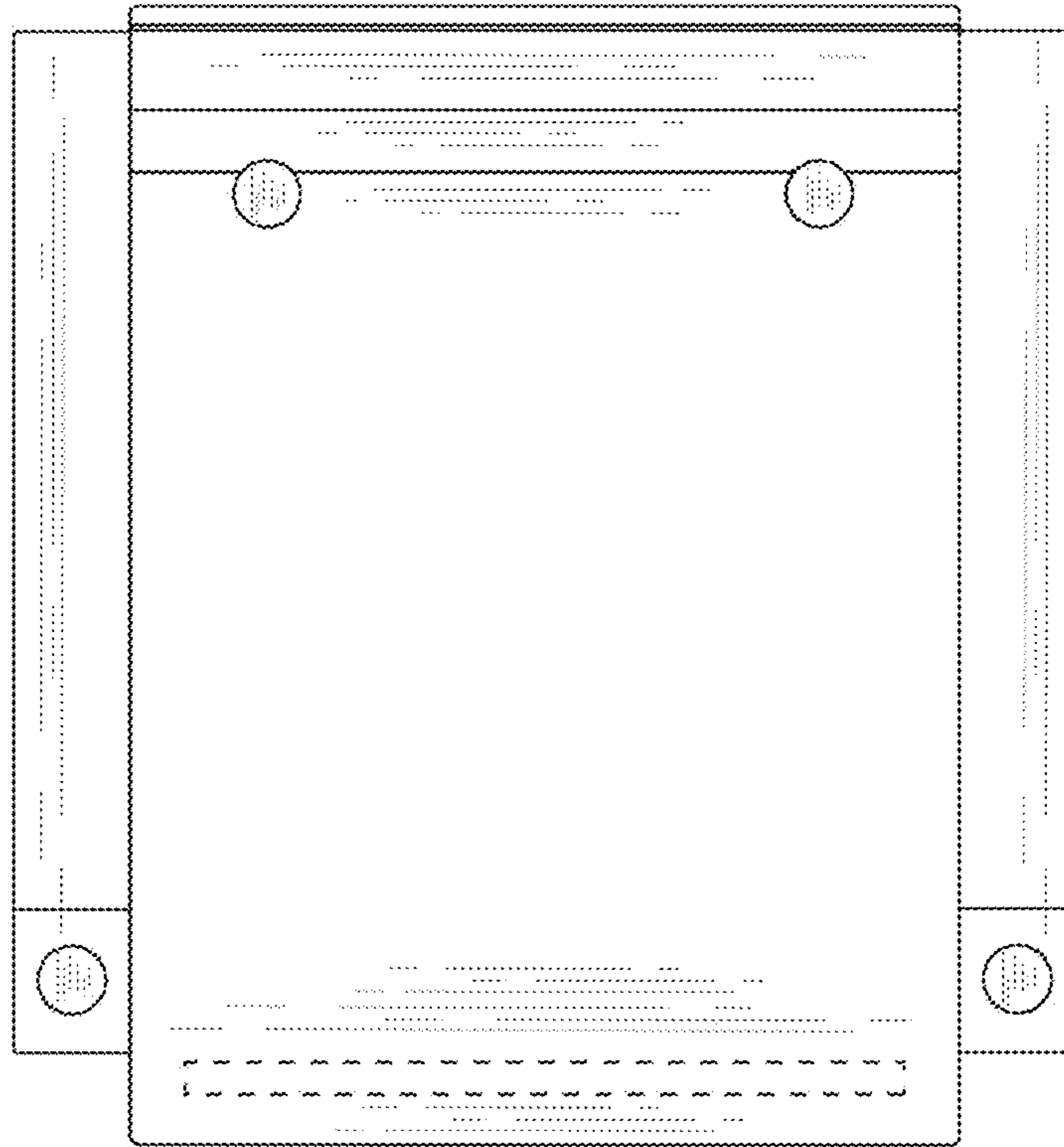


FIG. 7

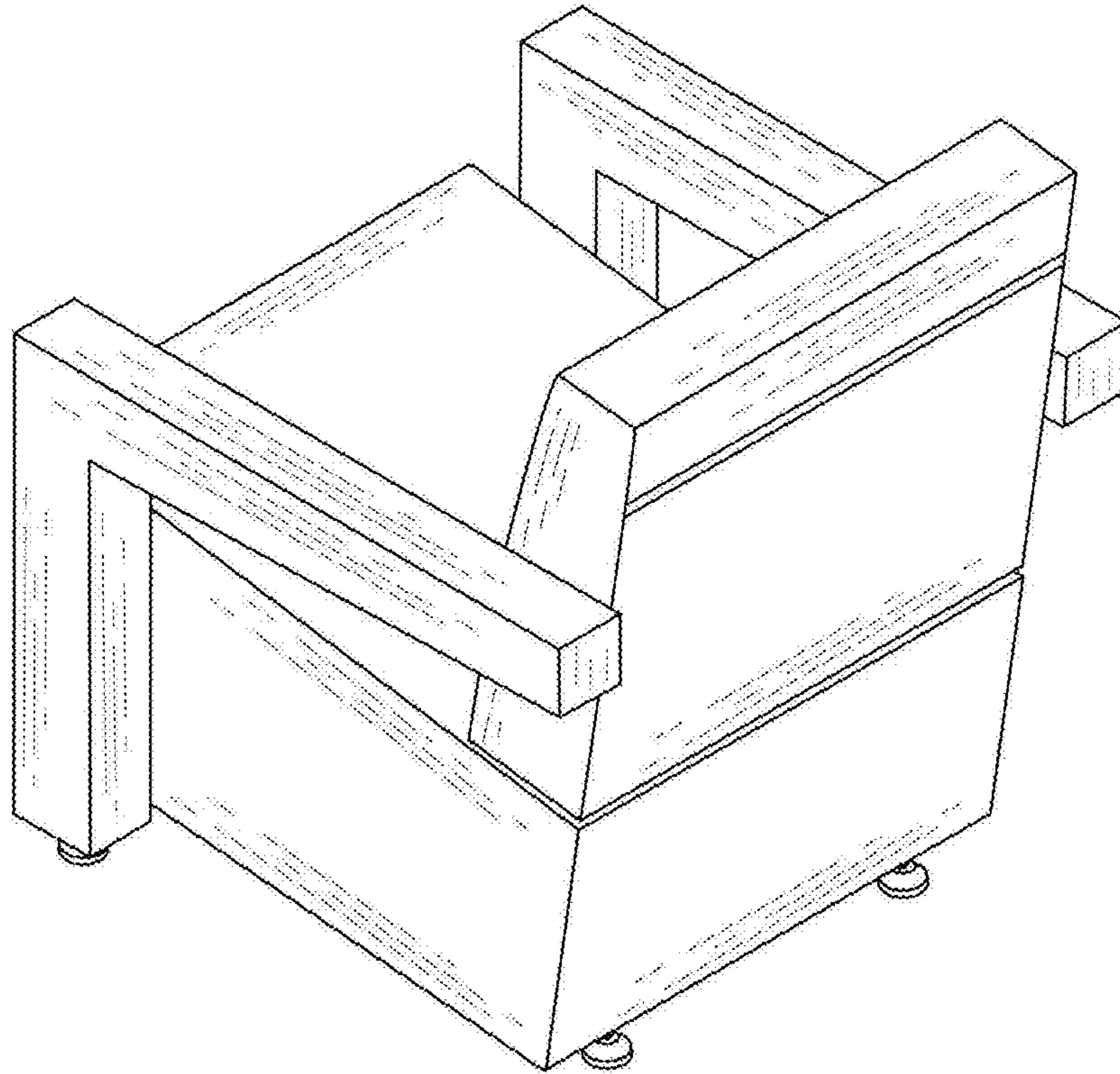


FIG. 8