



US00D992733S

(12) **United States Design Patent**  
**Parker et al.**

(10) **Patent No.:** **US D992,733 S**

(45) **Date of Patent:** **\*\* Jul. 18, 2023**

(54) **CIRCUMCISION ASSISTANCE DEVICE**

(71) Applicant: **INNOVATIVE MEDICAL TECHNOLOGY (PTY) LTD**, Cape Town (ZA)

(72) Inventors: **Cyril Norman Parker**, Cape Town (ZA); **Elisabeth Regina Parker**, Cape Town (ZA); **Jared Mark Vorster**, Cape Town (ZA); **David Christopher Wiseman**, Cape Town (ZA)

(73) Assignee: **INNOVATIVE MEDICAL TECHNOLOGY (PTY) LTD**, Cape Town (ZA)

(\*\*) Term: **15 Years**

(21) Appl. No.: **29/702,883**

(22) Filed: **Aug. 22, 2019**

(51) **LOC (14) Cl.** ..... **24-02**

(52) **U.S. Cl.**  
USPC ..... **D24/147**

(58) **Field of Classification Search**  
USPC .. D24/129, 140, 146, 147; D8/8, 98; D24/133  
CPC ..... A61B 17/326; A61B 50/20; A61B 1/32  
See application file for complete search history.

(56) **References Cited**

**U.S. PATENT DOCUMENTS**

- D031,812 S \* 11/1899 Barnes ..... D8/98
- 1,417,142 A \* 5/1922 Couch ..... A61B 17/326  
606/174
- 2,215,125 A \* 9/1940 Maltz ..... A61B 17/3213  
D24/147
- D130,762 S \* 12/1941 Ross ..... D24/146

- 2,353,647 A \* 7/1944 Carmichael ..... A61B 17/326  
606/118
- 2,471,864 A \* 5/1949 De Palo ..... A61B 17/326  
606/118
- 2,960,769 A \* 11/1960 Matwijcow ..... A61B 17/3213  
30/340
- 3,056,407 A \* 10/1962 Kariher et al. .... A61B 17/326  
606/118
- 3,609,864 A \* 10/1971 Bassett ..... A61B 17/3213  
D8/98
- 3,633,565 A \* 1/1972 McDonald ..... A61B 10/0291  
600/570

(Continued)

**FOREIGN PATENT DOCUMENTS**

- WO 2018163043 A1 9/2018
- ZA F2017/00356 11/2018

(Continued)

*Primary Examiner* — T Chase Nelson  
*Assistant Examiner* — Kelly L Gross  
(74) *Attorney, Agent, or Firm* — McAndrews Held & Malloy, Ltd.

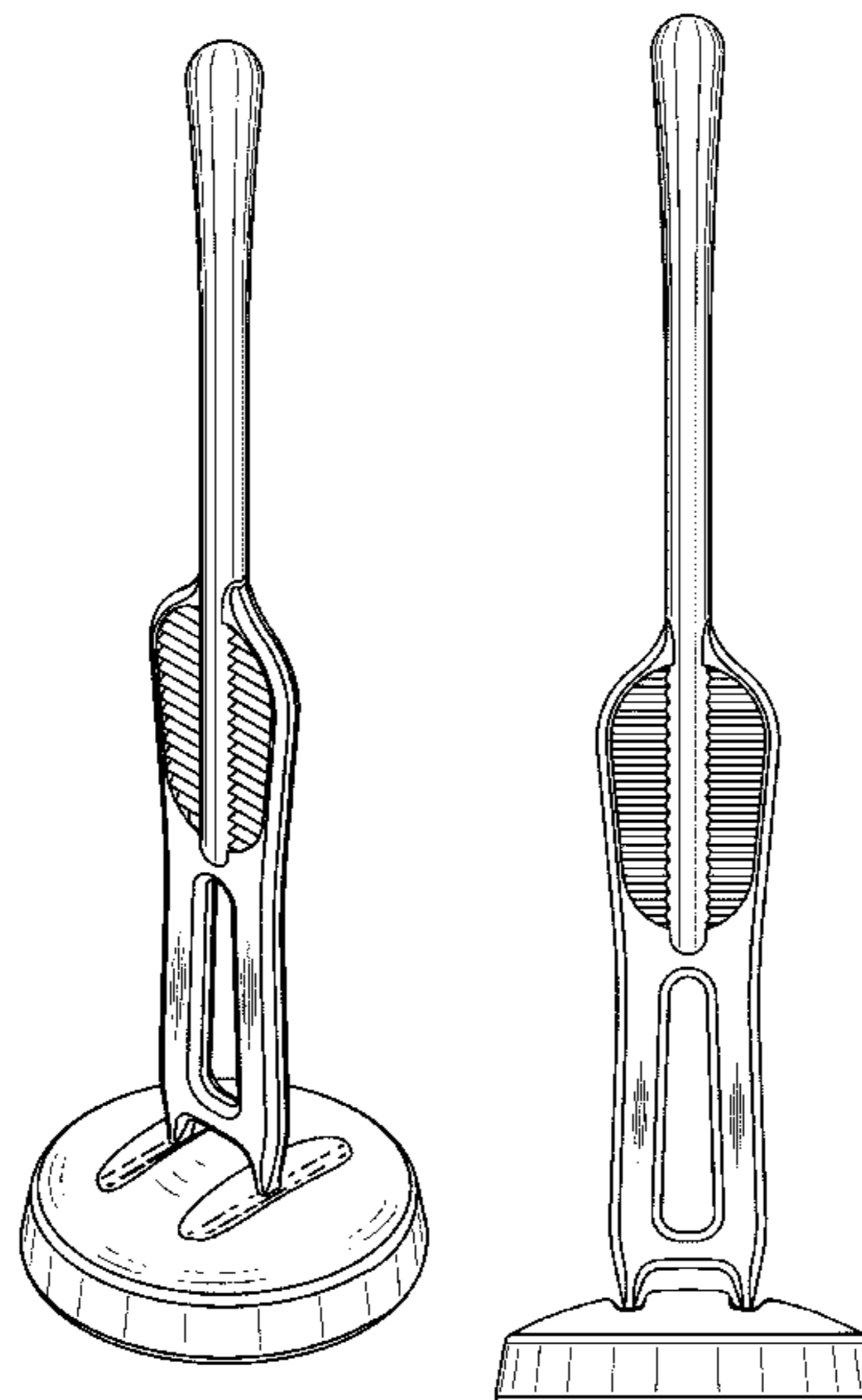
(57) **CLAIM**

The ornamental design for a CIRCUMCISION ASSISTANCE DEVICE, as shown and described.

**DESCRIPTION**

FIG. 1 is a top perspective view of a CIRCUMCISION ASSISTANCE DEVICE showing our new design; FIG. 2 is a bottom perspective view thereof; FIG. 3 is a front elevation view thereof; FIG. 4 is a rear elevation view thereof; FIG. 5 is a right side elevation view thereof; FIG. 6 is a left side elevation view thereof; FIG. 7 is a top plan view thereof; and FIG. 8 is a bottom plan view thereof.

**1 Claim, 8 Drawing Sheets**



(56)

References Cited

U.S. PATENT DOCUMENTS

3,678,935 A \* 7/1972 Bronstein ..... A61B 17/326  
606/118  
D259,210 S \* 5/1981 Ayer ..... D24/143  
D265,456 S \* 7/1982 Winslow et al. .... D8/98  
4,365,957 A \* 12/1982 Das ..... A61C 3/02  
606/160  
D278,969 S \* 5/1985 Johnson ..... D8/98  
D285,285 S \* 8/1986 Soyama ..... D8/51  
D287,763 S \* 1/1987 Porat et al. .... D24/143  
4,679,556 A \* 7/1987 Lubock et al. .... A61F 2/0095  
606/1  
D294,734 S \* 3/1988 Detsch ..... D24/147  
D294,861 S \* 3/1988 Detsch ..... D8/20  
4,801,015 A \* 1/1989 Lubock et al. .... A61F 2/2427  
206/525  
D302,590 S \* 8/1989 Trott ..... D8/98  
D315,793 S \* 3/1991 Trott ..... D8/98  
5,100,391 A \* 3/1992 Schutte et al. .... A61B 17/3213  
30/304  
D324,424 S \* 3/1992 Michelson ..... D24/147  
D325,970 S \* 5/1992 Rubin ..... D24/146  
D329,699 S \* 9/1992 Schutte et al. .... D24/147  
D330,082 S \* 10/1992 Schutte et al. .... D24/147  
D331,625 S \* 12/1992 Price et al. .... D24/143  
D337,160 S \* 7/1993 Evans ..... D24/146  
5,269,788 A \* 12/1993 Nelson, III ..... A61B 17/326  
606/118  
D344,155 S \* 2/1994 Ueno et al. .... D8/98  
D370,729 S \* 6/1996 Hurlburt et al. .... 601/99  
D383,841 S \* 9/1997 Runciman ..... D24/133  
D385,962 S \* 11/1997 Conrey ..... D24/147  
5,792,159 A \* 8/1998 Amin ..... A61B 17/244  
D24/146  
D398,057 S \* 9/1998 Molster ..... D24/147  
D403,568 S \* 1/1999 Liu ..... D8/51  
D422,188 S \* 4/2000 Lira-Nunez ..... D8/98  
D426,920 S \* 6/2000 Georgescu ..... D28/59  
D428,991 S \* 8/2000 Fourie et al. .... D24/146  
D439,127 S \* 3/2001 Loudon ..... D8/98  
D503,800 S \* 4/2005 Ebner ..... D24/146  
D536,791 S \* 2/2007 Eskridge et al. .... D24/146  
D538,935 S \* 3/2007 Eddy et al. .... D24/147  
D567,944 S \* 4/2008 Sarna ..... D24/146  
D589,775 S \* 4/2009 Haraguchi et al. .... D8/98  
D601,252 S \* 9/2009 Ra ..... D24/142  
D612,052 S \* 3/2010 McCollam et al. .... D24/150  
D637,883 S \* 5/2011 Yu Chen ..... D8/98

D649,633 S \* 11/2011 Claypool et al. .... D24/140  
D673,258 S \* 12/2012 Jowett et al. .... D24/108  
D704,334 S \* 5/2014 Walthall, Jr. et al. .... D24/140  
D707,818 S \* 6/2014 Ghannoum ..... D24/146  
D761,957 S \* 7/2016 Lee et al. .... D24/133  
D763,055 S \* 8/2016 Lipscomb et al. .... D8/98  
9,445,835 B2 \* 9/2016 Melhem et al. .... A61B 17/326  
D782,043 S \* 3/2017 Fink et al. .... D24/146  
D825,756 S \* 8/2018 Denton ..... D24/147  
D836,200 S \* 12/2018 Parker et al. .... D24/140  
10,463,393 B2 \* 11/2019 Souaida ..... A61B 17/326  
D904,610 S \* 12/2020 Dacosta et al. .... D24/140  
D913,496 S \* 3/2021 Sadlik ..... D24/147  
D913,497 S \* 3/2021 Parker et al. .... D24/147  
D915,592 S \* 4/2021 Mark ..... D24/146  
D917,049 S \* 4/2021 Schwartz ..... D24/146  
D925,738 S \* 7/2021 Martin ..... D24/146  
D928,955 S \* 8/2021 Michaels ..... D24/146  
D936,218 S \* 11/2021 McLean et al. .... D24/129  
D940,861 S \* 1/2022 Mosen et al. .... D24/129  
D941,470 S \* 1/2022 Sharifi-Mehr et al. .... D24/146  
D945,617 S \* 3/2022 Wright ..... D24/146  
D951,446 S \* 5/2022 Yang et al. .... D24/147  
D952,146 S \* 5/2022 Moleda ..... D24/146  
D956,227 S \* 6/2022 Dacosta et al. .... D24/140  
11,376,036 B1 \* 7/2022 Smith ..... A61B 17/326  
D967,422 S \* 10/2022 Vanderpool et al. A61B 17/3468  
D24/146  
D972,137 S \* 12/2022 Schifano et al. .... D24/147  
D974,558 S \* 1/2023 Gras et al. .... A61B 17/3468  
D24/146  
2007/0060928 A1 \* 3/2007 Dave et al. .... A61B 17/326  
606/118  
2012/0165825 A1 \* 6/2012 Theophilopoulos . A61B 17/326  
606/118  
2012/0203243 A1 \* 8/2012 Melhem et al. .... A61B 17/326  
606/118  
2014/0364867 A1 \* 12/2014 Siow et al. .... A61B 17/326  
606/118  
2015/0142007 A1 \* 5/2015 Krieger et al. .... A61B 17/326  
606/118  
2017/0252073 A1 \* 9/2017 Salvermoser et al. ....  
A61B 17/7076  
2018/0206876 A1 \* 7/2018 Souaida ..... A61B 17/326  
2019/0357931 A1 \* 11/2019 Xia et al. .... A61B 17/0682

FOREIGN PATENT DOCUMENTS

ZA A2017/00355 S 2/2019

\* cited by examiner

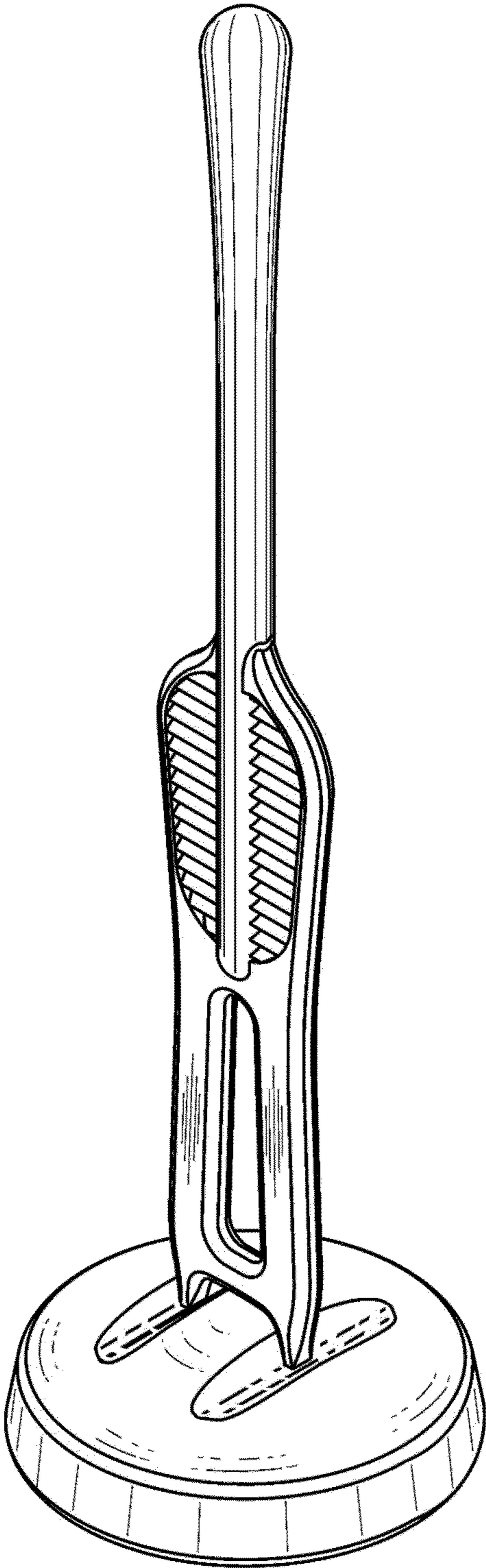


FIG. 1

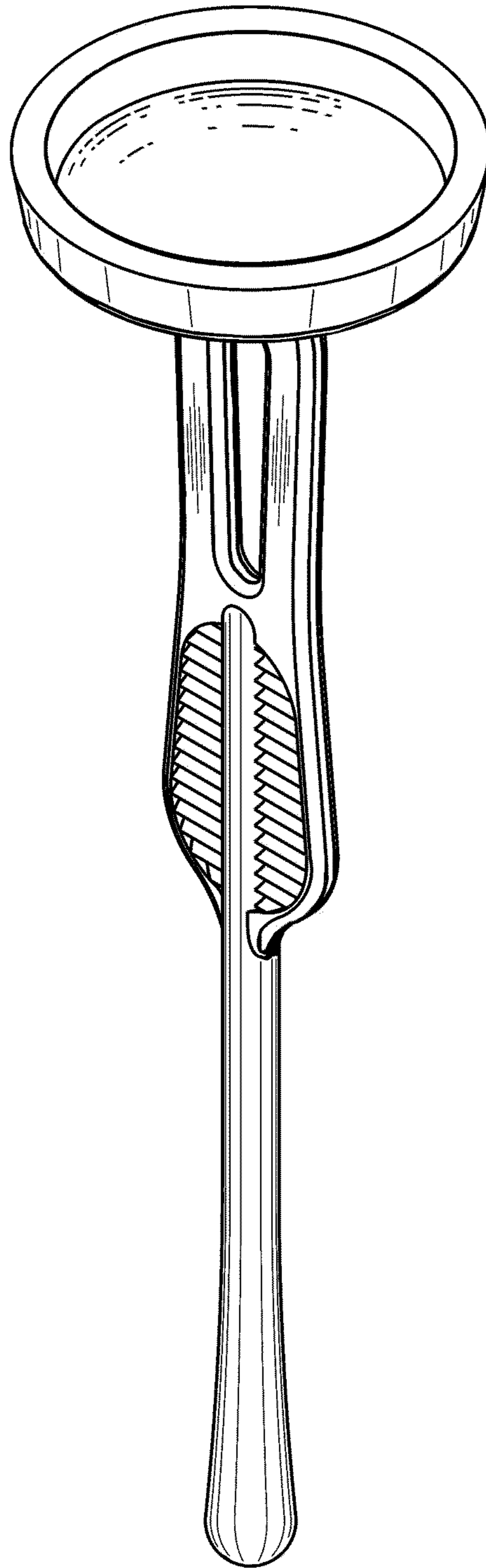
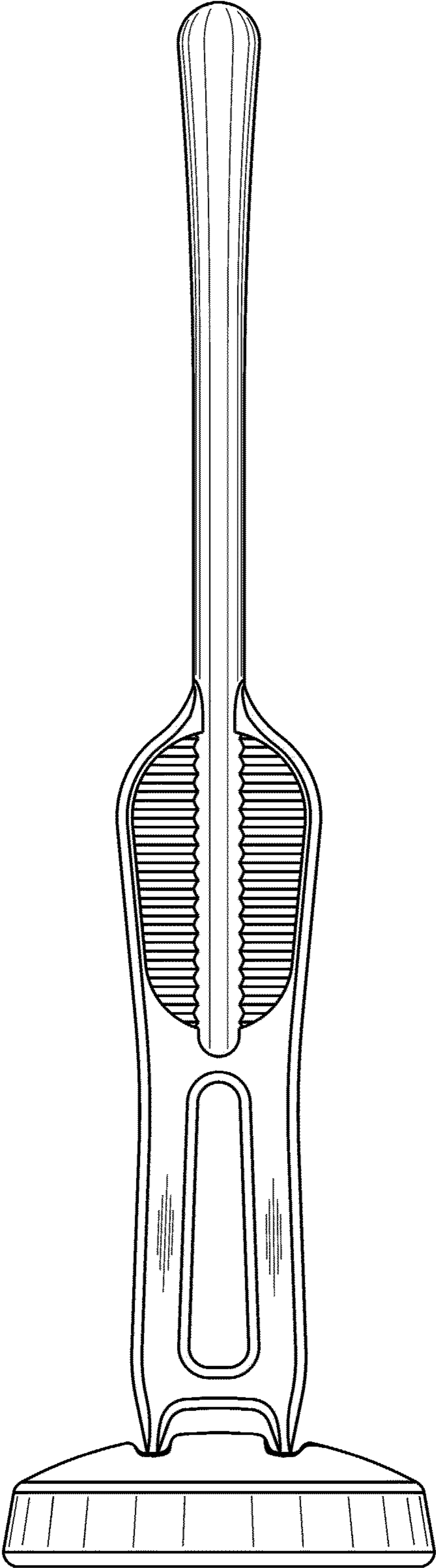


FIG. 2



**FIG. 3**

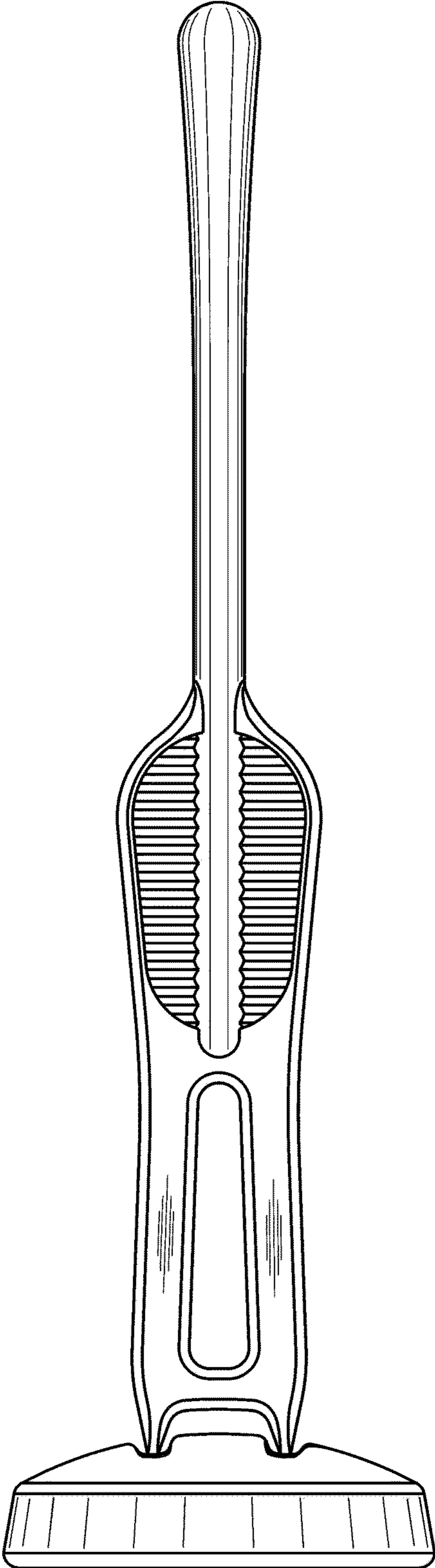
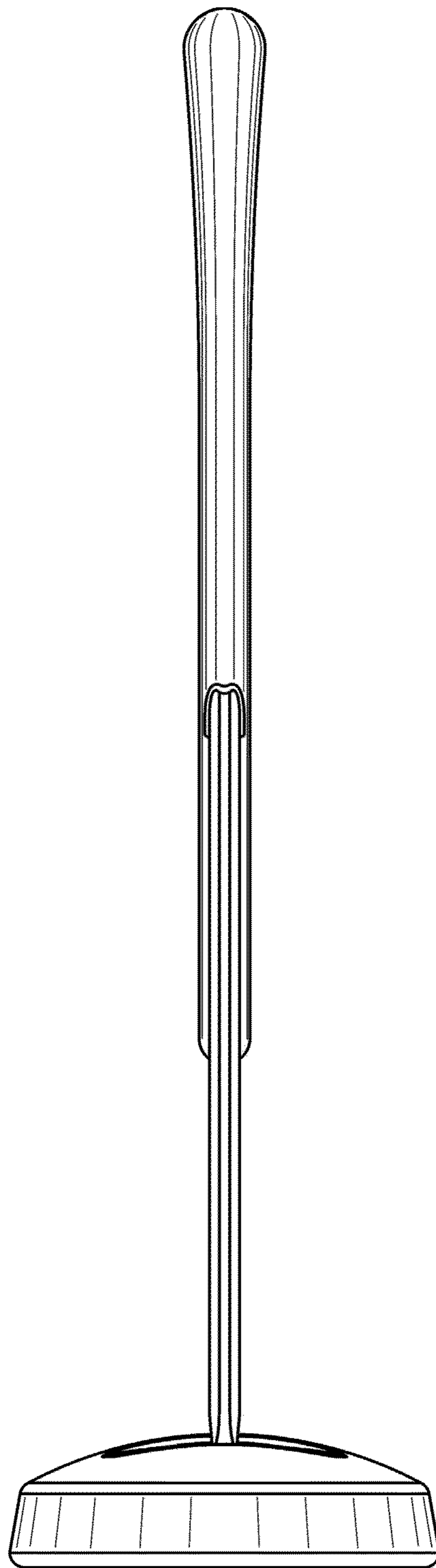
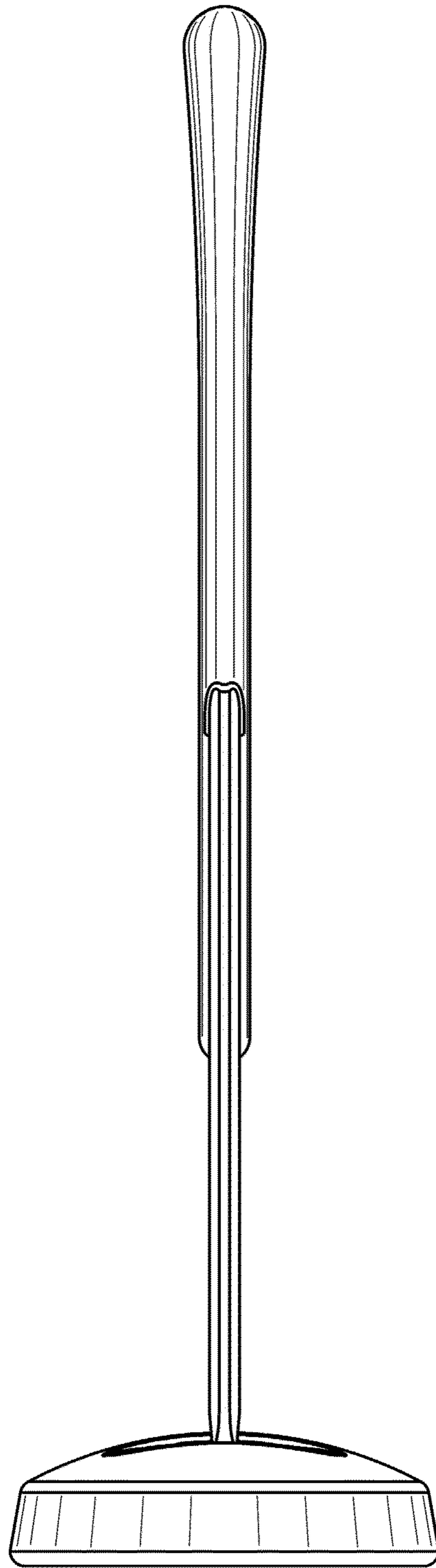


FIG. 4



**FIG. 5**



**FIG. 6**



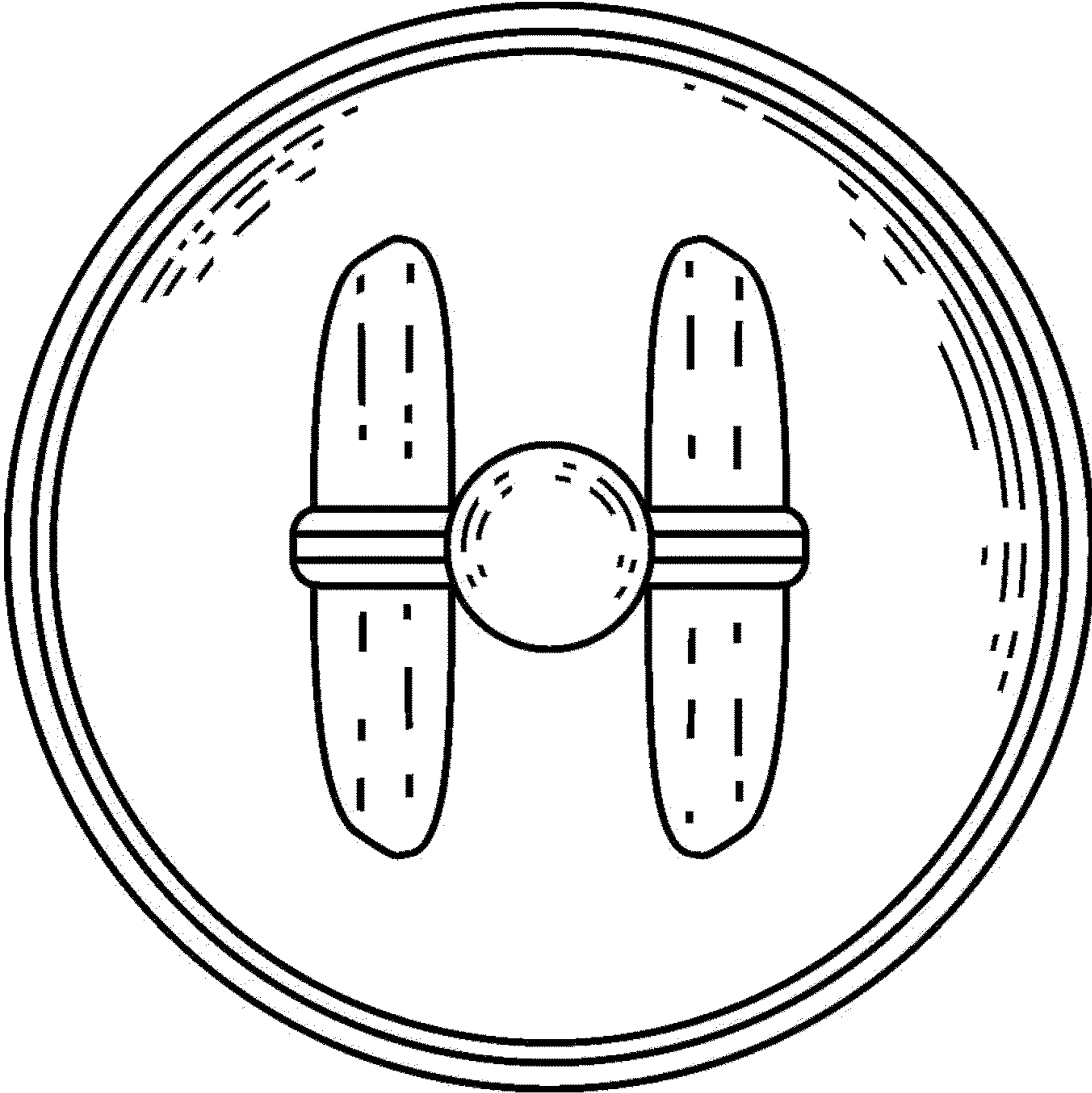


FIG. 7

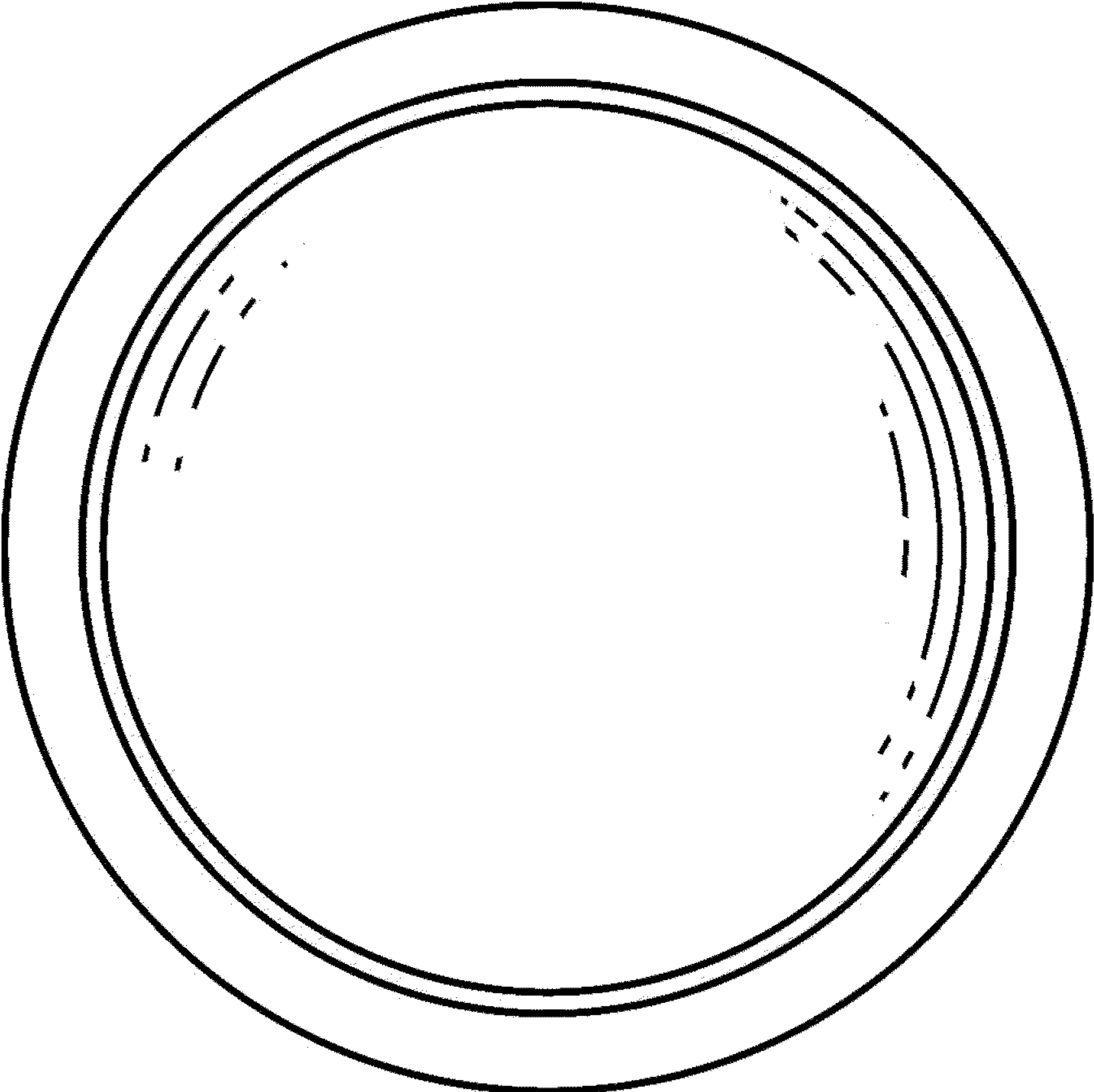


FIG. 8