



US00D992704S

(12) **United States Design Patent**
Bartchlett

(10) **Patent No.:** **US D992,704 S**
(45) **Date of Patent:** **** Jul. 18, 2023**

(54) **TOILET**

FOREIGN PATENT DOCUMENTS

(71) Applicant: **MEDAL TECHNOLOGIES, LLC**,
Findlay, OH (US)

CN 304427729 * 12/2017
CN 305960384 * 8/2020
WO 2020/146015 A1 7/2020

(72) Inventor: **Kevin A. Bartchlett**, Arcadia, OH (US)

OTHER PUBLICATIONS

(73) Assignee: **MEDAL TECHNOLOGIES, LLC**,
Findlay, OH (US)

Stansport Portable Camp Toilet, announced Jun. 20, 2011[online], [site visited Sep. 22, 2022]. Available from internet, URL:<https://www.amazon.com/Stansport-273-100-Portable-Camp-Toilet/dp/B00571QERU> (Year: 2011).*

(**) Term: **15 Years**

Theford Porta Potti, posted May 27, 2020 [online], [retrieved Sep. 28, 2022]. Retrieved from internet, https://www.youtube.com/watch?v=hNngb_oTCLM (on or around timestamp 0:12 into the video) (Year: 2020).*

(21) Appl. No.: **29/781,070**

(22) Filed: **Apr. 28, 2021**

(51) **LOC (14) Cl.** **23-02**

(52) **U.S. Cl.**

USPC **D23/299**

(58) **Field of Classification Search**

USPC D23/278-279, 295-303, 309, 311, 499

CPC A47K 13/06; A47K 13/10

See application file for complete search history.

* cited by examiner

Primary Examiner — Jae Liang

Assistant Examiner — Jamaal Rasheed

(74) *Attorney, Agent, or Firm* — Jacob M. Ward; Ward Law Office LLC

(56) **References Cited**

U.S. PATENT DOCUMENTS

3,103,017	A *	9/1963	La Mere	A47K 11/023
					4/111.3
3,827,378	A *	8/1974	Kufrin	F23G 5/50
					4/111.3
3,939,501	A *	2/1976	Sargent	A47K 11/02
					4/324
D250,344	S *	11/1978	Sargent	D23/299
D255,597	S *	6/1980	Sargent	D23/299
D255,828	S *	7/1980	Butler	D23/299
4,547,916	A *	10/1985	Henke	E03D 11/11
					73/317
D532,492	S *	11/2006	Giese	D23/299
RE46,162	E *	9/2016	Paterson	D23/295
D942,598	S *	2/2022	Küng	D23/295
2020/0214514	A1	7/2020	Stearns et al.		

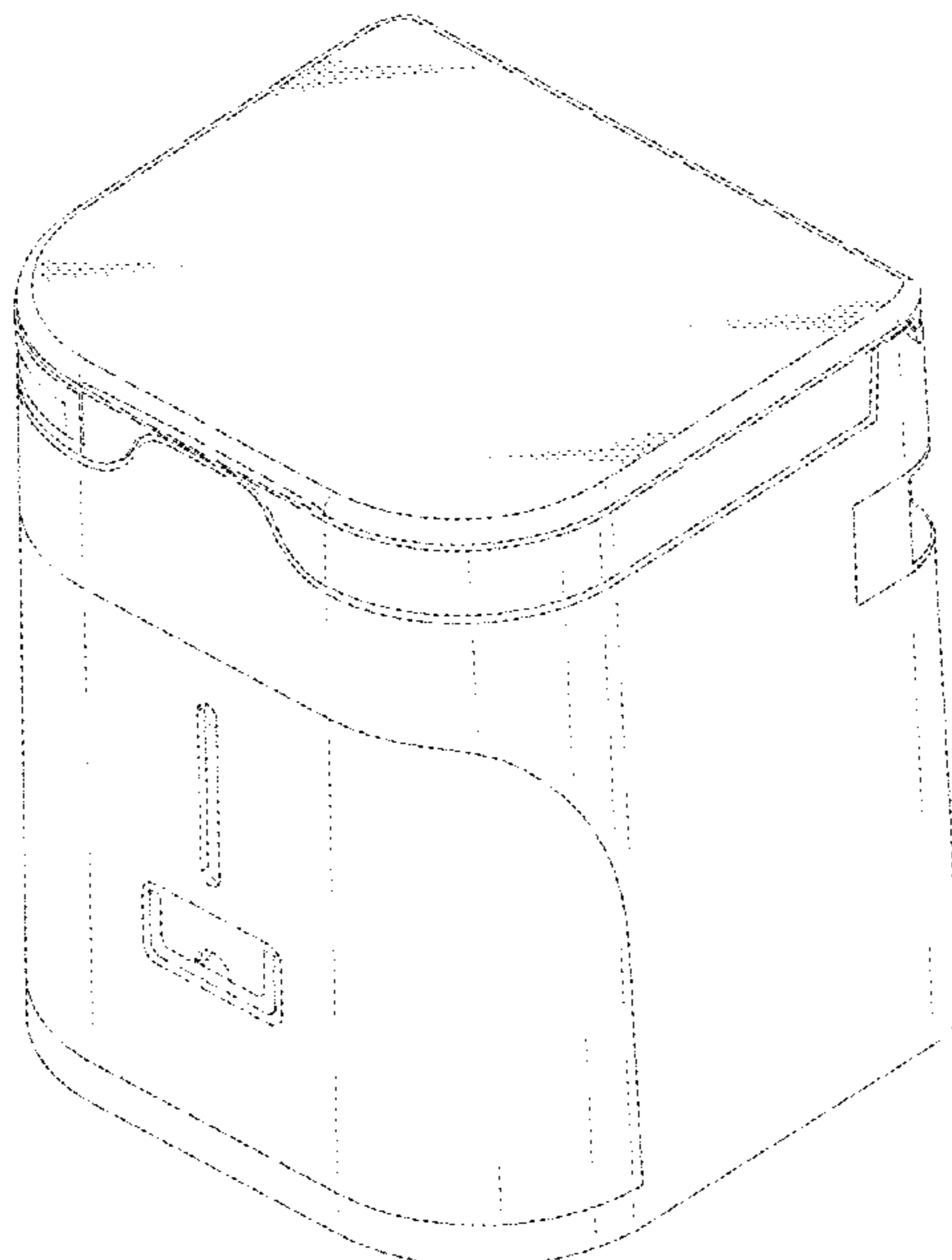
(57) **CLAIM**

The ornamental design for a toilet, as shown and described.

DESCRIPTION

FIG. 1 is a top perspective view of a toilet showing my new design;
FIG. 2 is a front elevational view of the toilet of FIG. 1;
FIG. 3 is a rear elevational view thereof;
FIG. 4 is a top plan view thereof;
FIG. 5 is a bottom plan view thereof;
FIG. 6 is a left side elevational view thereof; and,
FIG. 7 is a right side elevational view thereof.
The broken lines in the drawings depict portions of the toilet that form no part of the claimed design.

1 Claim, 6 Drawing Sheets



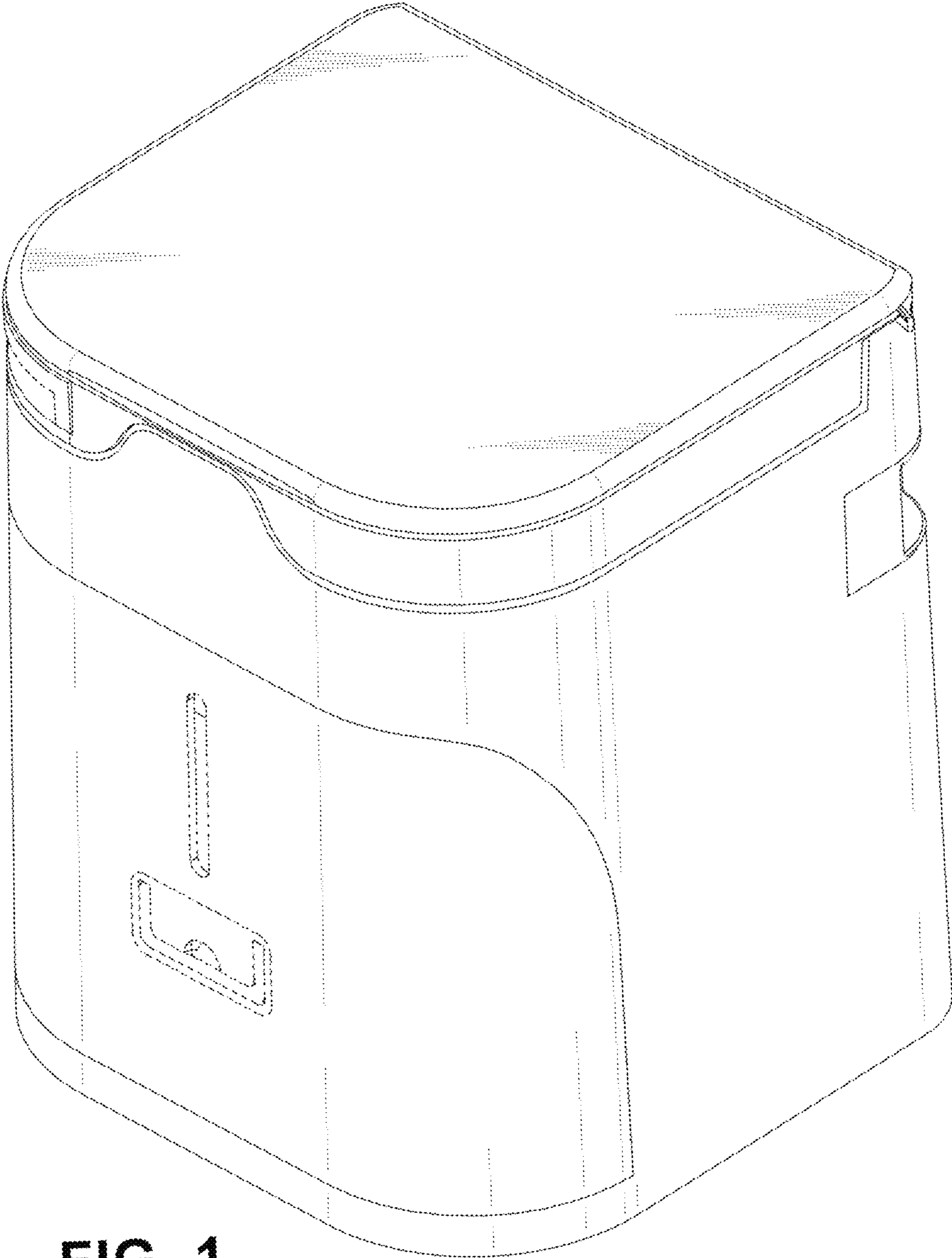


FIG. 1

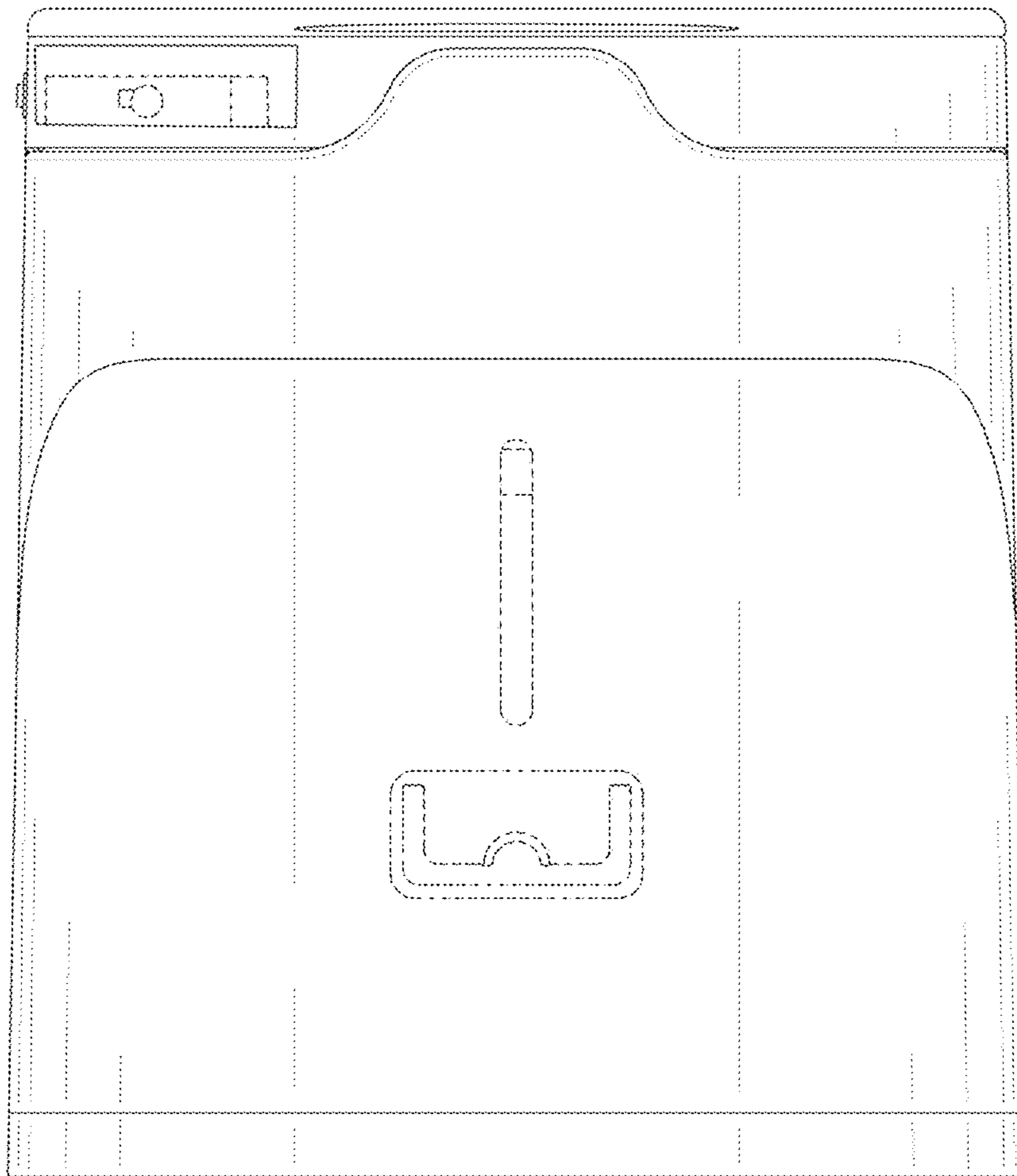


FIG. 2

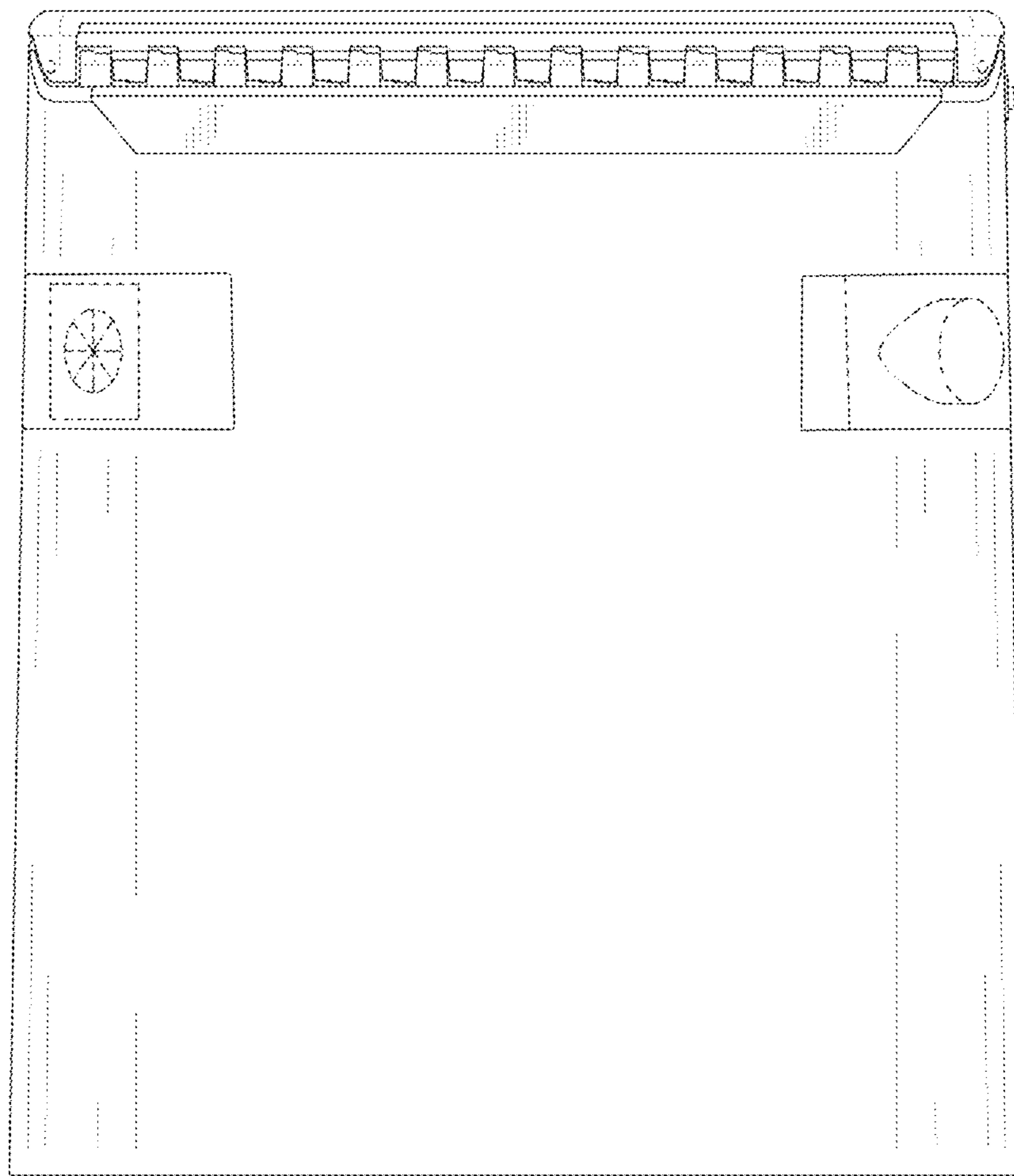


FIG. 3

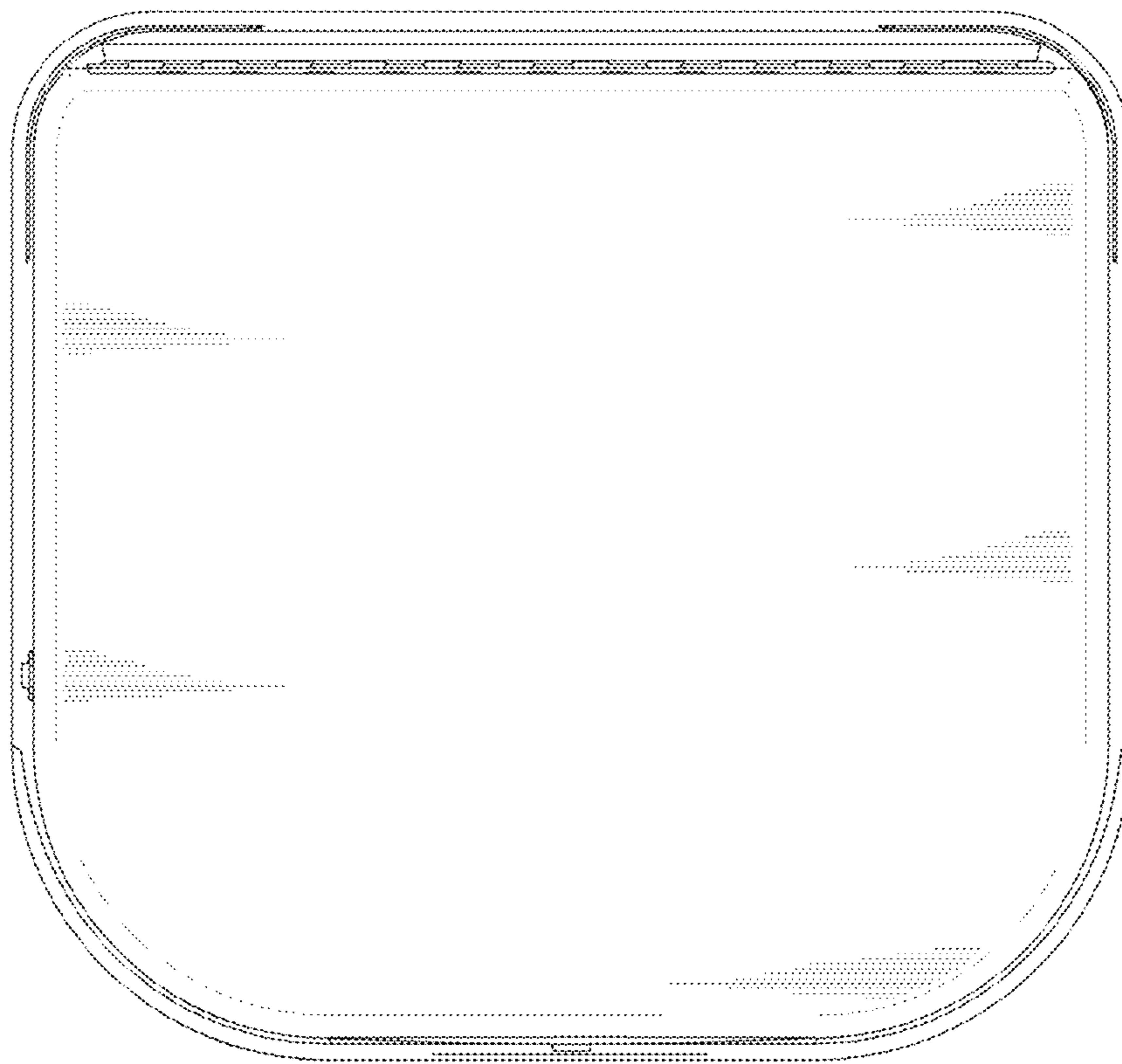


FIG. 4

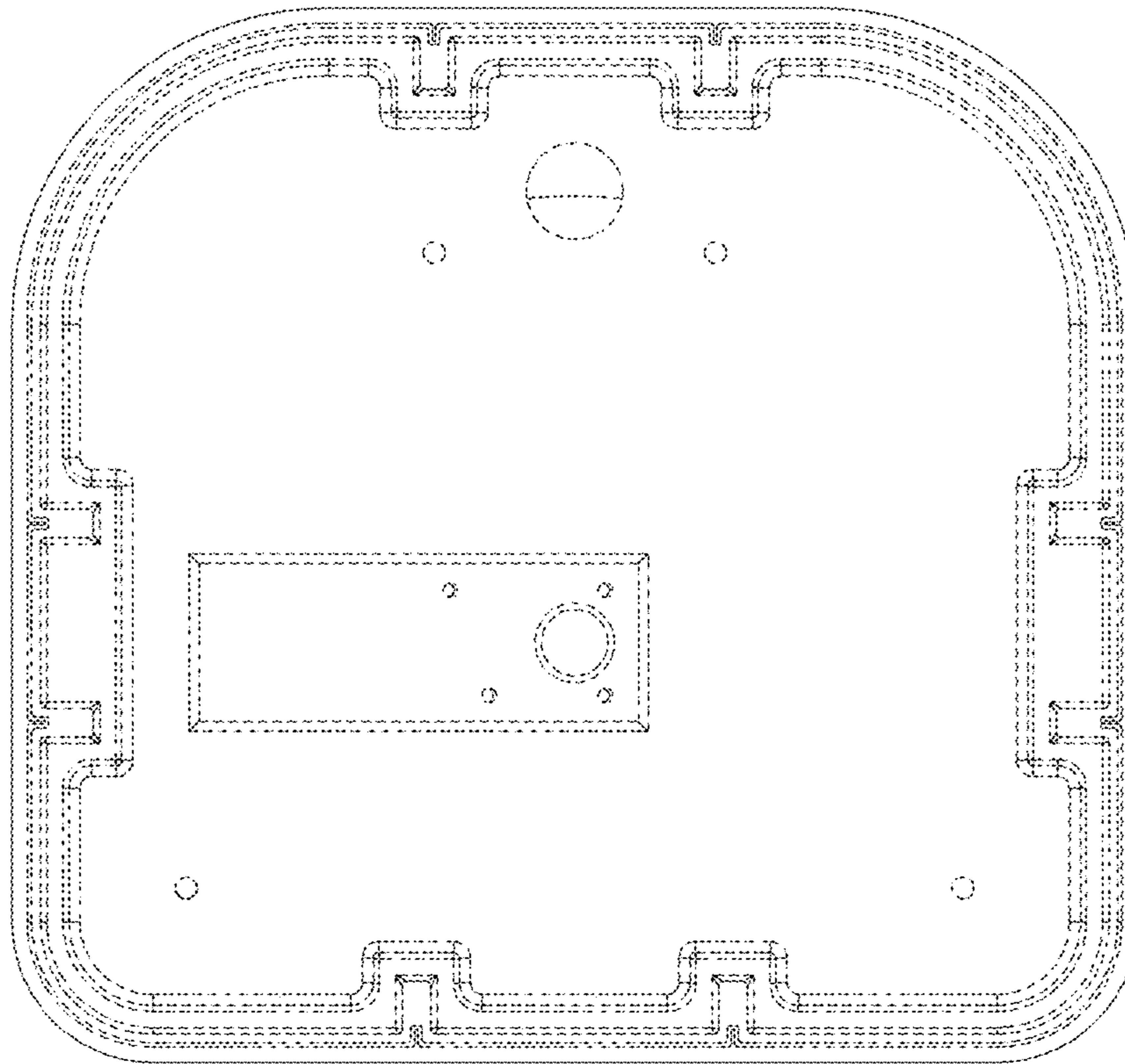


FIG. 5

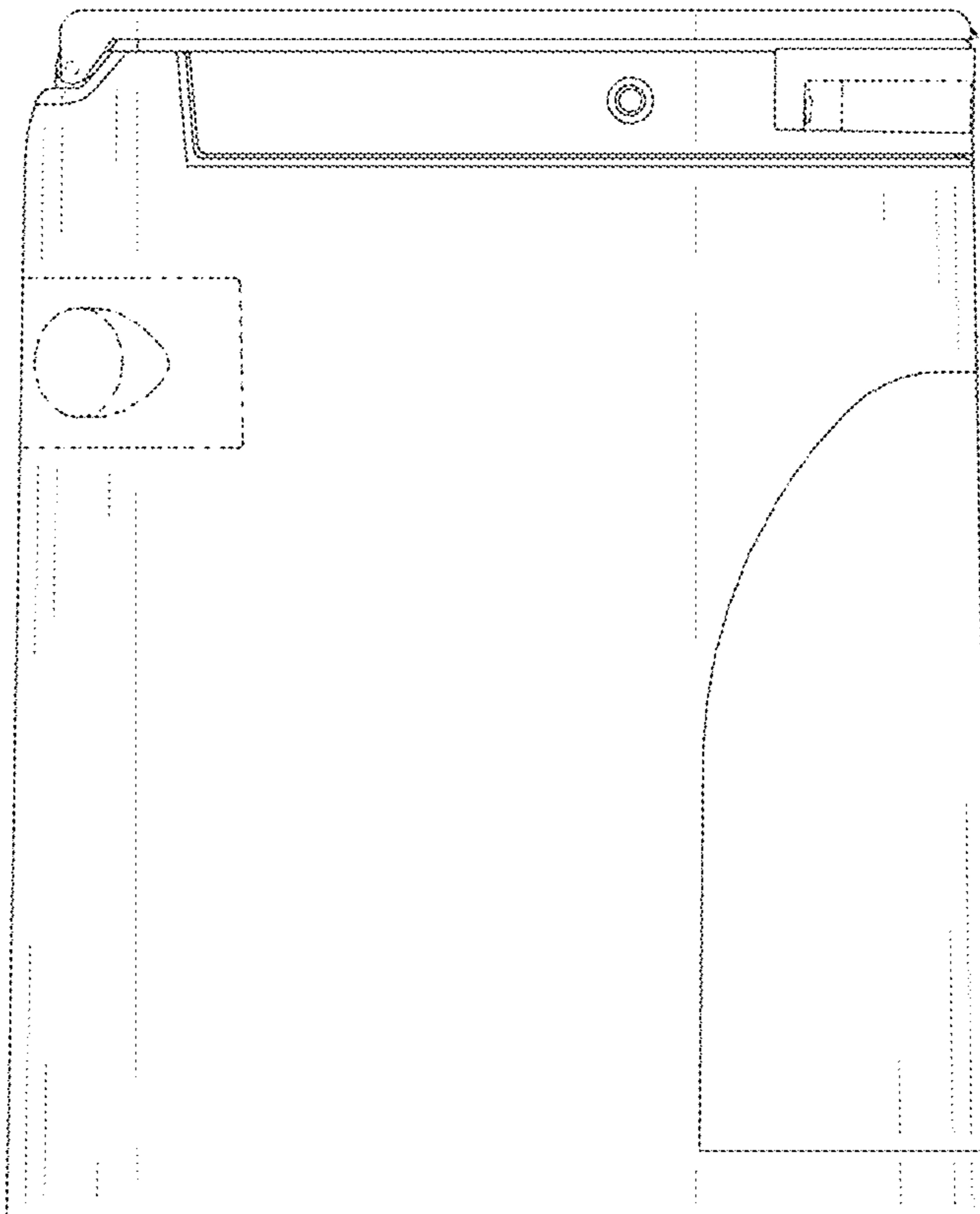


FIG. 6

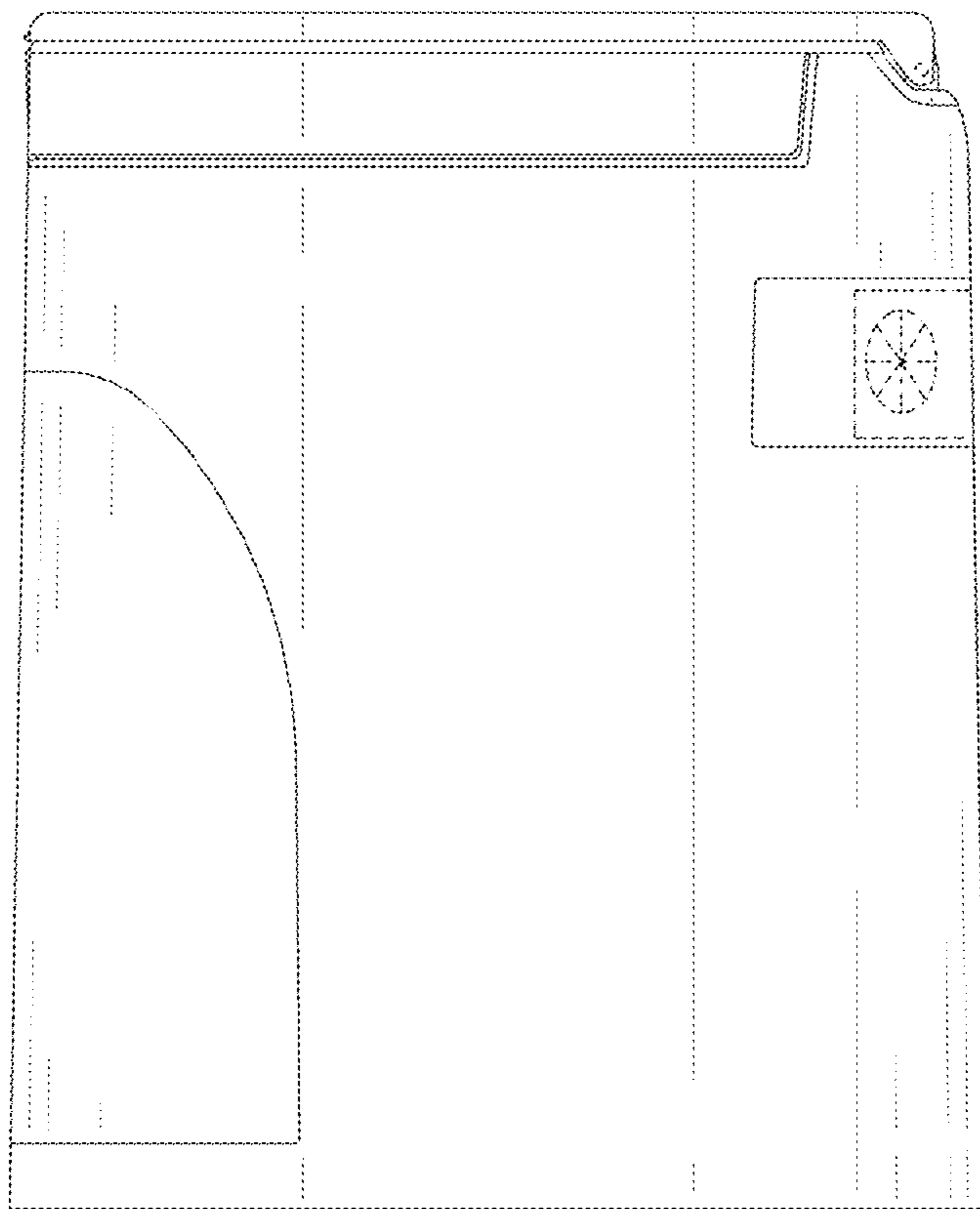


FIG. 7