

US00D992668S

(12) **United States Design Patent** (10) **Patent No.:** **US D992,668 S**  
**Whalen et al.** (45) **Date of Patent:** **\*\* Jul. 18, 2023**

(54) **BALL MARKER DEVICE**

(71) Applicants: **Daniel Whalen**, Boca Raton, FL (US);  
**Ronald Whalen**, Punta Gorda, FL  
(US); **Michael Sierra**, Parkland, FL  
(US)

(72) Inventors: **Daniel Whalen**, Boca Raton, FL (US);  
**Ronald Whalen**, Punta Gorda, FL  
(US); **Michael Sierra**, Parkland, FL  
(US)

(\*\*) Term: **15 Years**

(21) Appl. No.: **29/804,011**

(22) Filed: **Aug. 17, 2021**

(51) **LOC (14) Cl.** ..... **21-02**

(52) **U.S. Cl.**  
USPC ..... **D21/794**

(58) **Field of Classification Search**  
USPC ..... D21/700, 717, 789, 791-794; D2/865,  
D2/891, 895, 946, 609, 623, 639;  
D11/206, 207, 228, 78.1, 79, 86, 95, 96,  
D11/99, 108; D24/107, 133  
CPC ..... A63B 57/353; A63B 57/207; A63B 57/00;  
A63B 57/30; A63B 57/35; A63B 57/50  
See application file for complete search history.

(56) **References Cited**

**U.S. PATENT DOCUMENTS**

- D158,622 S \* 5/1950 Sherwin ..... 473/279
- D249,570 S \* 9/1978 Studt ..... D3/221
- D293,261 S \* 12/1987 Sadowski ..... D21/794
- D347,042 S \* 5/1994 Garcia ..... D21/721
- D428,954 S \* 8/2000 Tate ..... D21/793
- D445,039 S \* 7/2001 Finkay ..... D10/128
- D490,133 S \* 5/2004 Hadala ..... D21/717
- D495,748 S \* 9/2004 Leland ..... D20/17
- D516,657 S \* 3/2006 Caramico ..... D21/793
- D553,271 S \* 10/2007 Huang ..... D26/30
- D583,893 S \* 12/2008 Ruff ..... D21/794
- D603,925 S \* 11/2009 Hafdal ..... D21/793

- D744,035 S \* 11/2015 Nguyen ..... D19/113
- D779,608 S \* 2/2017 Gardiner ..... D21/793
- D859,556 S \* 9/2019 Kumpis ..... D21/794
- D935,543 S \* 11/2021 Vilhelmsen ..... D21/791

(Continued)

**OTHER PUBLICATIONS**

ReadyGolf Vintage Arrow Sign Ball Marker. Online, published date Nov. 18, 2021. Retrieved on Apr. 6, 2023 from URL: <https://www.amazon.com/ReadyGOLF-Vintage-Arrow-Marker-Crystals/dp/B09M7B3ZYF/>.\*

(Continued)

*Primary Examiner* — Omeed Agilee  
*Assistant Examiner* — David Truong

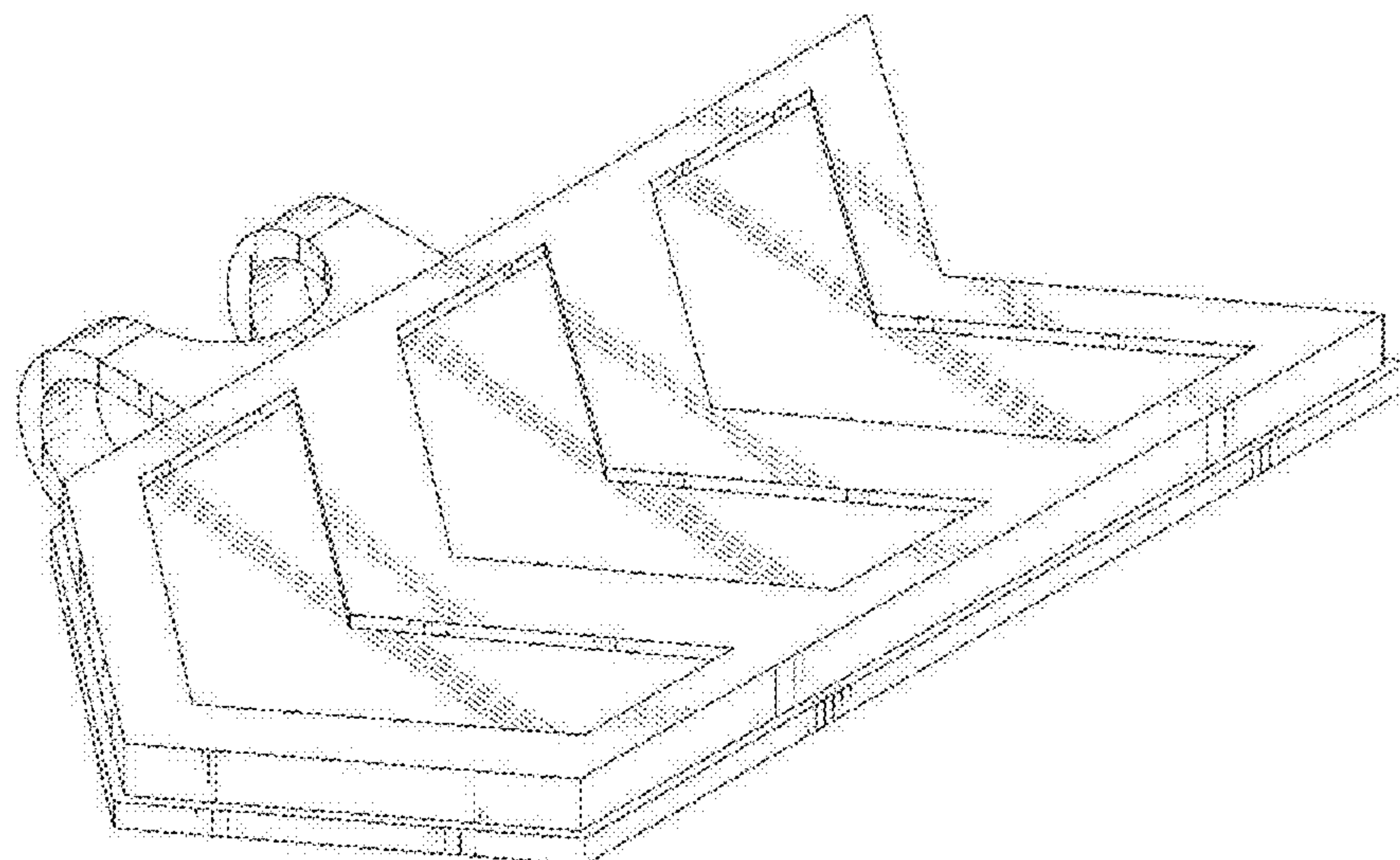
(57) **CLAIM**

The ornamental design for a ball marker device, as shown and described.

**DESCRIPTION**

FIG. 1 is a top-front-left perspective view of a ball marker device showing our new design;  
FIG. 2 is a bottom-rear-right perspective view thereof;  
FIG. 3 is a front elevational view thereof;  
FIG. 4 is a rear elevational view thereof;  
FIG. 5 is a left-side elevational view thereof;  
FIG. 6 is a right-side elevational view thereof;  
FIG. 7 is a top plan view thereof;  
FIG. 8 is a bottom plan view thereof;  
FIG. 9 is a top-front-left exploded perspective view thereof, wherein a deployable indicator is shown separated from a base component; and,  
FIG. 10 is a bottom-rear-right exploded perspective view thereof, wherein the deployable indicator is shown separated from the base component.  
The broken line showing a magnetic fastener in FIG. 10 is included for the purpose of illustrating environmental structure and forms no part of the claimed design.

**1 Claim, 10 Drawing Sheets**



(56)

**References Cited**

U.S. PATENT DOCUMENTS

D937,375 S \* 11/2021 Cameron ..... D21/794  
D955,521 S \* 6/2022 Cameron ..... D21/794

OTHER PUBLICATIONS

BettGolf Golf Hat Clip with Magnetic Ball Marker. Online, published date Aug. 5, 2020. Retrieved on Apr. 6, 2023 from URL: <https://www.amazon.com/BettGolf-Magnetic-Durable-Removable-Attaches/dp/B08KW78KZZ/?th=1>.\*

\* cited by examiner

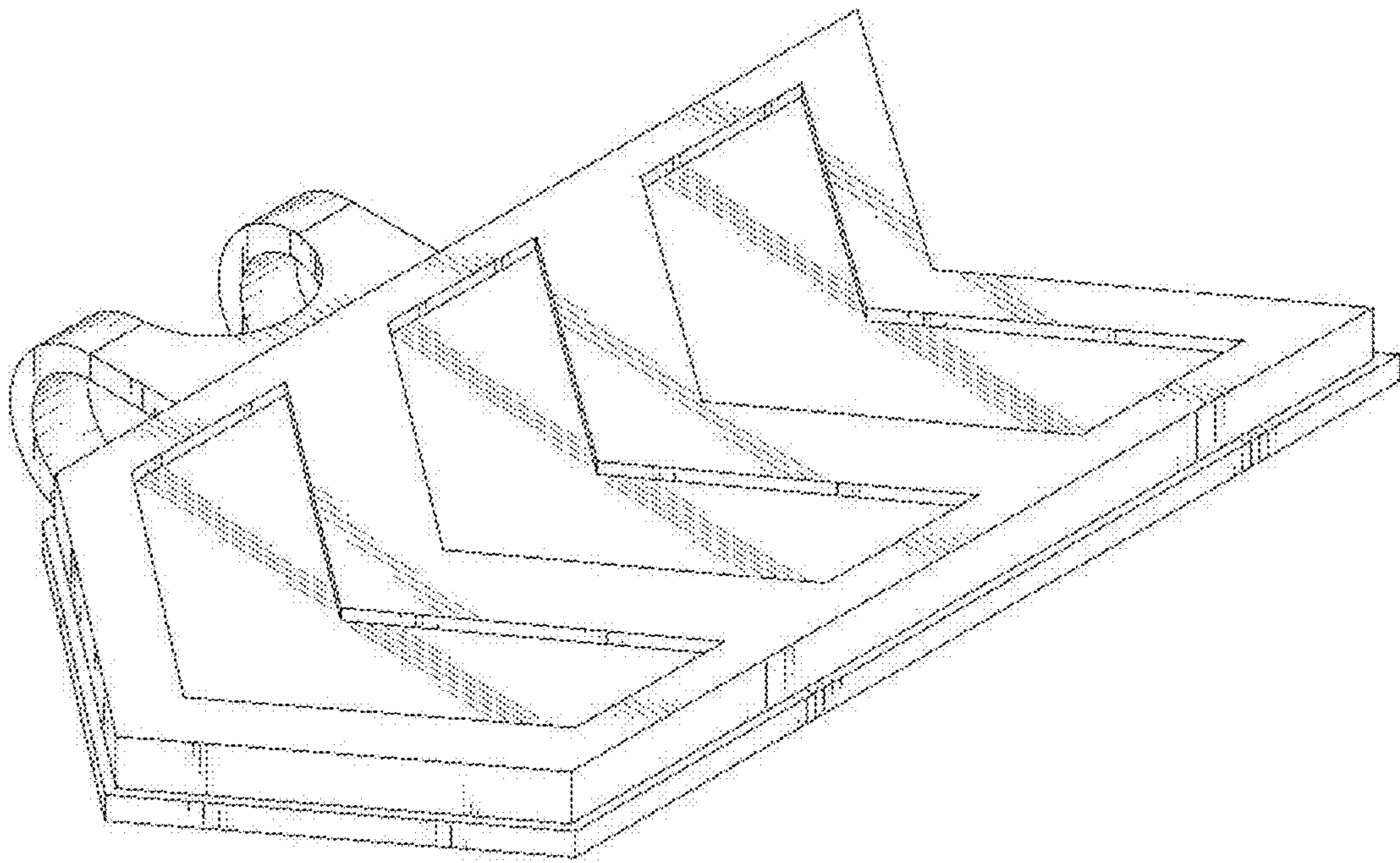


FIG. 1

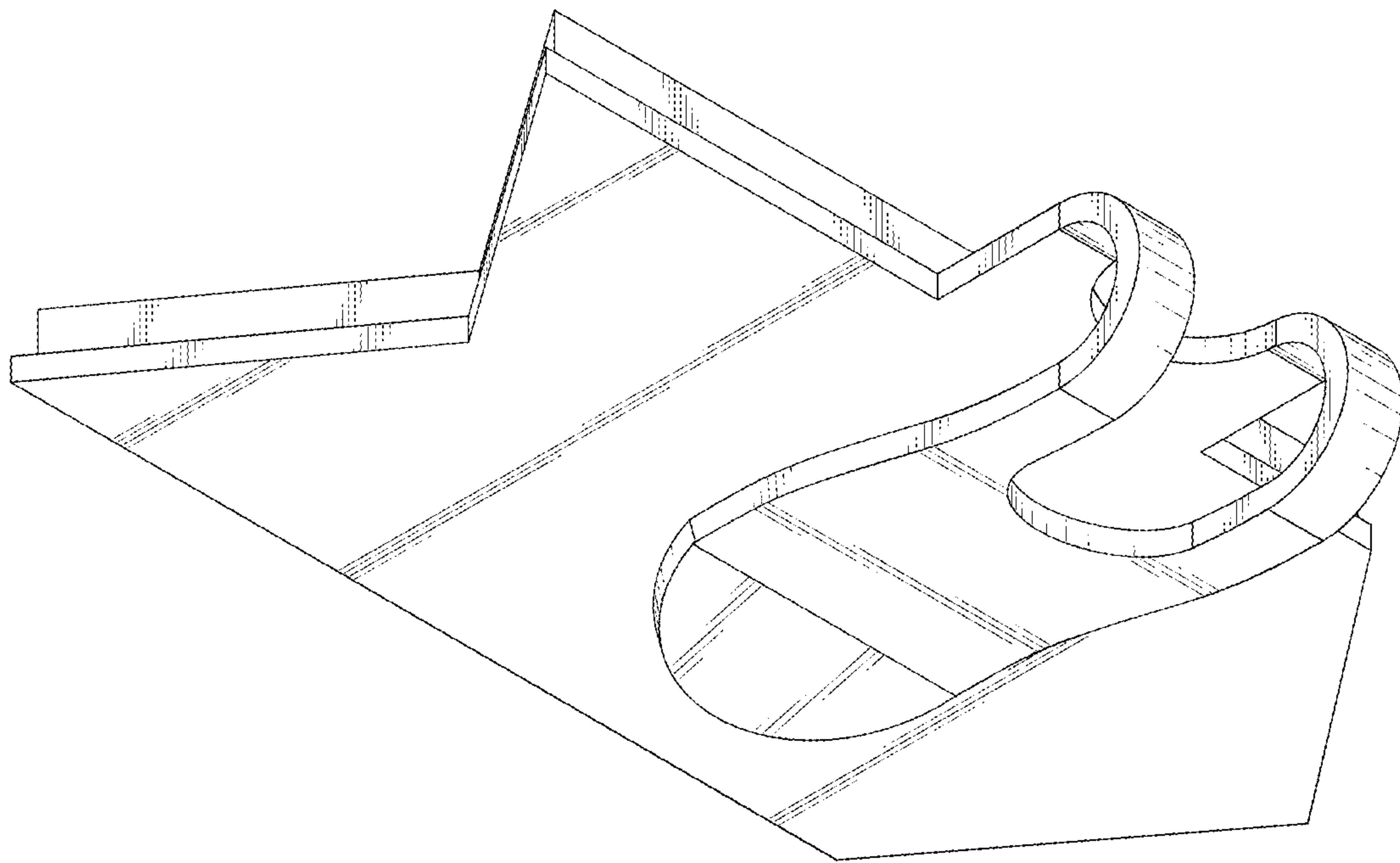


FIG. 2

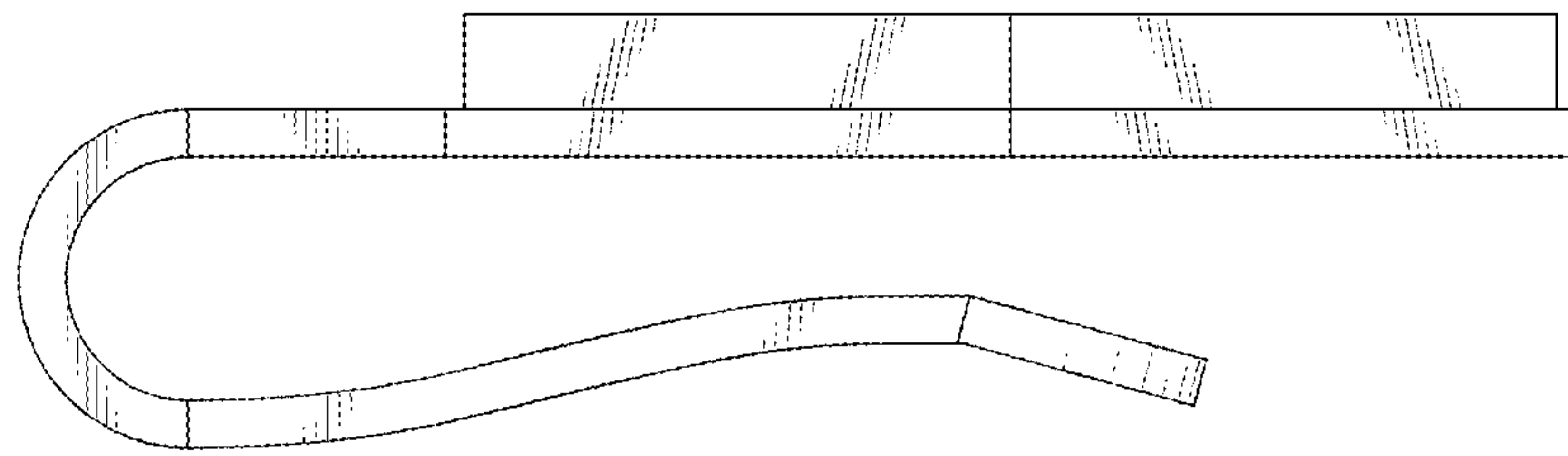


FIG. 3

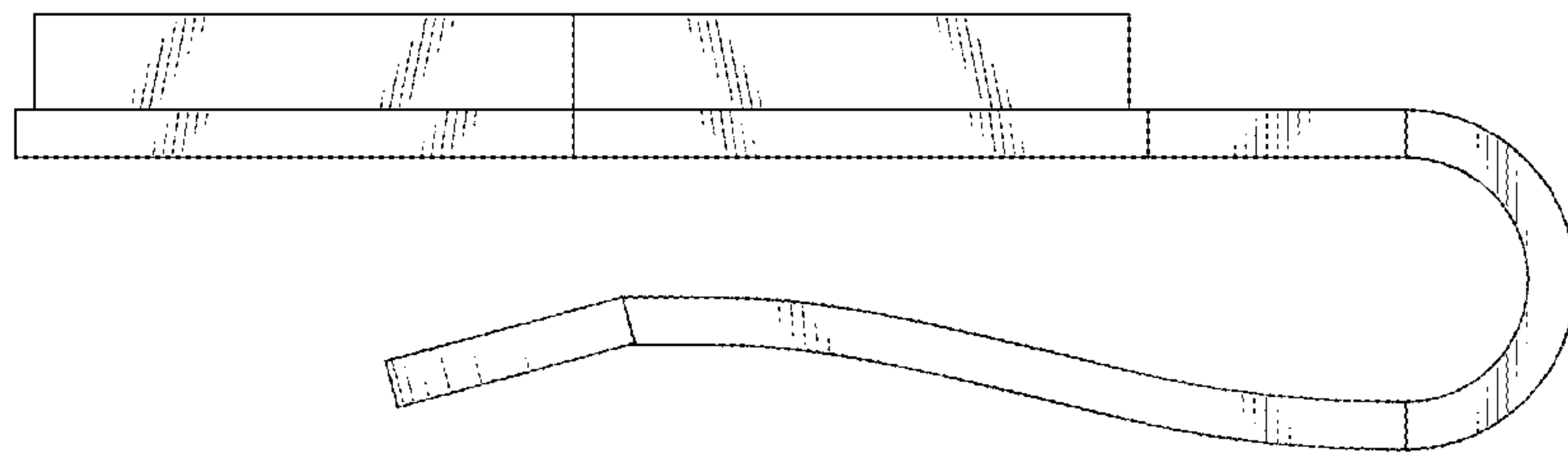


FIG. 4



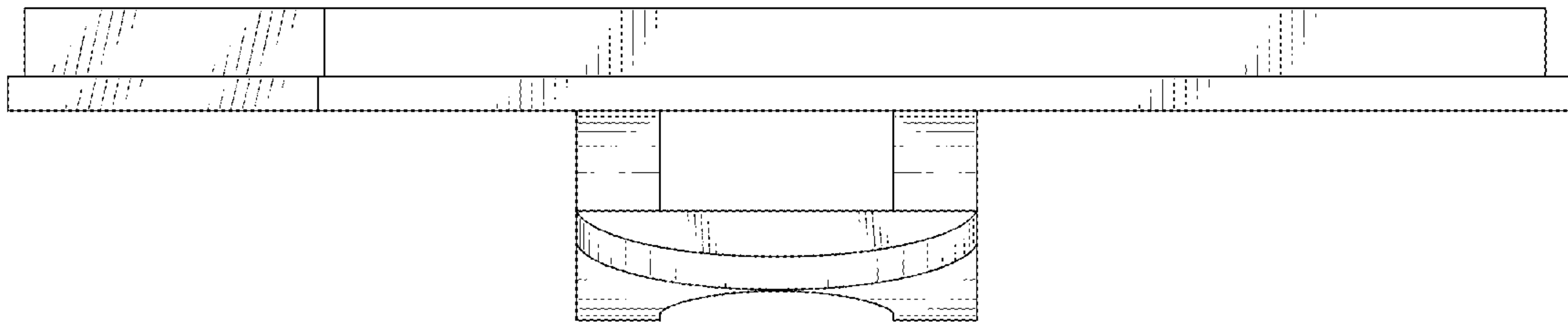


FIG. 5

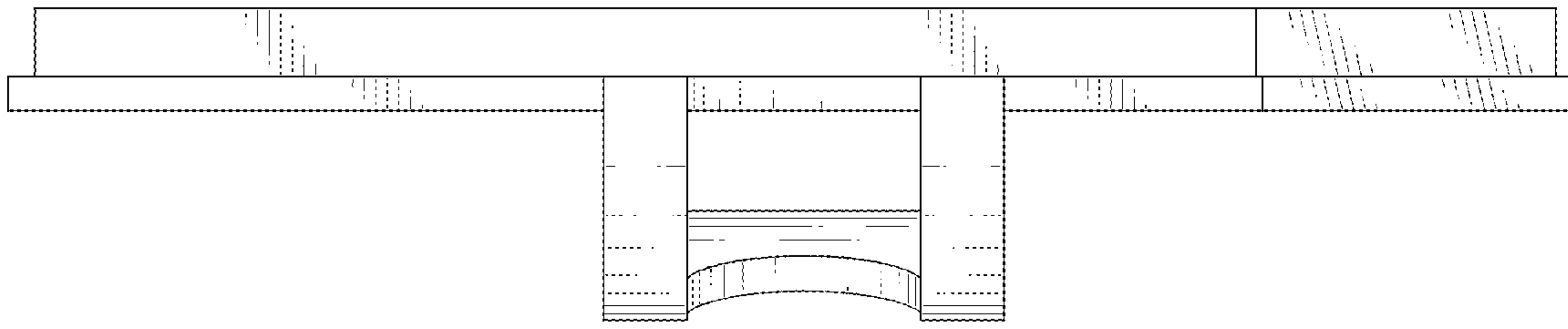


FIG. 6



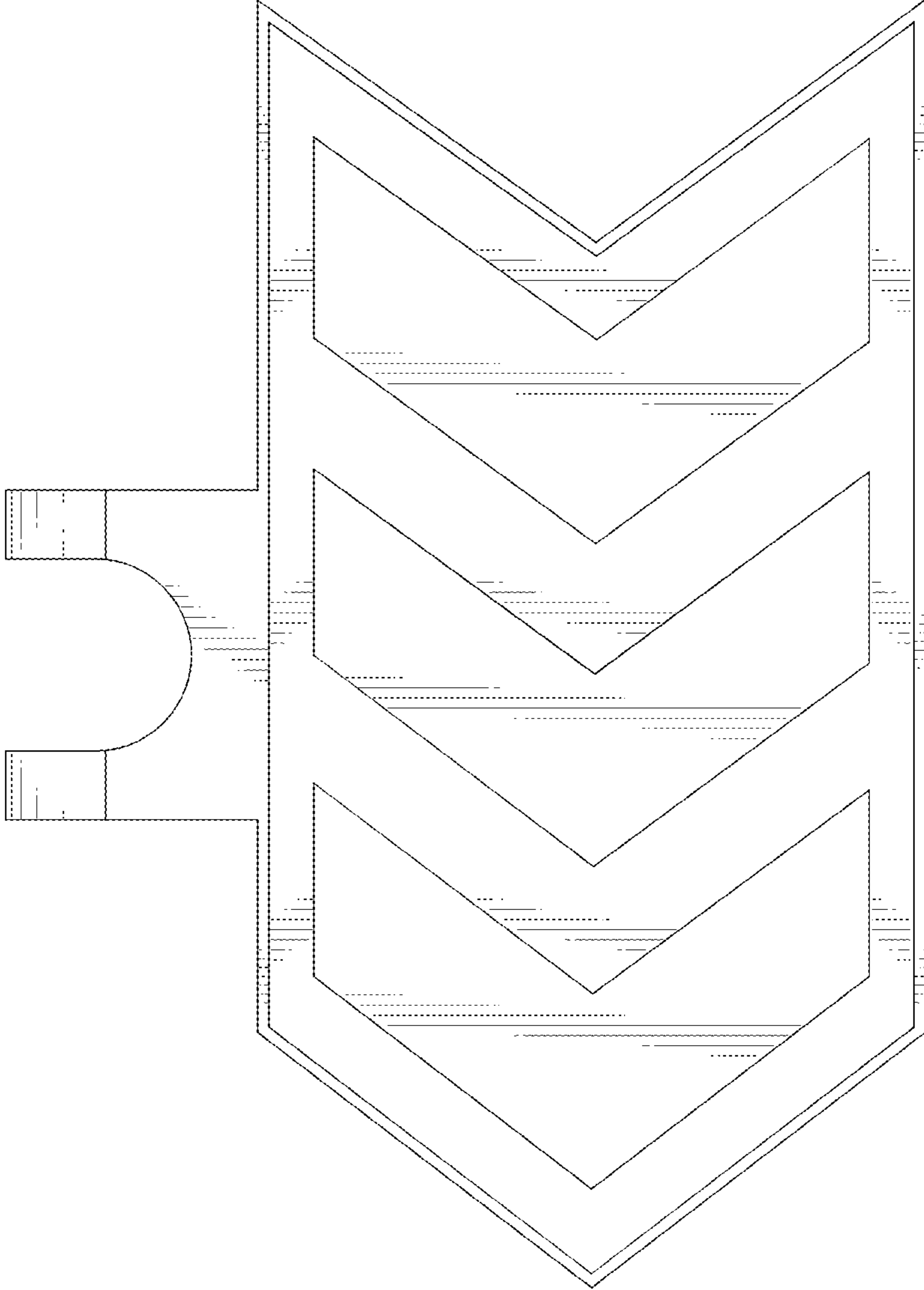


FIG. 7

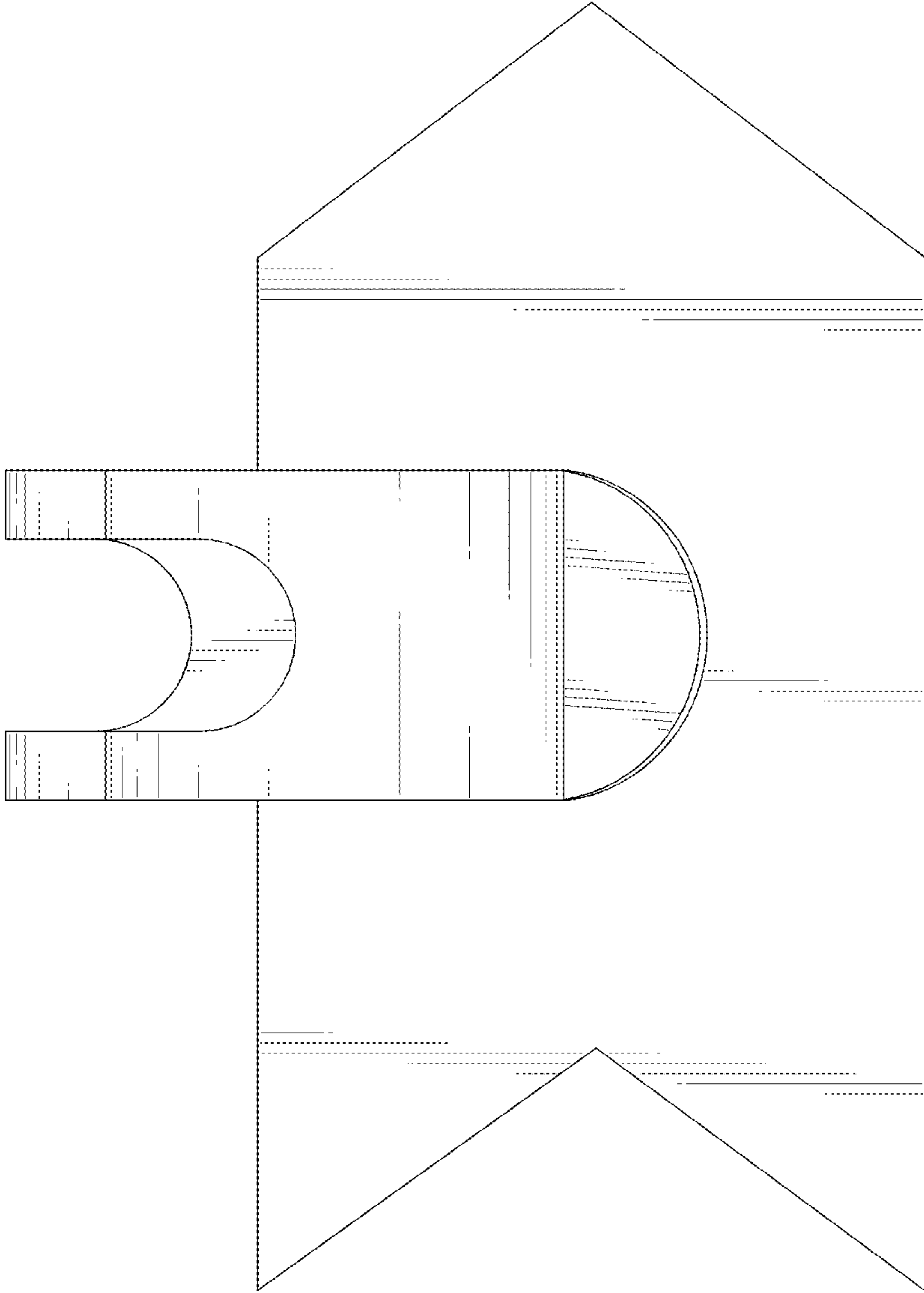


FIG. 8

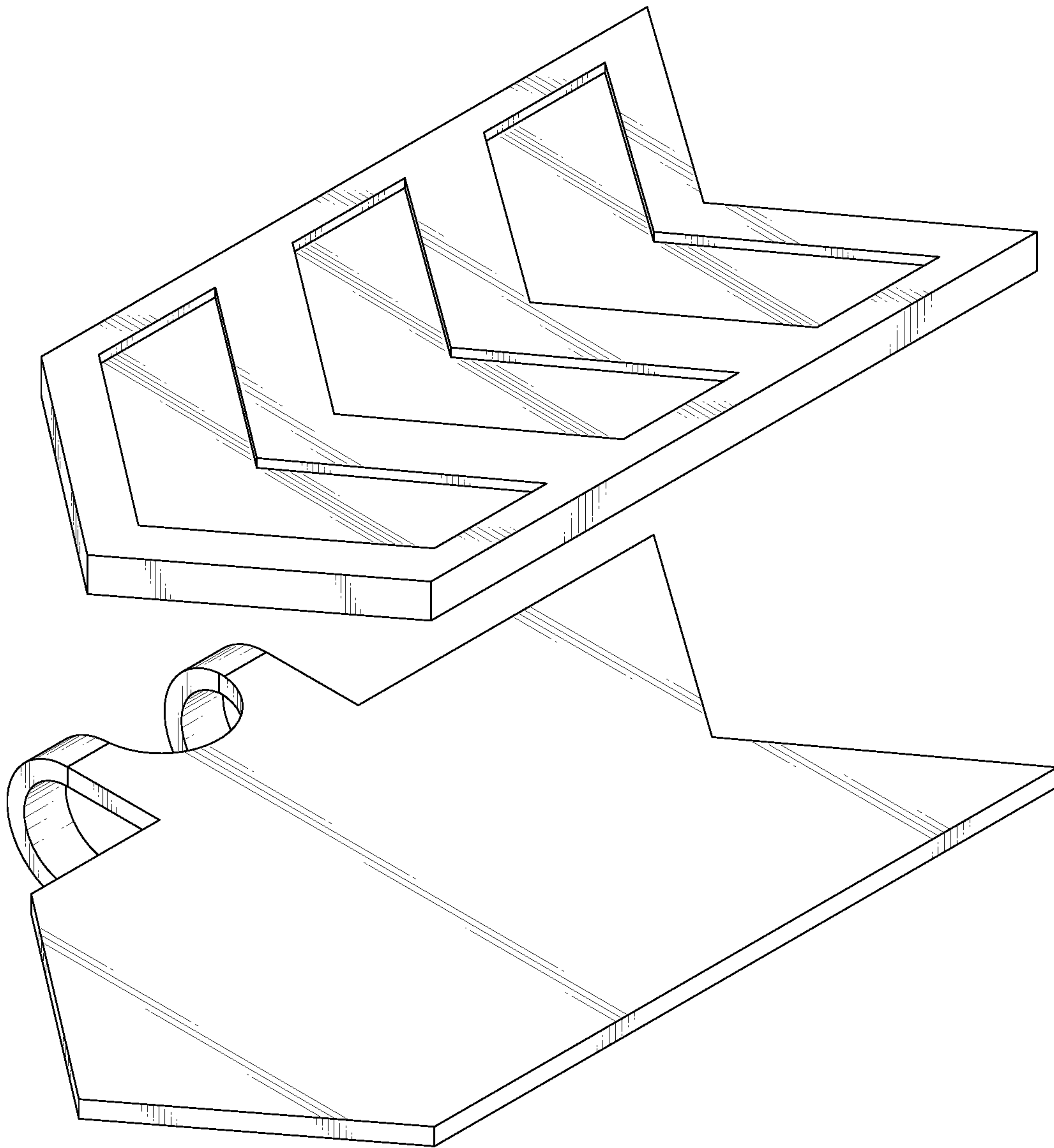


FIG. 9

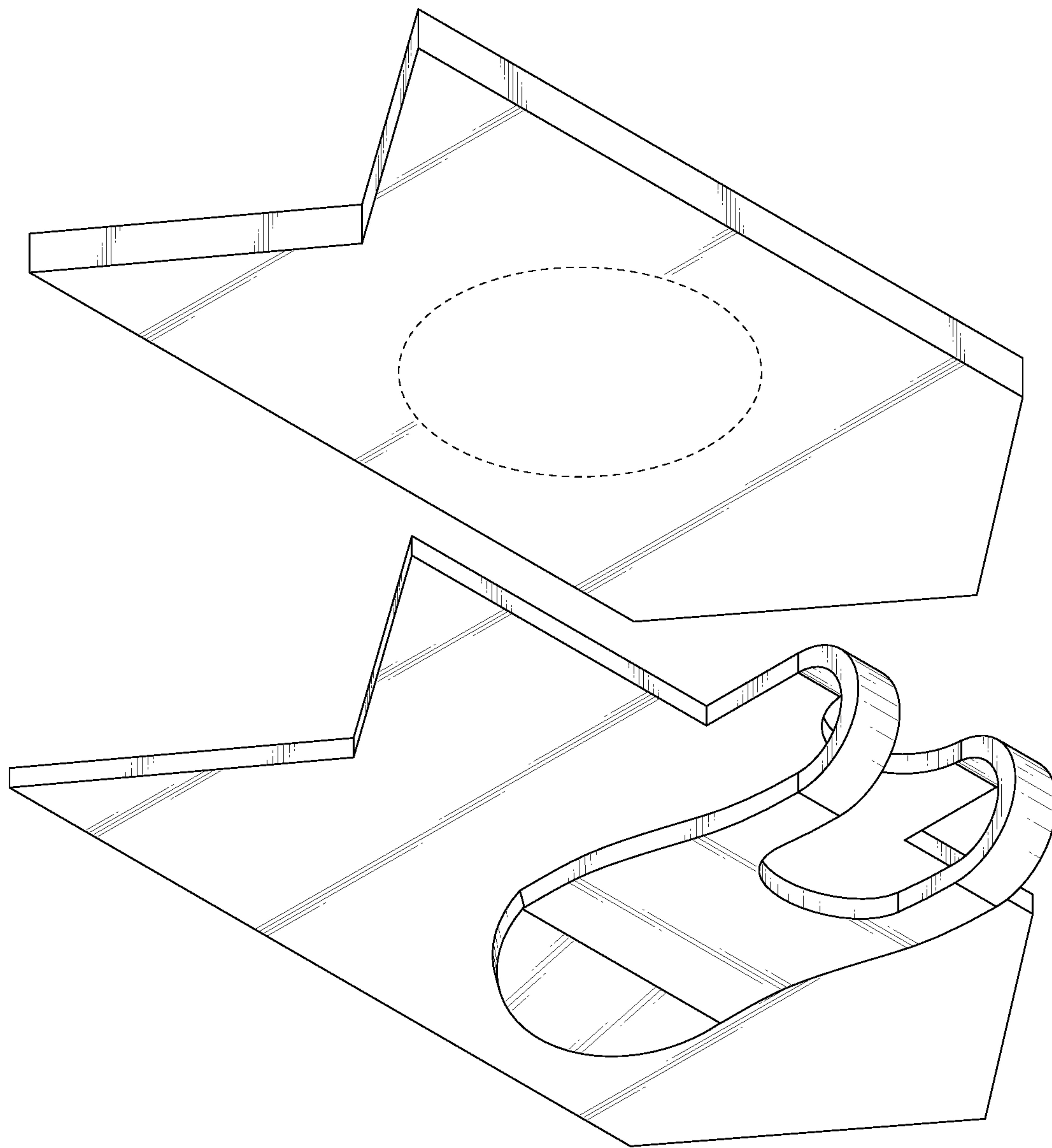


FIG. 10