



US00D992645S

(12) **United States Design Patent**
Nield

(10) **Patent No.:** **US D992,645 S**

(45) **Date of Patent:** **** Jul. 18, 2023**

(54) **HANDHELD CONTROLLER FOR A FLIGHT
SIMULATOR OR A REMOTELY
CONTROLLED AIRCRAFT**

D749,527 S * 2/2016 Li D14/218
9,522,726 B1 12/2016 Bowers
9,533,219 B2 1/2017 Burgess et al.
(Continued)

(71) Applicant: **Yawman LLC**, Carmel, IN (US)

FOREIGN PATENT DOCUMENTS

(72) Inventor: **Thomas Michael Nield**, Frisco, TX
(US)

KR 101392265 5/2014

(73) Assignee: **Yawman LLC**, Carmel, IN (US)

OTHER PUBLICATIONS

(**) Term: **15 Years**

FrSky, Taranis X-Lite Pro, published on Dec. 4, 2019 [online].
Retrieved from internet (Date: Feb. 14, 2023), https://www.amazon.com/FrSky-Installed-Protocol-Wireless-Training/dp/B07QJ38Q1X/ref=cm_cr_arp_d_product_top?ie=UTF8 (Year: 2019).*

(21) Appl. No.: **29/800,809**

(Continued)

(22) Filed: **Jul. 23, 2021**

(51) **LOC (14) Cl.** **21-01**

Primary Examiner — Katherine A Holbrow

(52) **U.S. Cl.**

Assistant Examiner — Riya Salil Kamat

USPC **D21/333**; D14/401

(74) *Attorney, Agent, or Firm* — Henry Patent Law Firm
PLLC

(58) **Field of Classification Search**

USPC D21/333; D14/401

CPC A63F 13/24; A63F 13/26; A63F 13/92;

A63F 13/98; A63F 13/22; A63F 13/285;

H01H 2231/008; H01H 9/0214

See application file for complete search history.

(57) **CLAIM**

The ornamental design for a handheld controller for a flight simulator or a remotely controlled aircraft, as shown and described.

DESCRIPTION

(56) **References Cited**

U.S. PATENT DOCUMENTS

867,640 A	10/1907	Burnah	
6,128,006 A	10/2000	Rosenberg et al.	
D453,932 S	2/2002	Han et al.	
D504,430 S *	4/2005	Takahashi	D14/401
D546,904 S *	7/2007	Bowen	D21/566
D573,204 S *	7/2008	Arai	D21/566
D670,768 S *	11/2012	Isono	D21/566
D672,397 S *	12/2012	Wai	D14/401
D685,434 S *	7/2013	Ali	D14/401
D707,758 S *	6/2014	Norman	D14/401
D712,982 S *	9/2014	Barajas	D21/566
8,932,135 B2	1/2015	Coe	
D735,721 S *	8/2015	Mar	D14/401
D740,708 S *	10/2015	Pecorari	D21/566

FIG. 1 is a top right rear perspective view of an embodiment of a handheld controller for a flight simulator or a remotely controlled aircraft;

FIG. 2 is a top right front perspective view thereof;

FIG. 3 is a top view thereof;

FIG. 4 is a bottom view thereof;

FIG. 5 is a right view thereof;

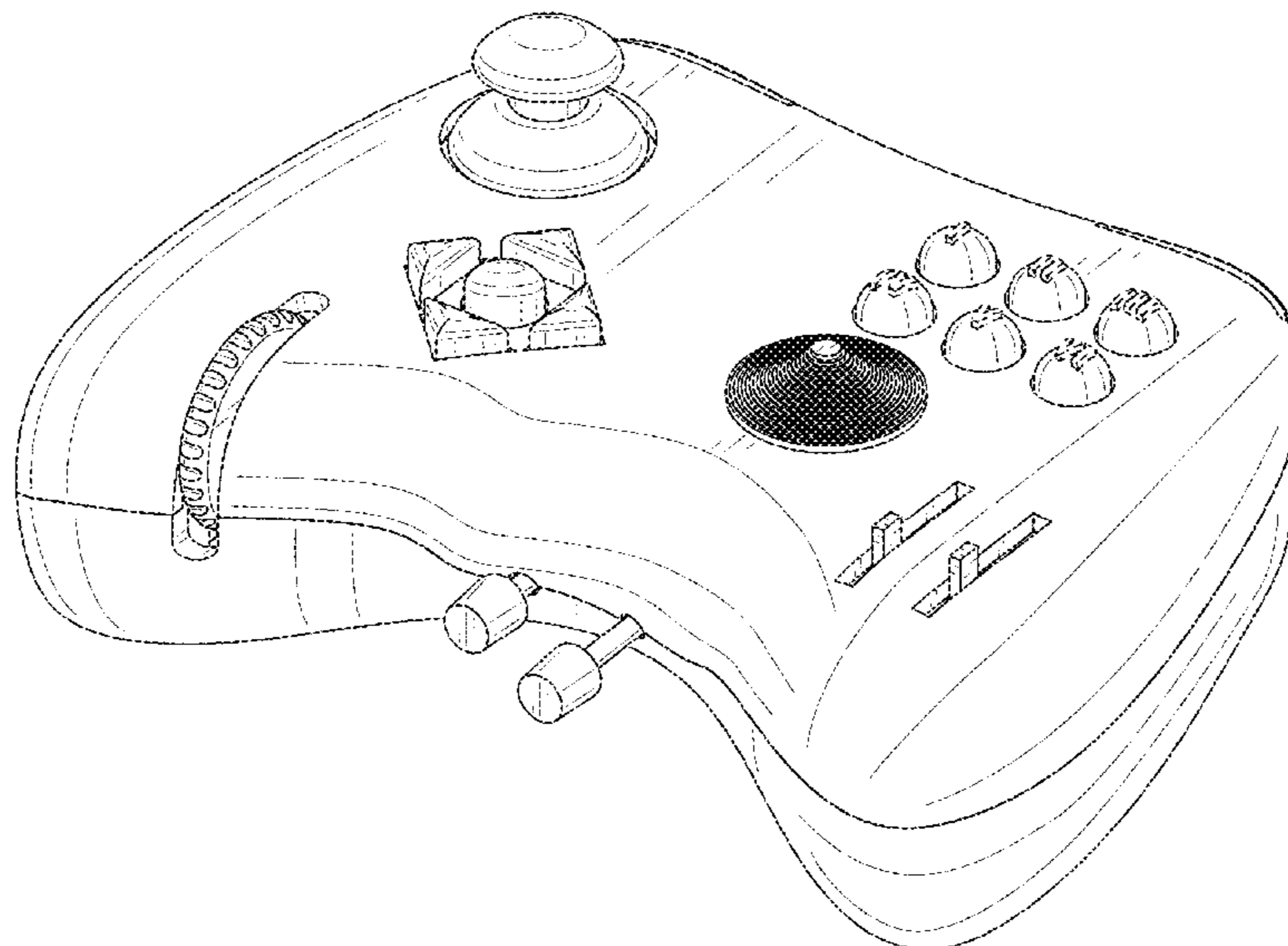
FIG. 6 is a left view thereof;

FIG. 7 is a front view thereof; and,

FIG. 8 is a rear view thereof.

The broken lines depict portions of the handheld controller for a flight simulator or a remotely controlled aircraft that form no part of the claimed design.

1 Claim, 7 Drawing Sheets



(56)

References Cited

U.S. PATENT DOCUMENTS

D780,269	S *	2/2017	Isono	D21/566
D806,078	S *	12/2017	Goldman	D14/401
10,232,254	B2	3/2019	Gassoway et al.		
D856,334	S *	8/2019	Salter	D14/401
10,427,035	B2	10/2019	Schmitz et al.		
D870,825	S *	12/2019	Wang	D21/566
D872,185	S	1/2020	Chatterjee et al.		
D885,497	S *	5/2020	Miller	D21/333
D892,115	S *	8/2020	Gan	D14/401
10,994,197	B2	5/2021	Schmitz		
2014/0111317	A1 *	4/2014	Shen	A63H 30/04 340/12.22
2018/0095492	A1 *	4/2018	Matloff	G05G 5/05
2018/0104574	A1 *	4/2018	Tager	A63F 13/20

OTHER PUBLICATIONS

BETAFPV, Literadio 2 SE Transmitter, published on Mar. 9, 2021 [online]. Retrieved from internet (Date: Feb. 14, 2023), https://www.amazon.com/BETAFPV-Literadio-Transmitter-Throttle-Controller/dp/B08PV3QRTG/ref=cm_cr_arp_d_product_top?ie=UTF8 (Year: 2021).*

FSELite, Yawman Arrow, published on Jan. 17, 2023 [online]. Retrieved from internet (Date: Feb. 14, 2023), <https://fselite.net/content/first-look-yawman-arrow/> (Year: 2023).*

Yawman Flight, Yawman Arrow, published on Jan. 17, 2023 [online]. Retrieved from internet (Date: Feb. 14, 2023), <https://yawmanflight.com/blogs/news/introducing-the-yawman-arrow> (Year: 2023).*

“Looking for advice on improvements for HOTAS/gamepad.”, Reddit; downloaded May 5, 2021, from https://www.reddit.com/r/HotasDIY/comments/n1ql33/looking_for_advice_on_improvements_for/, 11 pgs.

* cited by examiner

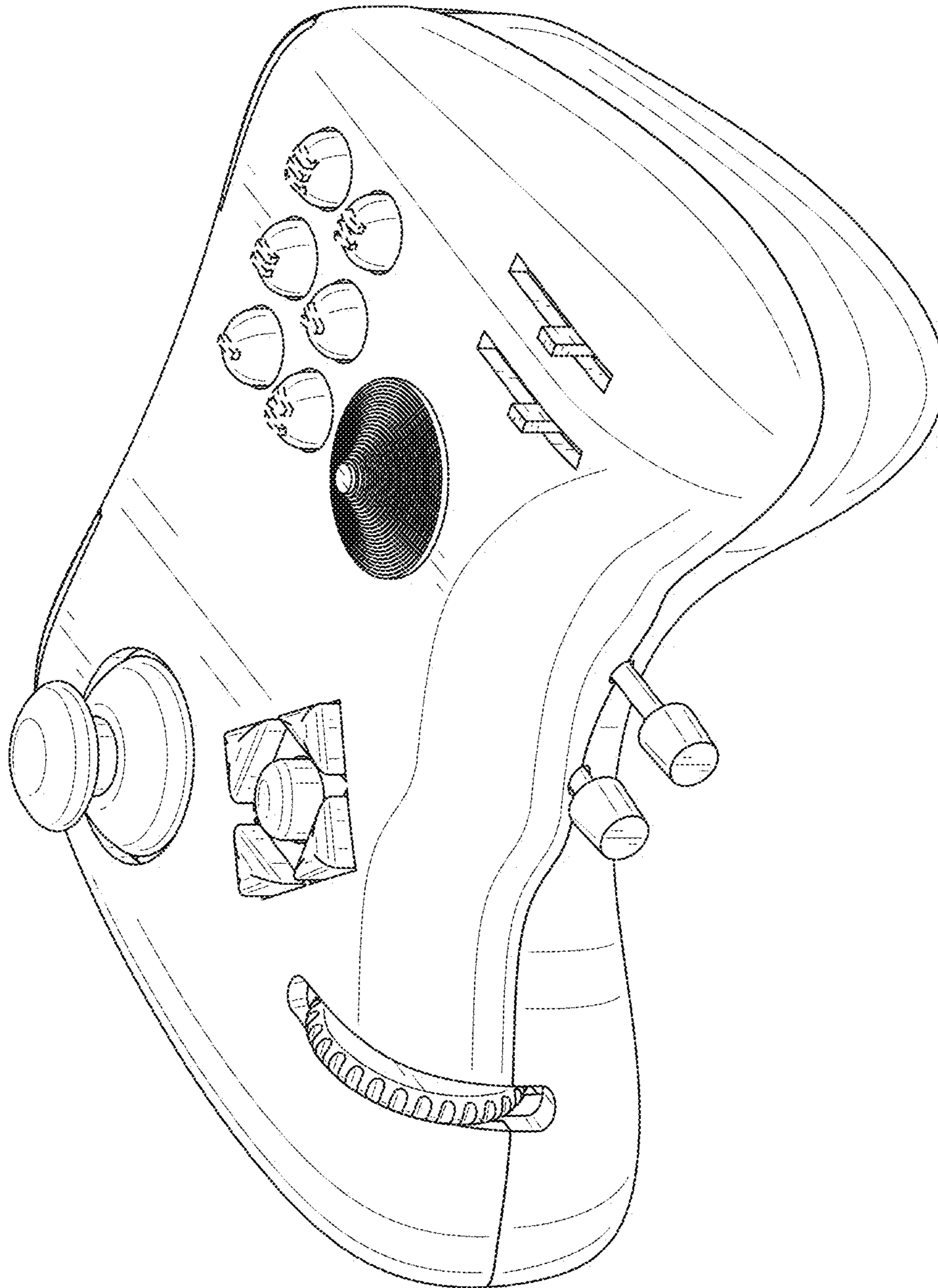


FIG. 1

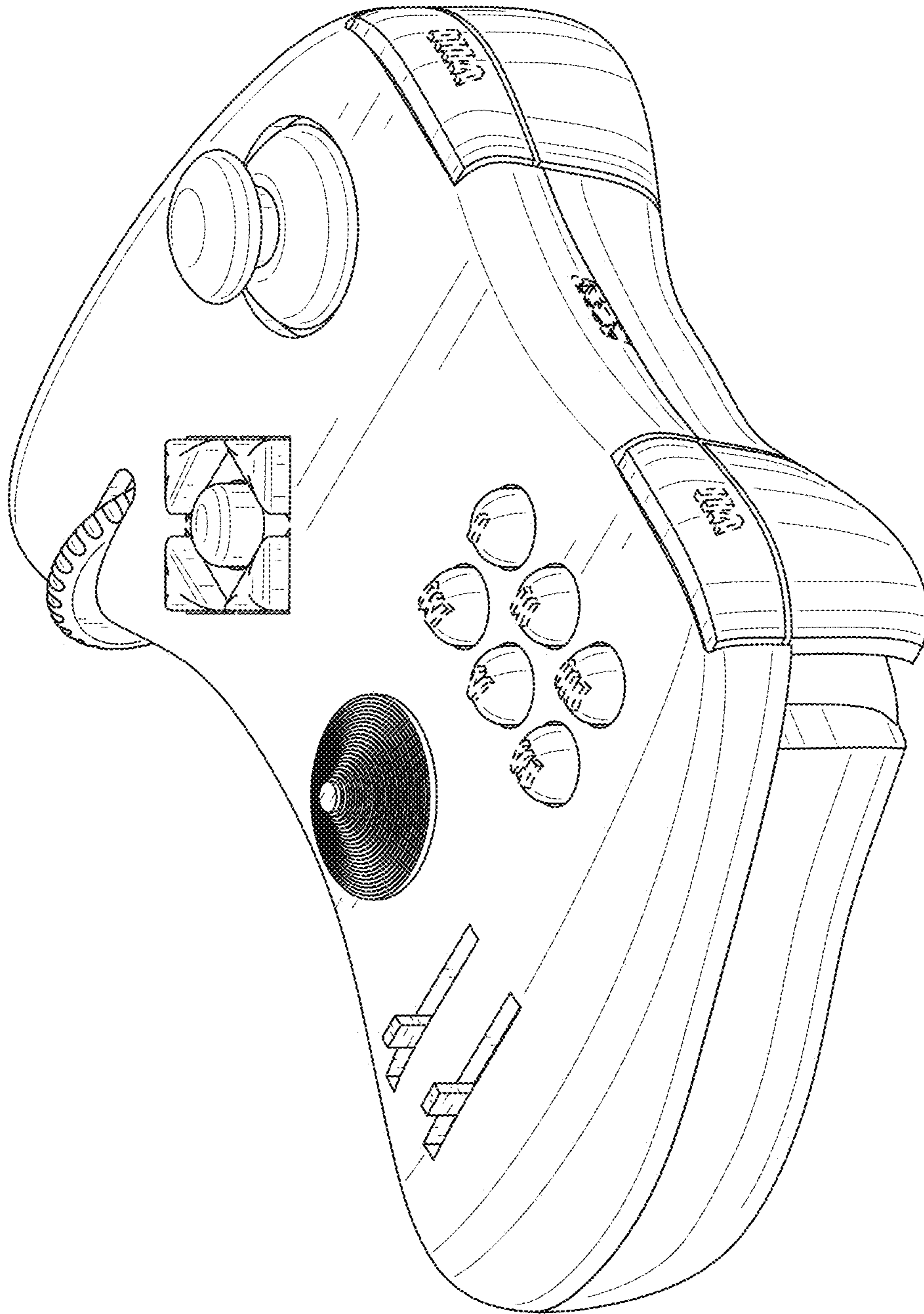


FIG. 2

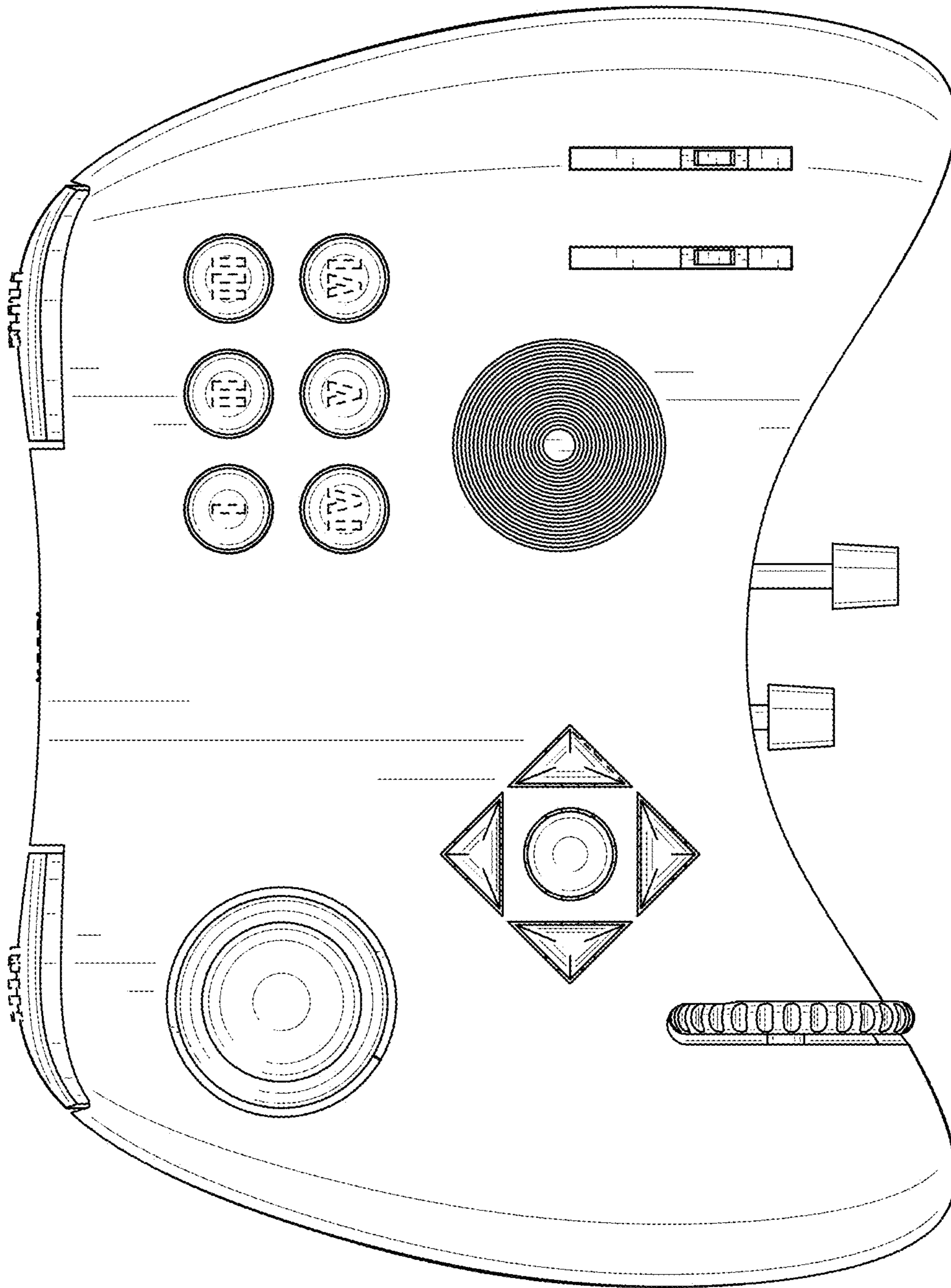


FIG. 3

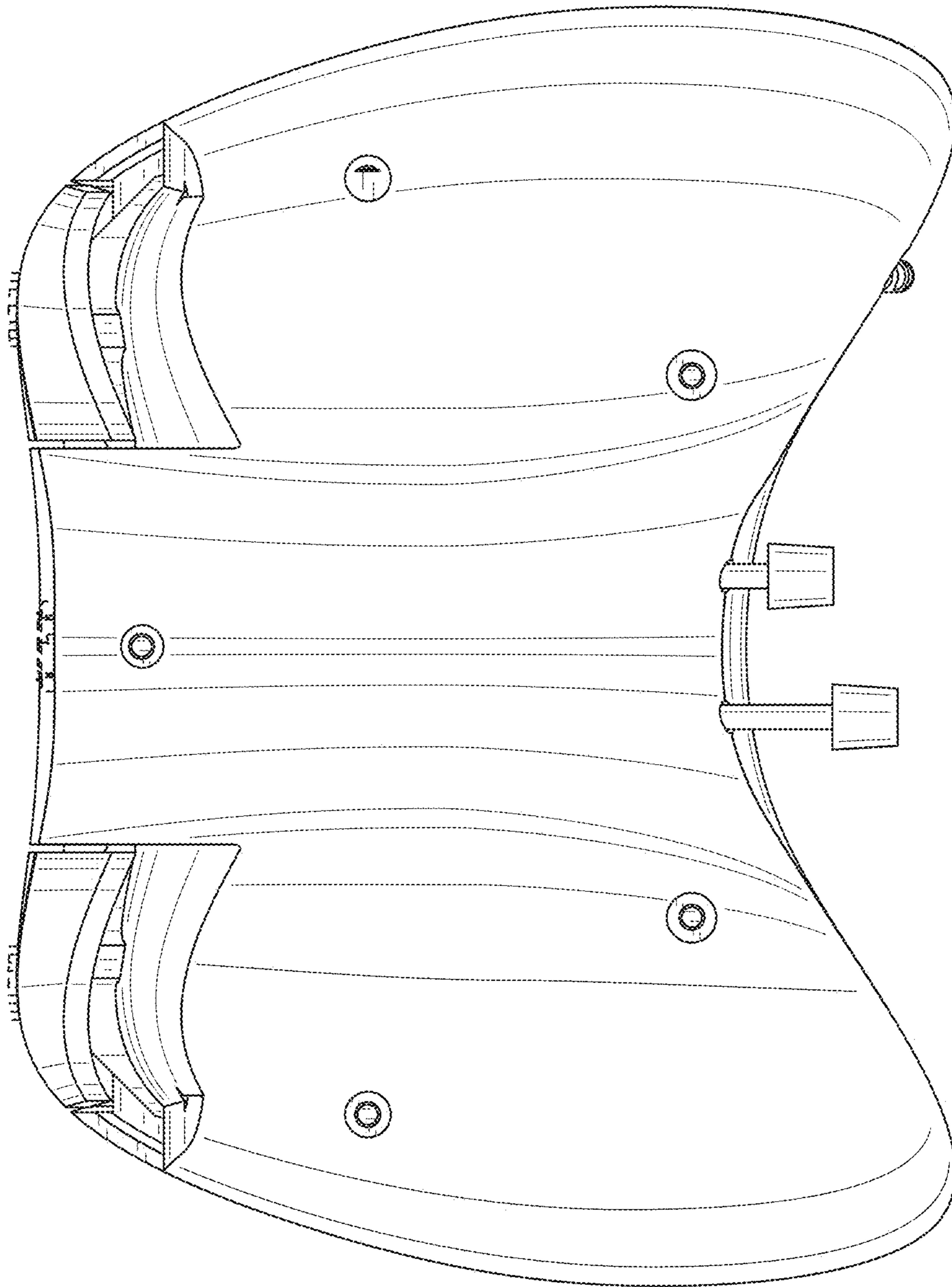


FIG. 4

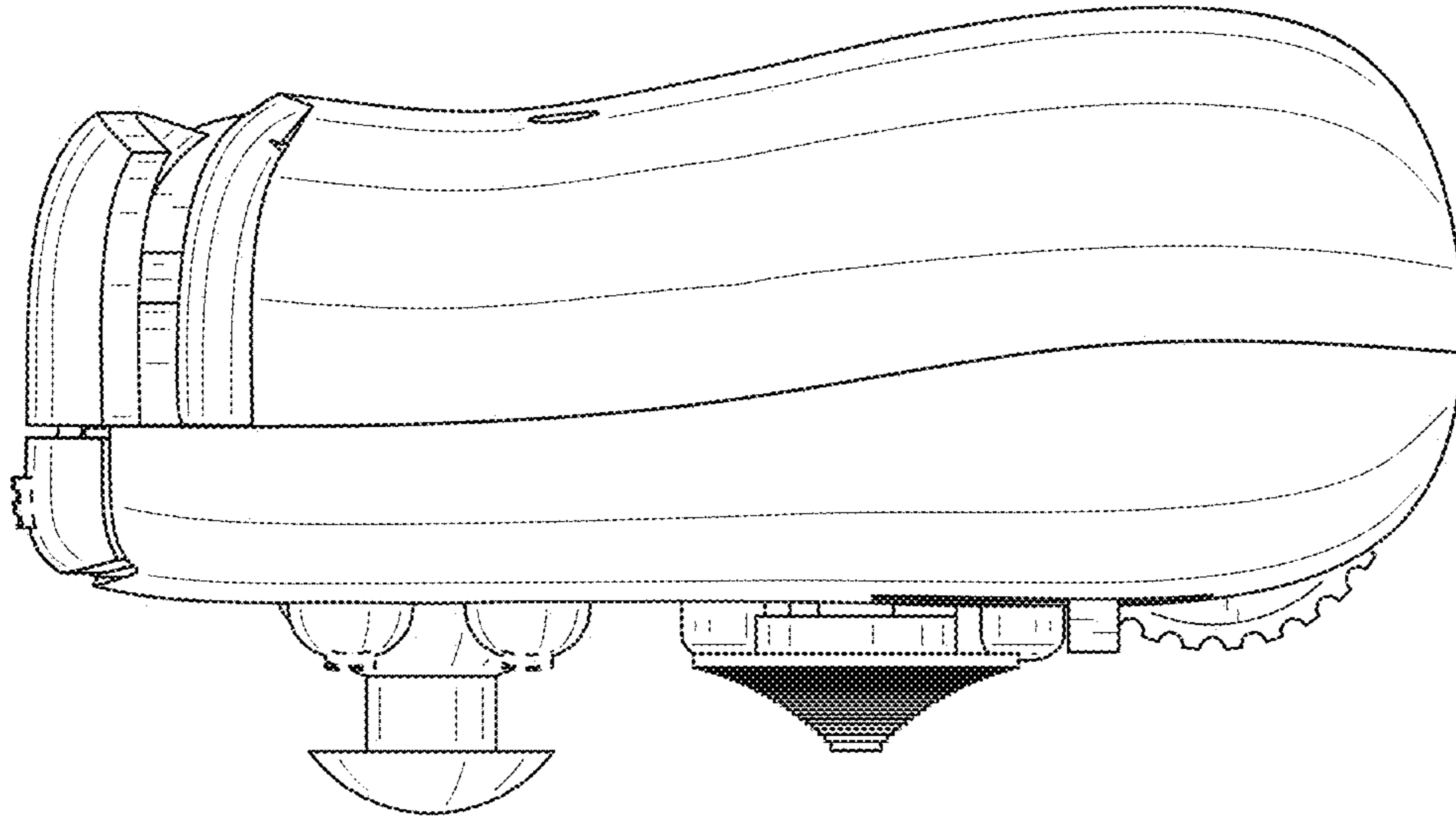


FIG. 5

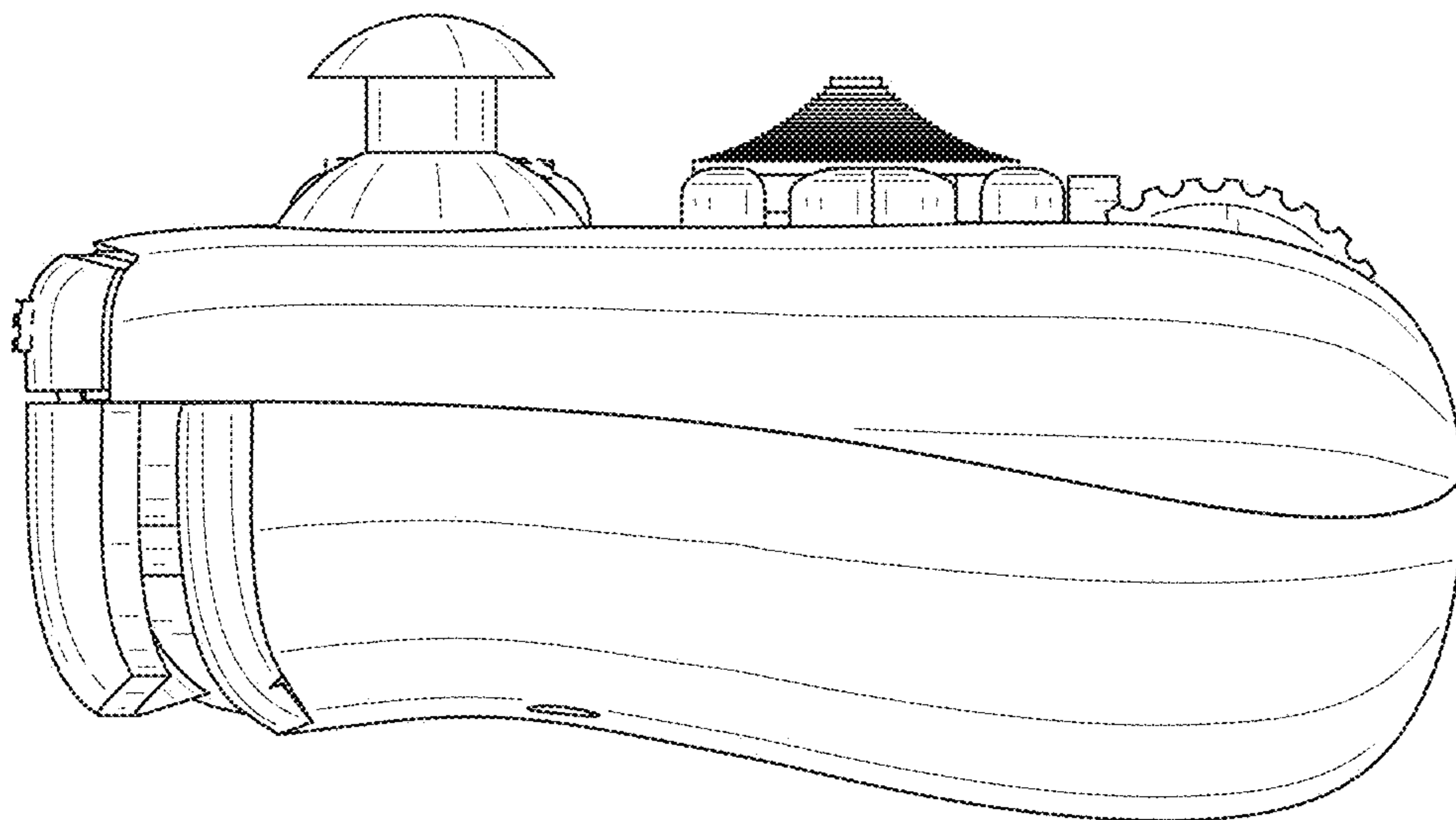


FIG. 6

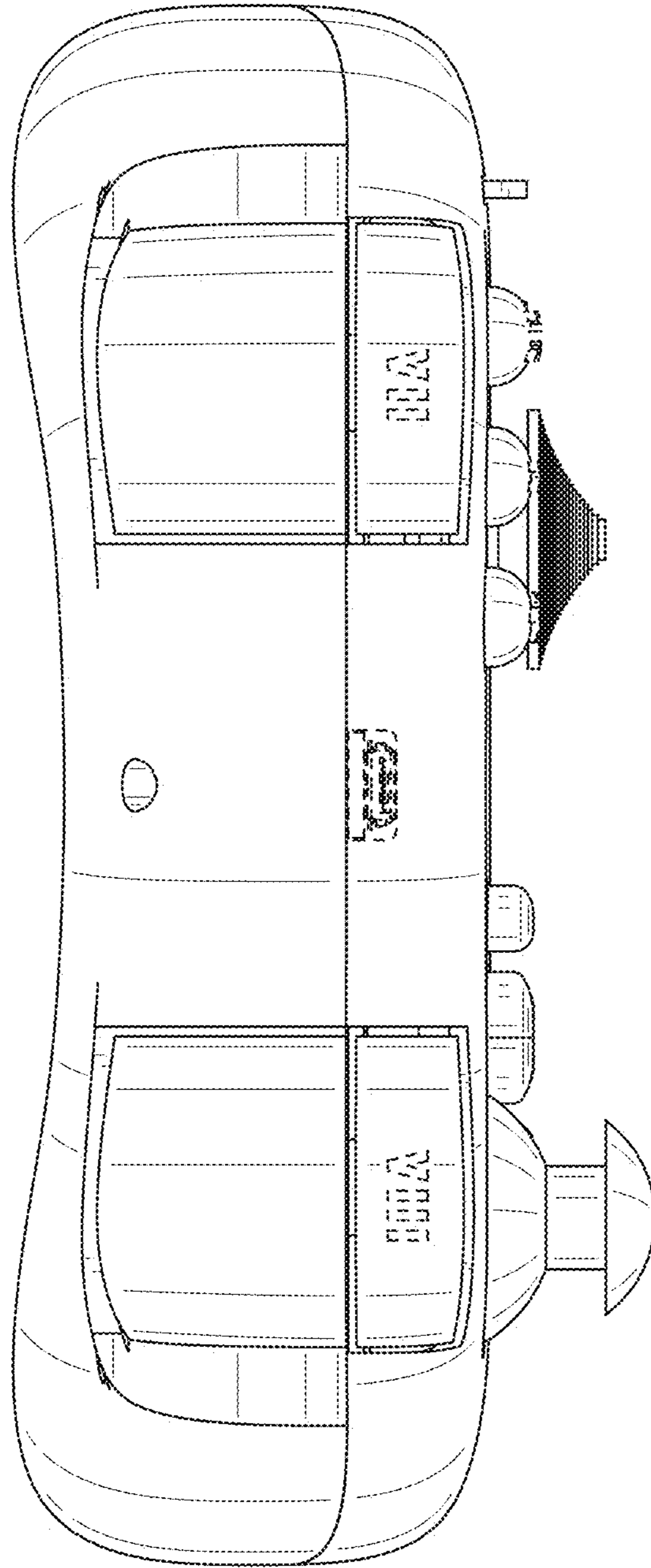


FIG. 7

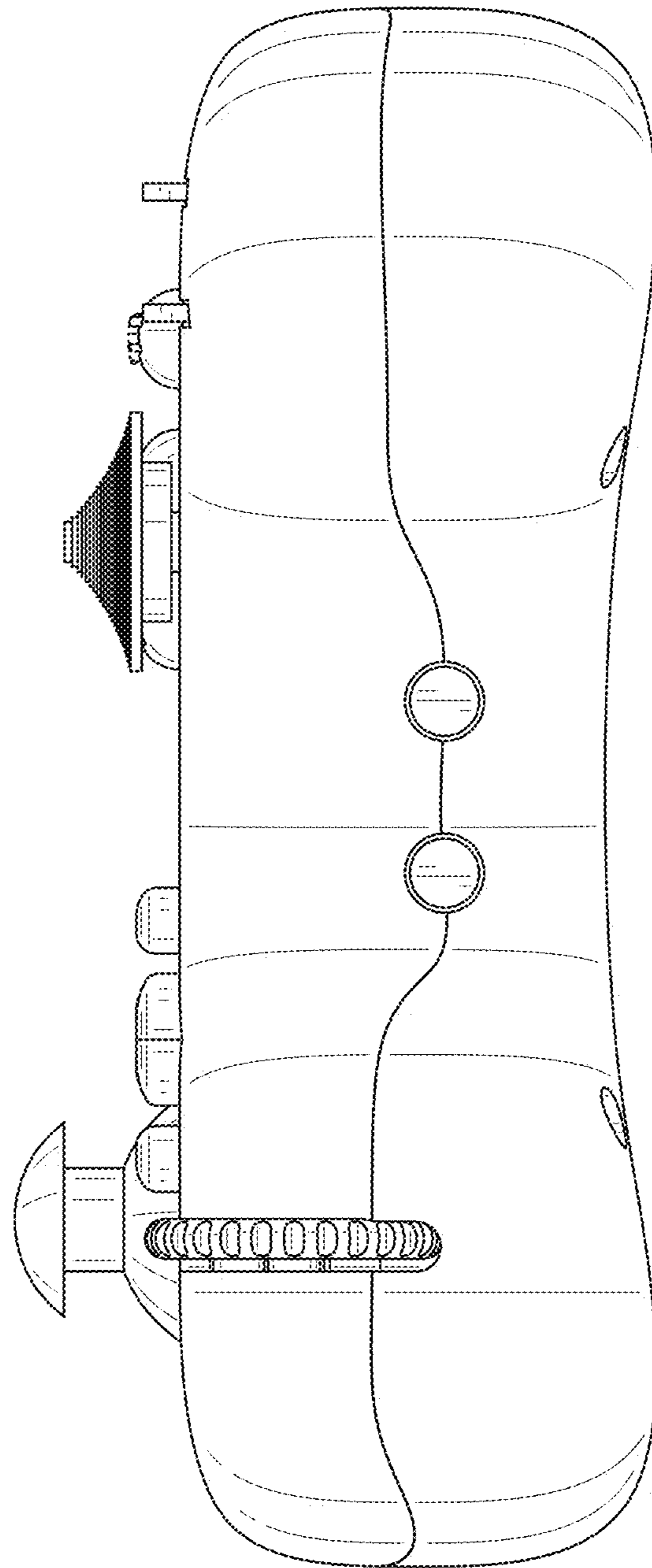


FIG. 8