



US00D992623S

(12) **United States Design Patent**  
**Brown**

(10) **Patent No.:** **US D992,623 S**

(45) **Date of Patent:** **\*\* Jul. 18, 2023**

(54) **CAMERA**

(71) Applicant: **David Arthur Brown**, Los Angeles, CA (US)

(72) Inventor: **David Arthur Brown**, Los Angeles, CA (US)

(\*\*) Term: **15 Years**

(21) Appl. No.: **29/827,816**

(22) Filed: **Feb. 22, 2022**

(51) **LOC (14) Cl.** ..... **16-01**

(52) **U.S. Cl.**  
USPC ..... **D16/202; D16/219**

(58) **Field of Classification Search**  
USPC ..... D16/200, 202-208, 218, 219  
CPC ..... G03B 15/03; G03B 17/02; G03B 17/04;  
G03B 17/56; G03B 19/04; H04N  
2101/00; H04N 23/50; H04N 23/51;  
H04N 23/54; H04N 23/55; H04N 23/63  
See application file for complete search history.

(56) **References Cited**

**U.S. PATENT DOCUMENTS**

D683,781 S \* 6/2013 Imai ..... D16/202  
D684,204 S \* 6/2013 Uemachi ..... D16/202  
D689,535 S \* 9/2013 Nojima ..... D16/202

D695,329 S \* 12/2013 Fujita ..... D16/202  
D702,748 S \* 4/2014 Muraki ..... D16/202  
D707,742 S \* 6/2014 Imamizu ..... D16/202  
D717,353 S \* 11/2014 Kobayashi ..... D16/202  
D772,966 S \* 11/2016 Song ..... D16/200  
D820,894 S \* 6/2018 Tang ..... D16/202  
D849,084 S \* 5/2019 Hu ..... D16/202  
D865,835 S \* 11/2019 Fidler ..... D16/202  
D905,781 S \* 12/2020 Liu ..... D16/218  
D923,076 S \* 6/2021 Grant ..... D16/208

\* cited by examiner

*Primary Examiner* — Ramzi Almatrahi

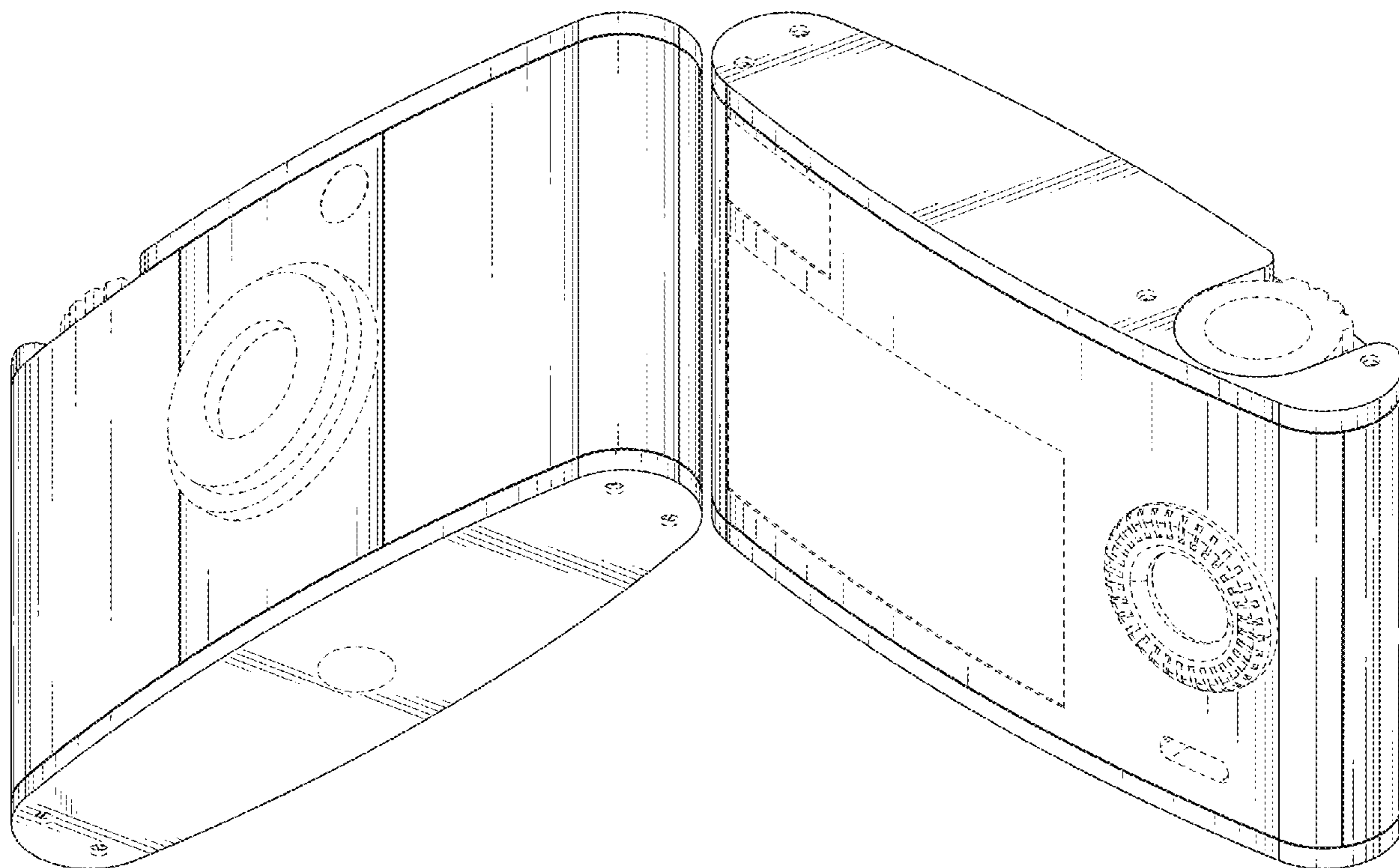
(57) **CLAIM**

The ornamental design for a camera, as shown and described.

**DESCRIPTION**

FIG. 1 is a top, front and right perspective view of a camera showing my new design;  
FIG. 2 is a bottom, front and right perspective view thereof;  
FIG. 3 is a top, rear and left perspective view thereof;  
FIG. 4 is a front elevational view thereof;  
FIG. 5 is a rear elevational view thereof;  
FIG. 6 is a left elevational view thereof;  
FIG. 7 is a right elevational view thereof;  
FIG. 8 is a top plan view thereof; and,  
FIG. 9 is a bottom plan view thereof.  
The broken lines in the drawings illustrate portions of the camera which form no part of the claimed design.

**1 Claim, 9 Drawing Sheets**



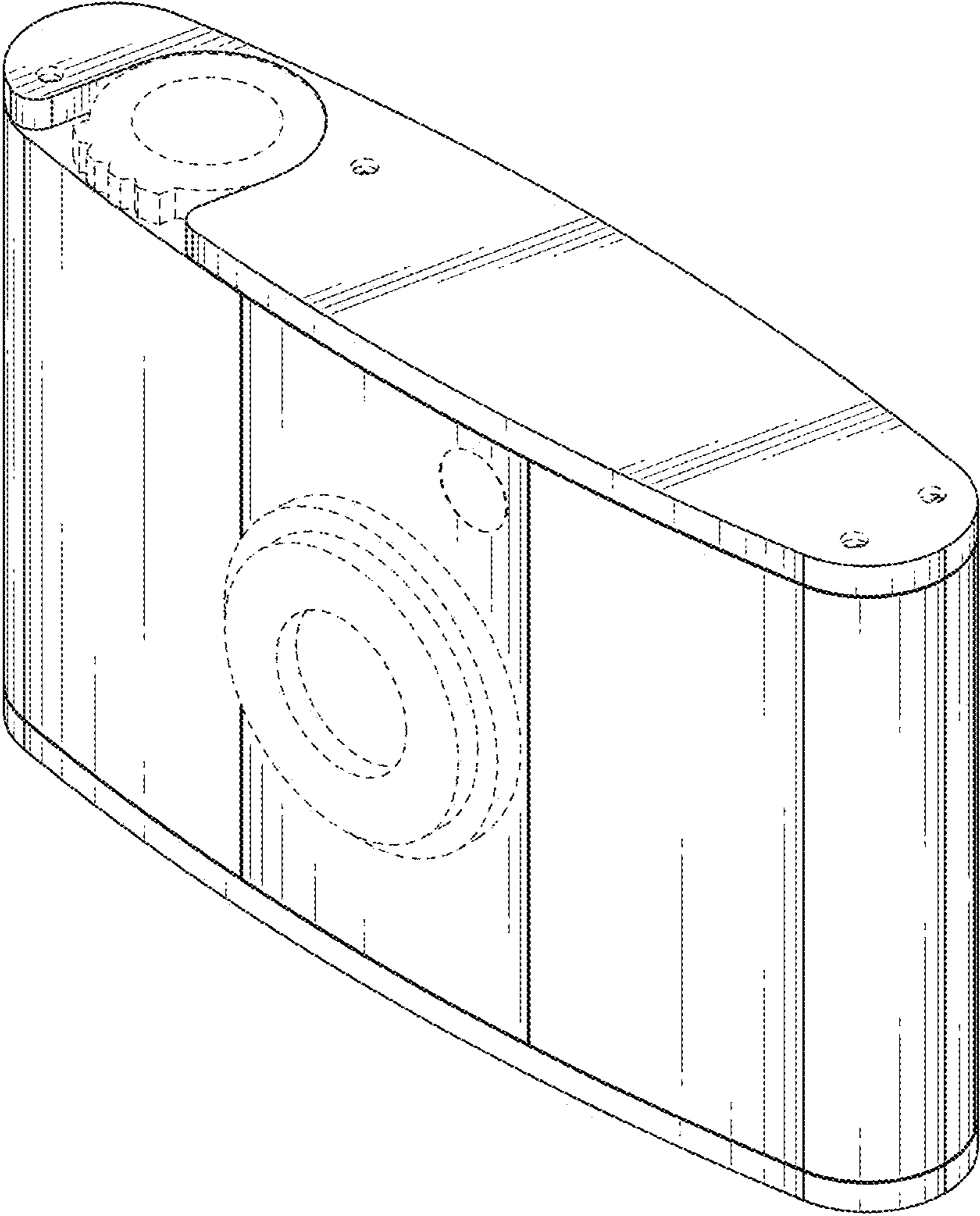


FIG. 1

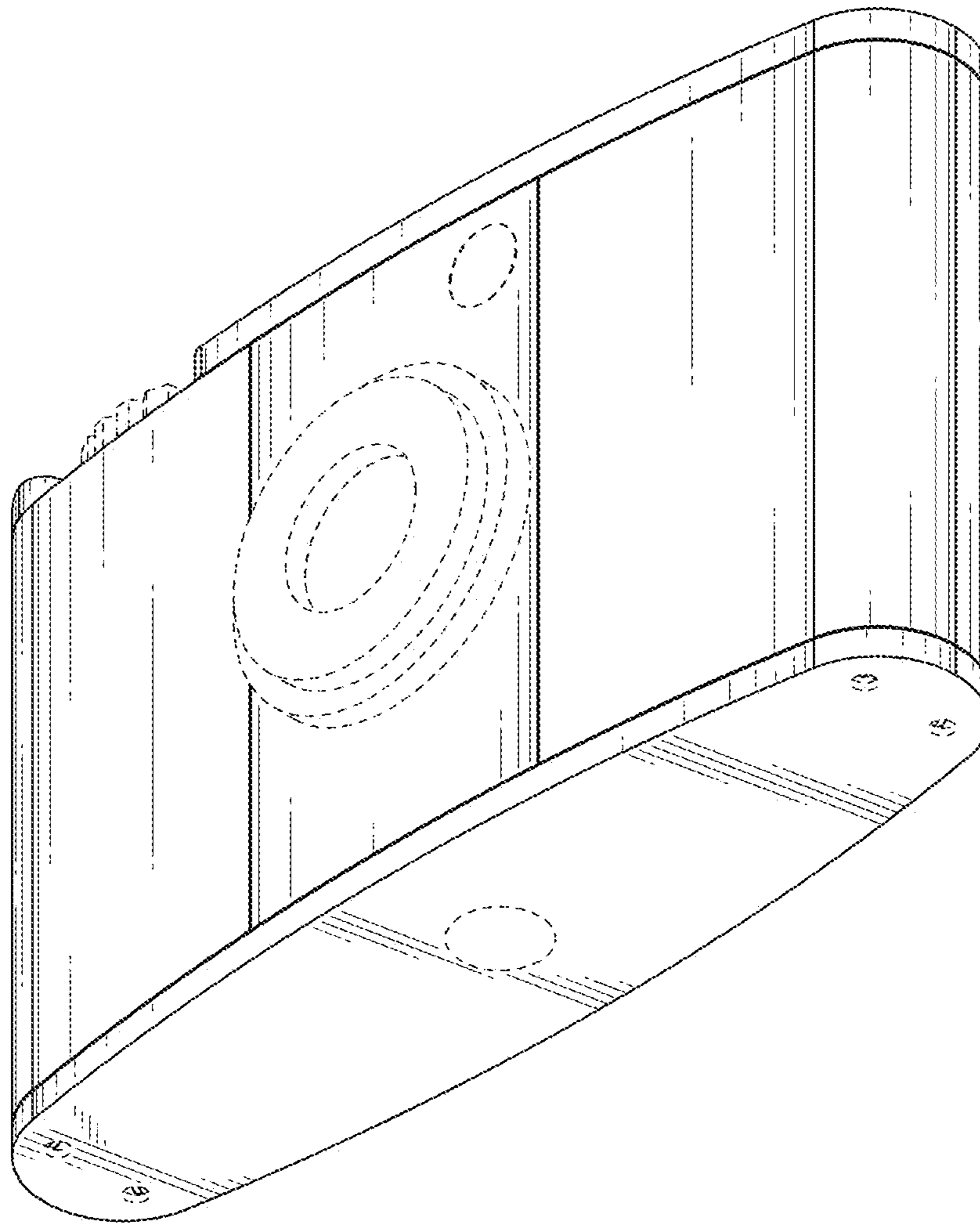


FIG. 2

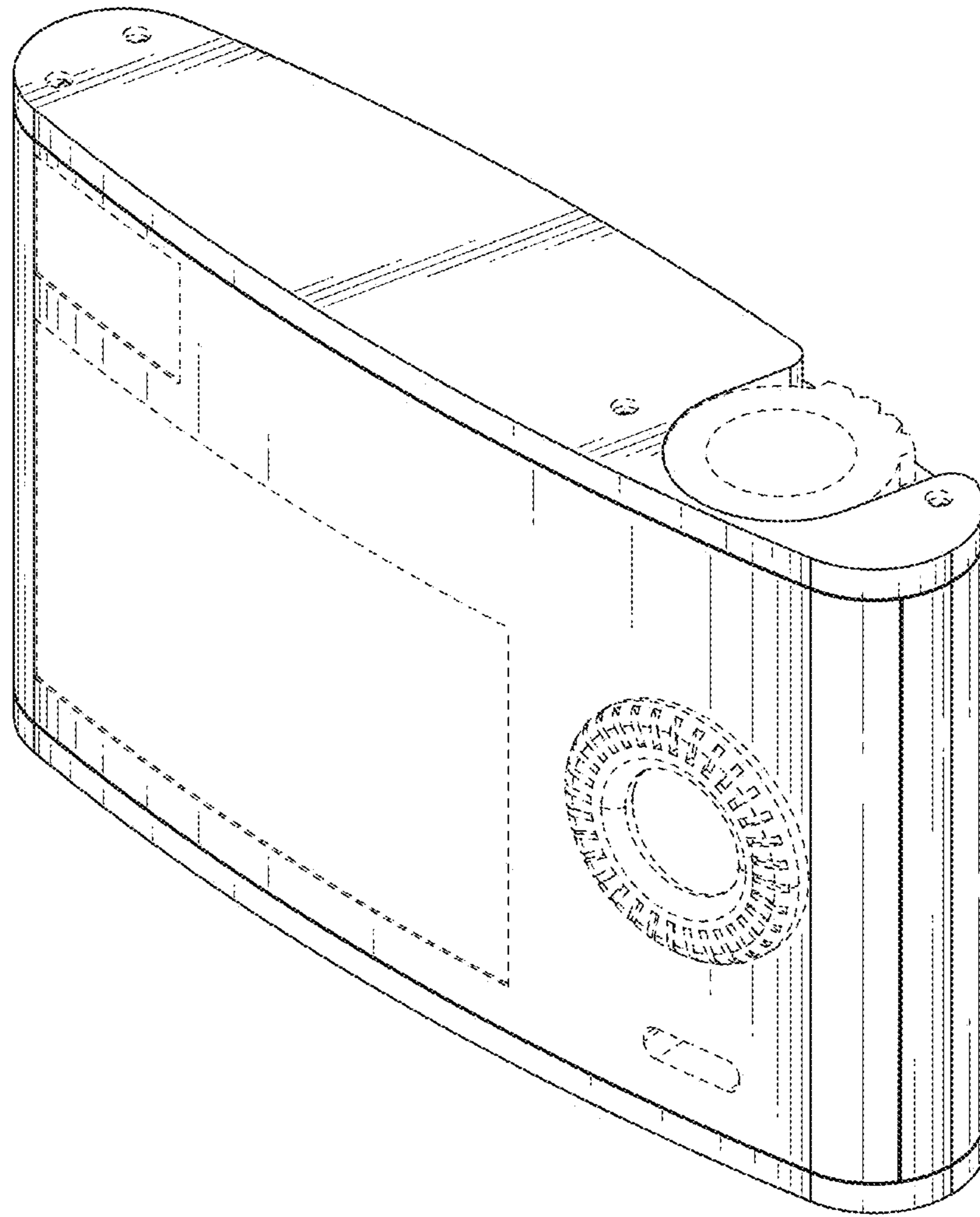


FIG. 3



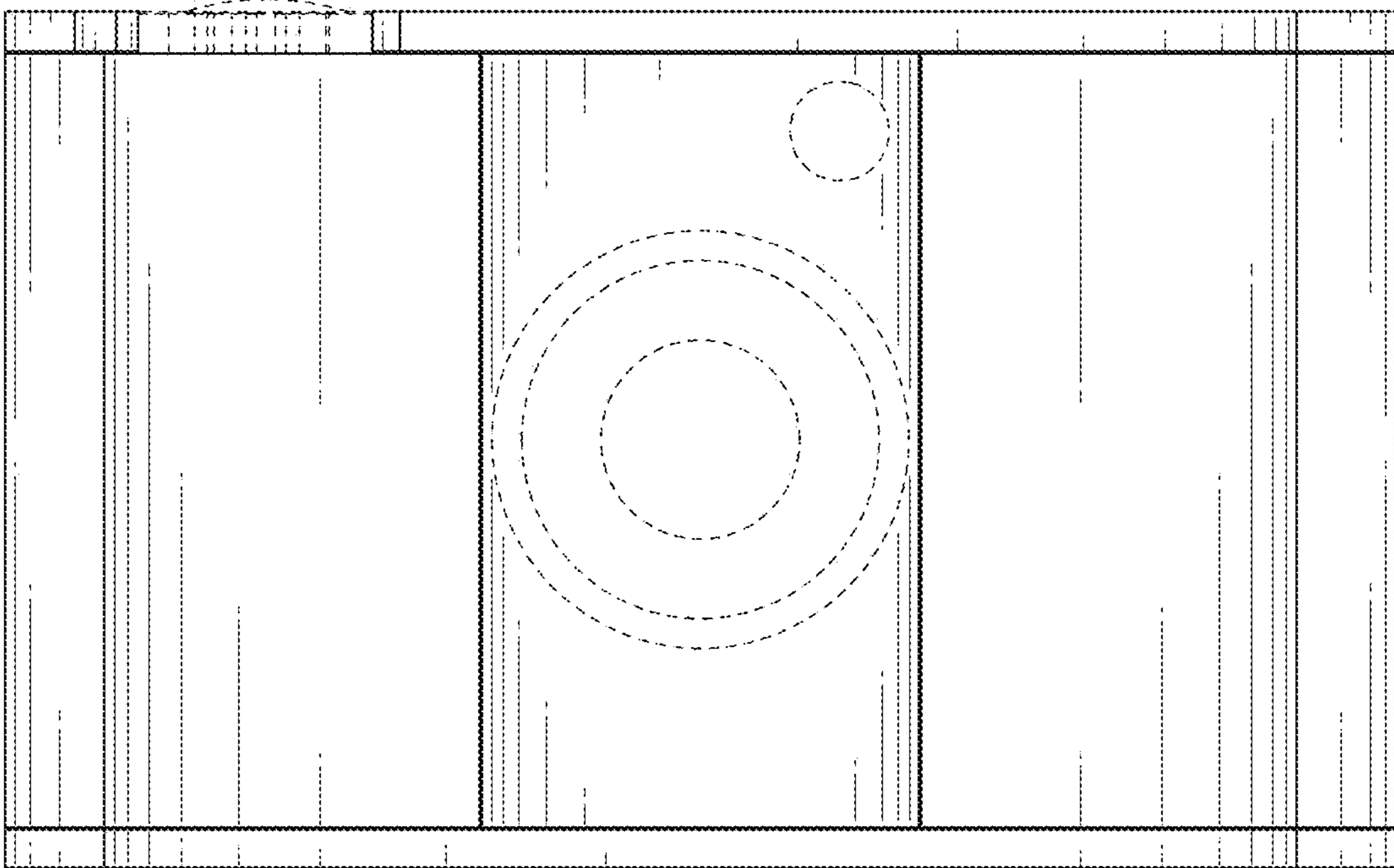


FIG. 4

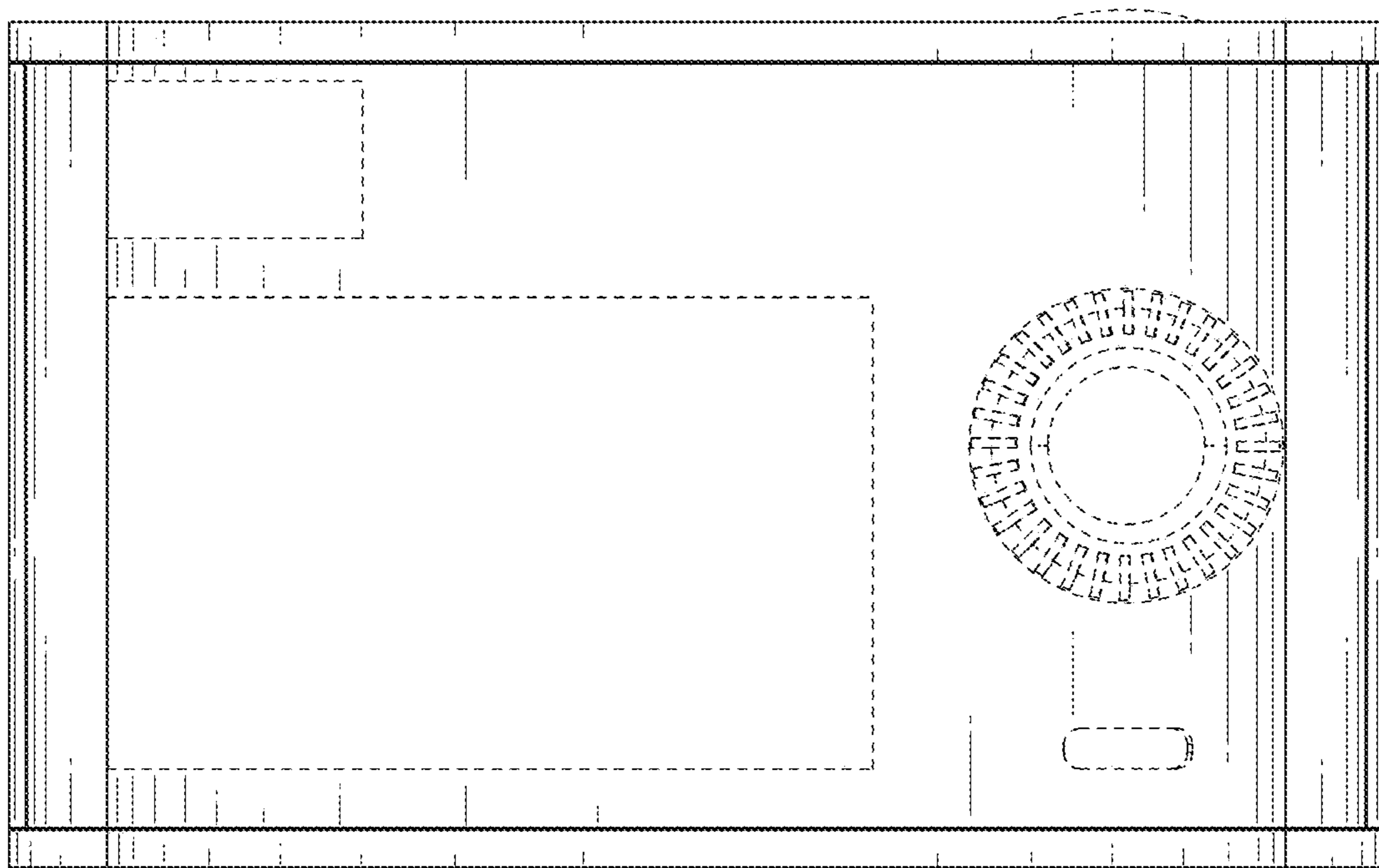


FIG. 5

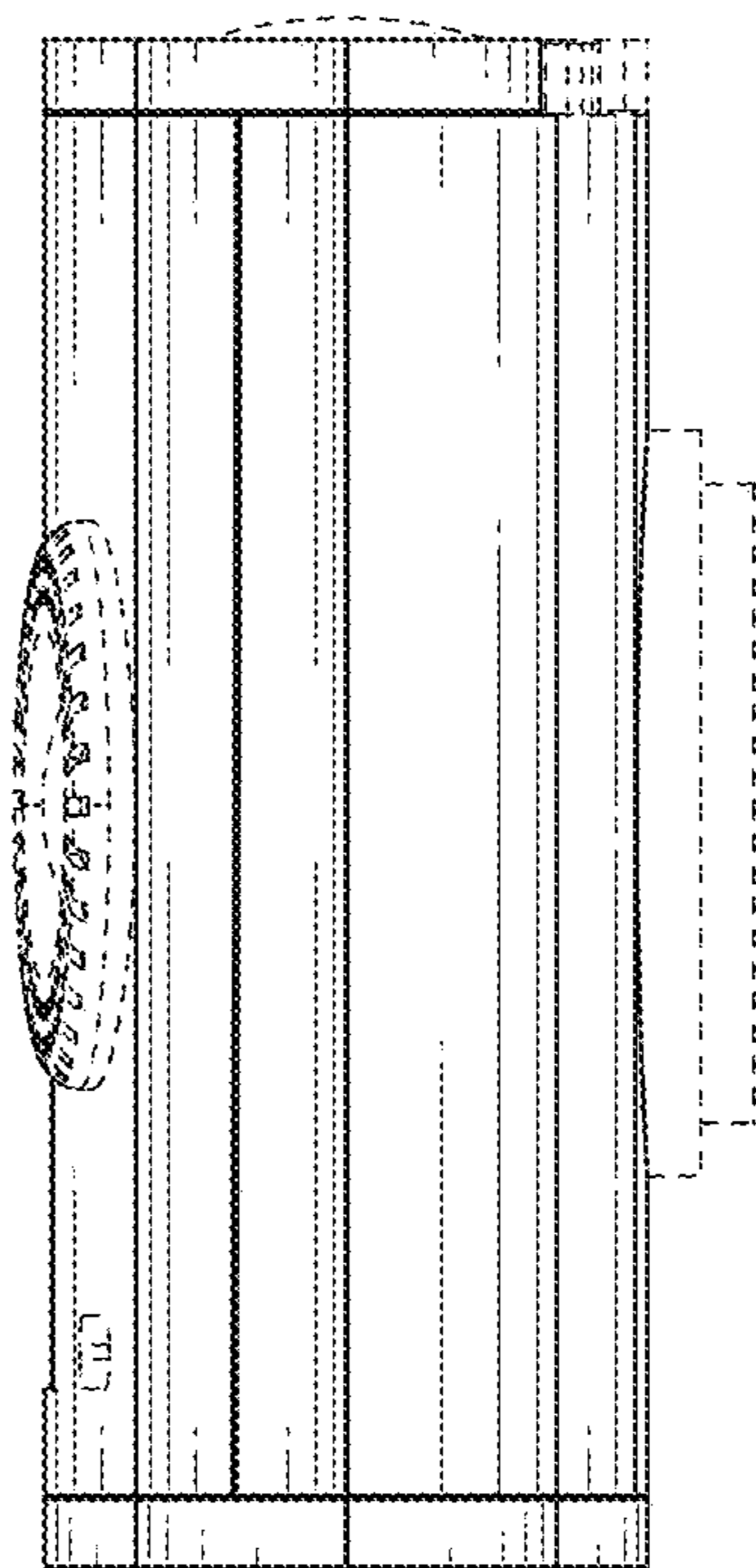


FIG. 6

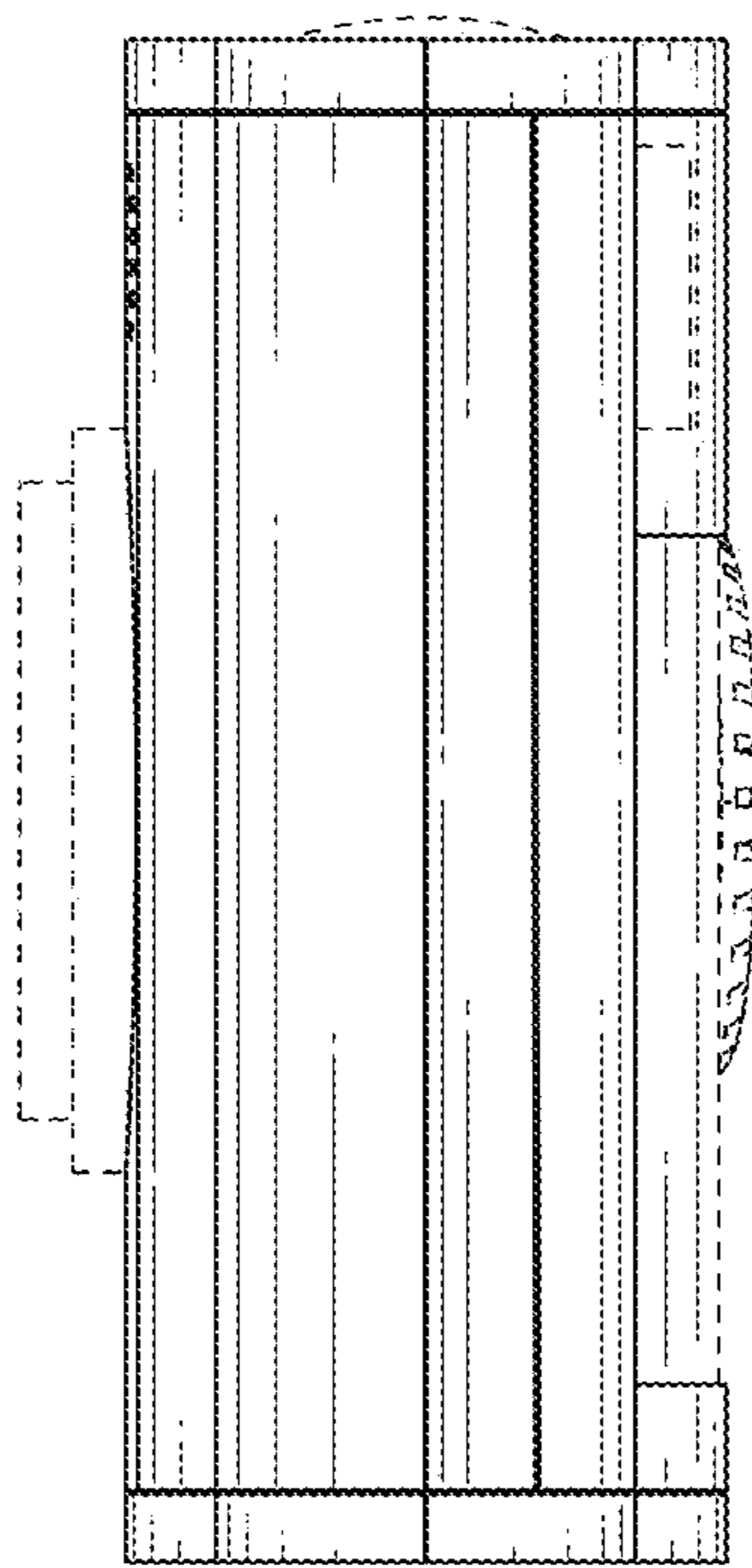


FIG. 7



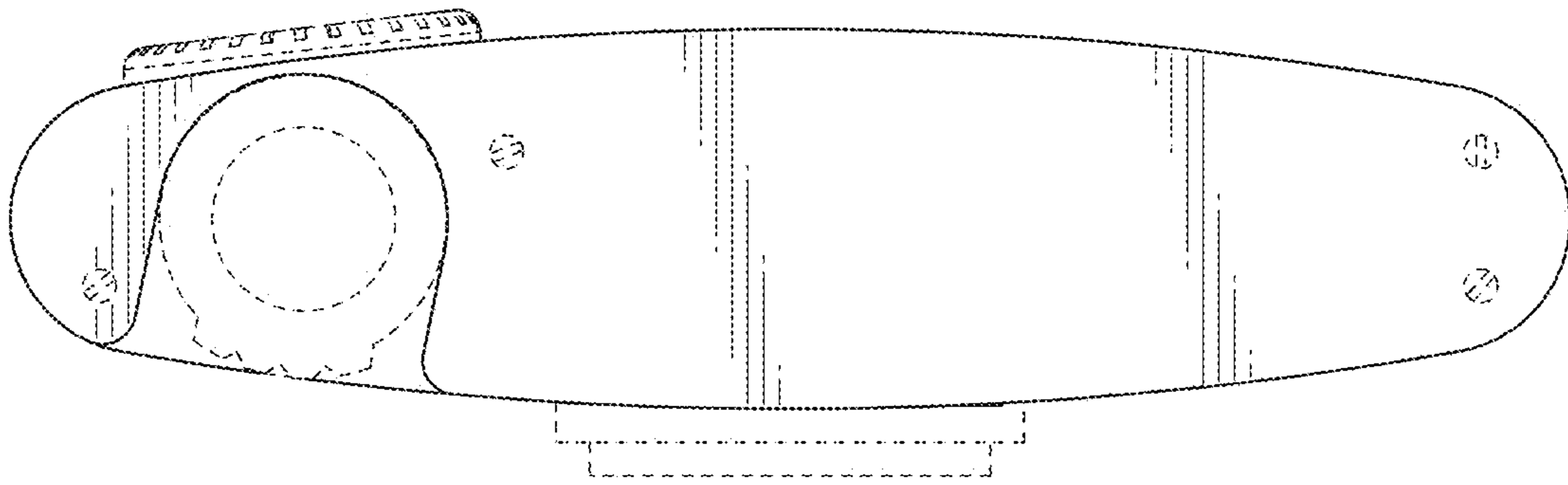


FIG. 8

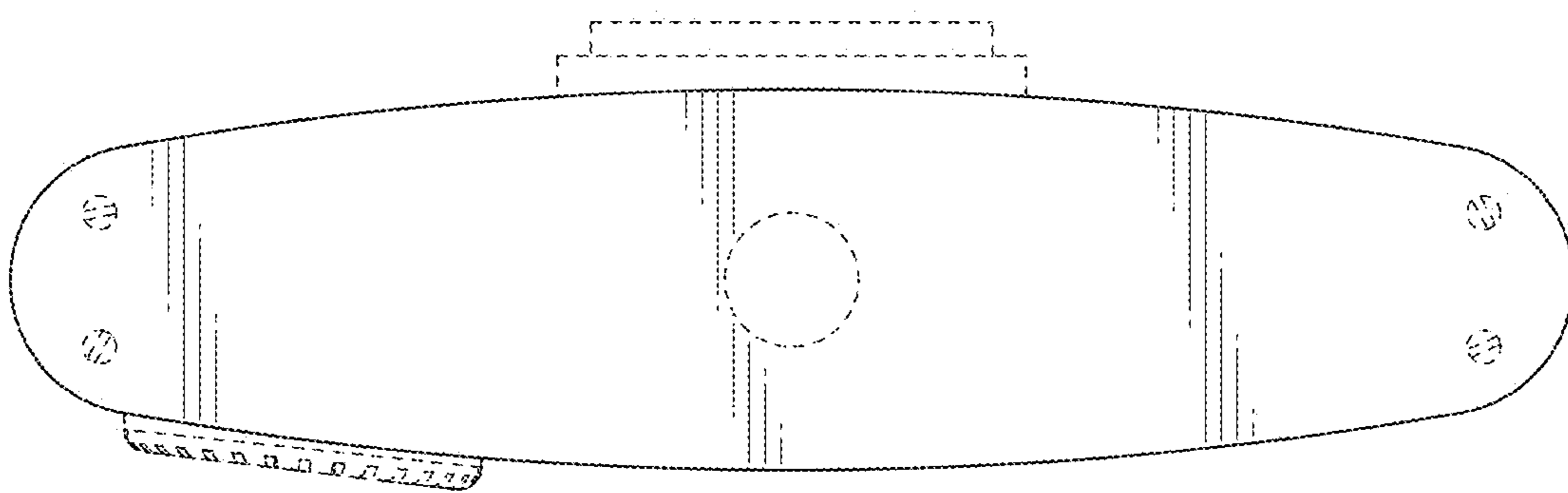


FIG. 9