



US00D992601S

(12) **United States Design Patent**
Becker

(10) **Patent No.:** **US D992,601 S**
(45) **Date of Patent:** **** Jul. 18, 2023**

(54) **RAM-AIR INTAKE**
(71) Applicant: **Velossa Tech Engineering Inc.**, Davie, FL (US)
(72) Inventor: **Dan Joseph Becker**, Davie, FL (US)
(73) Assignee: **Velossa Tech Engineering Inc.**, Davie, FL (US)
(**) Term: **15 Years**
(21) Appl. No.: **29/794,447**

(22) Filed: **Jun. 11, 2021**
(51) **LOC (14) Cl.** **15-01**
(52) **U.S. Cl.**
USPC **D15/5**
(58) **Field of Classification Search**
USPC D15/1-5; D23/384, 386, 387, 393, 394,
D23/266, 263, 262, 260, 264
CPC B60K 13/02; F02M 35/10013; F02M
35/10262; F02M 35/104; F02M
35/10026; F02M 35/10078; F02M
35/10091
See application file for complete search history.

(56) **References Cited**

U.S. PATENT DOCUMENTS

9,909,542 B2* 3/2018 Rother F02M 35/10144
2005/0215191 A1* 9/2005 Kino B60K 13/02
454/143
2006/0006011 A1* 1/2006 Khouw B60K 13/02
180/68.3
2006/0006012 A1* 1/2006 Khouw F02M 35/04
180/68.3
2009/0255501 A1* 10/2009 Honzawa F02M 35/10013
123/184.53
2010/0229817 A1* 9/2010 Hirai F02M 35/10131
123/184.21
2012/0145272 A1* 6/2012 Chu F02M 35/10268
138/111

2012/0152632 A1* 6/2012 Azuma F02M 35/048
180/68.3
2015/0233329 A1* 8/2015 Morey F01P 1/06
123/184.53
2017/0114704 A1* 4/2017 Morey F28D 15/00
2017/0260939 A1* 9/2017 Williams G11C 8/06
2018/0100473 A1* 4/2018 Kimura F02M 35/10013
2018/0112635 A1* 4/2018 Cho F02M 35/1211
2020/0032747 A1* 1/2020 Gobbato F02M 35/161
2020/0079258 A1* 3/2020 Kikuchi B60N 2/5642
2020/0132025 A1* 4/2020 Williams F02M 35/10091
2021/0246855 A1* 8/2021 Becker F02M 35/10347
2021/0381476 A1* 12/2021 Karlsson B01D 45/02
2022/0145835 A1* 5/2022 Maeda F02M 35/10124

* cited by examiner

Primary Examiner — Ania Aman

(74) *Attorney, Agent, or Firm* — Bekiares Eliezer LLP

(57) **CLAIM**

The ornamental design for a ram-air intake, as shown and described.

DESCRIPTION

This application is related to U.S. Design application Ser. No. 29/794,450 filed on Jun. 11, 2021 entitled “Ram-Air Intake” and U.S. Design application Ser. No. 29/794,452 filed on Jun. 11, 2021 entitled “Ram-Air Intake”, which are assigned to the same Assignee as this application.

FIG. 1 is a perspective view of a ram-air intake showing my new design;

FIG. 2 is a first side view thereof;

FIG. 3 is a second side view thereof;

FIG. 4 is a top view thereof;

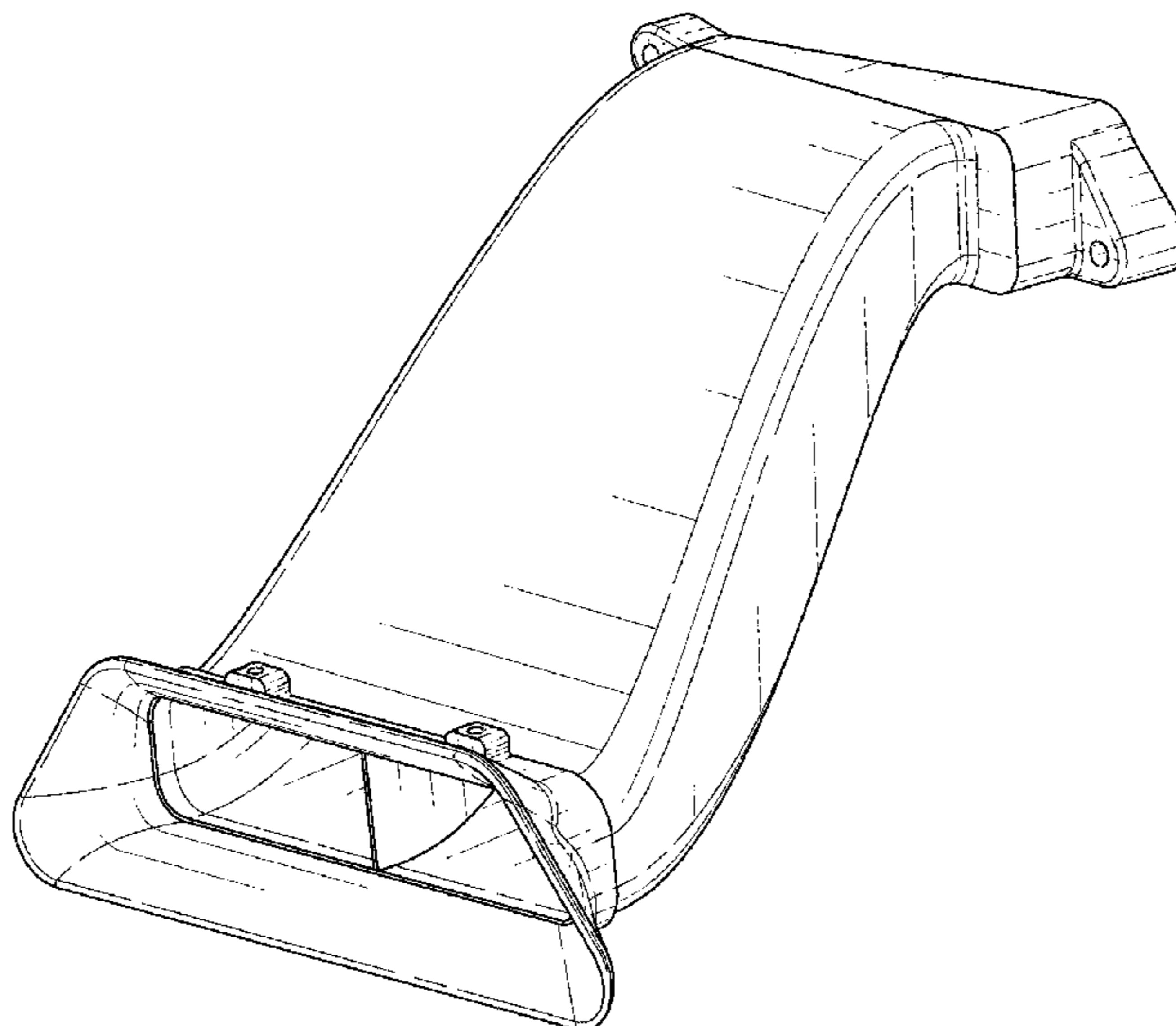
FIG. 5 is a bottom view thereof;

FIG. 6 is a back view thereof; and,

FIG. 7 is a front view thereof.

The broken lines illustrate portions of the ram-air intake that do not form a part of the claimed design.

1 Claim, 7 Drawing Sheets



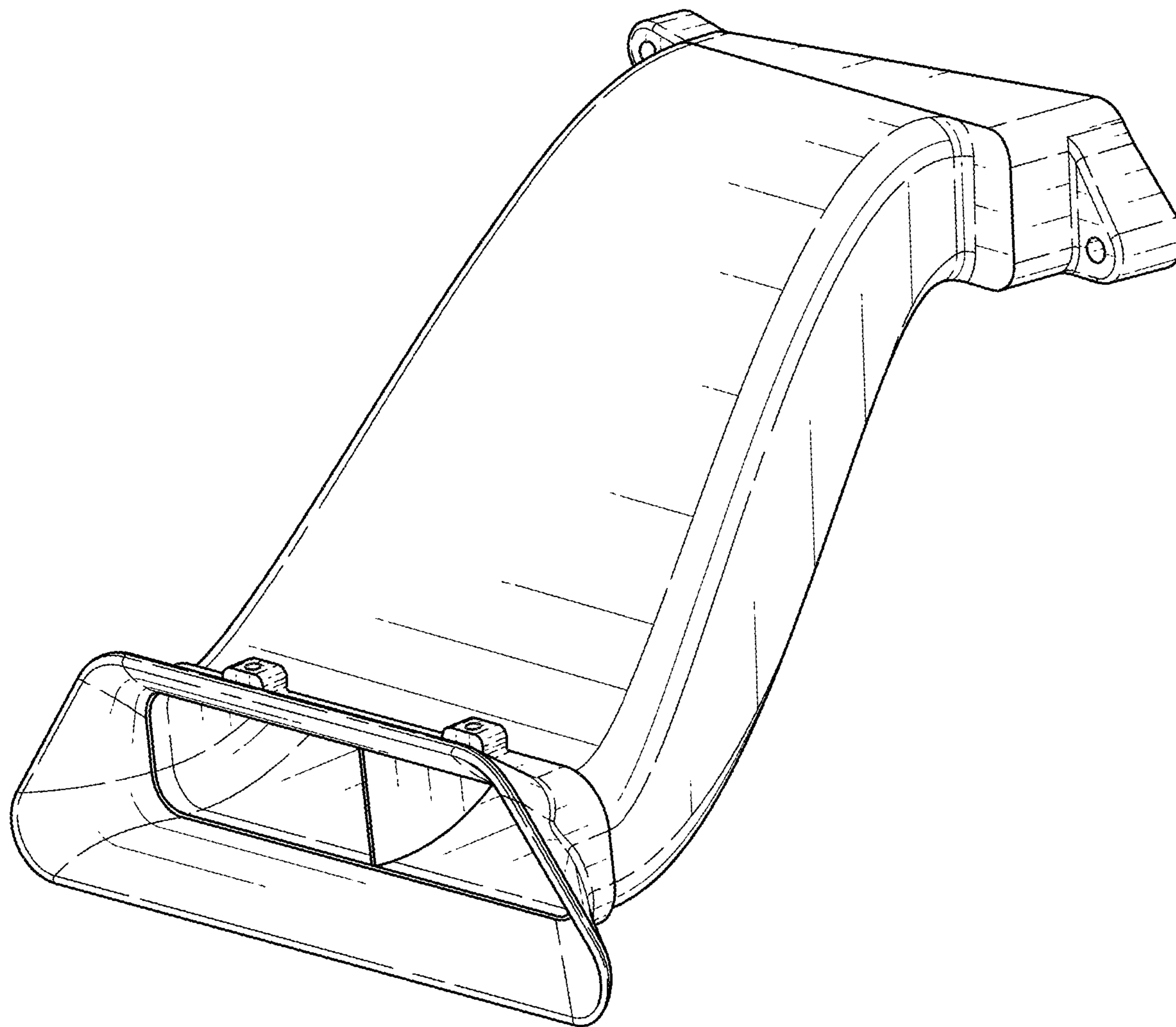


FIG. 1

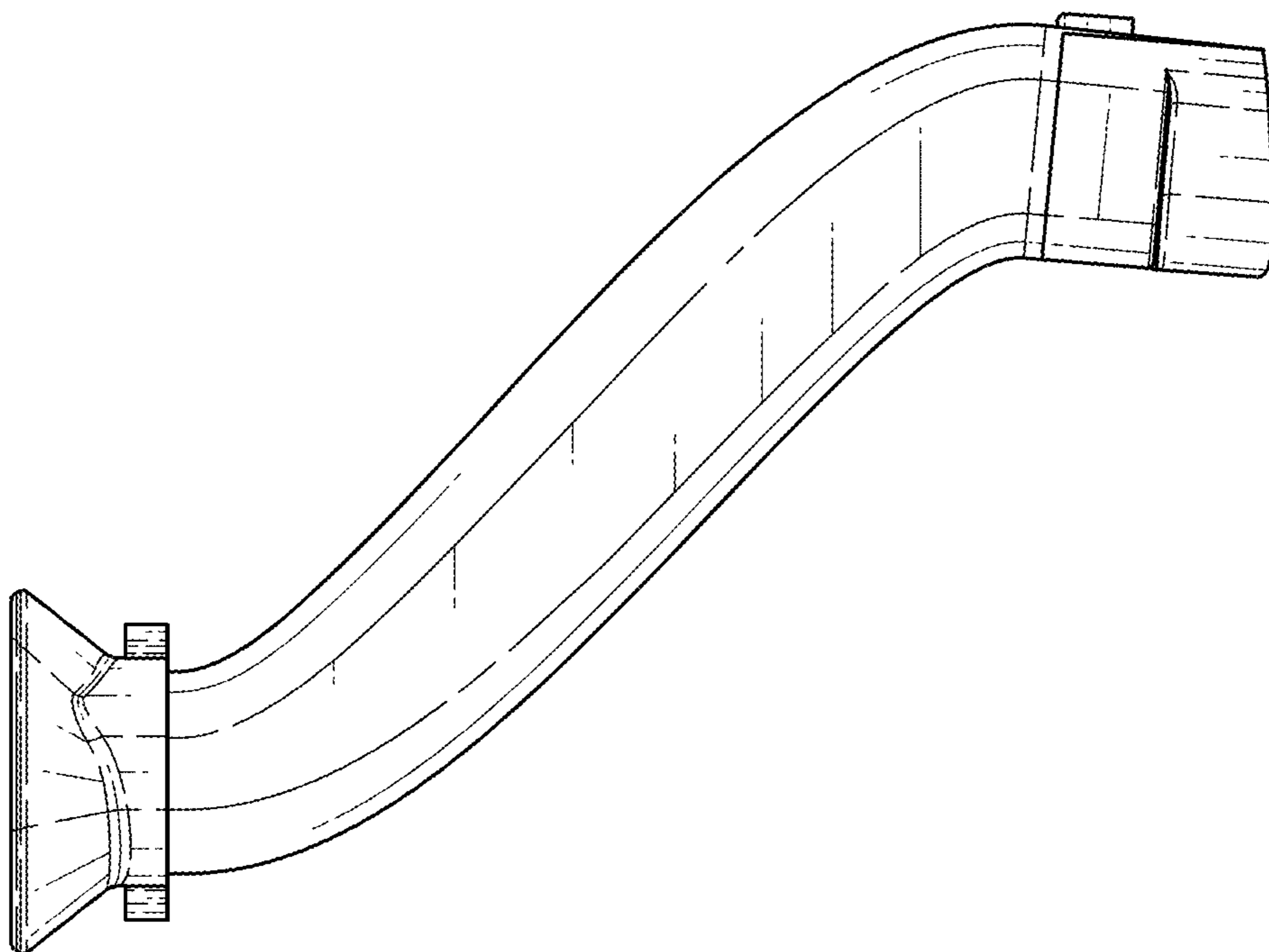


FIG. 2

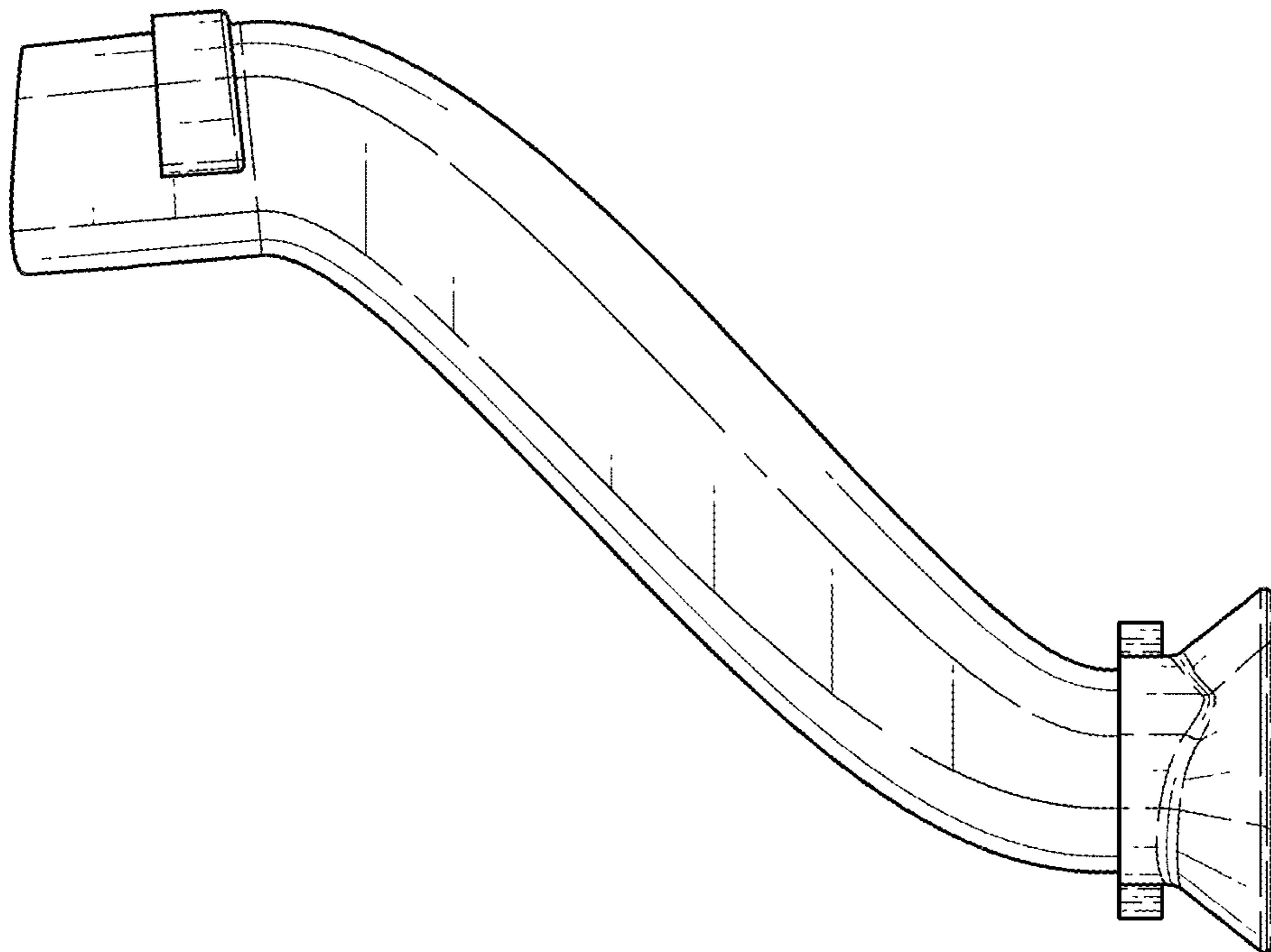


FIG. 3

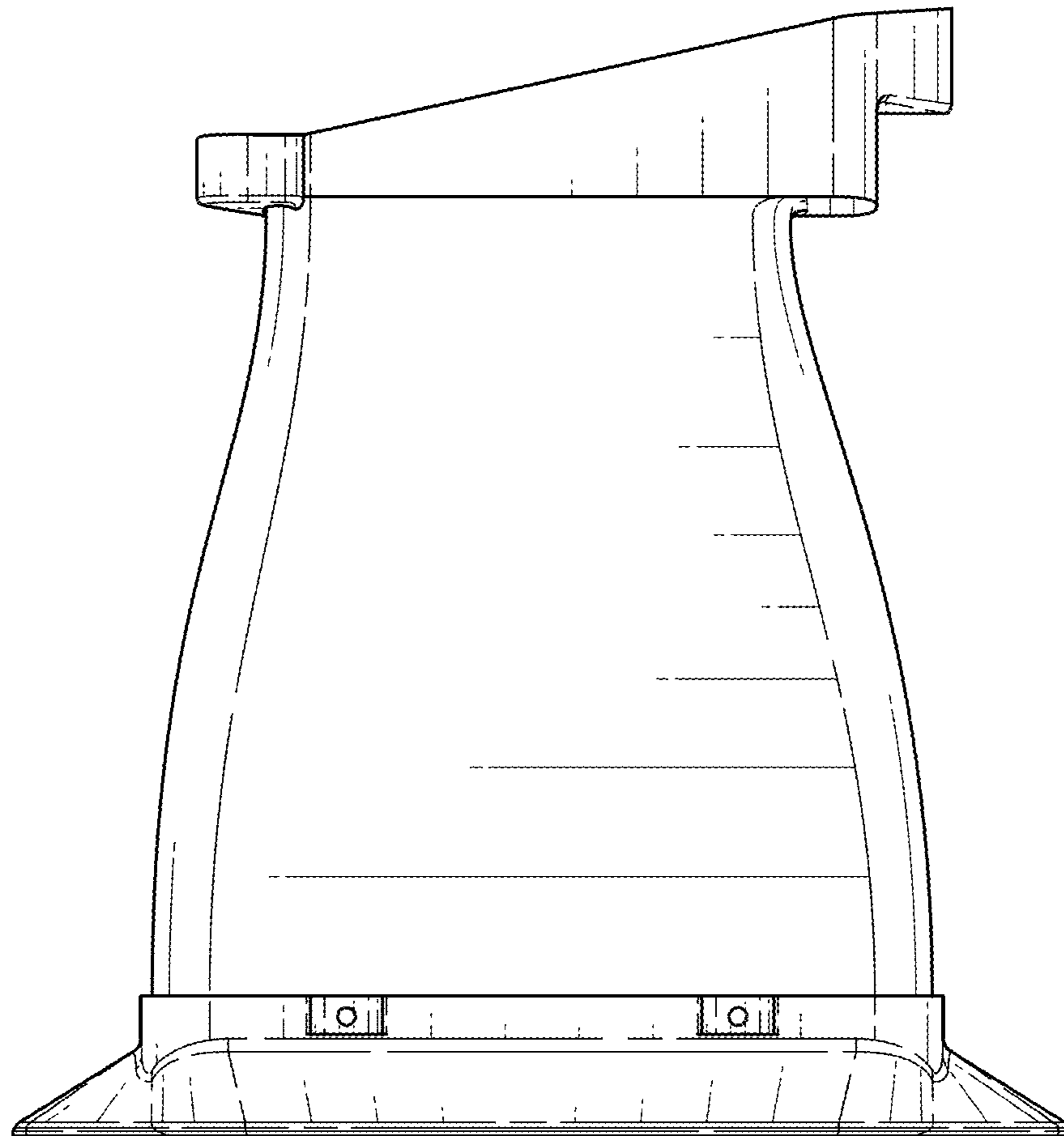


FIG. 4

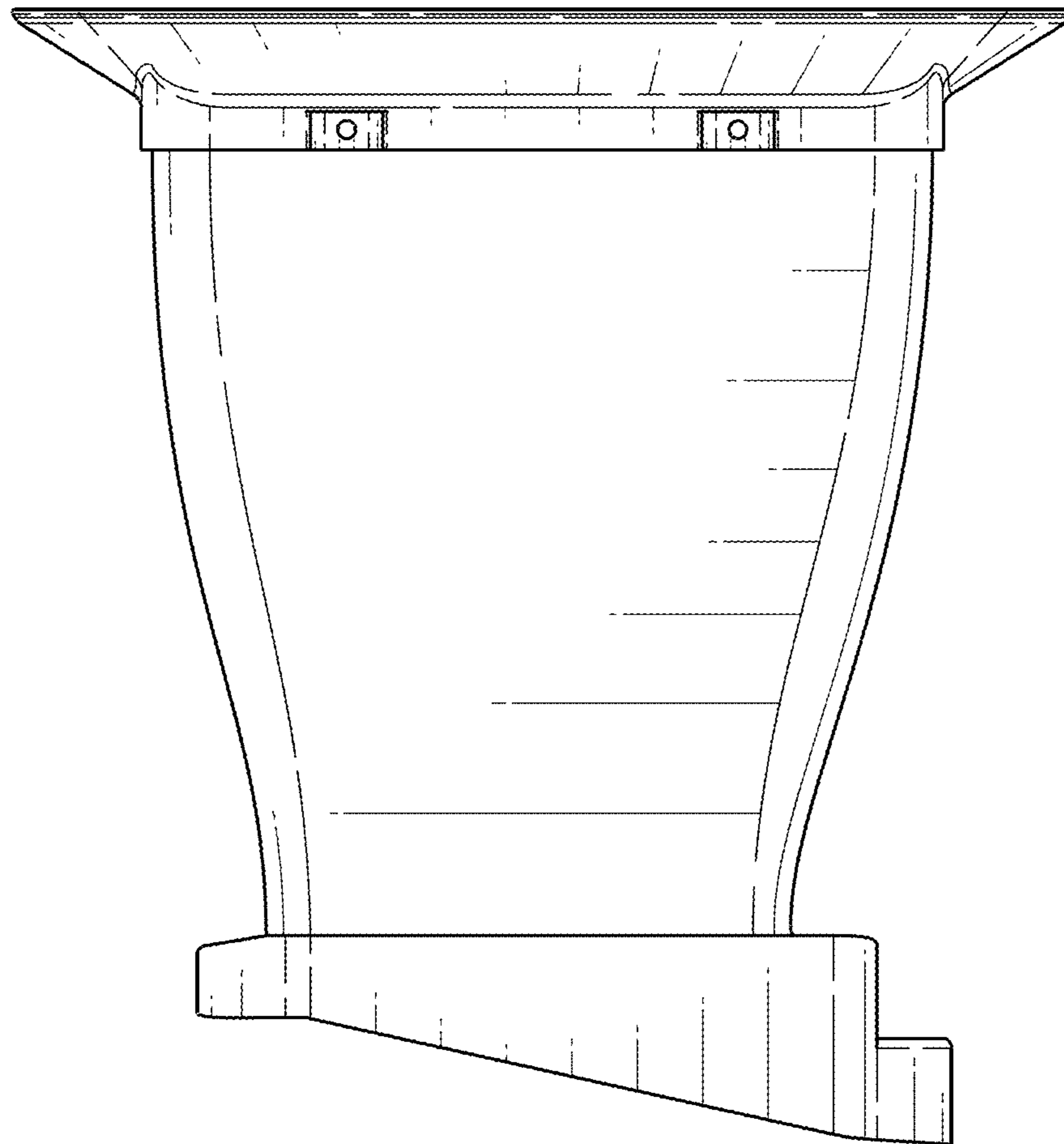


FIG. 5

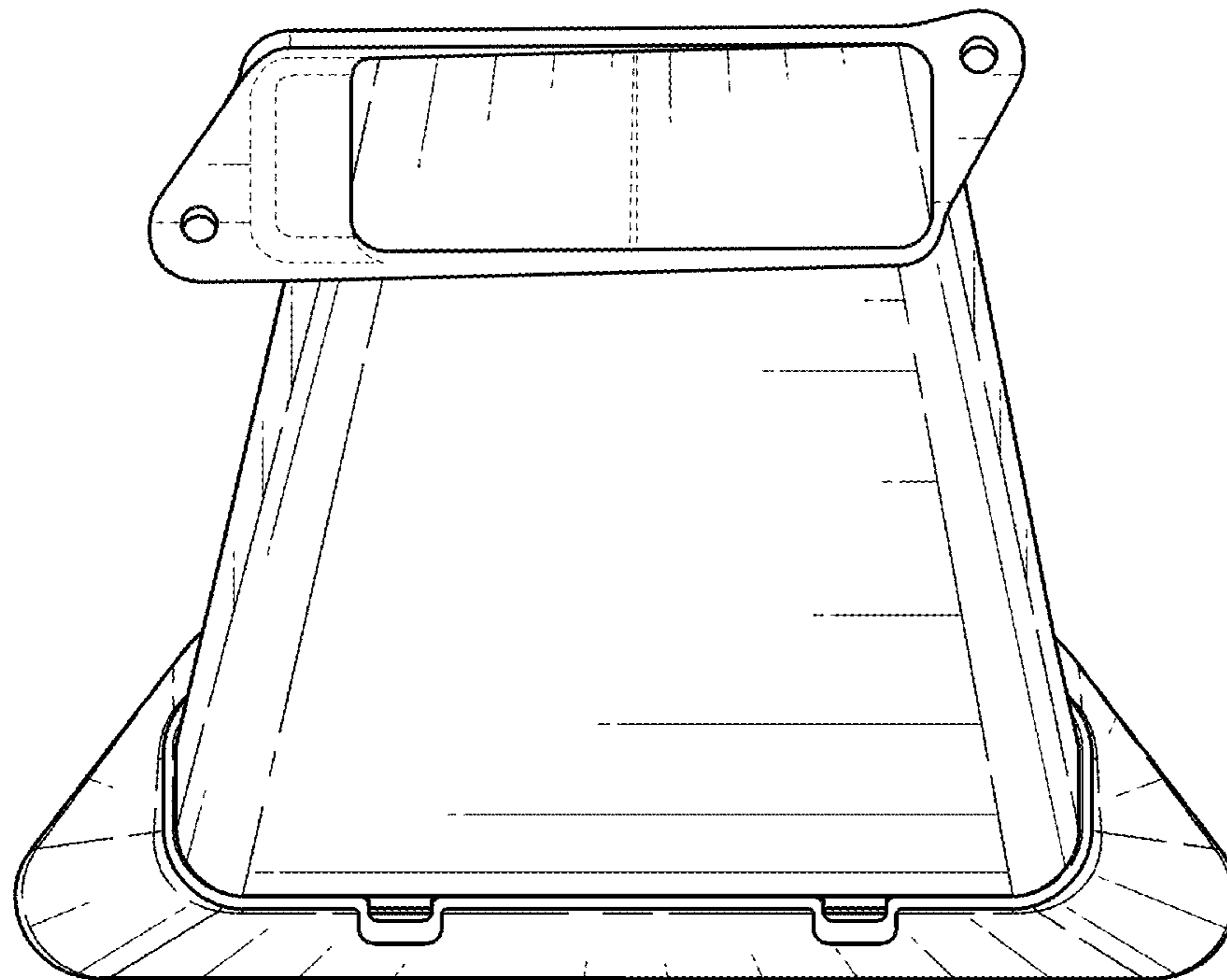


FIG. 6

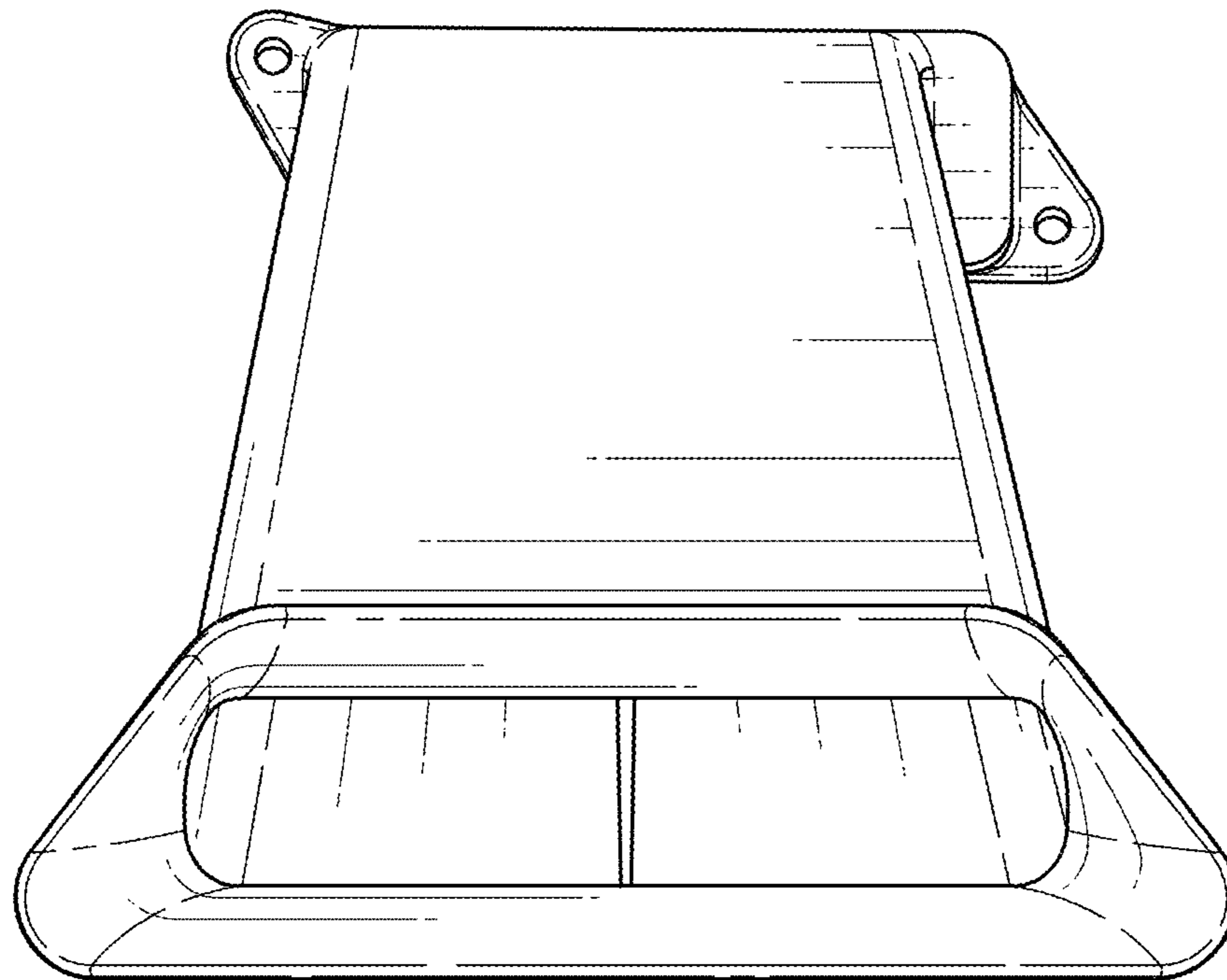


FIG. 7