



US00D992552S

(12) **United States Design Patent**
Hoppe et al.

(10) **Patent No.:** **US D992,552 S**
(45) **Date of Patent:** **** Jul. 18, 2023**

(54) **HEAD MOUNTED DISPLAY**
(71) Applicant: **Kopin Corporation**, Westborough, MA (US)
(72) Inventors: **Michael James Hoppe**, Vista, CA (US); **Timothy Brandon Hogan**, Allen, TX (US)
(73) Assignee: **KOPIN CORPORATION**, Westborough, MA (US)

8,643,568 B2 2/2014 West et al.
D730,352 S 5/2015 Chow et al.
D836,629 S 12/2018 Maffucci et al.
D904,402 S * 12/2020 Marquis D14/372
D918,904 S * 5/2021 Jackson D14/372
D924,234 S * 7/2021 Meng D14/372
D925,530 S * 7/2021 Morris D14/372
D932,488 S * 10/2021 Huang D14/372
D963,642 S * 9/2022 Zhu D14/372
2012/0068914 A1 * 3/2012 Jacobsen G06F 1/163 345/8

(**) Term: **15 Years**

* cited by examiner

(21) Appl. No.: **29/816,605**

Primary Examiner — Austin Murphy

(22) Filed: **Nov. 23, 2021**

(74) *Attorney, Agent, or Firm* — Hamilton, Brook, Smith & Reynolds, P.C.

(51) **LOC (14) Cl.** **14-02**

(57) **CLAIM**

(52) **U.S. Cl.**
USPC **D14/372**

The ornamental design for a head mounted display, as shown and described.

(58) **Field of Classification Search**
USPC D14/372, 496, 432, 371, 125, 126, 129, D14/299; D16/300–342; 351/158, 153, 351/144; 345/7–9, 905; 455/344; 348/115, 53, 121, 739
CPC G02B 27/017; G02B 27/0158; G02B 27/0161; G02B 27/0181; G02B 27/0185; G02B 27/0189

DESCRIPTION

See application file for complete search history.

FIG. 1 is a front perspective view of a head mounted display in the present invention.
FIG. 2 is a rear perspective view thereof.
FIG. 3 is a front view thereof.
FIG. 4 is a rear view thereof.
FIG. 5 is a top view thereof.
FIG. 6 is a bottom view thereof.
FIG. 7 is a right side view thereof; and,
FIG. 8 is a left side view thereof.

(56) **References Cited**

U.S. PATENT DOCUMENTS

D371,549 S * 7/1996 Ronzani D14/372
D394,649 S * 5/1998 Pombo D14/372

1 Claim, 7 Drawing Sheets

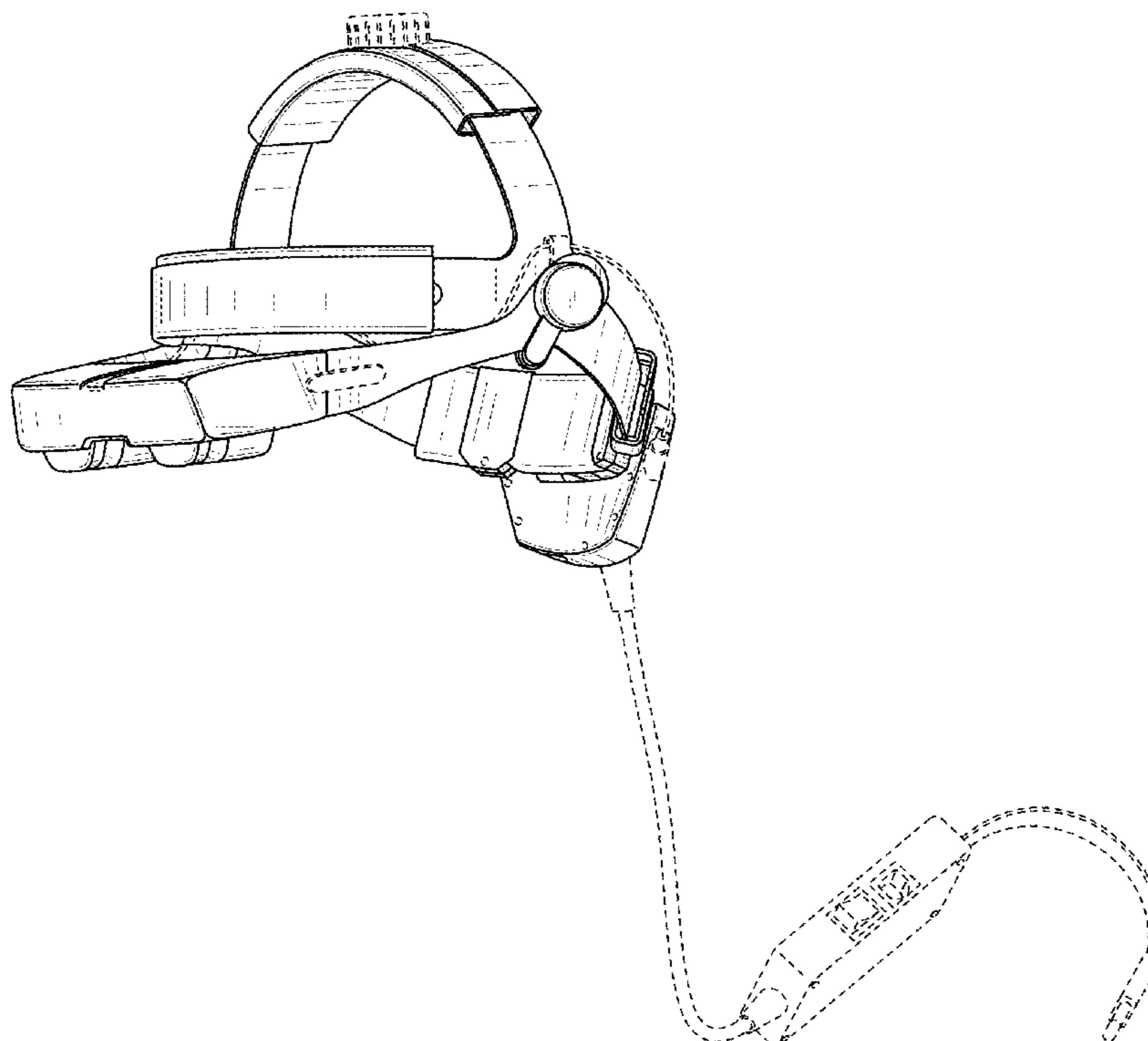


FIG. 1

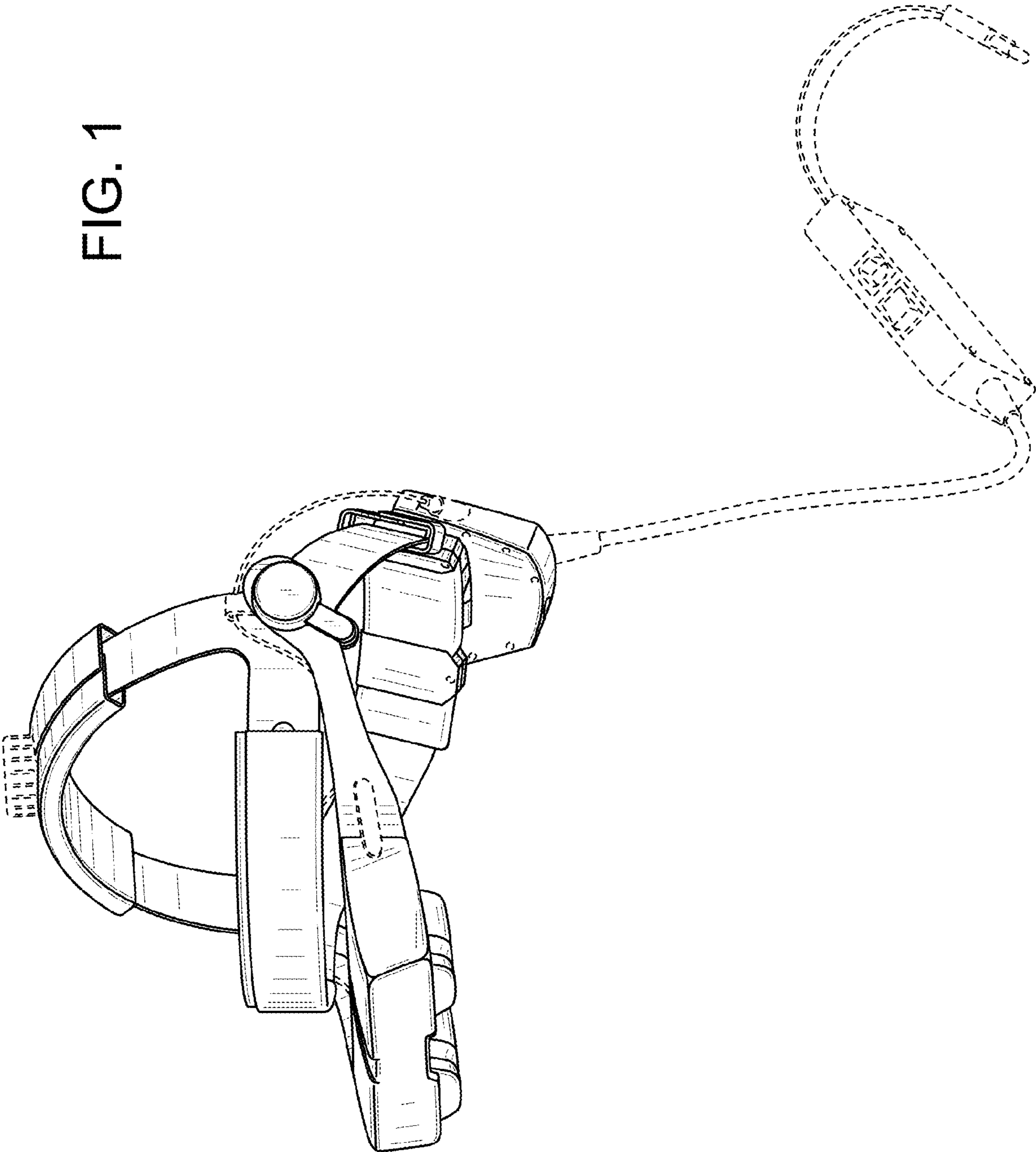
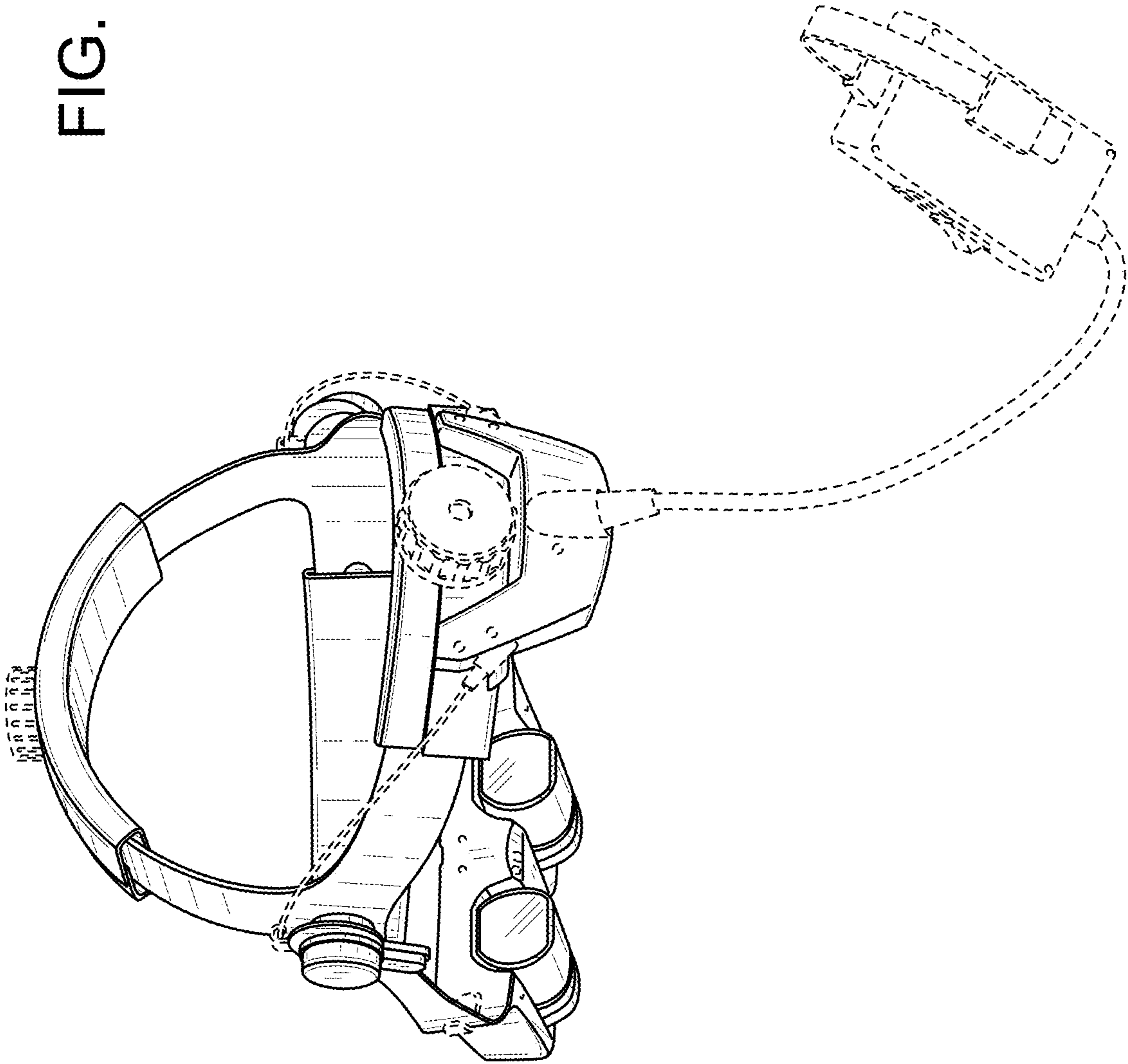


FIG. 2



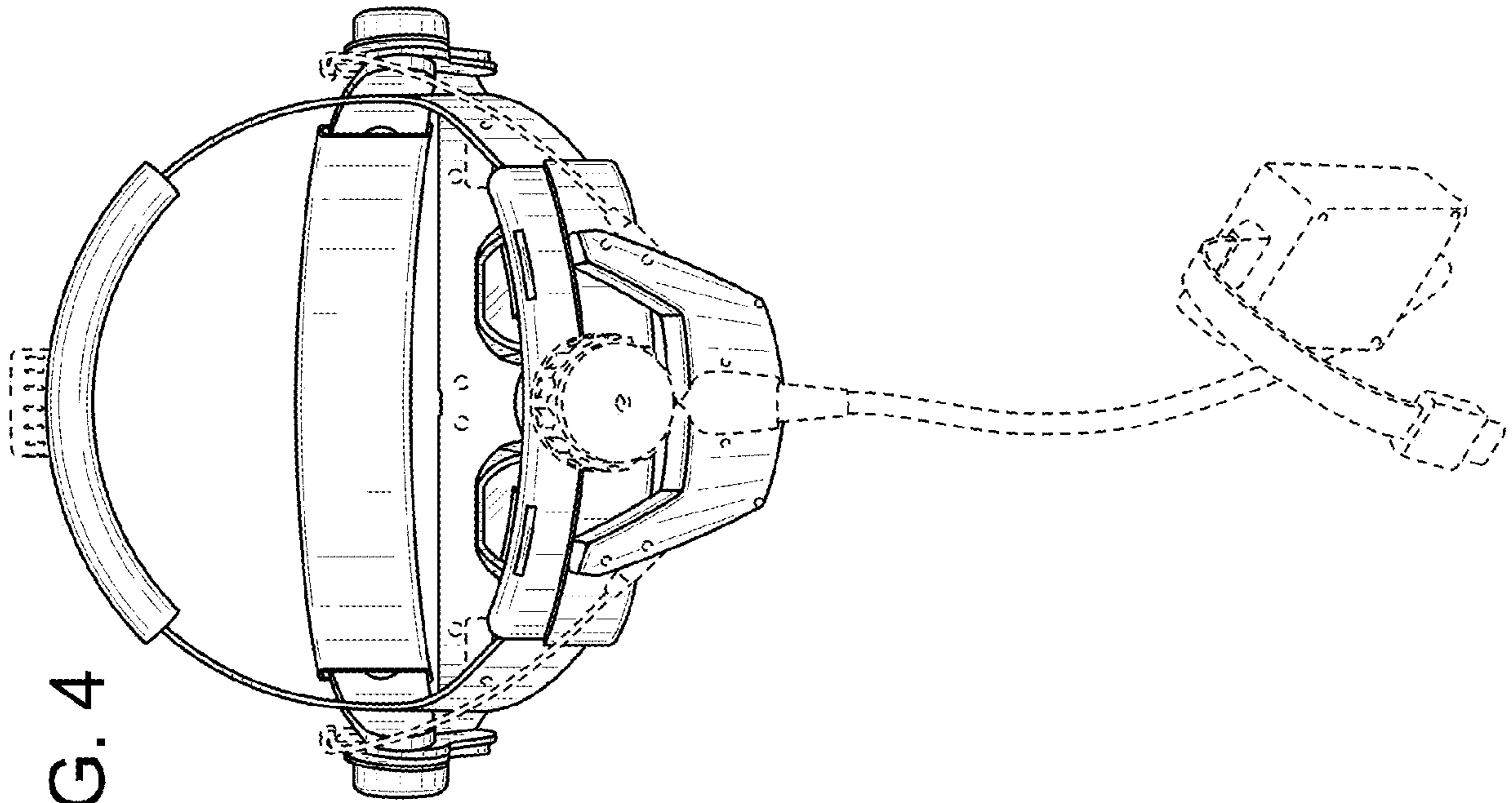


FIG. 4

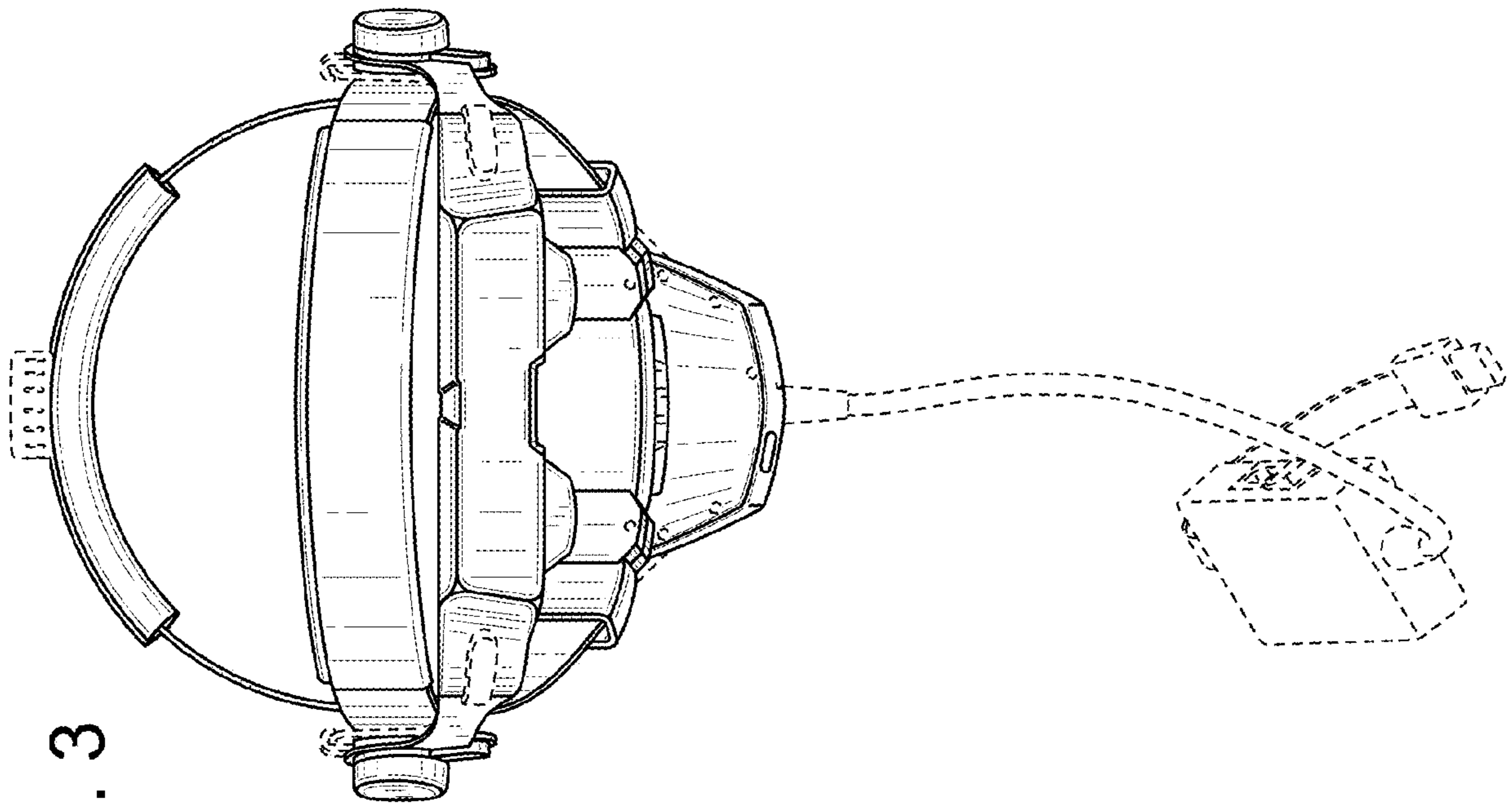


FIG. 3

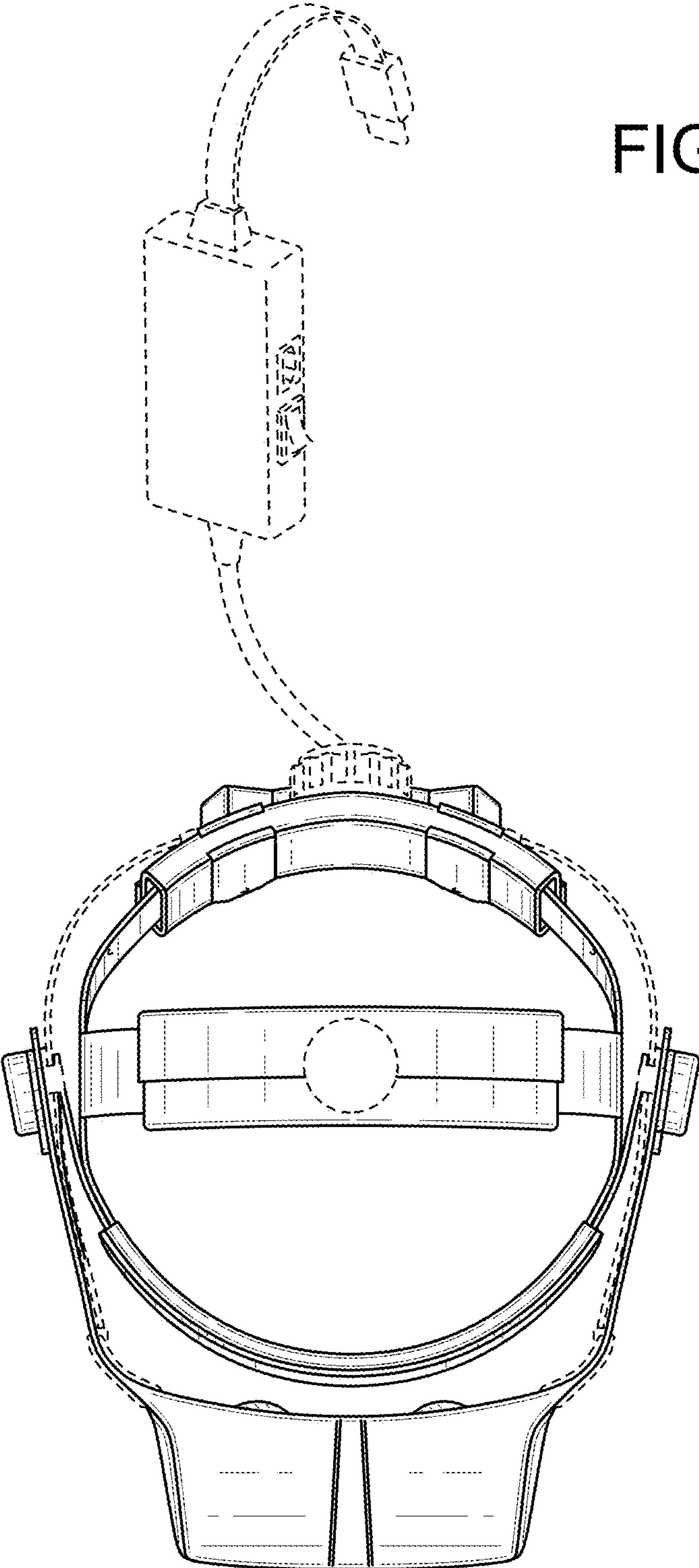
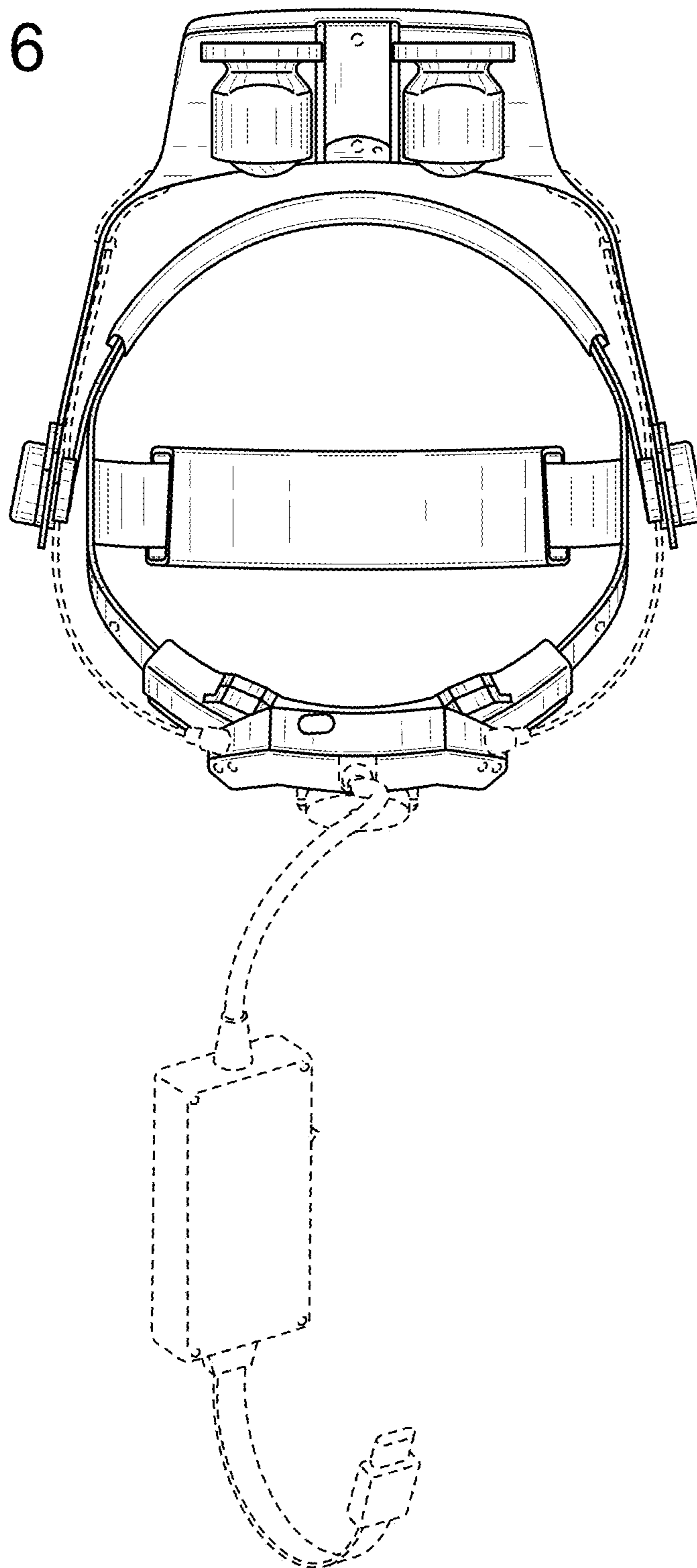


FIG. 5

FIG. 6



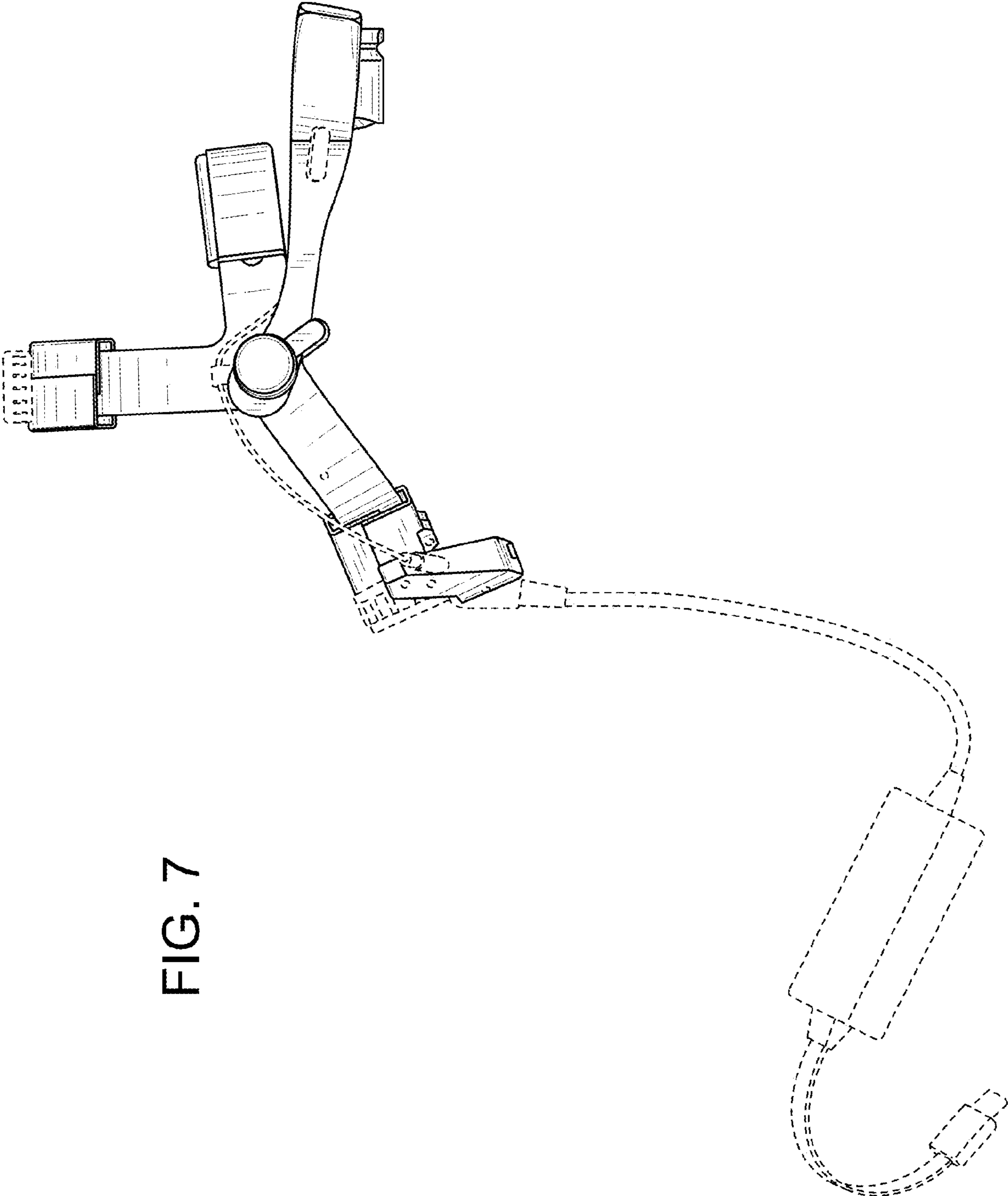


FIG. 7

FIG. 8

