



US00D992523S

(12) **United States Design Patent**
Hogan et al.

(10) **Patent No.:** **US D992,523 S**
(45) **Date of Patent:** **** Jul. 18, 2023**

(54) **ELECTRONIC DEVICE**

(71) Applicant: **Roku, Inc.**, San Jose, CA (US)
(72) Inventors: **Gregory Michael Hogan**, Dublin, CA (US); **Paul Nangeroni**, San Francisco, CA (US); **Fred Bould**, Menlo Park, CA (US); **Jeremy Wolf**, San Francisco, CA (US); **Calvin Patrick Henderson**, Brisbane, CA (US)

(73) Assignee: **Roku, Inc.**, San Jose, CA (US)

(**) Term: **15 Years**

(21) Appl. No.: **29/778,950**

(22) Filed: **Apr. 15, 2021**

(51) **LOC (14) Cl.** **14-01**

(52) **U.S. Cl.**
USPC **D14/203.3**; D14/480.1

(58) **Field of Classification Search**
USPC D13/139.7, 162, 162.1; D14/125, 238.1, D14/239, 357, 358, 383, 385, 387, 432, D14/433, 434, 435, 435.1, 436, 438, 475, D14/480.1, 480.2, 480.3, 480.4, 480.5, D14/480.6, 480.7, 483, 484.1, 299; D21/324, 332, 333
CPC . H04W 88/00; H04W 88/085; H04W 88/005; H04N 21/4104; H04N 21/418; H04N 5/40; H05K 7/00; H05K 9/0015; H05K 5/02; H05K 5/0269; H05K 5/0278; H05K 5/0273; H05K 5/0256; H05K 5/026; H05K 5/061; G06F 1/16; G06F 1/1632; G06F 1/266; G06F 2213/0042; G06F 2213/3814; G06F 2213/40; G06F 2213/4004; G05B 2219/34436; G16H 10/65; G06K 19/07732; G06K 19/077;
(Continued)

(56) **References Cited**

U.S. PATENT DOCUMENTS

7,035,110 B1 * 4/2006 Wang H05K 5/0278 361/752
D530,340 S * 10/2006 Andre D14/203.3
D531,190 S * 10/2006 Lee D14/203.3

(Continued)

FOREIGN PATENT DOCUMENTS

CN 305537104 * 1/2020
DE 402016202716-000 * 9/2016

(Continued)

OTHER PUBLICATIONS

Johnston, Casey, "The Streaming stick wars begin with Roku's purple dongle," arstechnica.com, Mar. 4, 2014, Available at <https://arstechnica.com/gadgets/2014/03/the-streaming-stick-wars-begin-with-rokus-purple-dongle/>.

(Continued)

Primary Examiner — Marie D. Fast Horse
Assistant Examiner — Josiah D. Parsons
(74) *Attorney, Agent, or Firm* — Sterne, Kessler, Goldstein & Fox P.L.L.C.

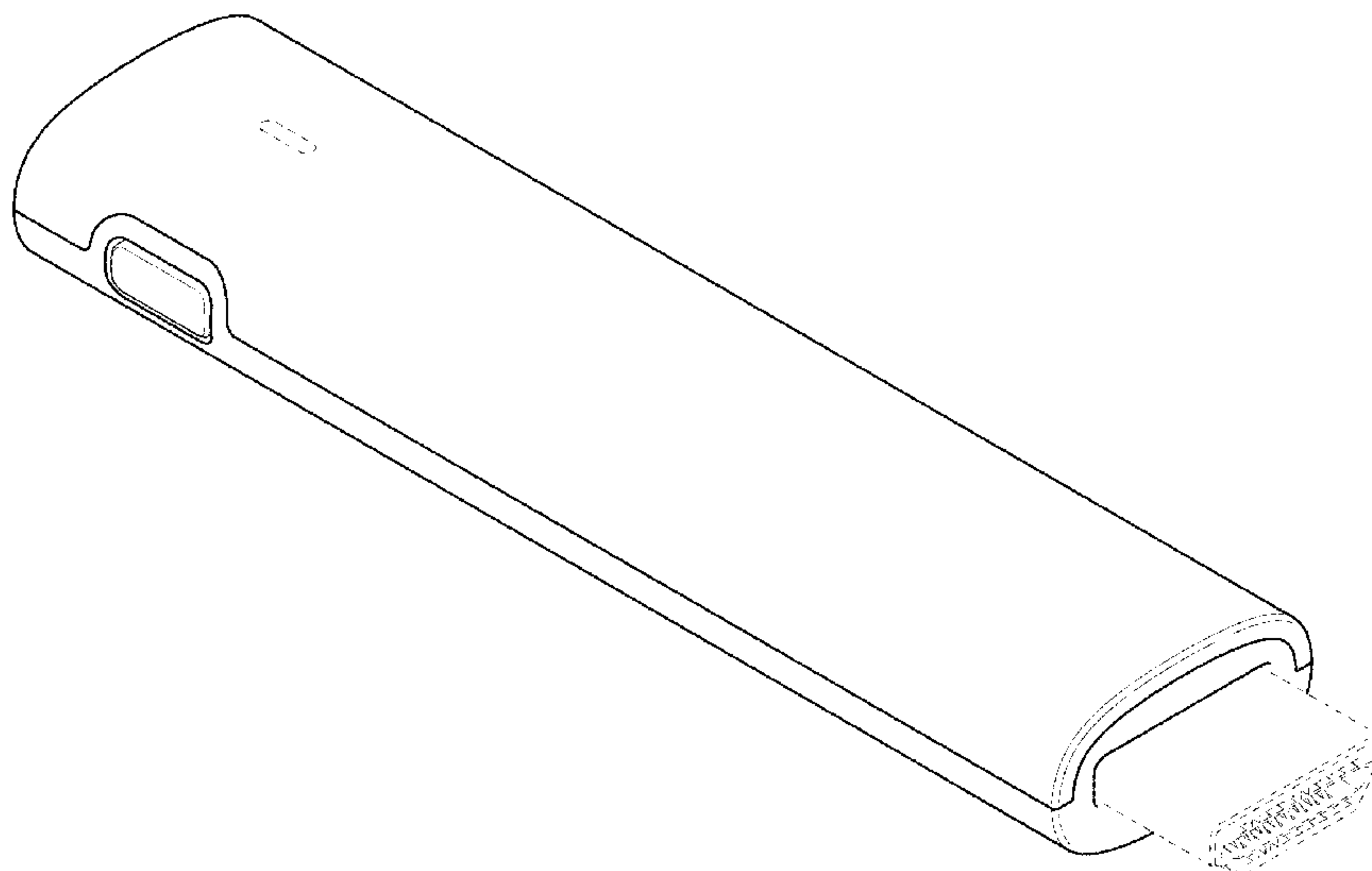
(57) **CLAIM**

The ornamental design for electronic device, as shown and described.

DESCRIPTION

FIG. 1 is a top perspective view of an electronic device showing the claimed design;
FIG. 2 is a bottom perspective view thereof;
FIG. 3 is a front view thereof;
FIG. 4 is a rear view thereof;
FIG. 5 is a left side view thereof;
FIG. 6 is a right side view thereof;
FIG. 7 is a top view thereof; and,
FIG. 8 is a bottom view thereof.
The broken lines in the figures show portions of the electronic device that form no part of the claimed design.

1 Claim, 5 Drawing Sheets



(58) **Field of Classification Search**

CPC G06K 19/07701; G06K 19/07705; G06K
19/07709

See application file for complete search history.

(56) **References Cited**

U.S. PATENT DOCUMENTS

D537,820 S * 3/2007 Hsu D14/480.1
 D538,297 S * 3/2007 Ching D14/203.3
 D539,813 S * 4/2007 Chen D14/203.3
 D576,619 S * 9/2008 Udagawa D14/435.1
 D582,419 S * 12/2008 Sheba D14/480.5
 D585,077 S * 1/2009 Sheba D14/496
 D592,677 S * 5/2009 Sheba D14/496
 D620,018 S * 7/2010 Nan D14/480.7
 D624,920 S * 10/2010 Sheppard D14/435.1
 D631,885 S * 2/2011 Maier D14/435.1
 D634,326 S * 3/2011 Gehrke D14/435.1
 D647,101 S * 10/2011 Huang D14/480.7
 D656,496 S * 3/2012 Andre D14/496
 D670,297 S * 11/2012 Huang D14/480.5
 D675,630 S * 2/2013 Ni D14/480.1
 D679,248 S * 4/2013 Choi D13/147
 D679,250 S * 4/2013 Choi D13/147
 D687,042 S * 7/2013 Yoneta D14/480.5
 D714,728 S * 10/2014 Gentil D13/147
 D736,148 S * 8/2015 Liu D14/480.1
 D736,150 S * 8/2015 Liu D14/480.1
 D753,090 S * 4/2016 Langhammer D14/203.3
 D799,497 S * 10/2017 Piron D14/480.1

D845,964 S * 4/2019 Kim D14/480.5
 D868,794 S * 12/2019 Jun D14/480.5
 D909,397 S * 2/2021 Bolotin D14/480.5
 D913,583 S * 3/2021 Leon Duque D27/194
 D913,992 S * 3/2021 Huang D14/218
 D927,503 S * 8/2021 Li D14/480.1
 2015/0278147 A1* 10/2015 Cerrelli G06F 13/382
710/302
 2016/0345626 A1* 12/2016 Wong A24F 40/90

FOREIGN PATENT DOCUMENTS

EM 002921890-0001 * 6/2017
 KR 20140021808 A * 8/2012

OTHER PUBLICATIONS

Honorof, Marshall, "Roku Streaming Stick (2016) Review—Stick with It," tomguide.com, Available as early as Apr. 16, 2016, Available at <https://www.tomsguide.com/us/roku-streaming-stick-2016,review-3545.html>.
 Yuen, Ced, "Roku Streaming Stick Plus" trustedreviews.com, Feb. 6, 2019, Available at <https://www.trustedreviews.com/reviews/roku-streaming-stick-plus-review>.
 Newman, Jared, "Roku Streaming Stick and Stick+ review: A new remote makes a big difference" techhive.com, Jul. 15, 2019, Available at <https://www.techhive.com/article/3232363/roku-streaming-stick-review-roku-streaming-stick-plus-review.html>.

* cited by examiner

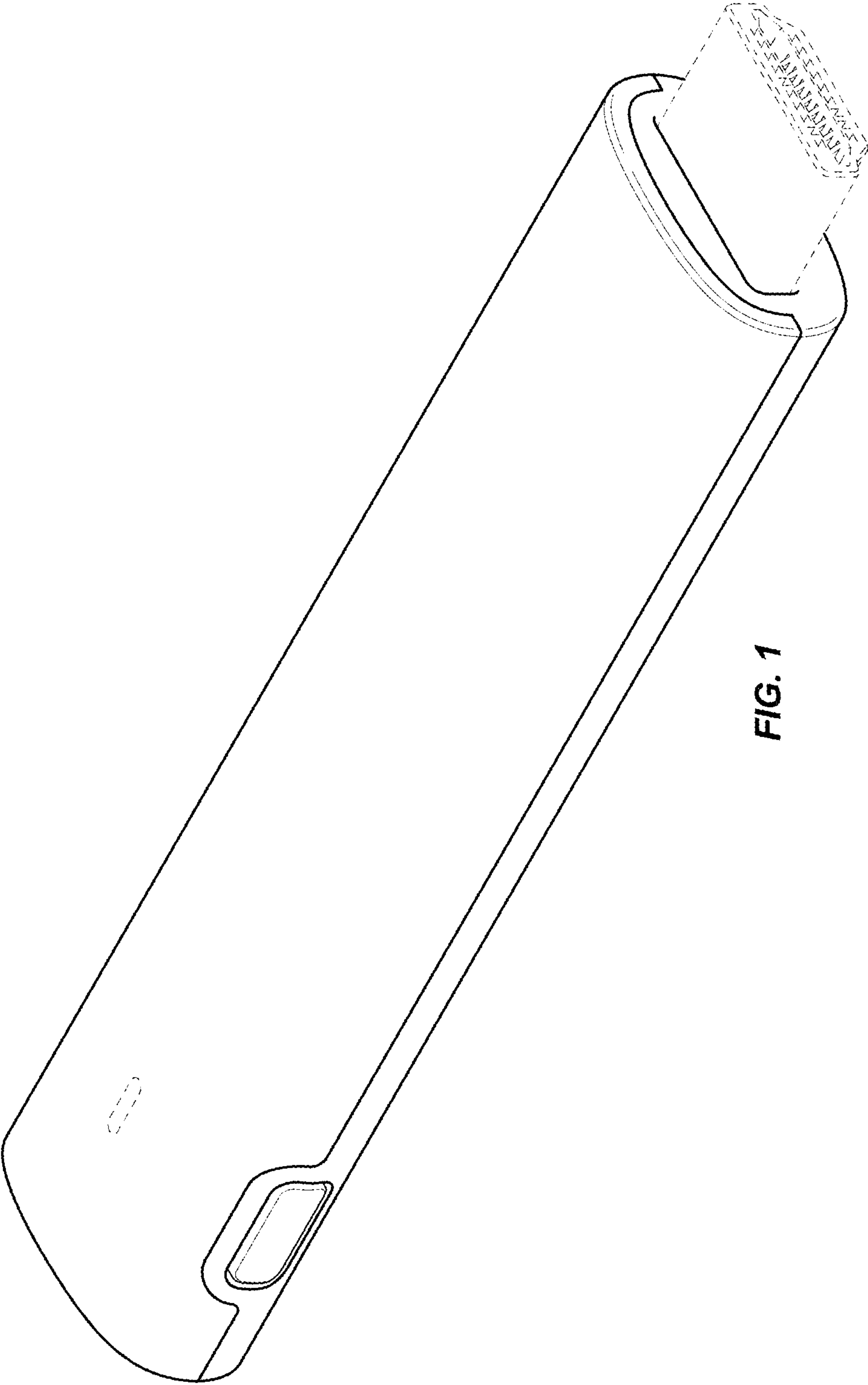
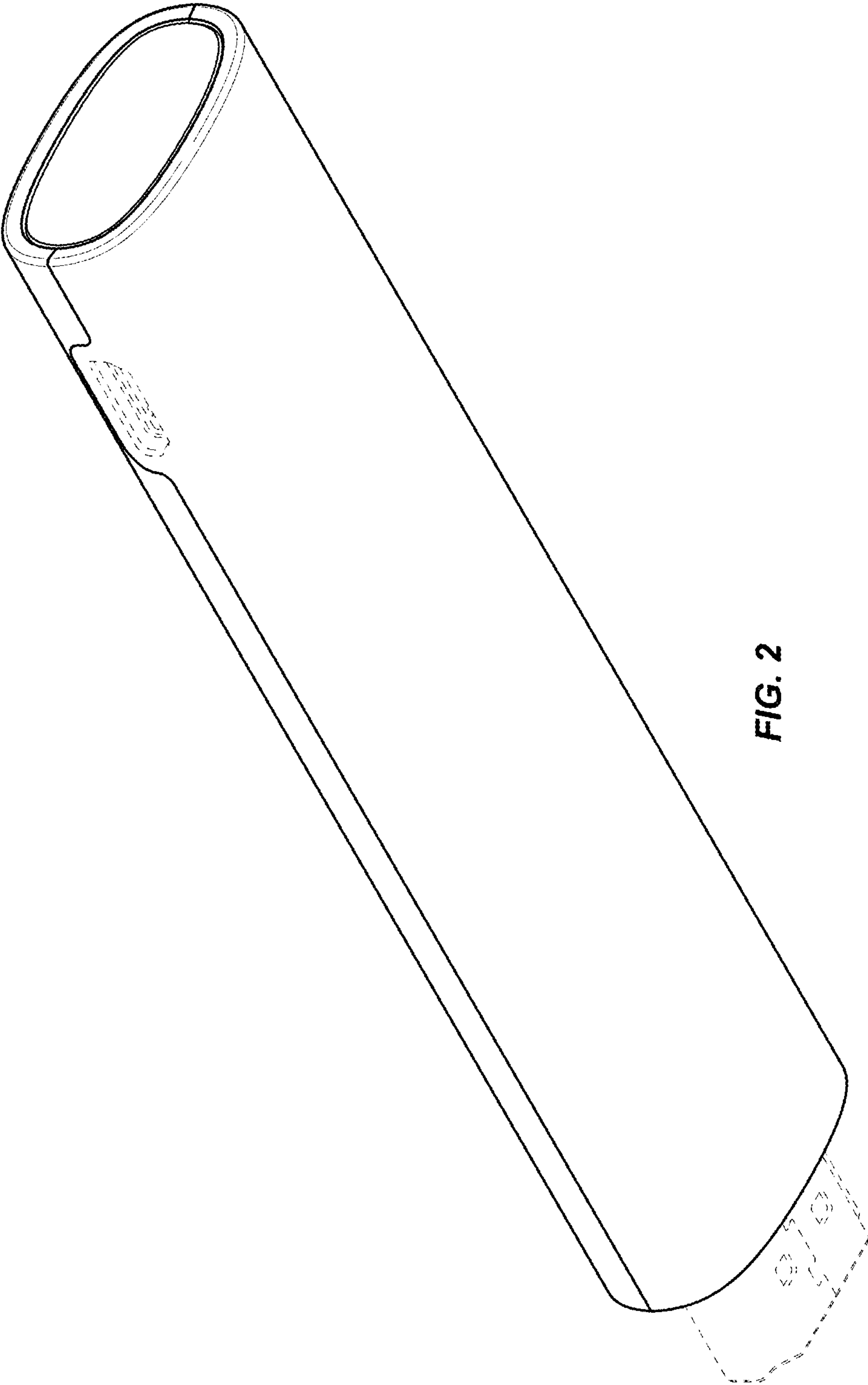


FIG. 1



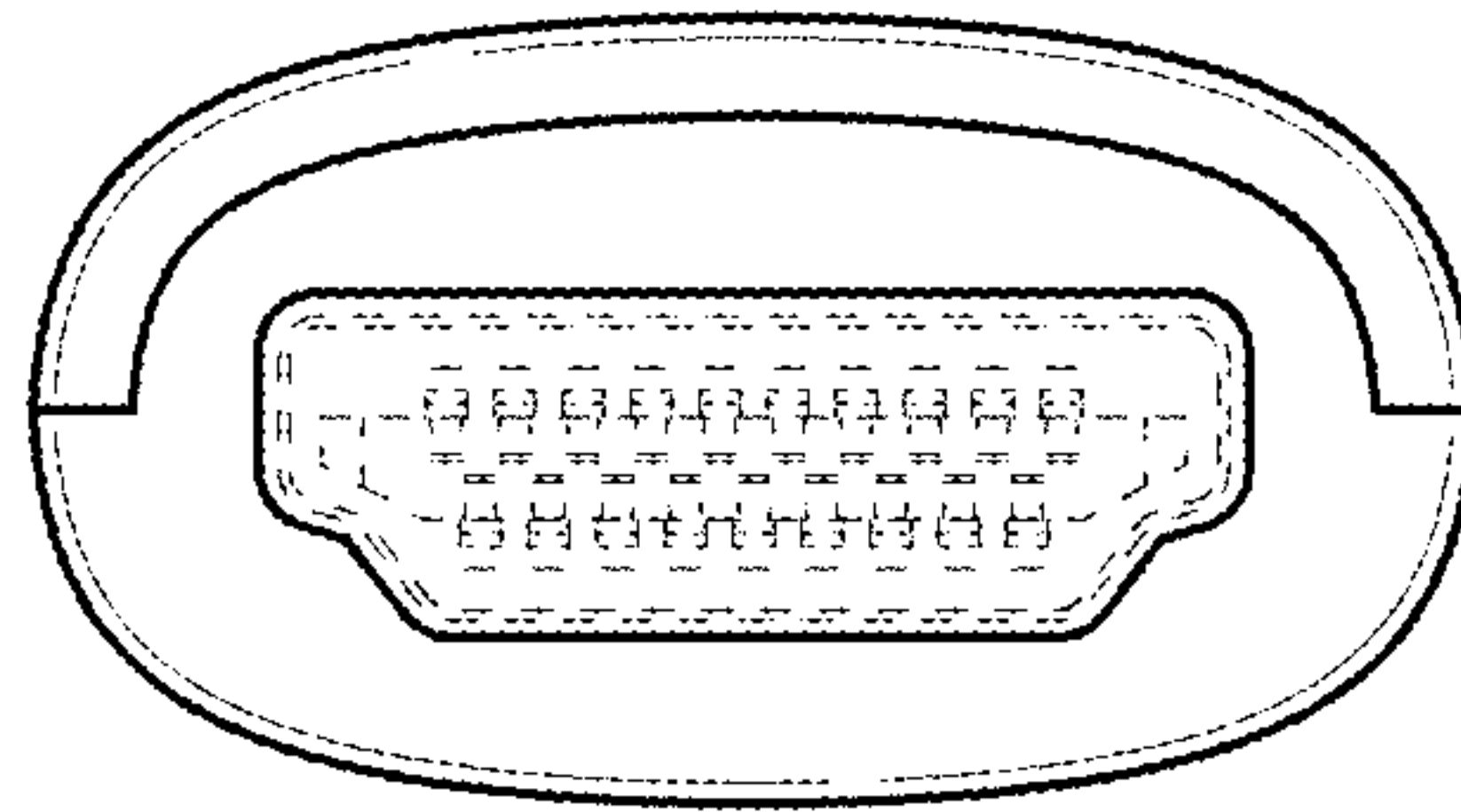


FIG. 3

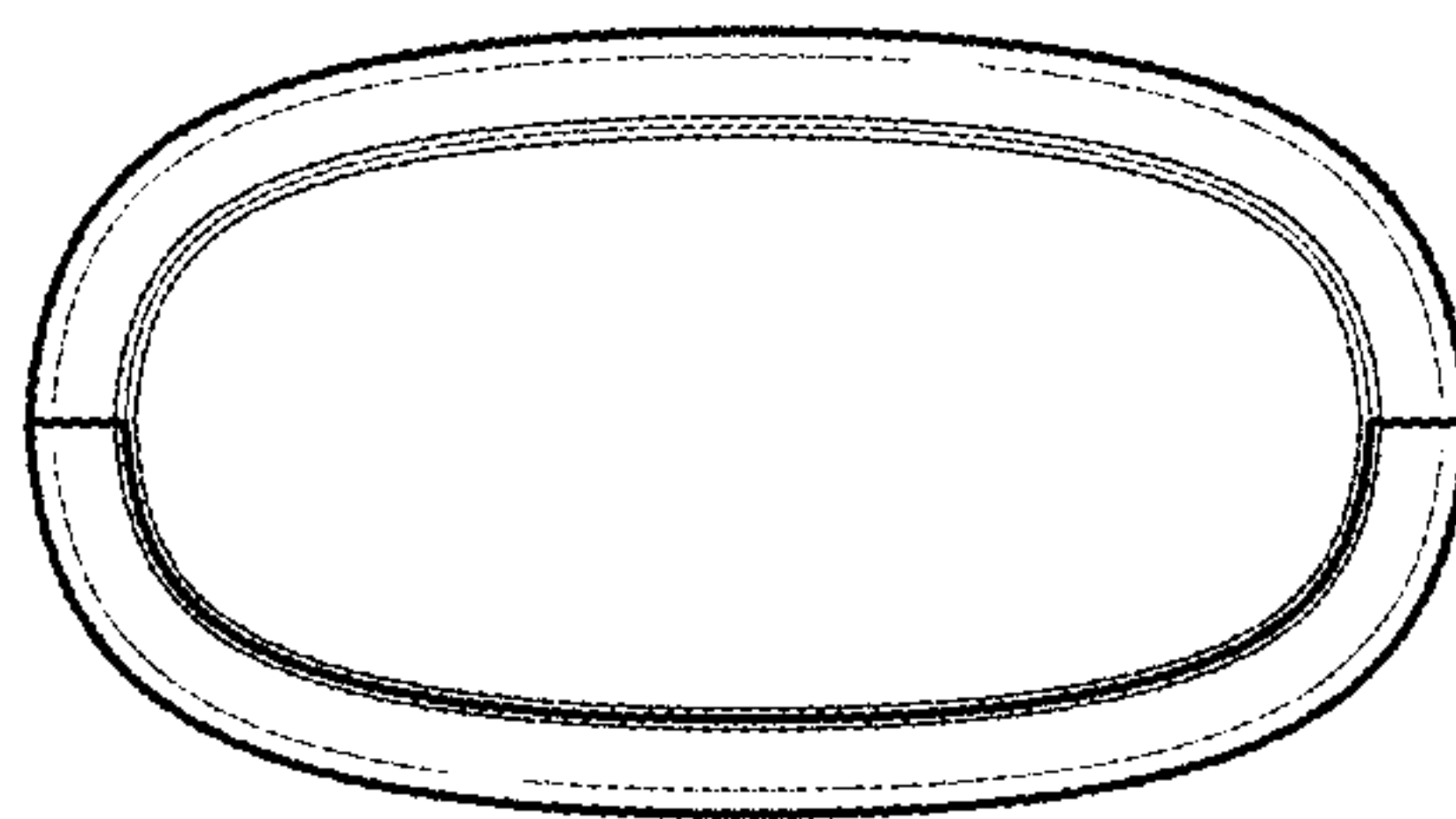


FIG. 4

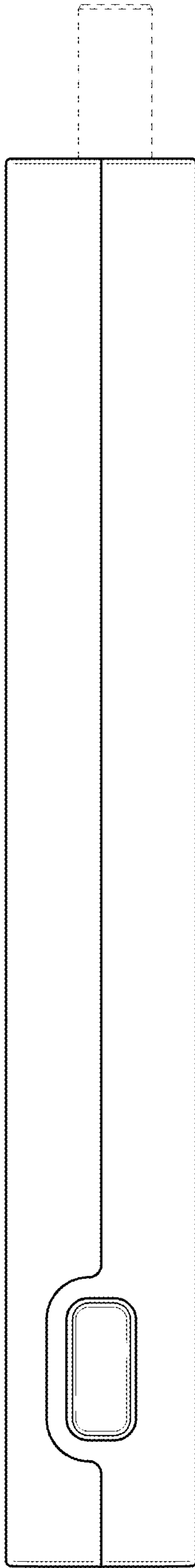


FIG. 5

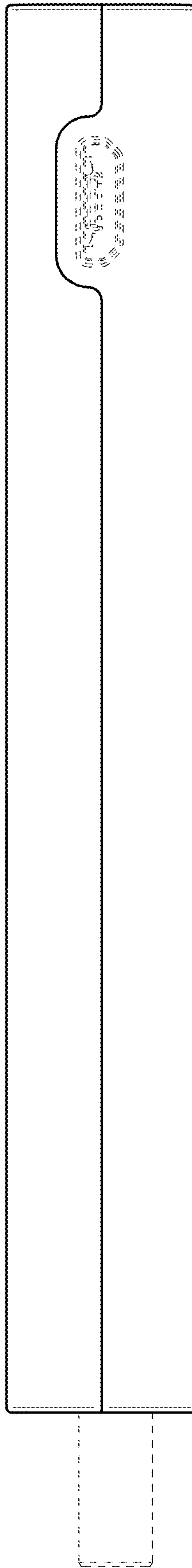


FIG. 6

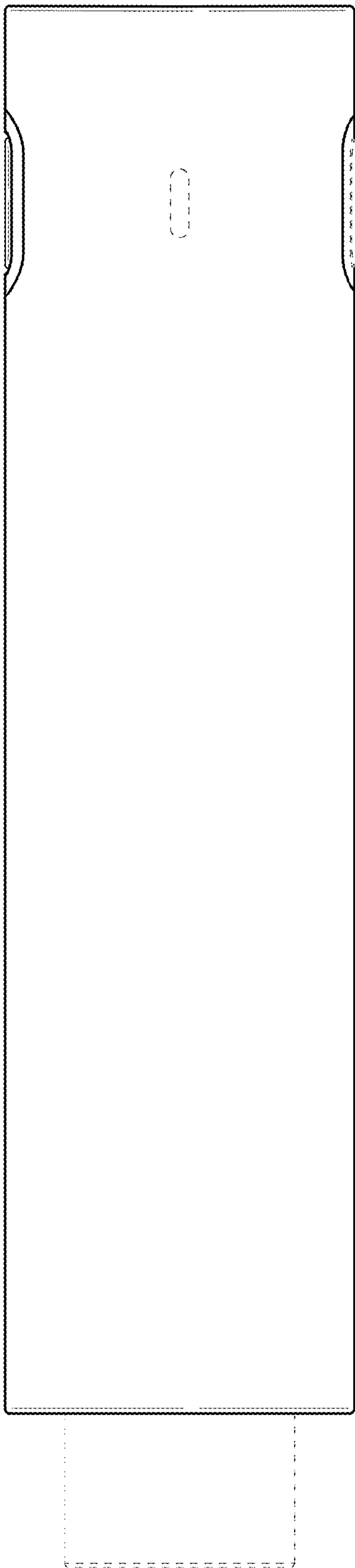


FIG. 7

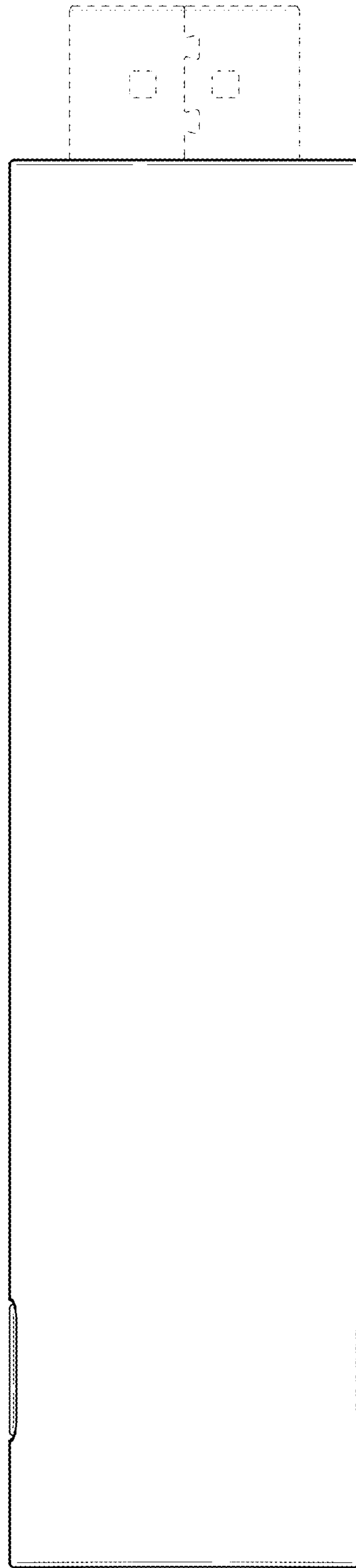


FIG. 8