



US00D992490S

(12) **United States Design Patent**
Shaver

(10) **Patent No.:** **US D992,490 S**

(45) **Date of Patent:** **** Jul. 18, 2023**

(54) **GRILL MOUNT**

(71) Applicant: **SpecMaster Inc.**, Denver, CO (US)

(72) Inventor: **Bill Shaver**, Denver, CO (US)

(73) Assignee: **SpecMaster Inc.**, Denver, CO (US)

(**) Term: **15 Years**

(21) Appl. No.: **29/798,587**

(22) Filed: **Jul. 8, 2021**

(51) **LOC (14) Cl.** **12-16**

(52) **U.S. Cl.**
USPC **D12/408**

(58) **Field of Classification Search**
USPC D12/406-414; D32/35, 58; D6/513-514,
D6/317-319
CPC B62J 9/003; B62J 7/06; B62J 9/001
See application file for complete search history.

(56) **References Cited**

U.S. PATENT DOCUMENTS

D653,193 S *	1/2012	Chisholm	D12/408
D656,456 S *	3/2012	Tinstman	D12/408
D751,971 S *	3/2016	Patel	D12/406
D813,784 S *	3/2018	Larsson	D12/406
D865,644 S *	11/2019	Furuya	D12/408
D873,759 S *	1/2020	Viklund	D12/408
D877,685 S *	3/2020	Larsson	D12/406

10,737,605 B1 *	8/2020	White	B60R 9/06
D895,530 S *	9/2020	Lathrop	D12/412
D906,223 S *	12/2020	Larsson	D12/406
D958,722 S *	7/2022	Yang	D8/499
D978,059 S *	2/2023	Huang	D12/408
2022/0161617 A1 *	5/2022	Bowe	B60D 1/04

* cited by examiner

Primary Examiner — Katrina A Betton

(74) *Attorney, Agent, or Firm* — Polsinelli PC

(57) **CLAIM**

The ornamental design for a grill mount, as shown and described.

DESCRIPTION

FIG. 1 is a top perspective view of a grill mount showing our new design.

FIG. 2 is a bottom perspective view thereof.

FIG. 3 is a front view thereof.

FIG. 4 is a back view thereof.

FIG. 5 is a right side view thereof.

FIG. 6 is a left side view thereof.

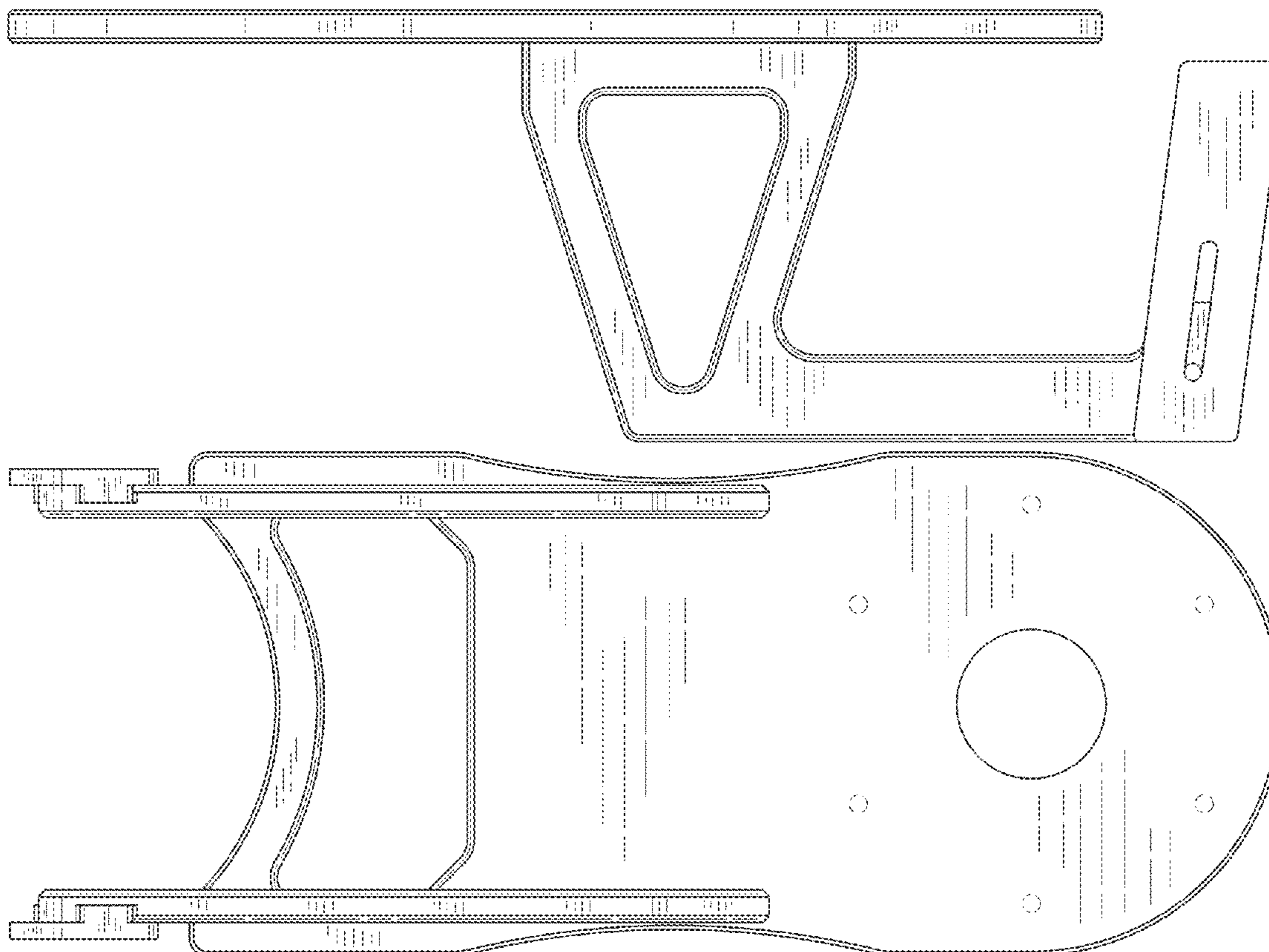
FIG. 7 is a top view thereof; and,

FIG. 8 is a bottom view thereof.

The broken lines shown in the Figures are environment or show portions of the grill mount that form no part of the claimed design.

The shade lines in the Figures show contour and do not claim surface ornamentation or treatment.

1 Claim, 8 Drawing Sheets



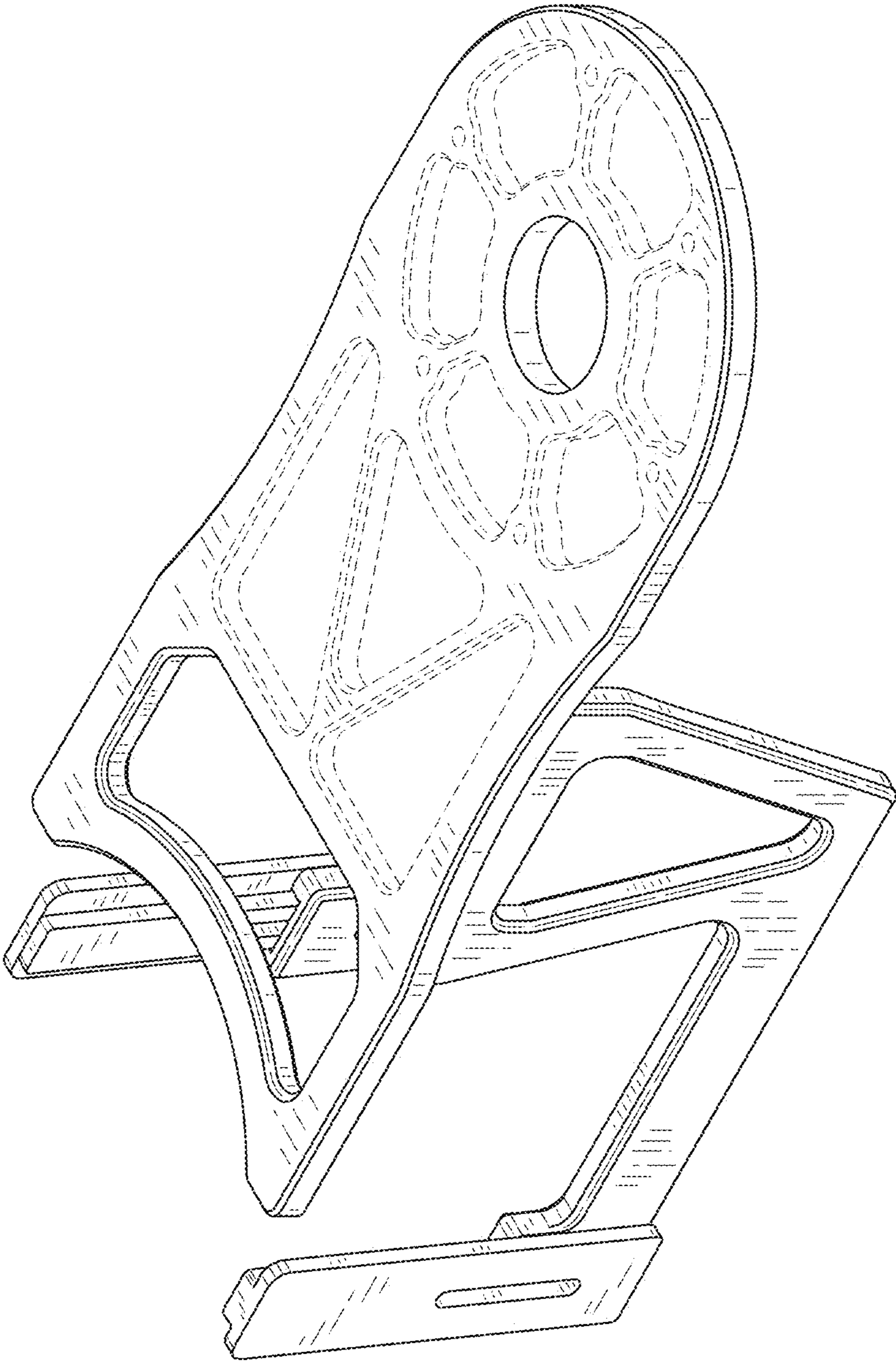


FIG.1

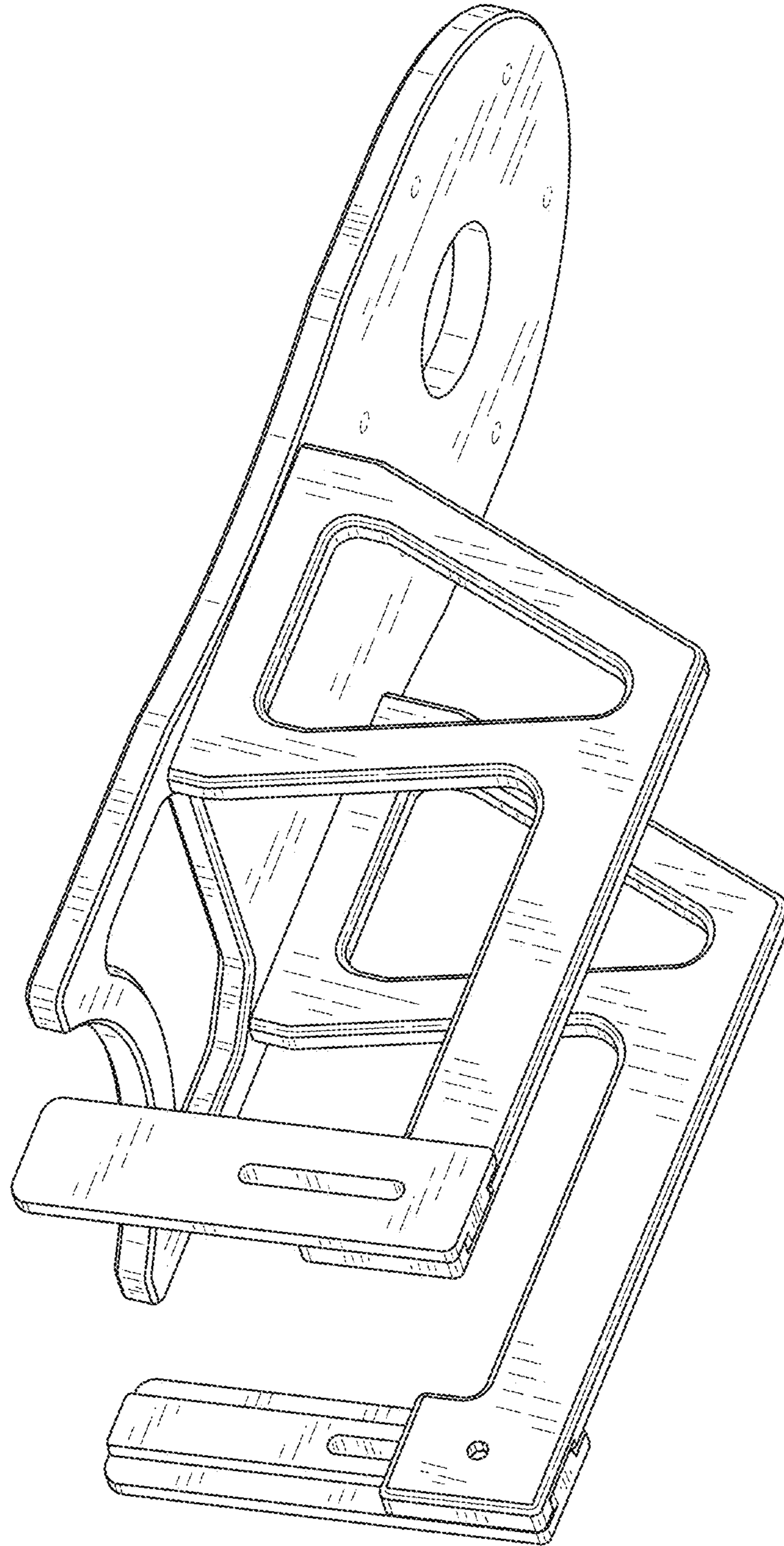


FIG.2

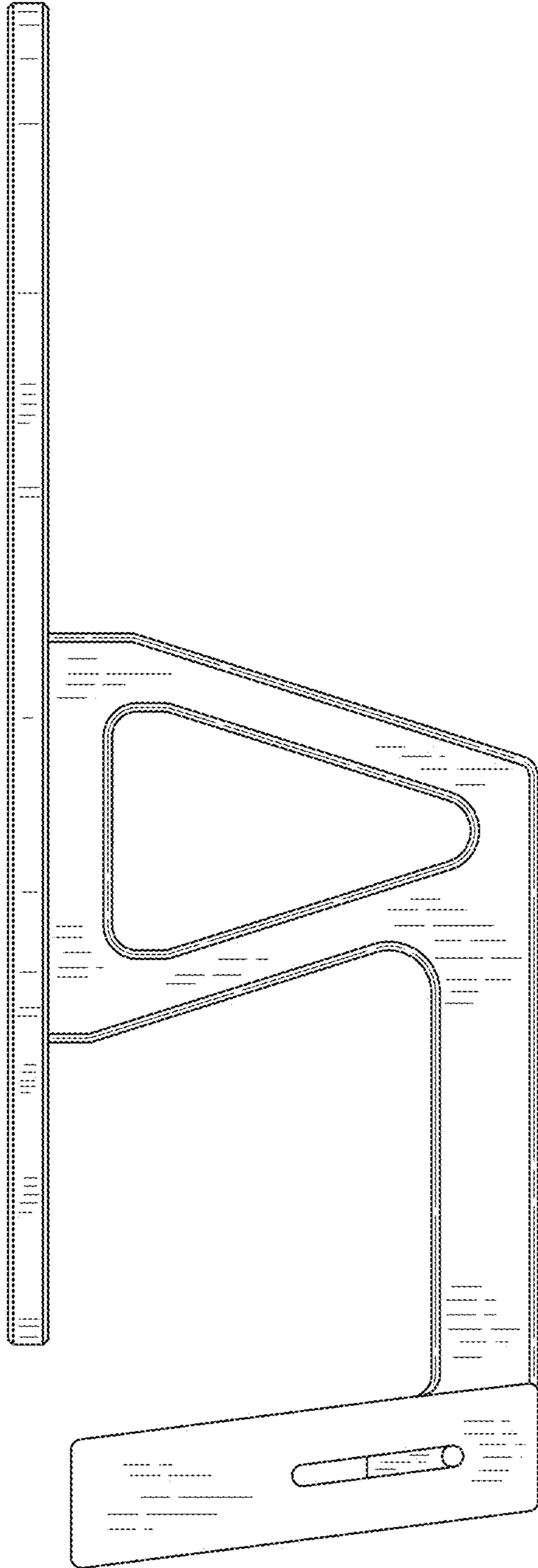


FIG.3

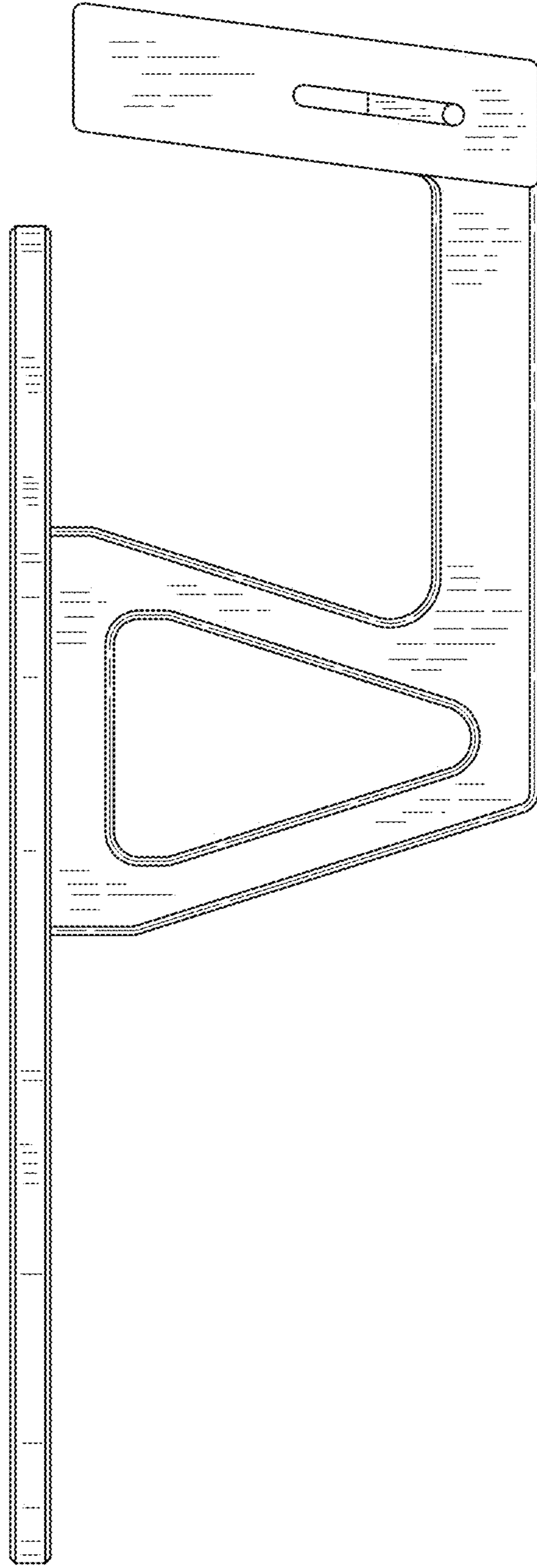


FIG.4

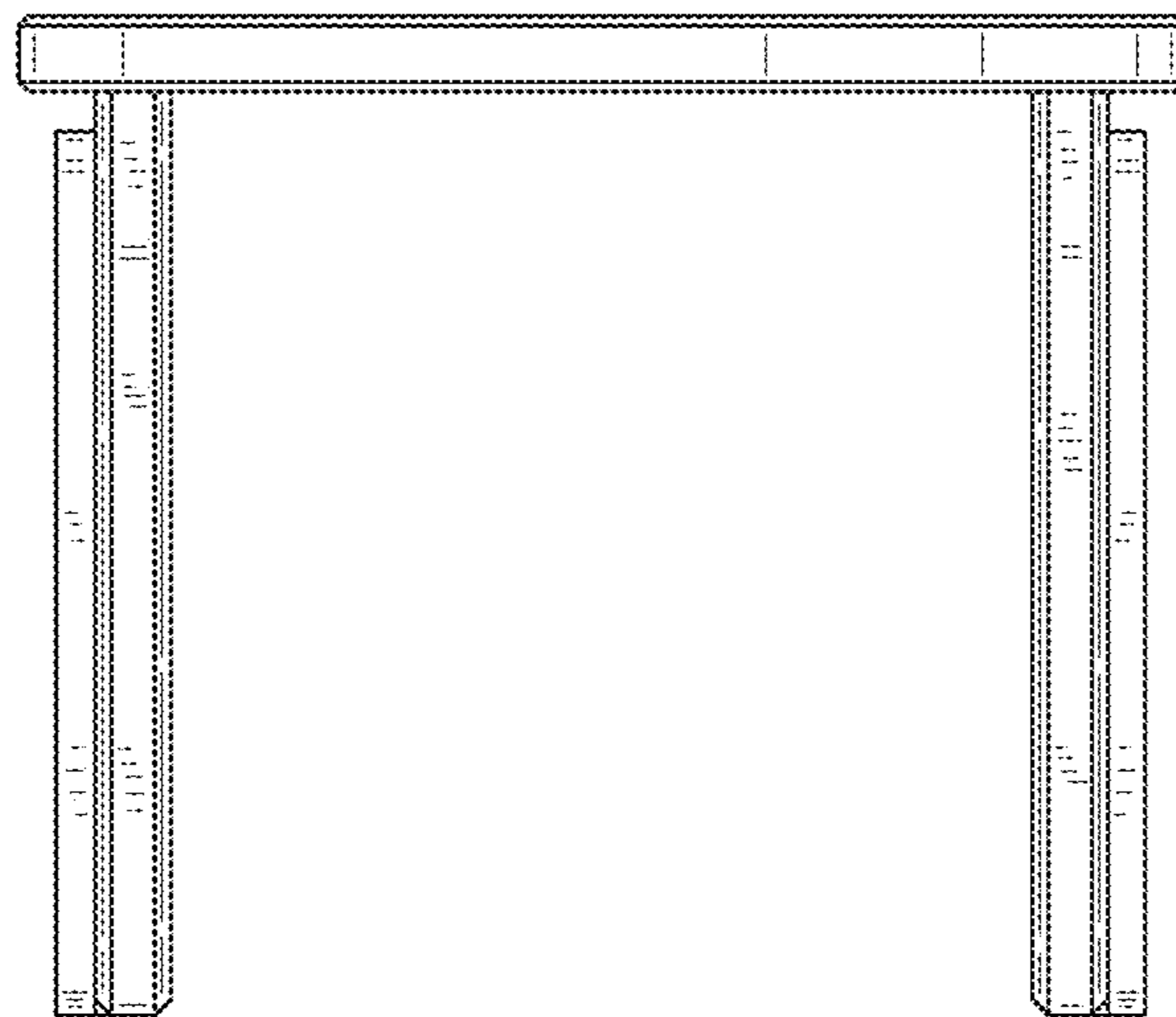


FIG.5

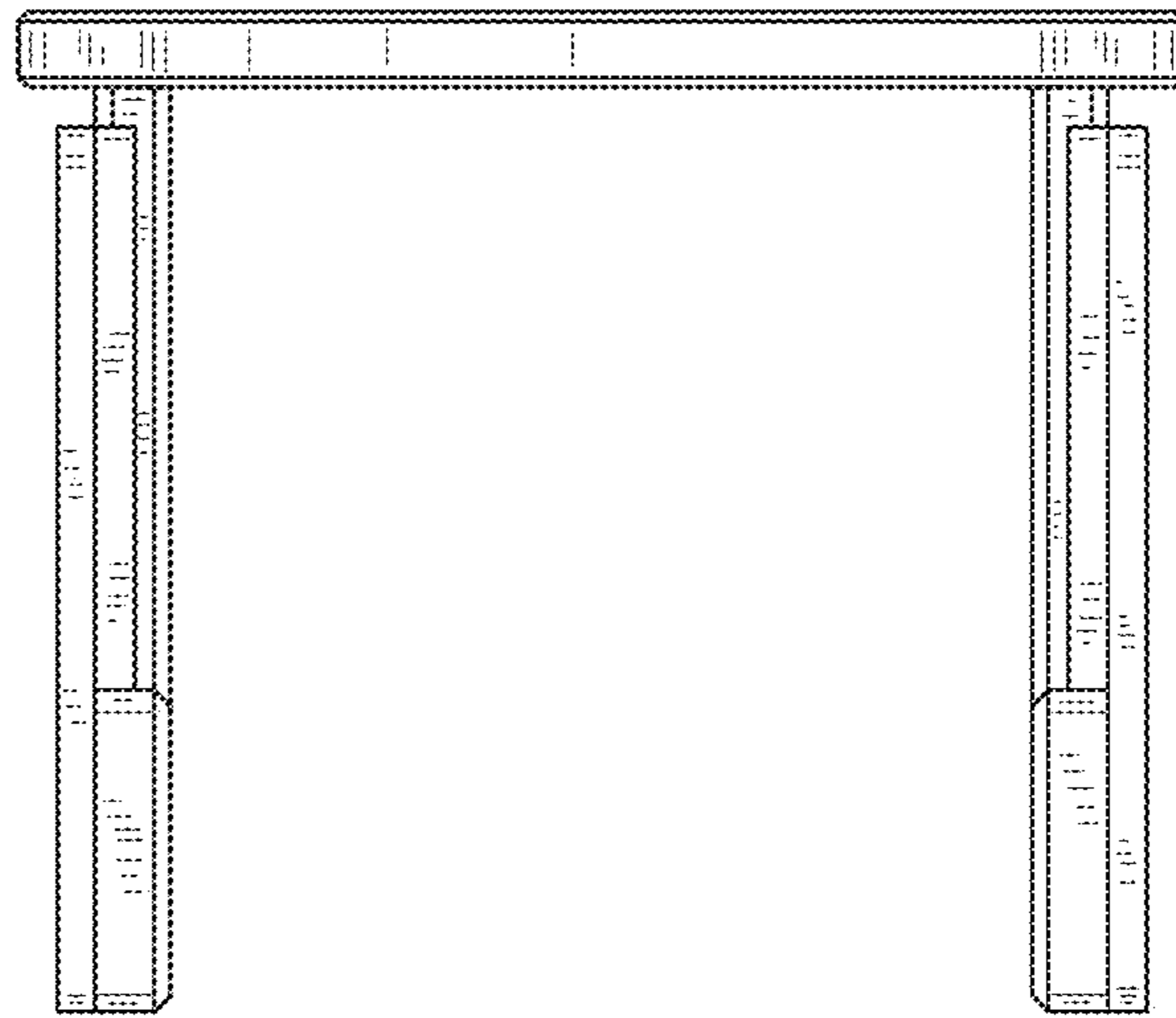


FIG.6

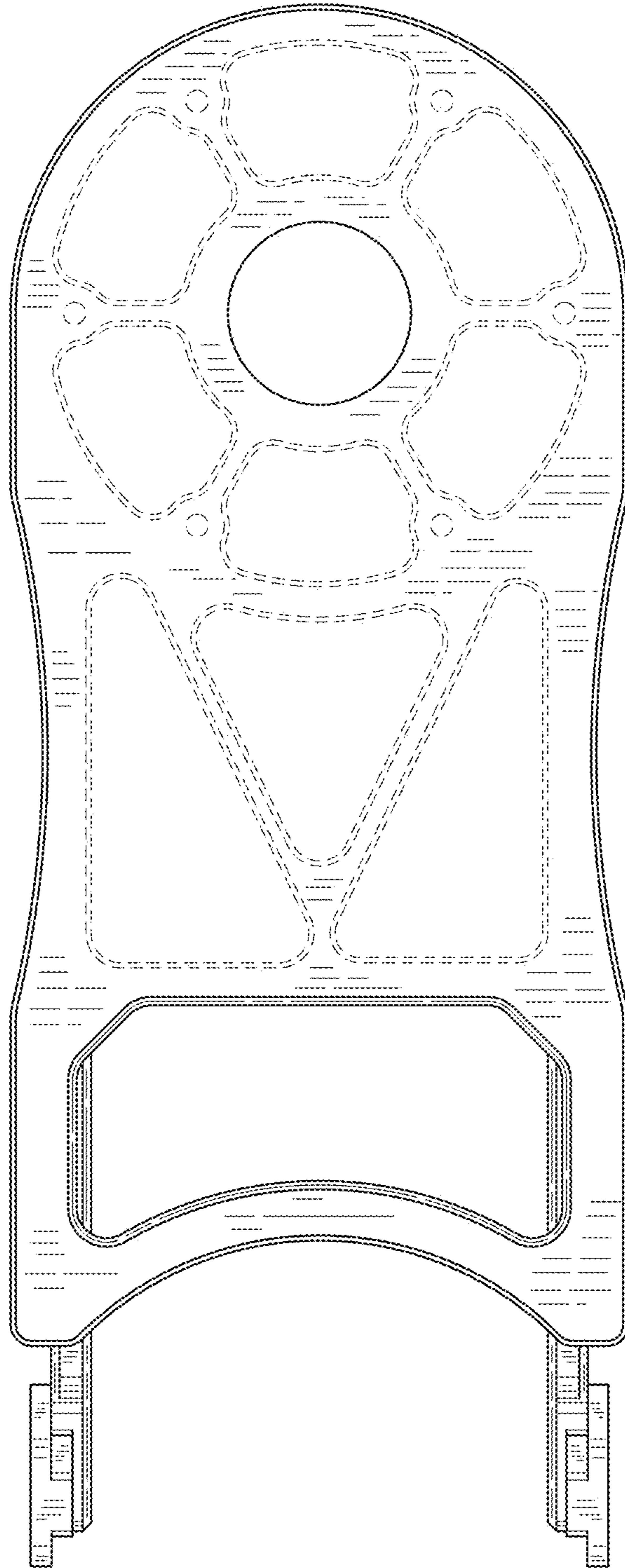


FIG.7

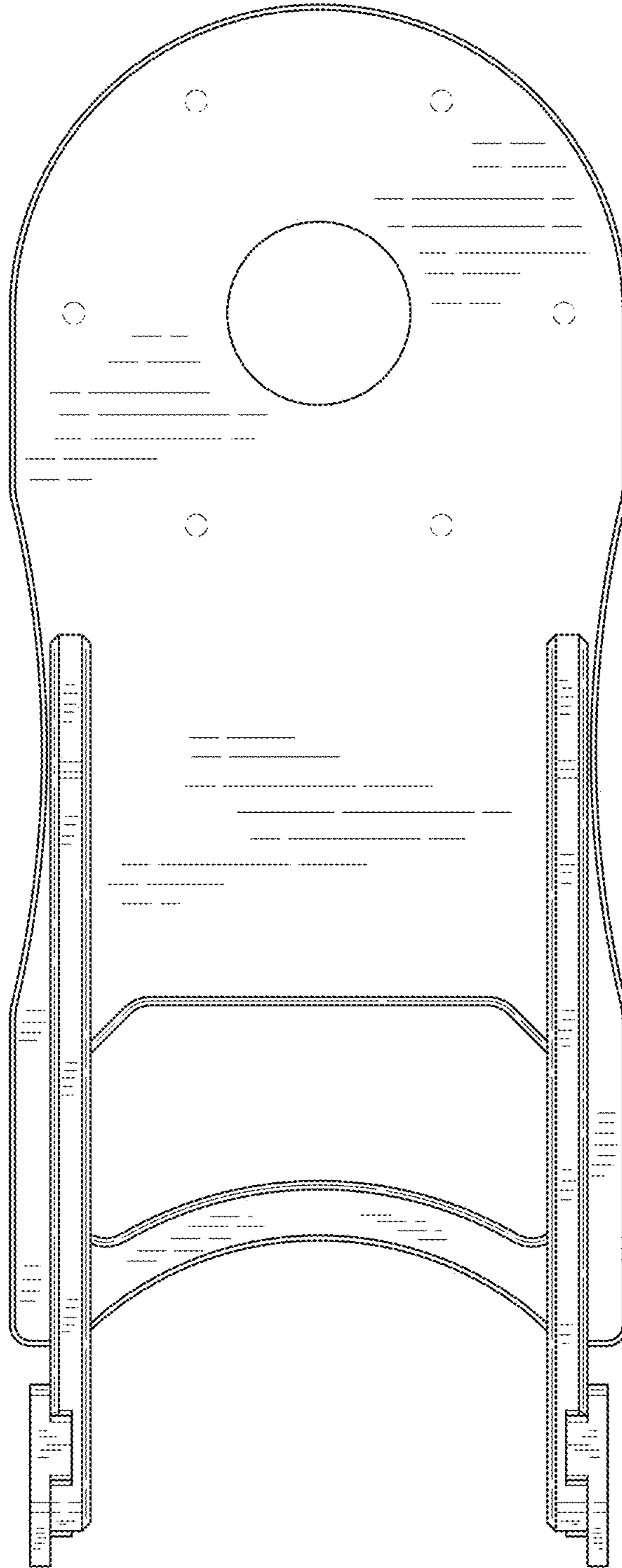


FIG. 8